



US00D903887S

(12) **United States Design Patent** (10) **Patent No.:** **US D903,887 S**  
**Althoff et al.** (45) **Date of Patent:** **\*\* \*Dec. 1, 2020**

(54) **HANDHELD ACNE TREATMENT WAND**

FOREIGN PATENT DOCUMENTS

(71) Applicant: **Johnson & Johnson Consumer Inc.**,  
Skillman, NJ (US)

CN 2820217 Y 9/2006  
CN 201643438 U 11/2010

(Continued)

(72) Inventors: **Charles Peter Althoff**, New York, NY  
(US); **Bradley Feild Craddock**, San  
Francisco, CA (US); **Jay P. Tapper**,  
Wayne, PA (US)

OTHER PUBLICATIONS

Olivia Holt Spills Her Biggest Skincare Woe, posted at usmagazine.  
com, posted May 31, 2017, online, URL:https://www.usmagazine.  
com/stylish/news/olivia-holts-biggest-skincare-problem-is-super-  
relatable-w485065/ (Year: 2017).\*

(Continued)

(73) Assignee: **Johnson & Johnson Consumer Inc.**,  
Skillman, NJ (US)

(\* ) Notice: This patent is subject to a terminal dis-  
claimer.

*Primary Examiner* — Lilyana Bekic

*Assistant Examiner* — Mary Shannon Malley

(\*\*) Term: **15 Years**

(21) Appl. No.: **29/609,226**

(57) **CLAIM**

(22) Filed: **Jun. 29, 2017**

We claim the ornamental design for a handheld acne treat-  
ment wand, as shown and described.

**Related U.S. Application Data**

**DESCRIPTION**

(60) Continuation-in-part of application No. 14/747,145,  
filed on Jun. 23, 2015, now Pat. No. 10,092,770,  
(Continued)

(51) **LOC (12) Cl.** ..... **24-01**

(52) **U.S. Cl.**  
USPC ..... **D24/209**

(58) **Field of Classification Search**  
USPC ..... D24/107, 186, 158, 231, 200, 209, 210,  
D24/214, 215, 187, 133, 146, 147, 211,  
(Continued)

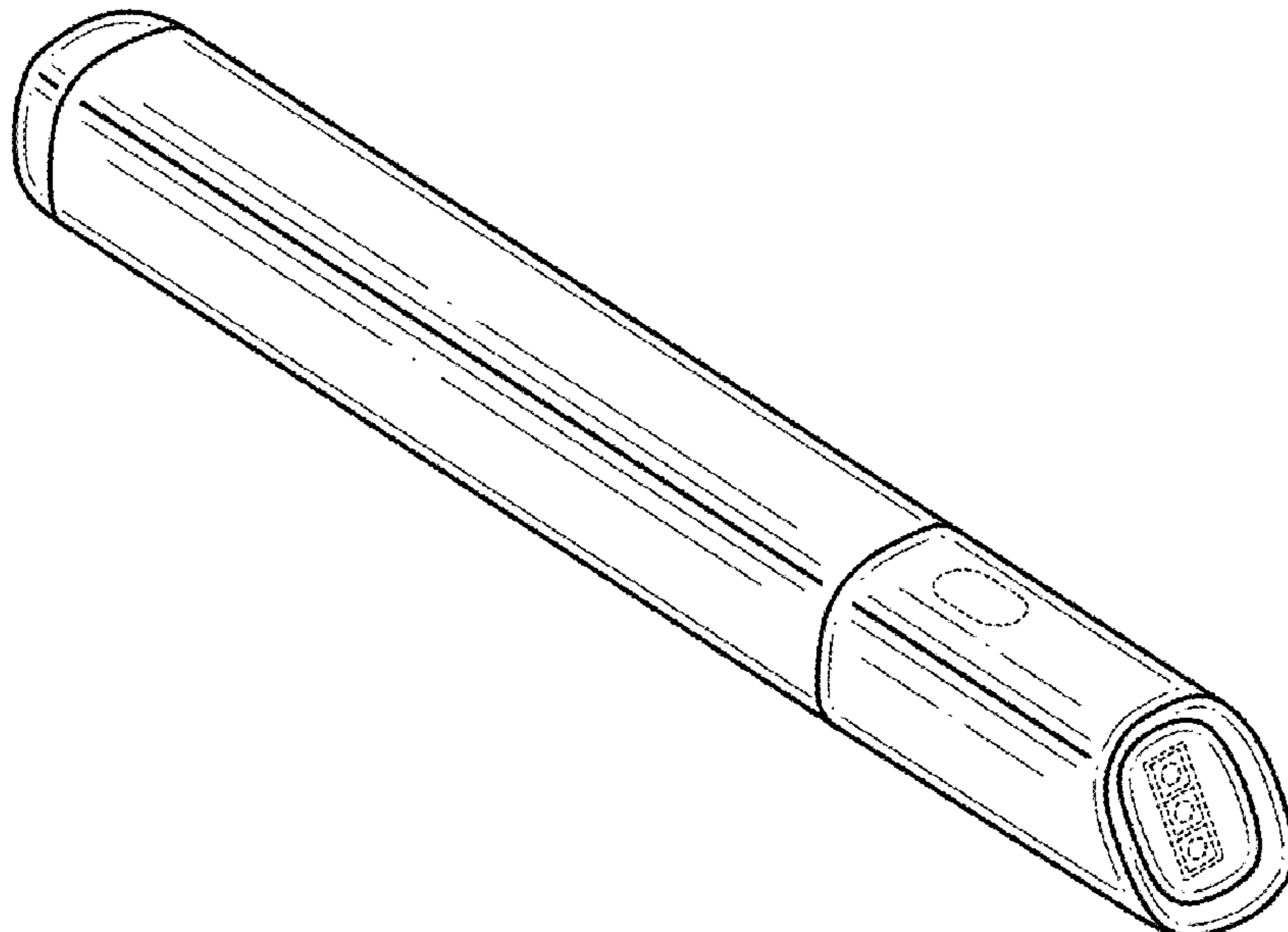
FIG. 1 is a perspective view of the ornamental design of the  
handheld acne treatment wand of our invention;  
FIG. 2 is the left side view of the handheld acne treatment  
wand of FIG. 1;  
FIG. 3 is the front view of the handheld acne treatment wand  
of FIG. 1;  
FIG. 4 is the right side view of the handheld acne treatment  
wand of FIG. 1;  
FIG. 5 is the top view of the handheld acne treatment wand  
of FIG. 1; and,  
FIG. 6 is the bottom view of the handheld acne treatment  
wand of FIG. 1.  
The broken lines show portions of the handheld acne treat-  
ment wand that form no part of the claims design.

(56) **References Cited**

**U.S. PATENT DOCUMENTS**

D432,268 S \* 10/2000 Gavin ..... D28/85  
6,508,813 B1 1/2003 Altshuler  
(Continued)

**1 Claim, 2 Drawing Sheets**



**Related U.S. Application Data**

which is a continuation-in-part of application No. 14/567,552, filed on Dec. 11, 2014, now Pat. No. 9,789,333, which is a continuation-in-part of application No. 14/324,453, filed on Jul. 7, 2014, now Pat. No. 10,286,224, which is a division of application No. 13/604,012, filed on Sep. 5, 2012, now Pat. No. 8,771,328.

(58) **Field of Classification Search**

USPC ..... D24/212, 213; D26/37-39; D28/7, 9, D28/10, 76, 85; D4/100, 101, 102, 136, D4/138

CPC .... A61N 5/0616; A61N 5/0617; A61N 5/062; A61N 5/0627; A61N 5/0625; A61N 2005/0643; A61N 2005/0644; A61N 2005/0645; A61N 2005/0647; A61N 2005/0651; A61N 2005/0652; A61B 2018/00452; A61B 2018/1807; A61B 17/1325; A61H 2201/0153; A61H 7/007; A61H 15/0085; A61H 2015/0014

See application file for complete search history.

(56) **References Cited**

U.S. PATENT DOCUMENTS

7,084,389	B2	8/2006	Spector	
7,222,995	B1	5/2007	Bayat et al.	
7,290,896	B2	11/2007	Dallas et al.	
7,517,107	B2	4/2009	Dallas et al.	
D679,451	S *	4/2013	Dittmer	D28/85
D695,413	S *	12/2013	Grust	D24/214
D704,066	S *	5/2014	de Lima Paschoal	D28/76
D707,839	S *	6/2014	Bradley	D24/209
D708,756	S *	7/2014	Marshall	D24/215
D735,404	S *	7/2015	Gourmet	D28/7
D759,261	S *	6/2016	Son	D24/215
D761,123	S *	7/2016	Breidenbach	D28/7
9,999,783	B2 *	6/2018	Tapper	A61N 5/0616
2006/0030908	A1	2/2006	Powell et al.	
2007/0032847	A1	2/2007	Weckwerth	
2007/0217199	A1	9/2007	Adam et al.	
2008/0065056	A1	3/2008	Powell et al.	
2008/0077204	A1	3/2008	Bornstein	
2008/0140164	A1	6/2008	Oberreiter et al.	
2009/0143842	A1	6/2009	Cumbie et al.	
2010/0069898	A1	3/2010	O'Neil et al.	
2010/0121419	A1	5/2010	Douglas	
2011/0144410	A1	6/2011	Kennedy	
2011/0270365	A1	11/2011	Hamada et al.	
2013/0344454	A1	12/2013	Nath	
2014/0039322	A1	2/2014	Trujillo et al.	
2015/0112411	A1	4/2015	Beckman et al.	
2015/0272623	A1 *	10/2015	Ignon	A61B 17/545 606/131
2019/0060664	A1 *	2/2019	De Taboada	A61N 5/0625

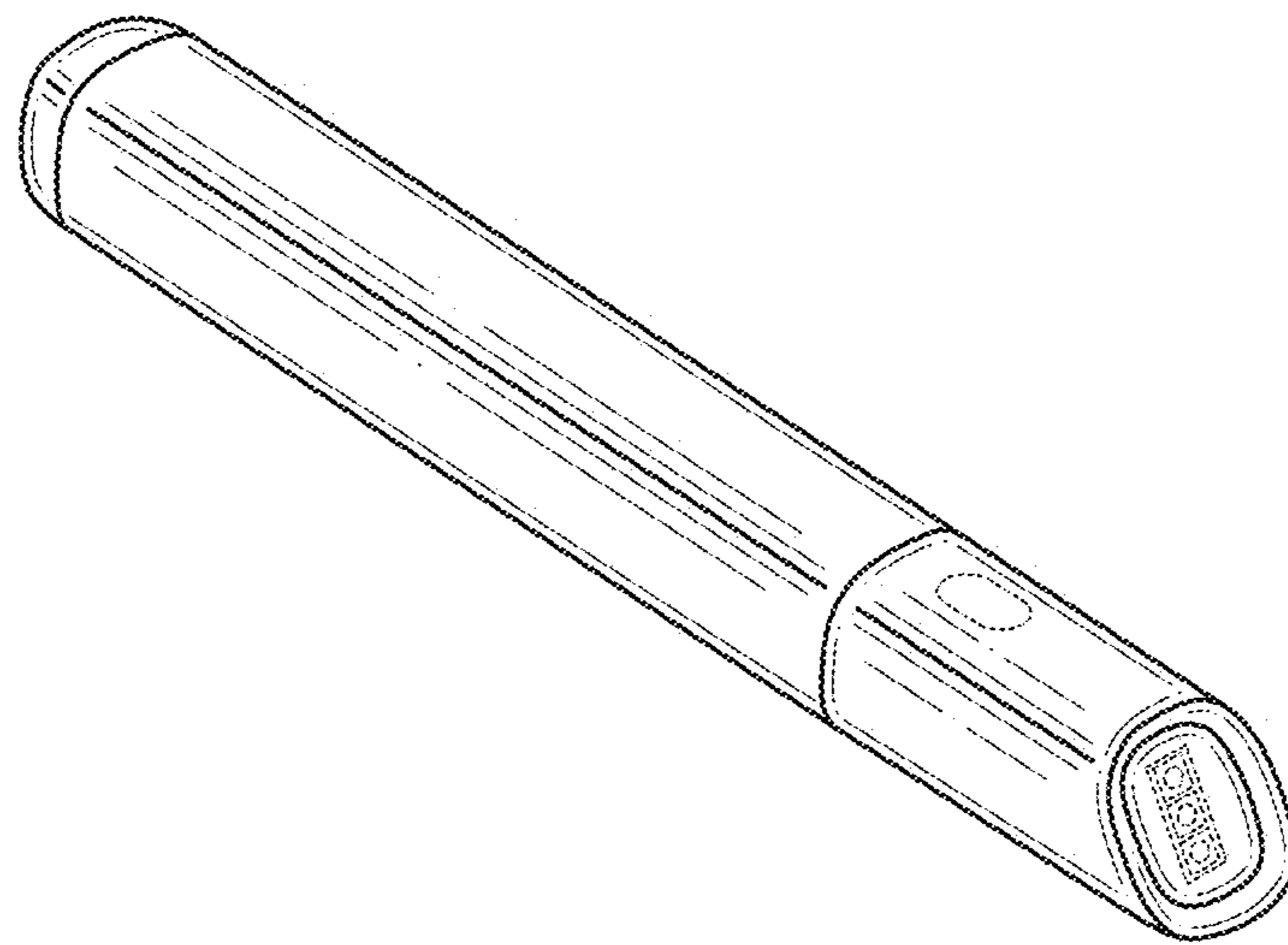
FOREIGN PATENT DOCUMENTS

CN	201768276	U	3/2011
WO	WO 2005/035059	A	4/2005
WO	WO 2007/106339	A	9/2007

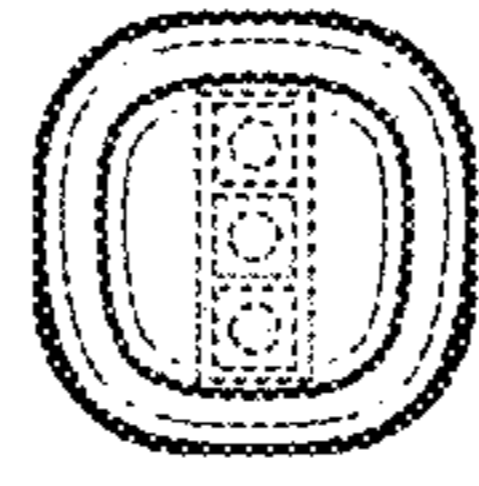
OTHER PUBLICATIONS

U.S. Appl. No. 61/532,140, filed Sep. 8, 2011, Trapper, Expired.  
 U.S. Appl. No. 13/604,012, filed Sep. 5, 2012, 2013-0066404, Mar. 14, 2013, U.S. Pat. No. 8,771,328, Jul. 8, 2014, Trapper, Grant.  
 U.S. Appl. No. 61/914,624, filed Dec. 11, 2013, Trapper, Expired.  
 U.S. Appl. No. 29/493,208, filed Jun. 6, 2014, U.S. Pat. No. D. 745,694, Dec. 15, 2015, Trapper, Grant.  
 U.S. Appl. No. 14/324,453, filed Jul. 7, 2014, 2014-0324137, Oct. 30, 2014, U.S. Pat. No. 10,286,224, May 14, 2019, Trapper, Grant.  
 U.S. Appl. No. 14/567,552, filed Dec. 11, 2014, 2015-0134033, May 14, 2015, U.S. Pat. No. 9,789,333, Oct. 17, 2017, Trapper, Grant.  
 U.S. Appl. No. 14/688,192, filed Apr. 16, 2015, 2015-0224335, Aug. 13, 2015, U.S. Pat. No. 9,561,385, Feb. 7, 2017, Trapper, Grant.  
 U.S. Appl. No. 14/688,332, filed Apr. 16, 2015, 2015-0224336, Aug. 13, 2015, U.S. Pat. No. 9,440,092, Sep. 13, 2016, Trapper, Grant.  
 U.S. Appl. No. 14/688,381, filed Apr. 16, 2015, 2015-0224337, Aug. 13, 2015, U.S. Pat. No. 9,744,377, Aug. 29, 2017, Trapper, Grant.  
 U.S. Appl. No. 14/688,466, filed Apr. 16, 2015, 2015-0321023, Nov. 12, 2015, U.S. Pat. No. 9,744,378, Aug. 29, 2017, Trapper, Grant.  
 U.S. Appl. No. 14/688,501, filed Apr. 16, 2015, 2015-0335906, Nov. 26, 2015, U.S. Pat. No. 9,814,905, Nov. 14, 2017, Trapper, Grant.  
 U.S. Appl. No. 14/688,528, Apr. 16, 2015, 2015-0335907, Nov. 26, 2015, U.S. Pat. No. 9,764,156, Sep. 19, 2017, Trapper, Grant.  
 U.S. Appl. No. 14/688,560, filed Apr. 16, 2015, 2015-0335908, Nov. 26, 2015, U.S. Pat. No. 10,300,298, May 28, 2019, Trapper, Grant.  
 U.S. Appl. No. 14/688,609, filed Apr. 16, 2015, 2015-0335909, Nov. 26, 2015, U.S. Pat. No. 9,731,143, Aug. 15, 2017, Trapper, Grant.  
 U.S. Appl. No. 14/688,638, filed Apr. 16, 2015, 2015-0335910, Nov. 26, 2015, U.S. Pat. No. 10,293,176, May 21, 2019, Trapper, Grant.  
 U.S. Appl. No. 14/747,145, filed Jun. 23, 2015, 2016-0045758, Feb. 18, 2016, U.S. Pat. No. 10,092,770, Oct. 9, 2018, Trapper, Grant.  
 U.S. Appl. No. 14/747,220, filed Jun. 23, 2015, 2016-0038763, Feb. 11, 2016, Trapper, Pending.  
 U.S. Appl. No. 14/747,302, filed Jun. 23, 2015, 2016-0045759, Feb. 18, 2016, U.S. Pat. No. 10,213,618, Feb. 26, 2019, Trapper, Grant.  
 U.S. Appl. No. 14/747,392, filed Jun. 23, 2015, 2016-0051834, Feb. 25, 2016, U.S. Pat. No. 10,272,257, Apr. 30, 2019, Trapper, Grant.  
 U.S. Appl. No. 14/747,464, filed Jun. 23, 2015, 2016-0045763, Feb. 18, 2016, Trapper, Abandon.  
 U.S. Appl. No. 14/747,530, filed Jun. 23, 2015, 2016-0051835, Feb. 25, 2016, U.S. Pat. No. 10,434,325, Oct. 8, 2019, Trapper, Grant.  
 U.S. Appl. No. 14/747,608, filed Jun. 23, 2015, 2016-0045760, Feb. 18, 2016, Trapper, Abandon.  
 U.S. Appl. No. 14/747,685, filed Jun. 23, 2015, 2016-0056653, Feb. 25, 2016, U.S. Pat. No. 10,090,694, Oct. 2, 2018, Trapper, Grant.  
 U.S. Appl. No. 14/747,774, filed Jun. 23, 2015, U.S. Pat. No. 10,195,458, Feb. 5, 2019, Trapper, Grant.  
 U.S. Appl. No. 15/589,004, filed May 8, 2017, 2017-0239490, Aug. 24, 2017, U.S. Pat. No. 9,999,783, Jun. 19, 2018, Trapper, Grant.  
 U.S. Appl. No. 29/609,226, filed Jun. 29, 2017, Trapper, Pending.  
 U.S. Appl. No. 16/011,172, filed Jun. 18, 2018, 2018-0296852, Oct. 18, 2018, U.S. Pat. No. 10,518,105, Dec. 31, 2019, Trapper, Grant.  
 U.S. Appl. No. 16/407,833, filed May 9, 2019, Trapper, Pending.  
 U.S. Appl. No. 16/719,395, filed Dec. 18, 2019, Trapper, Pending.

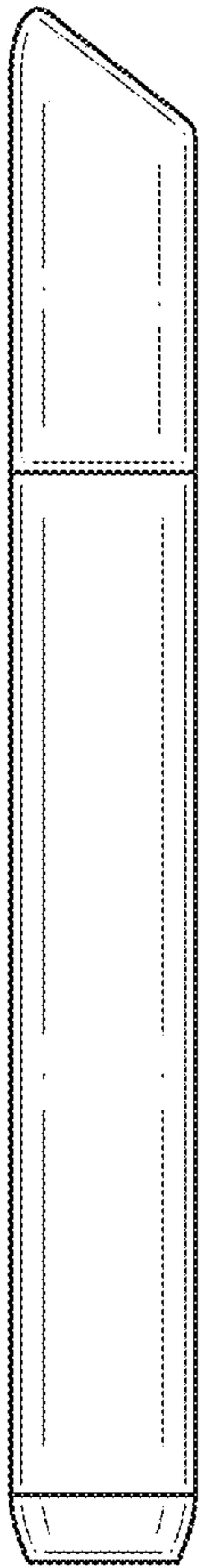
\* cited by examiner



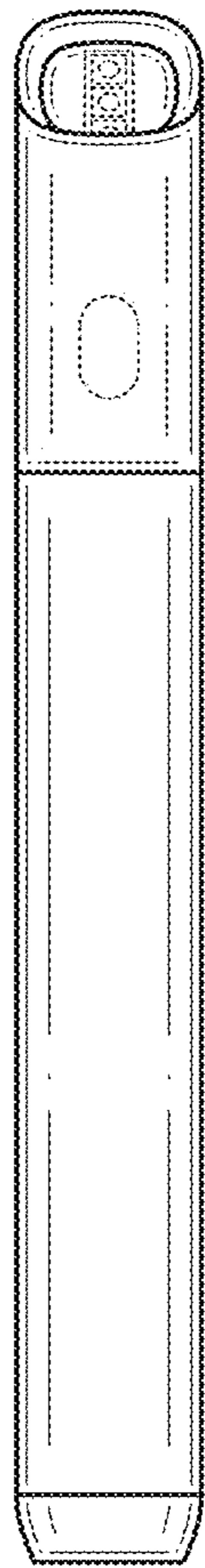
**FIG. 1**



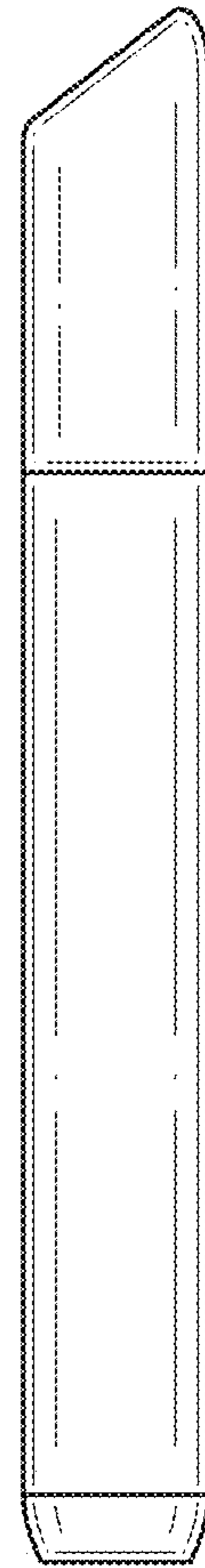
**FIG. 5**



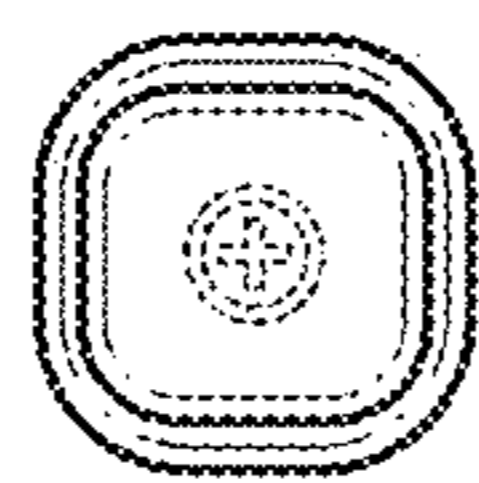
**FIG. 2**



**FIG. 3**



**FIG. 4**



**FIG. 6**