



US00D903881S

(12) **United States Design Patent** (10) **Patent No.:** **US D903,881 S**
Ohta et al. (45) **Date of Patent:** **** Dec. 1, 2020**

(54) **MOTION ASSISTING DEVICE**

(56) **References Cited**

(71) Applicant: **JTEKT CORPORATION**, Osaka (JP)

U.S. PATENT DOCUMENTS

(72) Inventors: **Hikomichi Ohta**, Kariya (JP);
Kazuyoshi Ohtsubo, Chiryu (JP);
Hisataka Sato, Toyota (JP); **Frederic**
Dandault-Kamitani, Tokyo (JP);
Takane Mitomi, Tokyo (JP)

D340,542 S *	10/1993	Marlowe	D29/101.1
D453,398 S *	2/2002	Masuda	D29/101.4
D454,986 S *	3/2002	Casebolt	D29/101.1
D548,401 S *	8/2007	Tinao	D29/101.4
D615,249 S *	5/2010	McGuigan	D29/101.1
D713,997 S *	9/2014	Daugherty	D29/101.4
D732,241 S *	6/2015	Couzyn	D29/101.1
D733,359 S *	6/2015	Kun	D29/101.4
D733,360 S *	6/2015	Kun	D29/101.4
D733,969 S *	7/2015	Kun	D29/101.4
D765,916 S *	9/2016	Allan	D29/101.1

(73) Assignee: **JTEKT CORPORATION**, Osaka (JP)

(**) Term: **15 Years**

(Continued)

(21) Appl. No.: **29/627,256**

OTHER PUBLICATIONS

(22) Filed: **Nov. 24, 2017**

JTEK. 2nd Generation model the J-PAS Series Scheduled. Dec. 12, 2018. for Release Next Spring https://www.jtekt.co.jp/e/news/181212_1.html (Year: 2018).*

(30) **Foreign Application Priority Data**

Primary Examiner — Darcey E Gottschalk

May 26, 2017	(JP)	2017-011277
May 26, 2017	(JP)	2017-011278
May 26, 2017	(JP)	2017-011279
May 26, 2017	(JP)	2017-011280
May 26, 2017	(JP)	2017-011281
May 26, 2017	(JP)	2017-011282
Nov. 10, 2017	(JP)	2017-025084
Nov. 10, 2017	(JP)	2017-025085
Nov. 10, 2017	(JP)	2017-025086
Nov. 10, 2017	(JP)	2017-025087
Nov. 10, 2017	(JP)	2017-025088

(74) *Attorney, Agent, or Firm* — Oblon, McClelland, Maier & Neustadt, L.L.P.

(57) **CLAIM**

The ornamental design for a motion assisting device, as shown and described.

(51) **LOC (12) Cl.** **24-04**

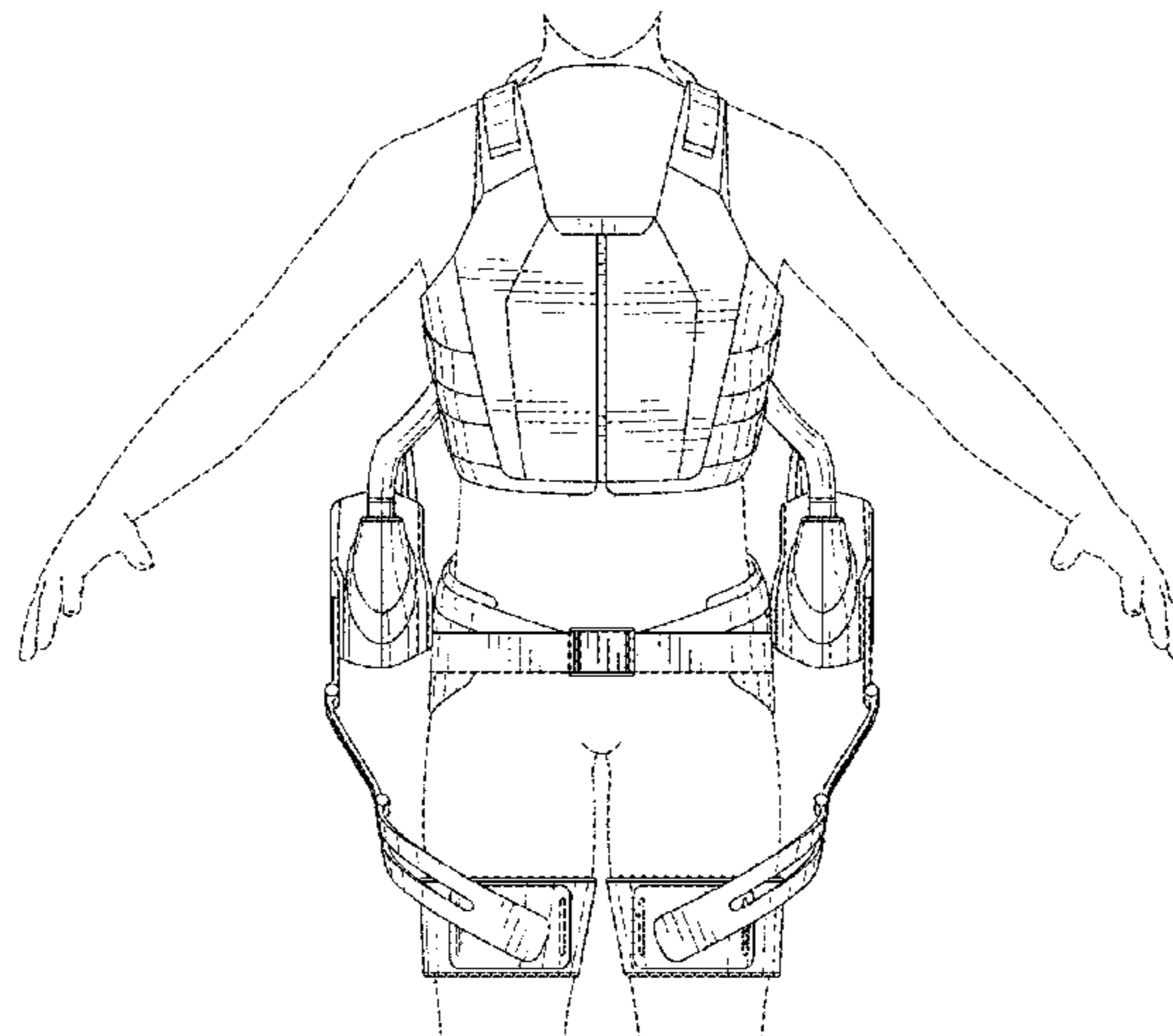
(52) **U.S. Cl.**
USPC **D24/190**; D29/101.1

(58) **Field of Classification Search**
USPC D24/155, 188–192, 199, 200, 206,
D24/212–215; D29/100, 101.1–101.5,
D29/103, 106, 108, 111, 120.1, 121.1,
D29/121.2, 122, 124
CPC A61H 1/0244; A61H 1/0262
See application file for complete search history.

DESCRIPTION

FIG. 1 is a front view of a motion assisting device showing our new design;
FIG. 2 is a back view thereof;
FIG. 3 is a top view thereof;
FIG. 4 is a bottom view thereof;
FIG. 5 is a right view thereof, a left view being a mirror image thereof; and,
FIG. 6 is a reference front view thereof showing usage state.

(Continued)



In the drawings, the broken lines depict environment that forms no part of the claimed design.

1 Claim, 6 Drawing Sheets

(56)

References Cited

U.S. PATENT DOCUMENTS

D765,917	S	*	9/2016	Allan	D29/101.1
D767,824	S	*	9/2016	Hilliard	D29/100
D779,738	S	*	2/2017	Chow	D29/101.4
D781,430	S	*	3/2017	Konishi	D24/190
D784,545	S	*	4/2017	Jangir	D24/190
D805,254	S	*	12/2017	Lopez	D29/101.1
D808,594	S	*	1/2018	Tien	D29/101.4
D810,951	S	*	2/2018	Tooke	D24/190
D824,110	S	*	7/2018	Stevens	D29/101.4
D831,276	S	*	10/2018	Pennington, Jr.	D29/101.1
2018/0092792	A1	*	4/2018	Ohta	A61H 1/0244
2018/0272525	A1	*	9/2018	Kumeno	B25J 9/0006
2018/0338880	A1	*	11/2018	Ohta	A61H 1/0262

* cited by examiner

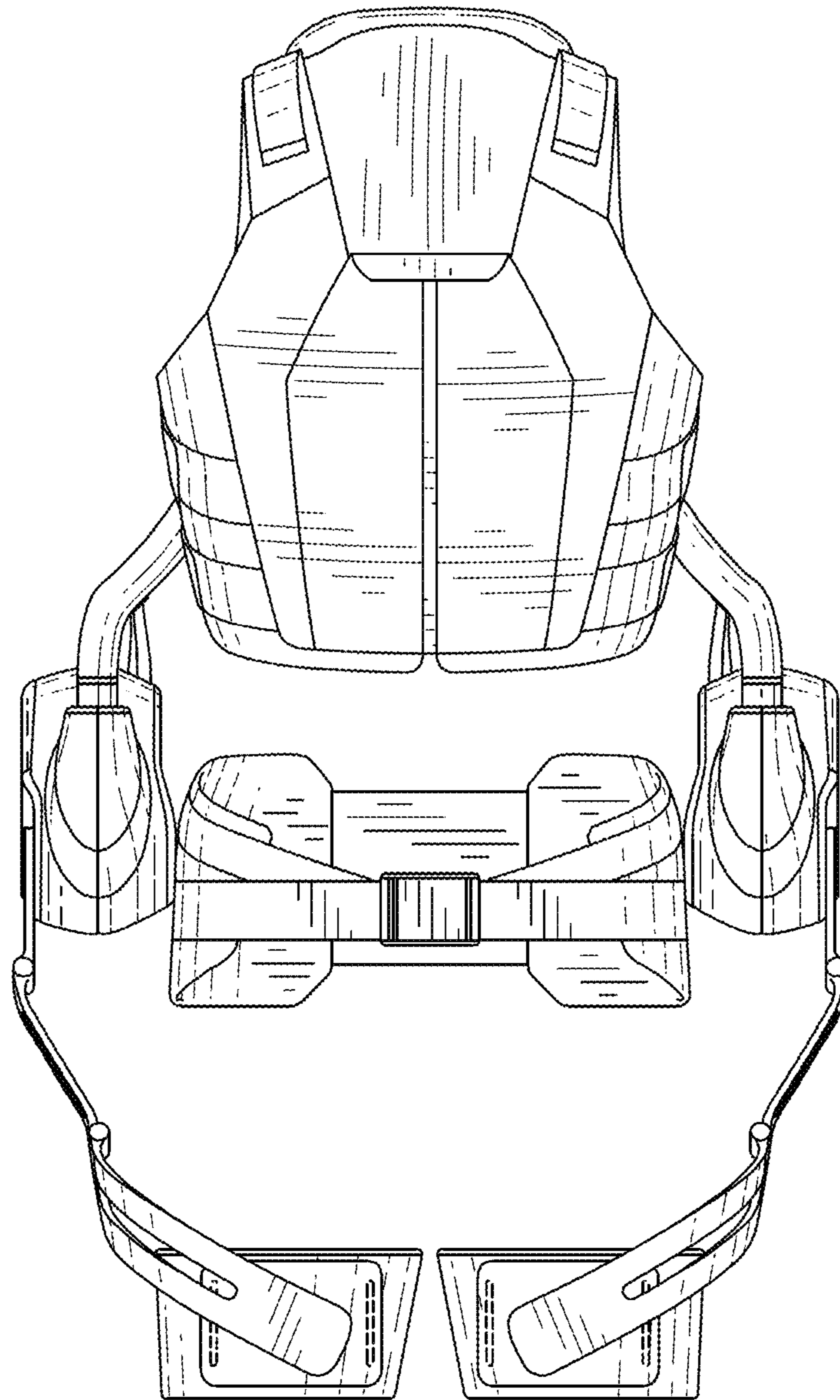


FIG. 1

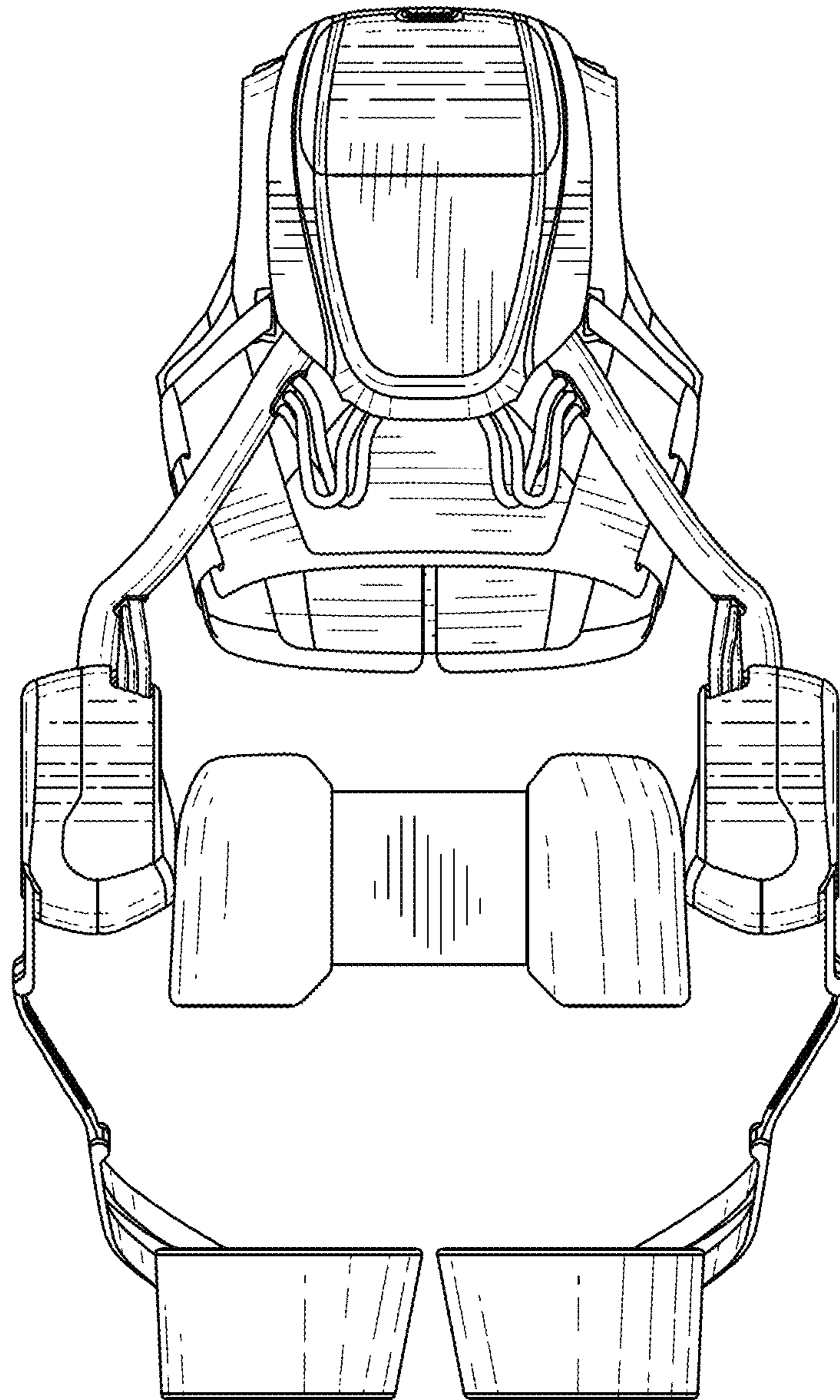


FIG. 2

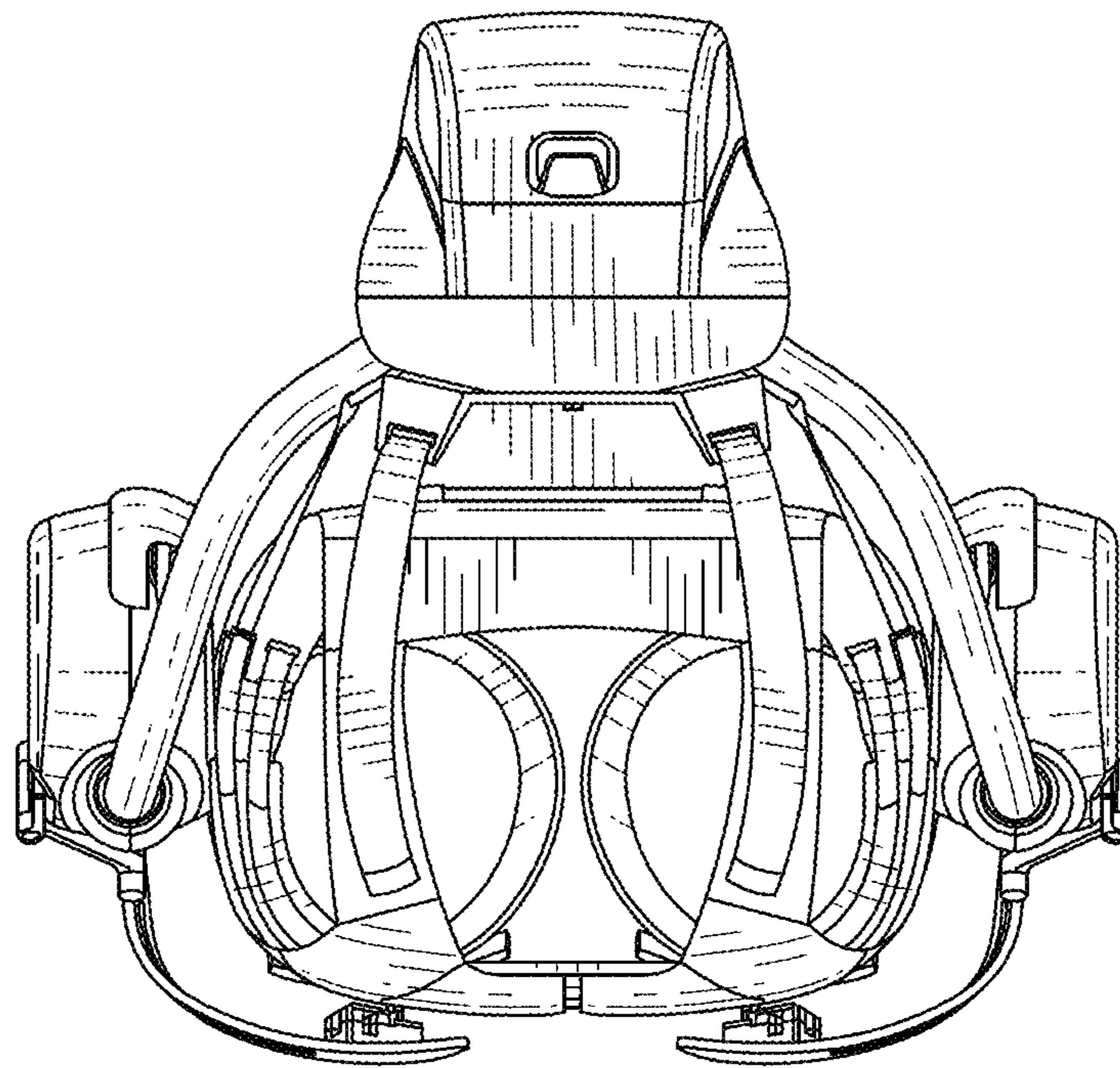


FIG. 3

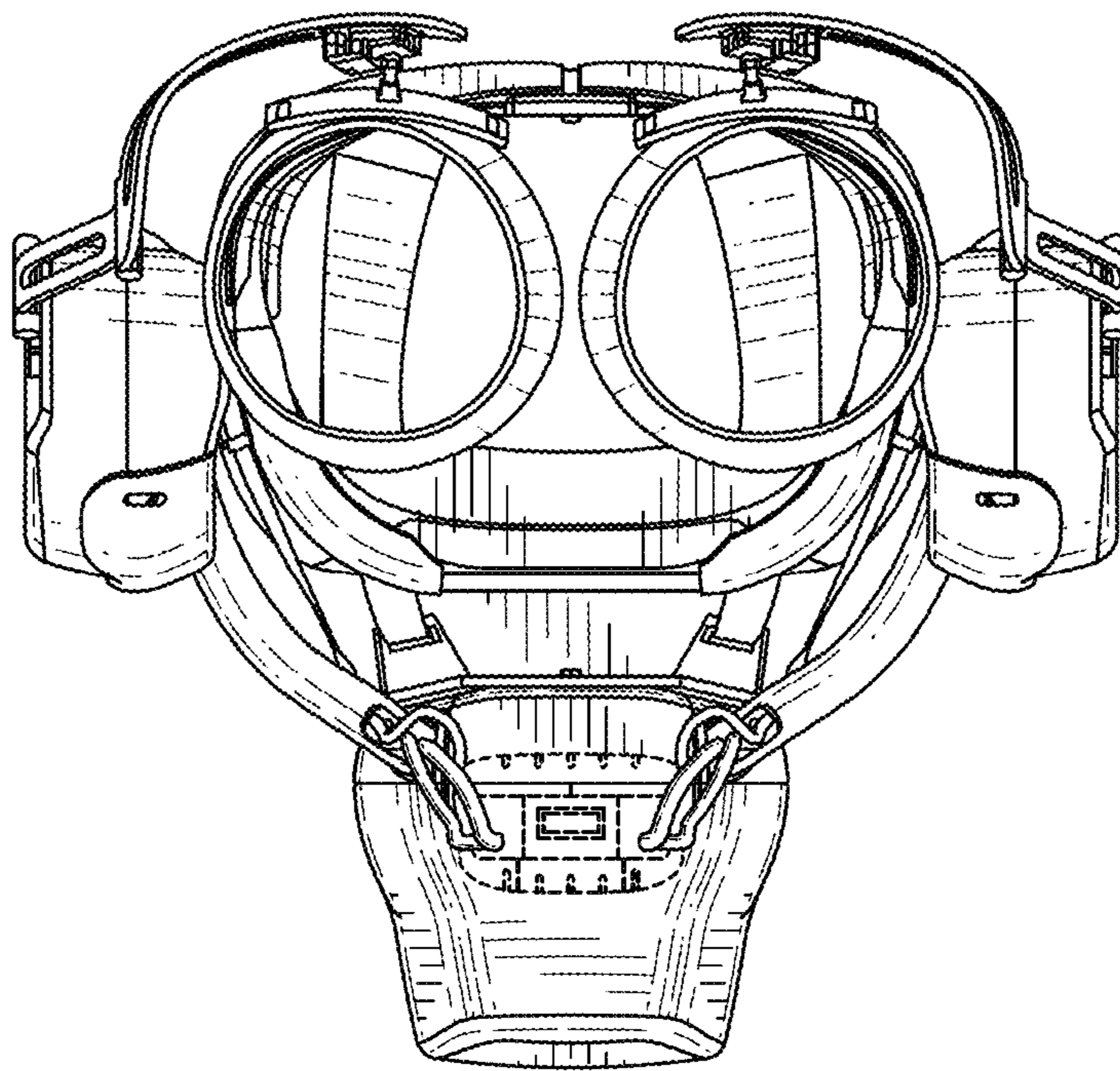


FIG. 4

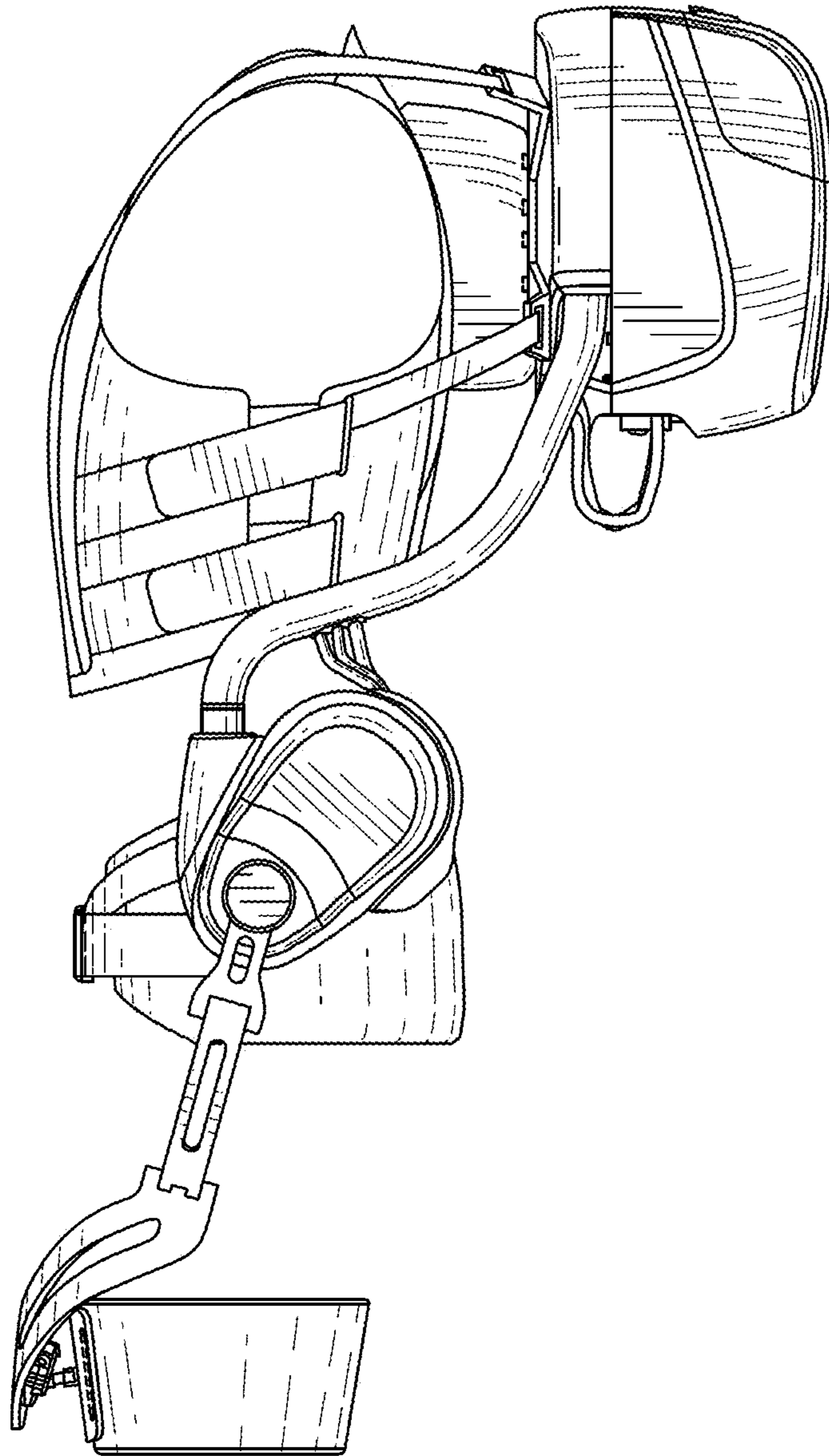


FIG. 5

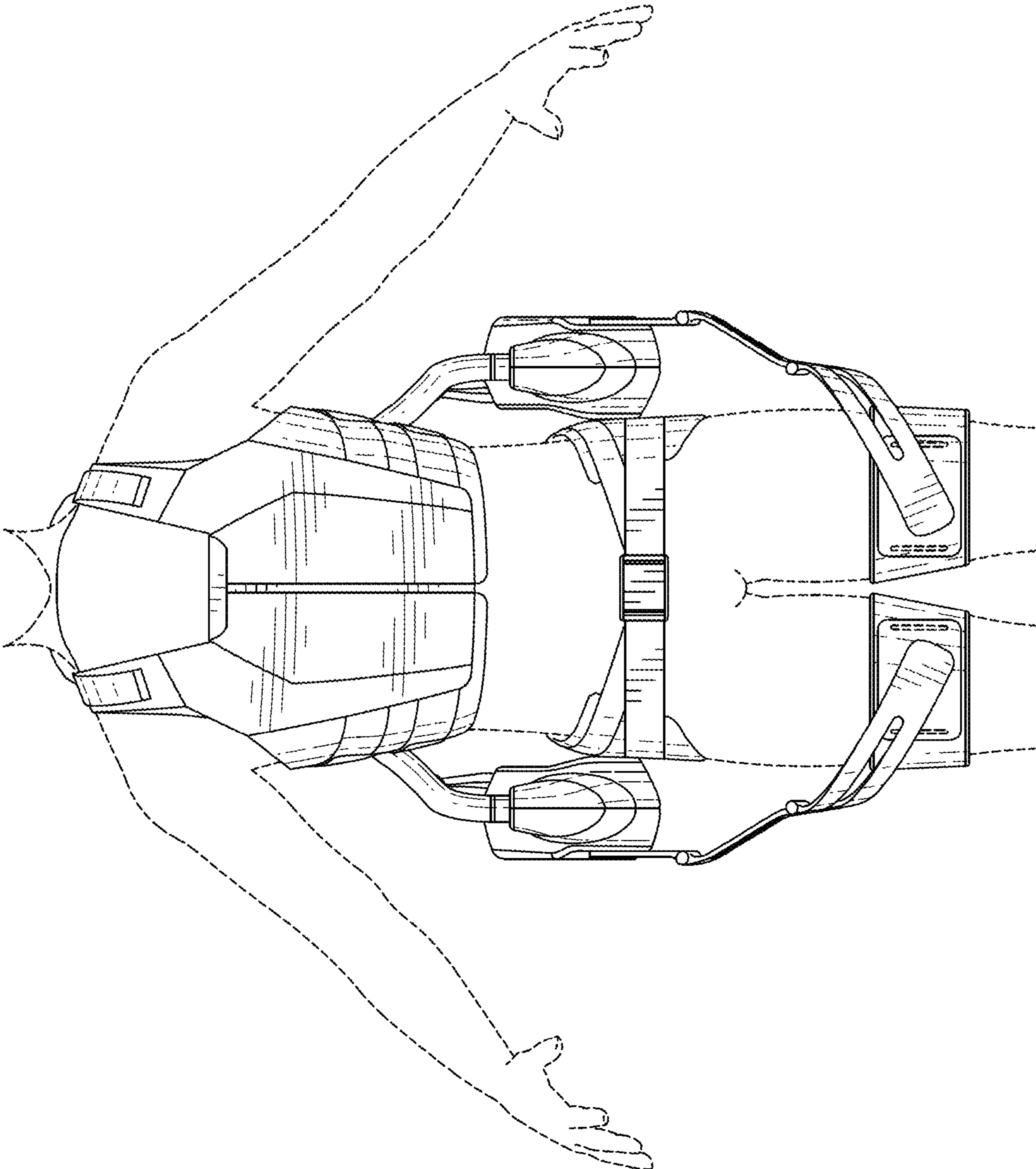


FIG. 6