



US00D903880S

(12) **United States Design Patent** (10) **Patent No.:** **US D903,880 S**  
**Roy** (45) **Date of Patent:** **\*\* Dec. 1, 2020**

- (54) **HANDHELD ULTRASOUND SYSTEM**
- (71) Applicant: **yoR Labs, Inc.**, Portland, OR (US)
- (72) Inventor: **Michael Benjamin Roy**, Portland, OR (US)
- (73) Assignee: **yoR Labs, Inc.**, Portland, OR (US)
- (\*\*) Term: **15 Years**
- (21) Appl. No.: **29/689,847**
- (22) Filed: **May 2, 2019**
- (51) **LOC (12) Cl.** ..... **24-01**
- (52) **U.S. Cl.**  
USPC ..... **D24/187; D24/186**
- (58) **Field of Classification Search**  
USPC ..... D24/137, 138, 158–160, 185–187, 231;  
D10/78  
CPC ..... A61B 8/445; A61B 8/4455; A61B 8/4461  
See application file for complete search history.

- D878,603 S \* 3/2020 Zhang ..... A61B 8/4455  
D24/187
- D882,096 S \* 4/2020 Dekock ..... A61B 8/4427  
D24/187
- 2010/0160784 A1 6/2010 Poland et al.
- 2018/0055483 A1\* 3/2018 Hunter ..... A61B 8/54
- 2018/0317883 A1\* 11/2018 Huhtamaki ..... A61B 8/4427
- 2020/0138409 A1\* 5/2020 Lindekugel ..... A61B 8/4455

\* cited by examiner

*Primary Examiner* — Anhdao Doan  
(74) *Attorney, Agent, or Firm* — Knobbe Martens Olson & Bear LLP

(57) **CLAIM**

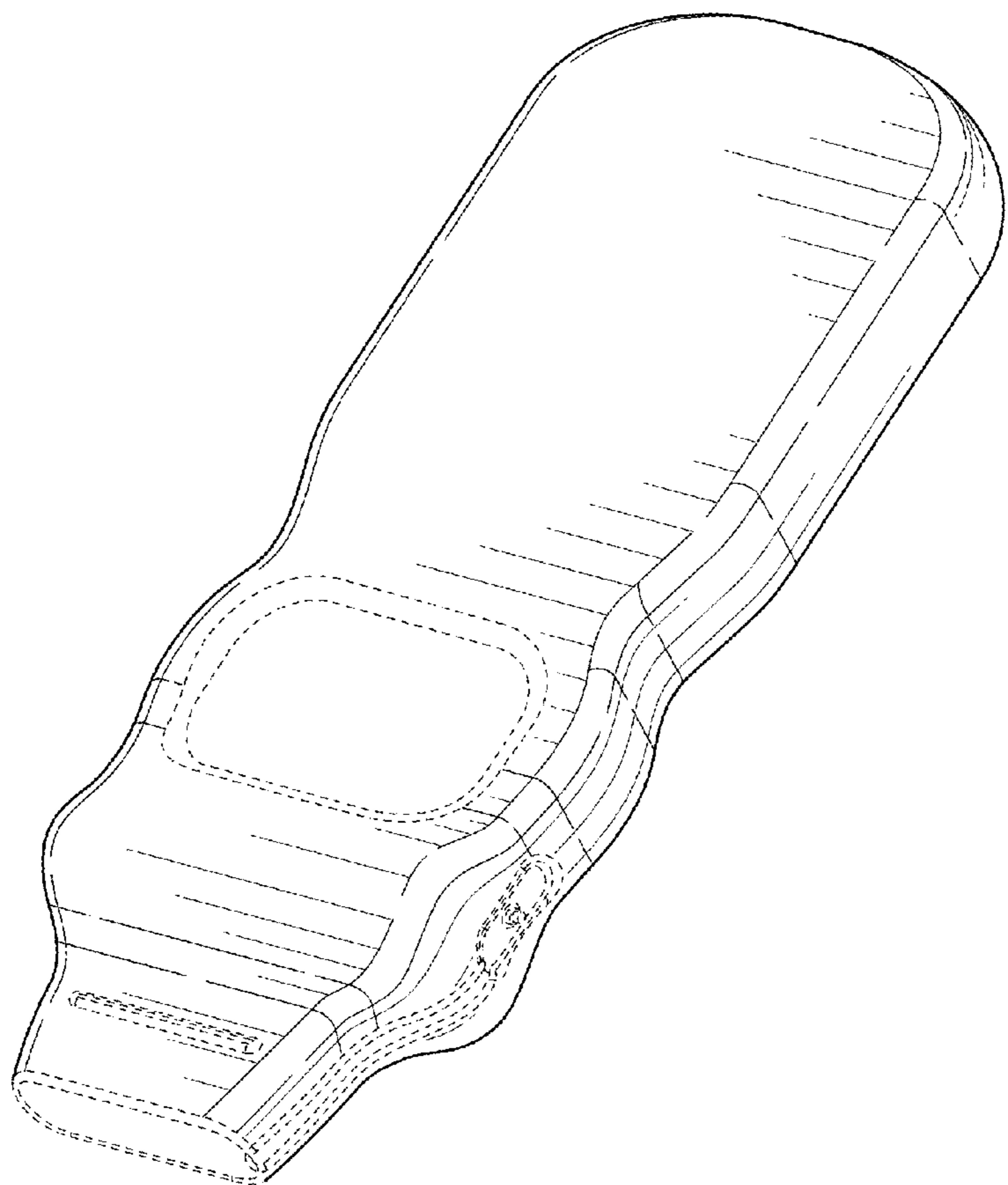
The ornamental design for a handheld ultrasound system, as shown and described.

**DESCRIPTION**

FIG. 1 is a perspective view of a handheld ultrasound system;  
FIG. 2 is a top view thereof;  
FIG. 3 is a bottom view thereof;  
FIG. 4 is a left side view thereof;  
FIG. 5 is a right side view thereof;  
FIG. 6 is a back view thereof; and,  
FIG. 7 is a front view thereof.  
The broken lines depict portions of the handheld ultrasound system that form no part of the claimed design; the broken lines form no part of the claimed design.

**1 Claim, 4 Drawing Sheets**

- (56) **References Cited**  
U.S. PATENT DOCUMENTS  
D710,511 S \* 8/2014 Bartlett ..... A61B 8/54  
D24/187  
D770,630 S \* 11/2016 Nieminen ..... D24/187  
D837,390 S \* 1/2019 Harada ..... D24/187



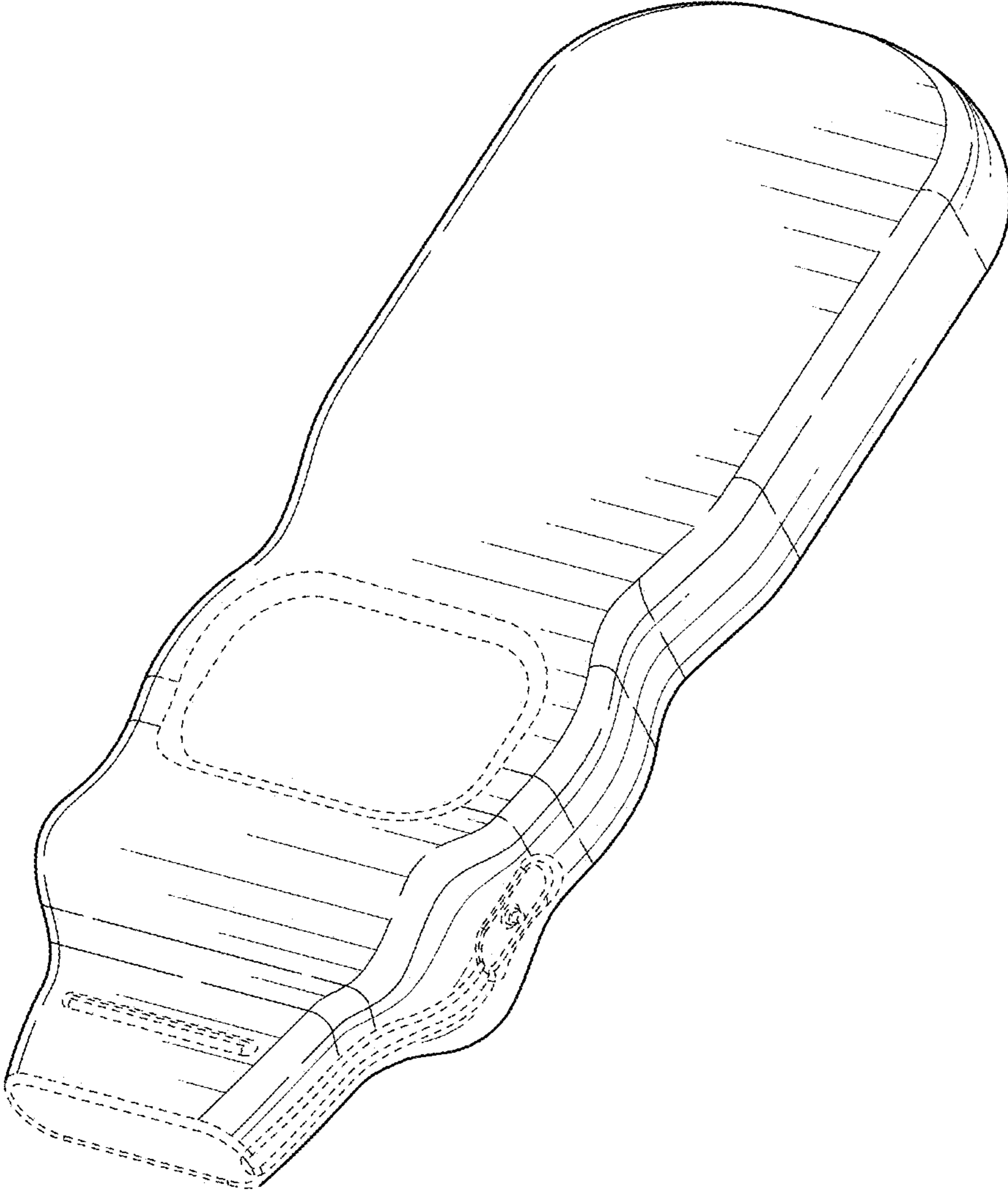


FIG. 1

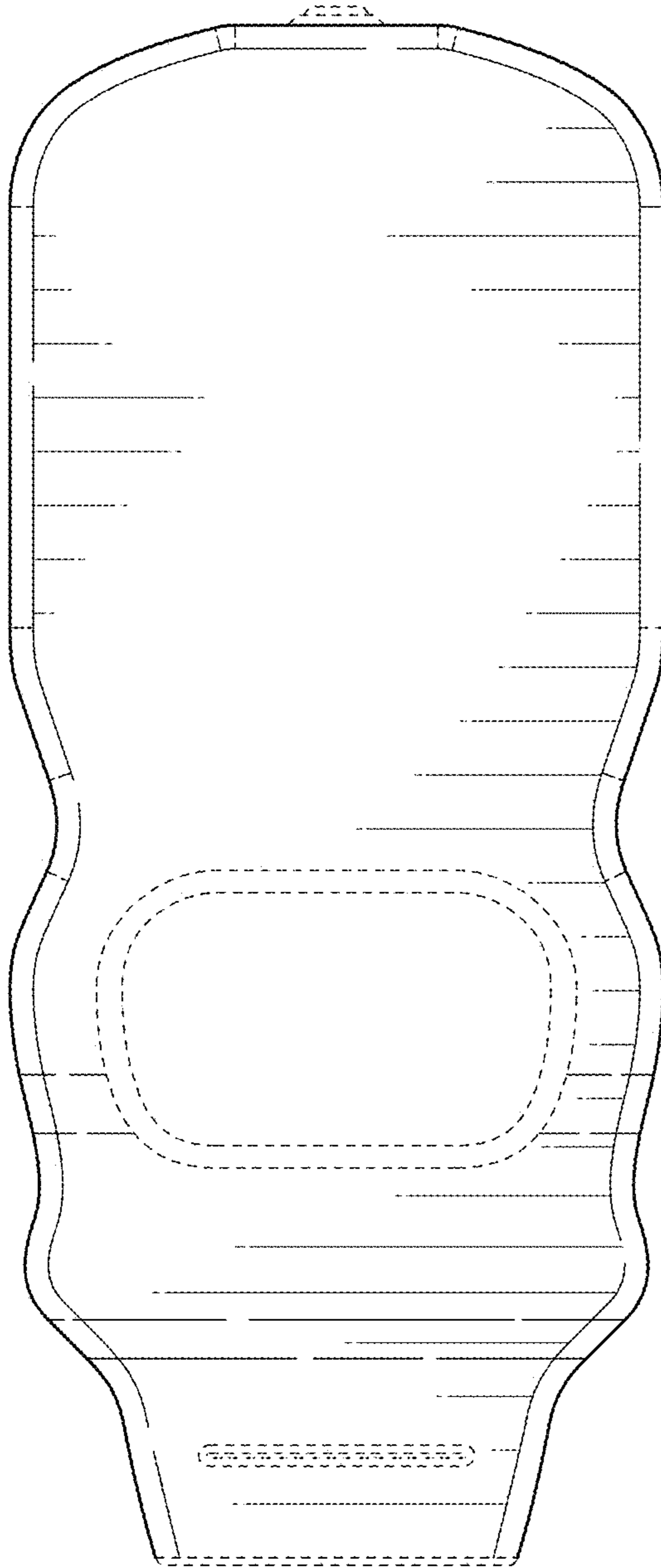


FIG. 2

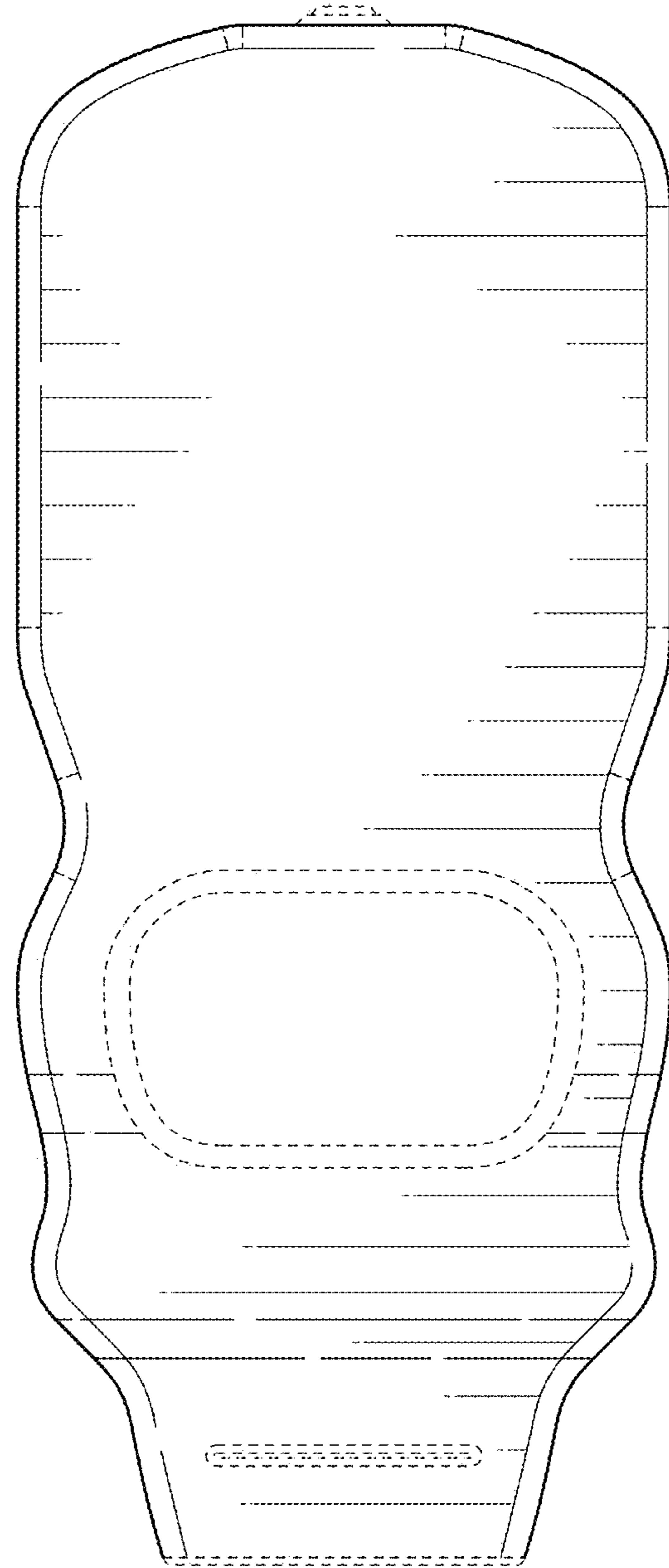


FIG. 3

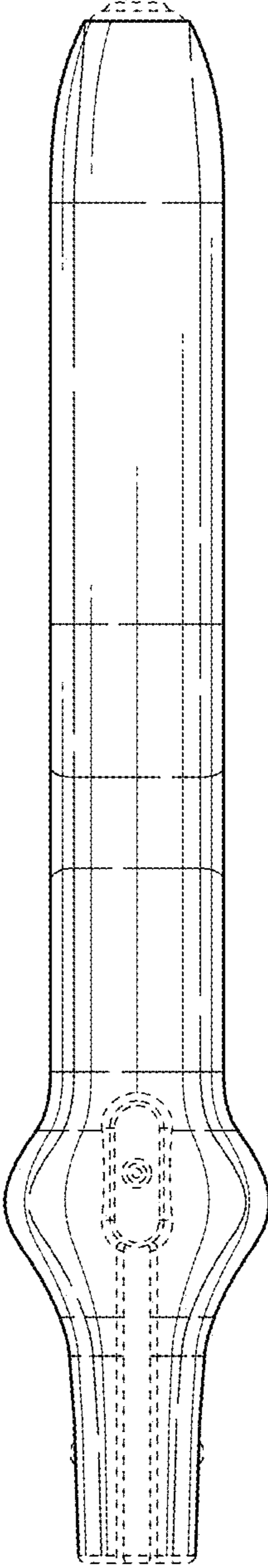


FIG. 4

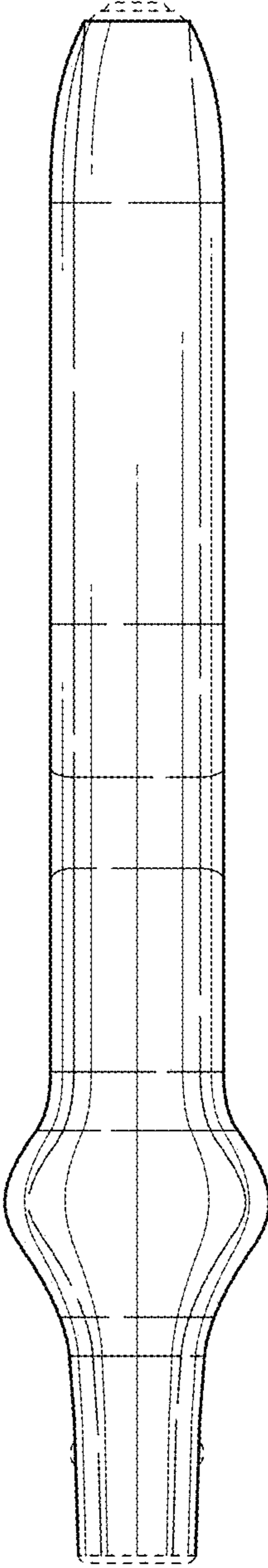


FIG. 5

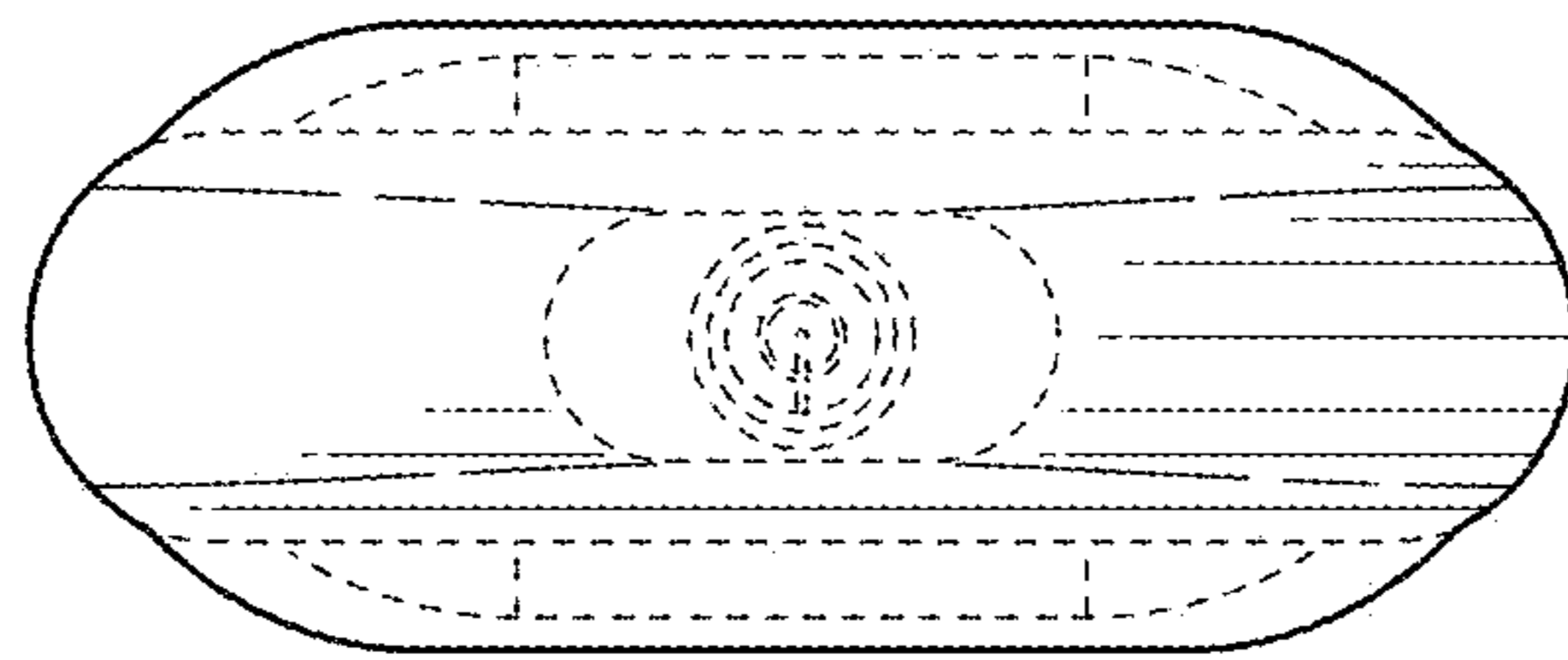


FIG. 6

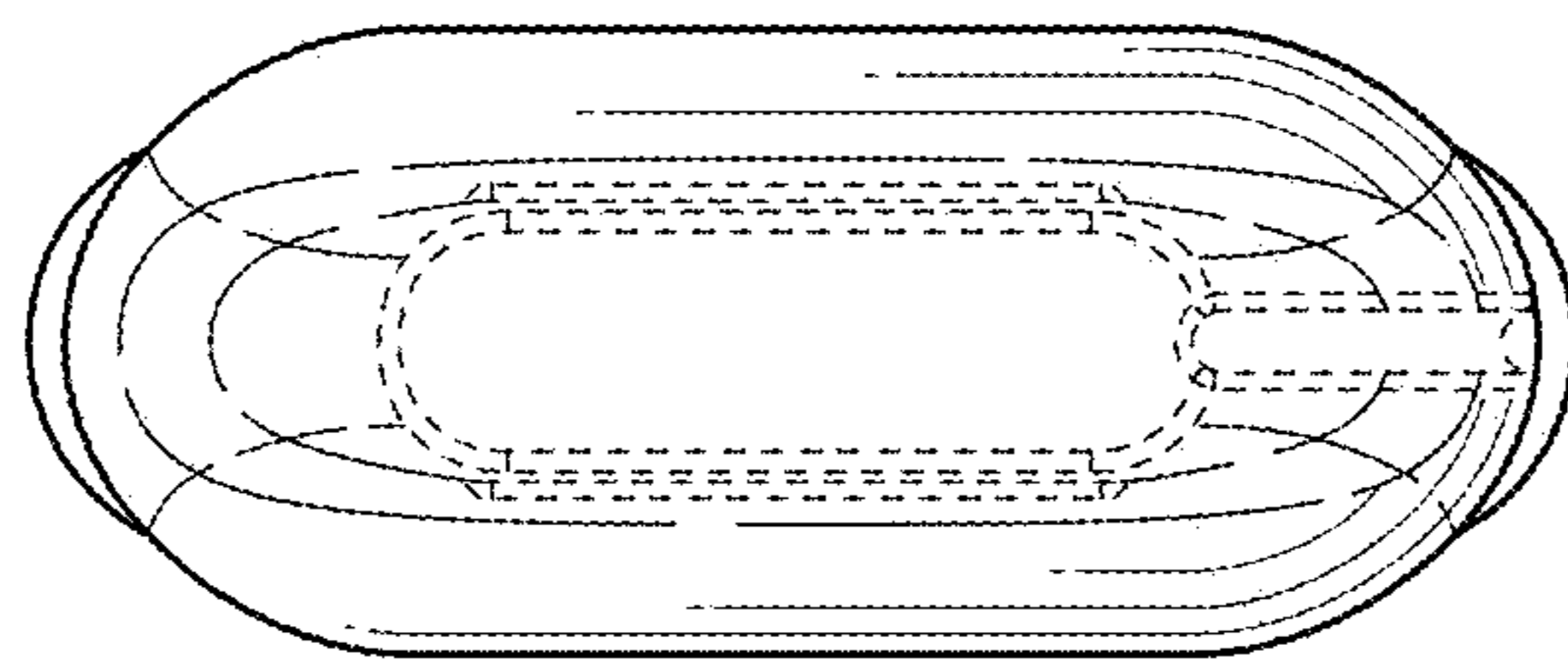


FIG. 7