



US00D903878S

(12) **United States Design Patent** (10) **Patent No.:** **US D903,878 S**
Smith et al. (45) **Date of Patent:** **** Dec. 1, 2020**

- (54) **EAR CLIP**
- (71) Applicant: **Socrates Health Solutions, Inc.**,
Dallas, TX (US)
- (72) Inventors: **Scott J. Smith**, Dallas, TX (US);
Douglas F. Sutherland, Luxembourg
(LU); **Valentin Korman**, Huntsville,
AL (US); **Tyde Meadows**, Hartselle,
AL (US)
- (73) Assignee: **Socrates Health Solutions, Inc.**,
Dallas, TX (US)
- (**) Term: **15 Years**
- (21) Appl. No.: **29/693,970**
- (22) Filed: **Jun. 6, 2019**
Related U.S. Application Data
- (63) Continuation-in-part of application No. 29/635,205,
filed on Jan. 29, 2018, now Pat. No. Des. 855,808.
- (51) **LOC (12) Cl.** **24-01**
- (52) **U.S. Cl.**
USPC **D24/186**
- (58) **Field of Classification Search**
USPC D24/173–175, 167, 169, 186, 187, 200,
D24/106; D14/205, 223–226, 249
CPC .. H04R 2225/025; H04R 25/60; H04R 25/63;
H04R 25/67; H04R 25/602; H04R
25/604; H04R 25/608; H04R 25/65;
H04R 25/652; A61B 5/14532; A61B
5/6815; A61B 5/6816; A61B 5/6817;
A61B 5/6838; A61B 5/6884
See application file for complete search history.

D623,306 S	9/2010	Boyer	
D636,879 S	4/2011	Dubs	
D670,396 S	11/2012	Doogan	
D717,443 S	11/2014	Hughes et al.	
D745,166 S *	12/2015	Chang	D24/186
D762,858 S	8/2016	Iwabuchi	
D802,152 S	11/2017	Wakefield et al.	
D809,664 S	2/2018	Ma et al.	
D855,808 S *	8/2019	Smith	D24/169
D875,922 S *	2/2020	Nelson	D24/106
2007/0260131 A1	11/2007	Chin	
2010/0217103 A1	8/2010	Abdul-Hafiz et al.	
2013/0218025 A1	8/2013	Tverskoy	
2015/0351688 A1	12/2015	Just et al.	

* cited by examiner

Primary Examiner — Anhdao Doan
(74) *Attorney, Agent, or Firm* — Foley & Lardner LLP

(57) **CLAIM**

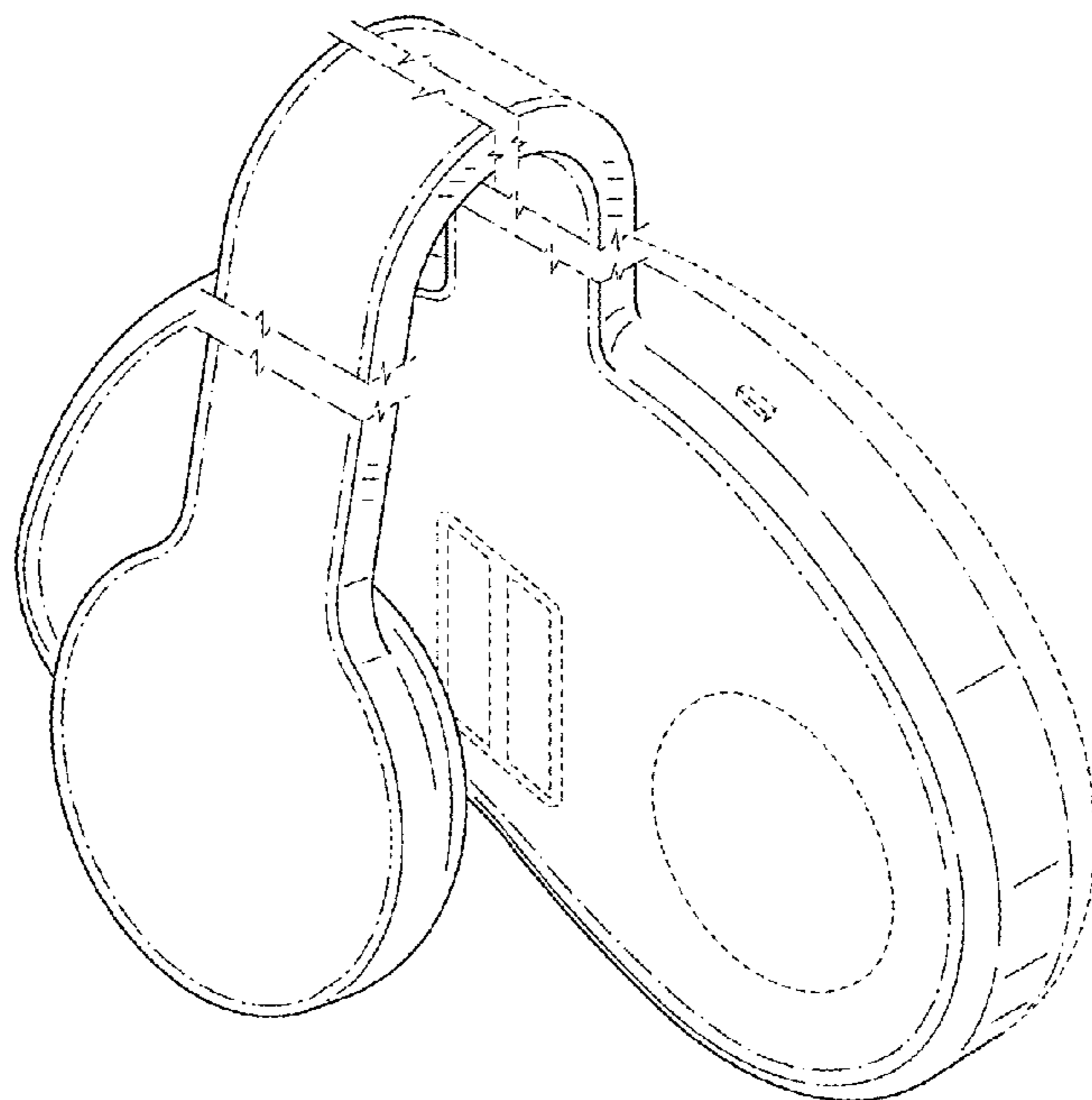
The ornamental design for an ear clip, as shown and described.

DESCRIPTION

FIG. 1 is a rear perspective view of an ear clip;
FIG. 2 is a rear elevation view of the ear clip;
FIG. 3 is a front elevation view of the ear clip;
FIG. 4 is left side elevation view of the ear clip
FIG. 5 is right side elevation view of the ear clip;
FIG. 6 is a top view of the ear clip; and,
FIG. 7 is a bottom view of the ear clip.
The broken lines represent portions of the ear clip that form no part of the claimed design. The dash-dot-dash line represents the boundary of the claimed region. The strap is shown with symbolic breaks in its length; the appearance of any portion of the article between the break lines forms no part of the claimed design.

1 Claim, 7 Drawing Sheets

- (56) **References Cited**
U.S. PATENT DOCUMENTS
- D578,222 S 10/2008 Sakurai et al.
- D599,329 S 9/2009 Champkins



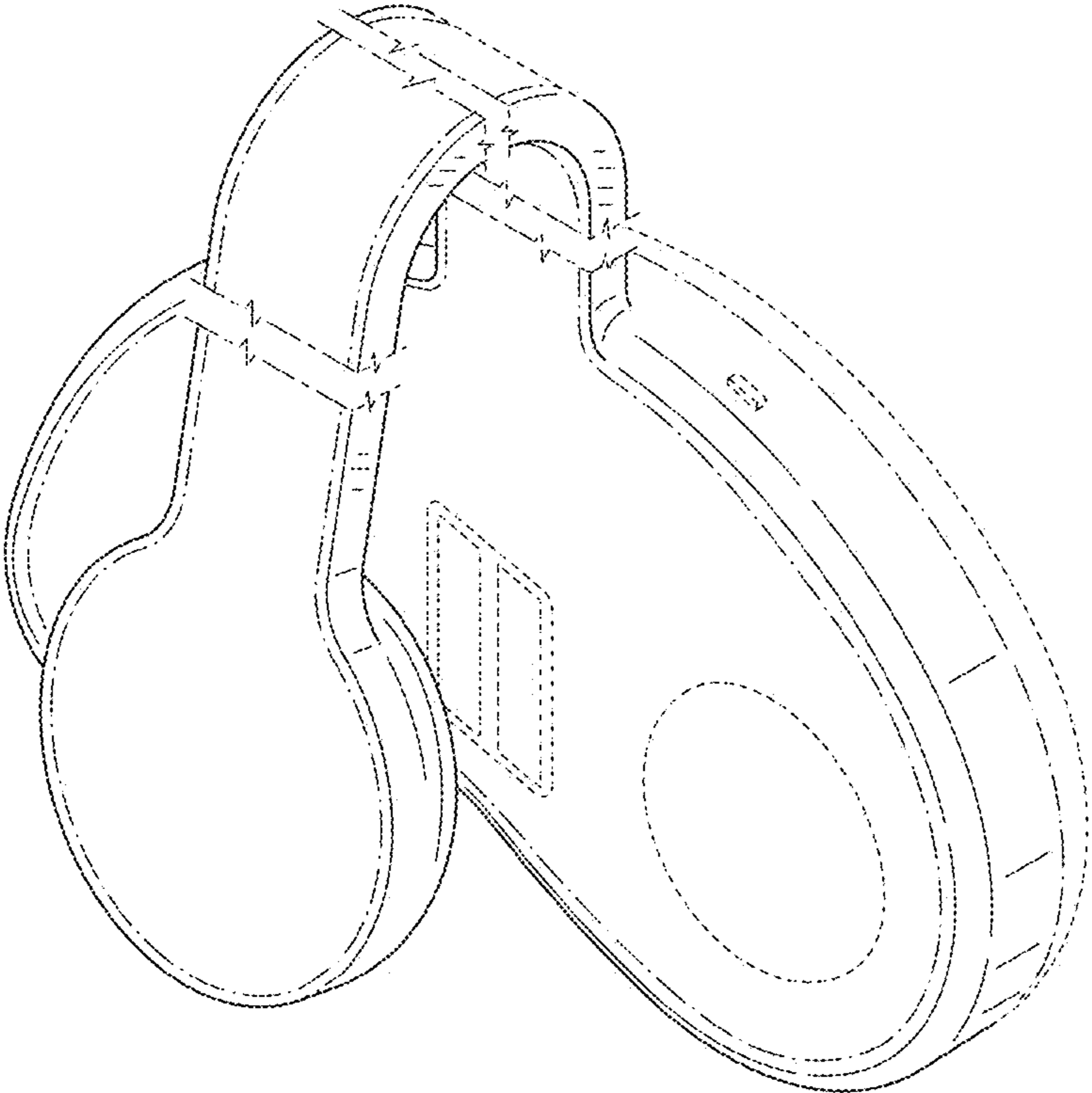


FIG.1

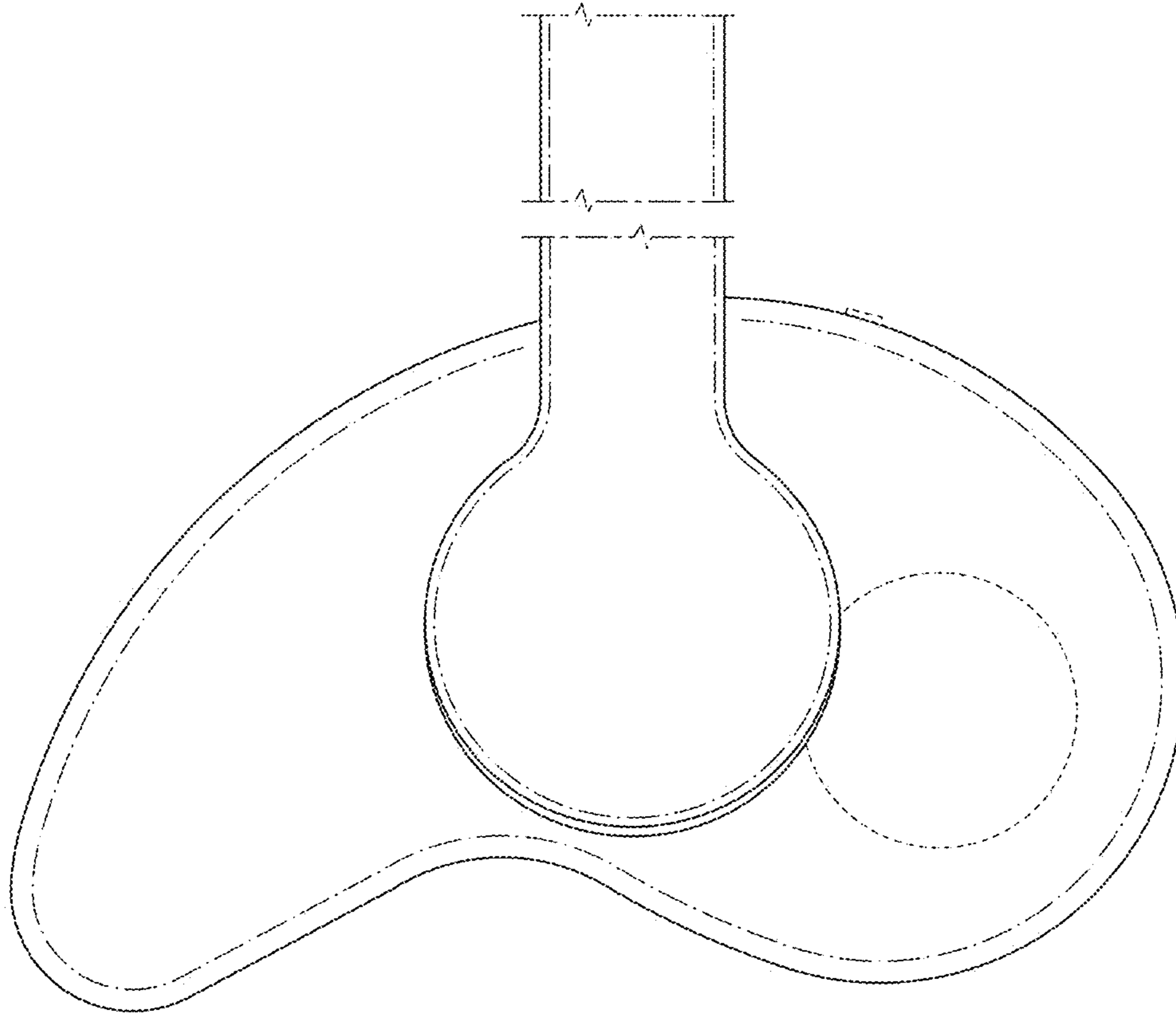


FIG.2

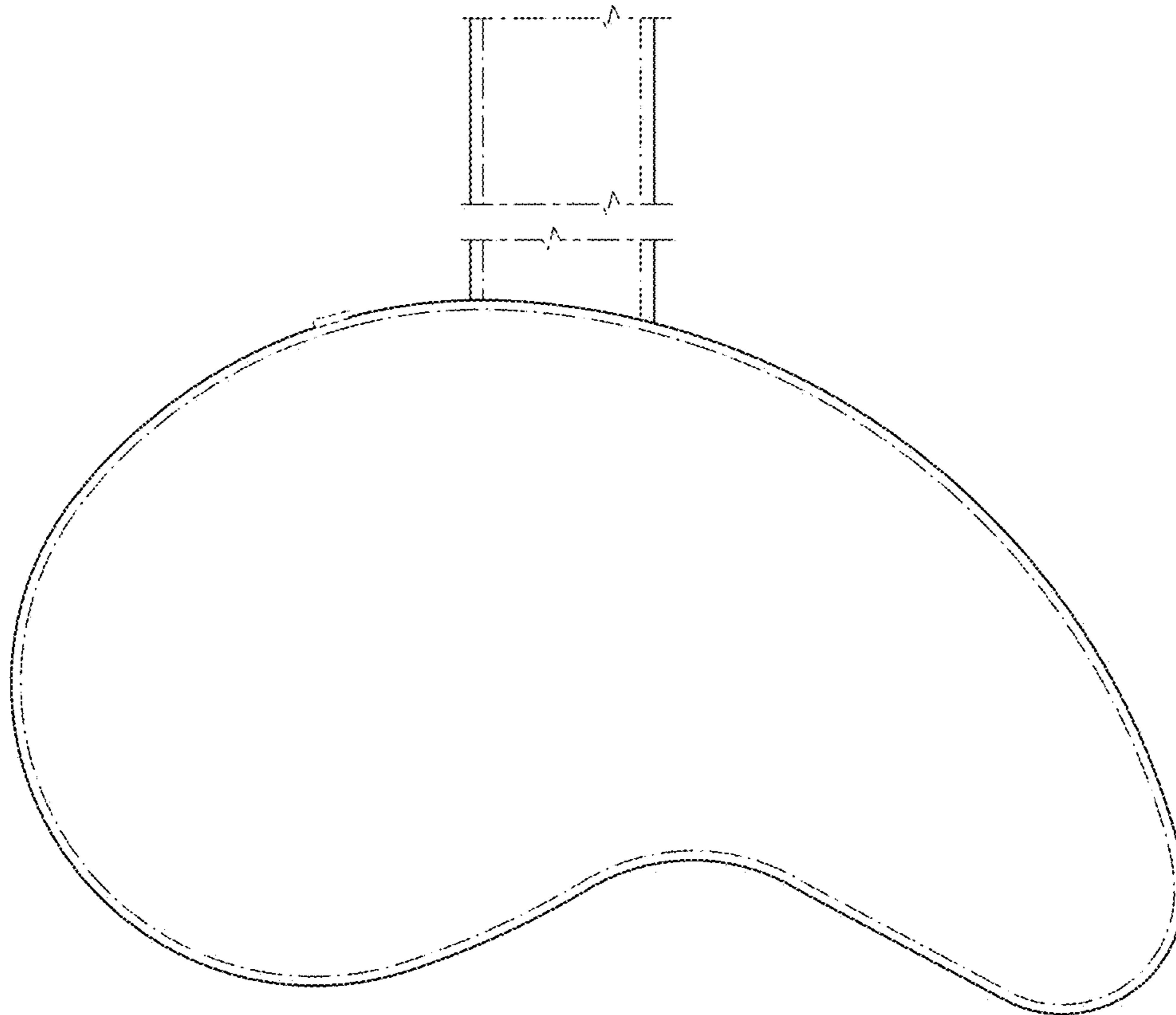


FIG.3

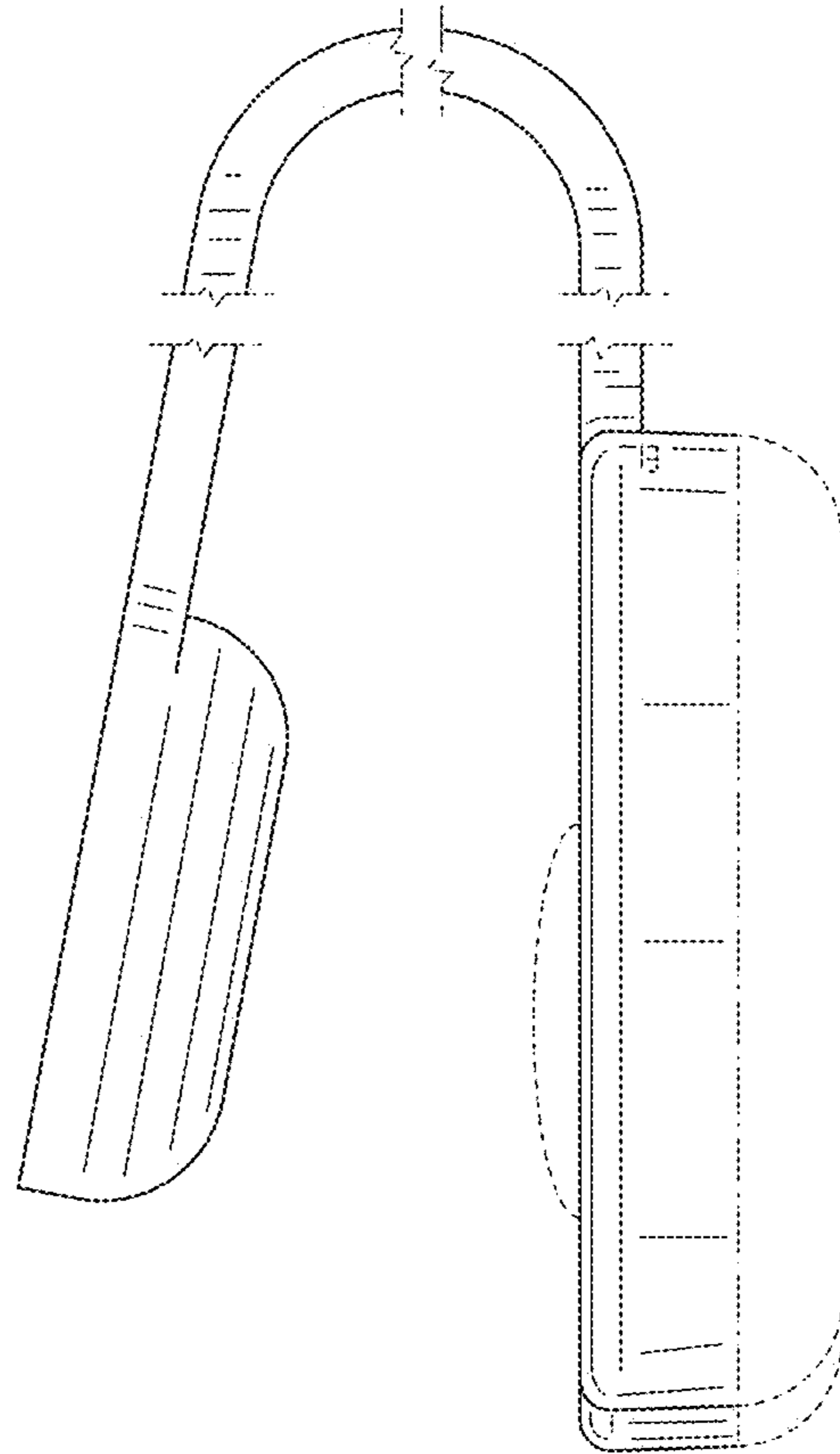


FIG.4

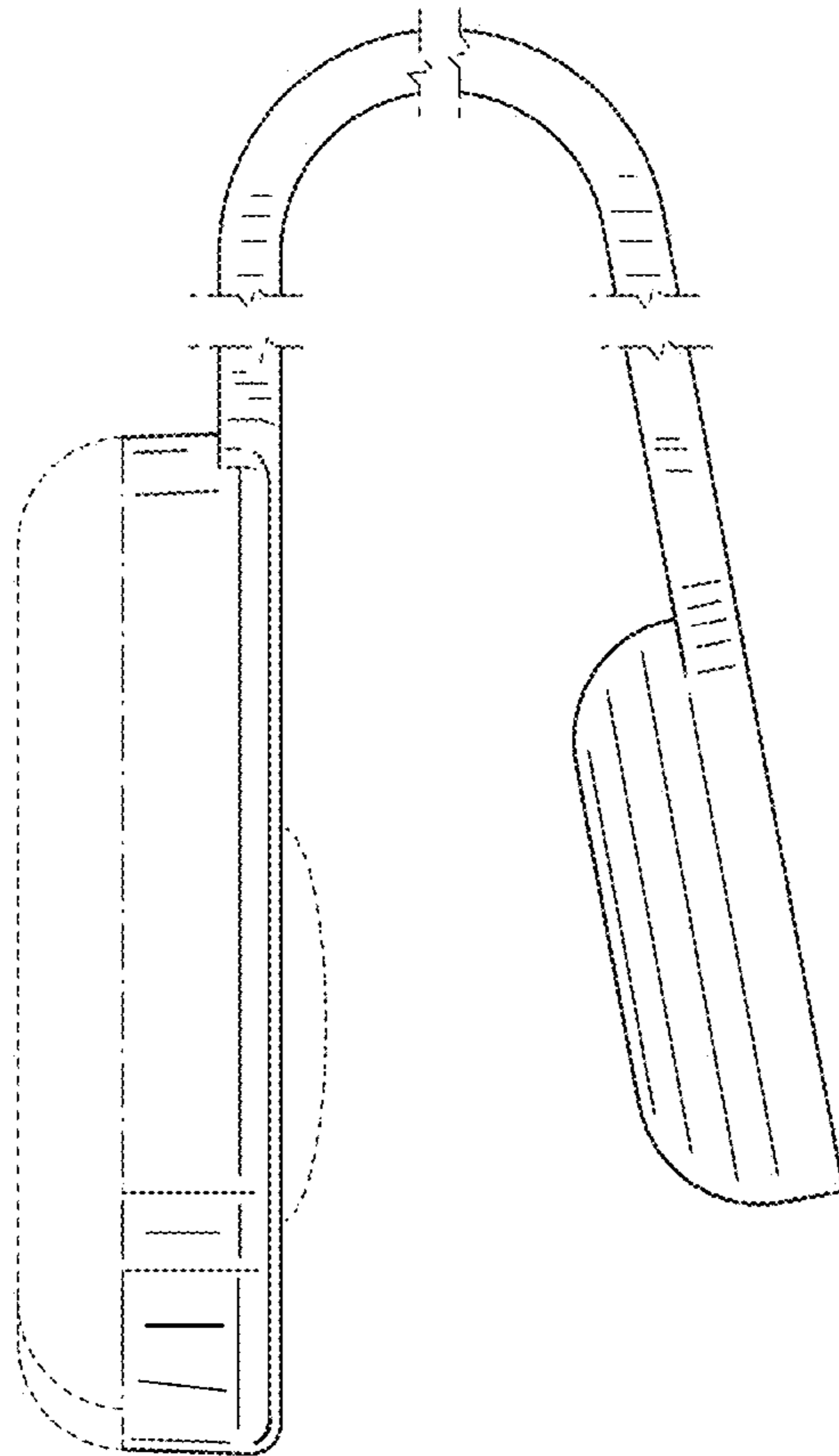


FIG.5

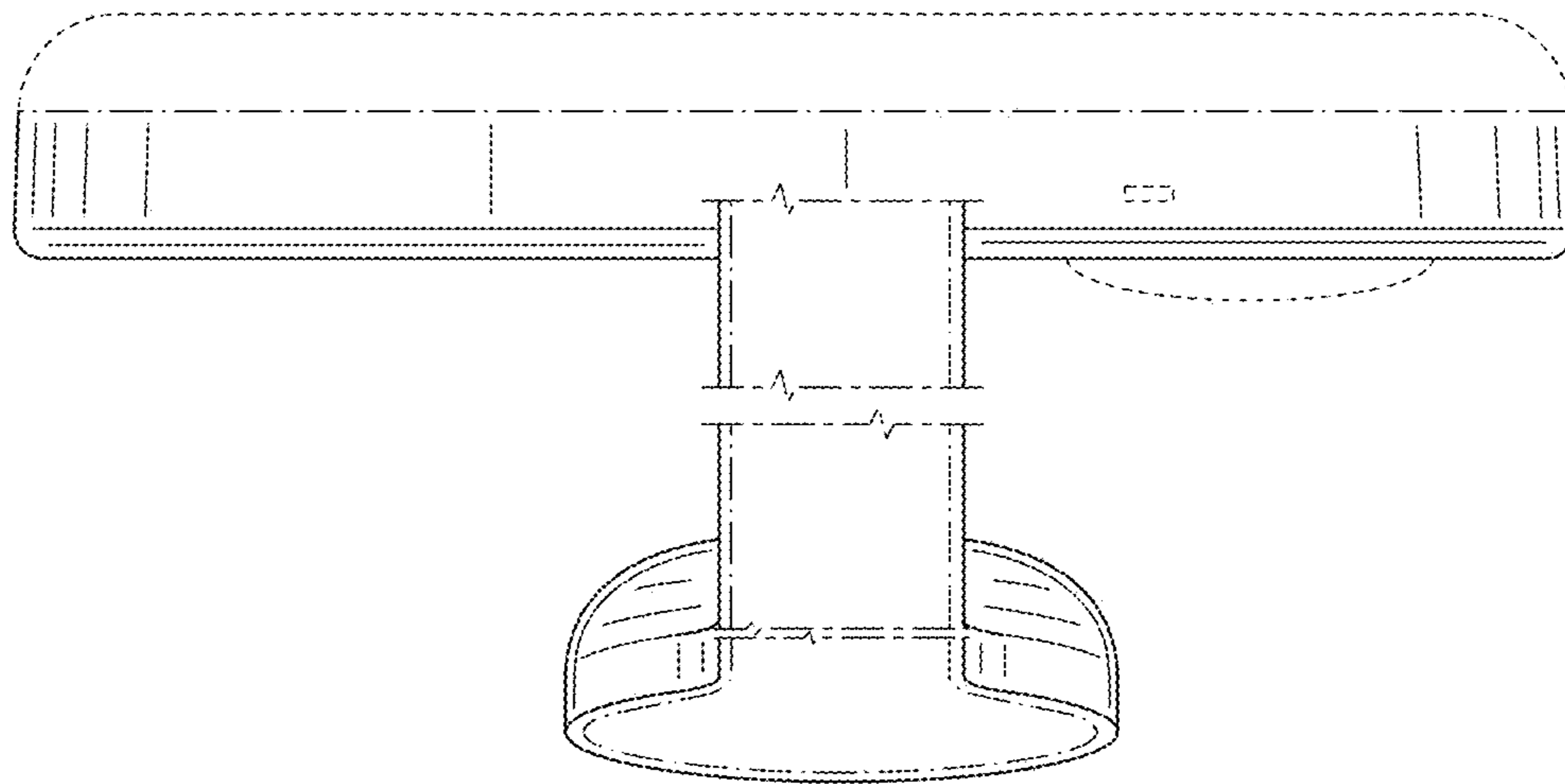


FIG.6

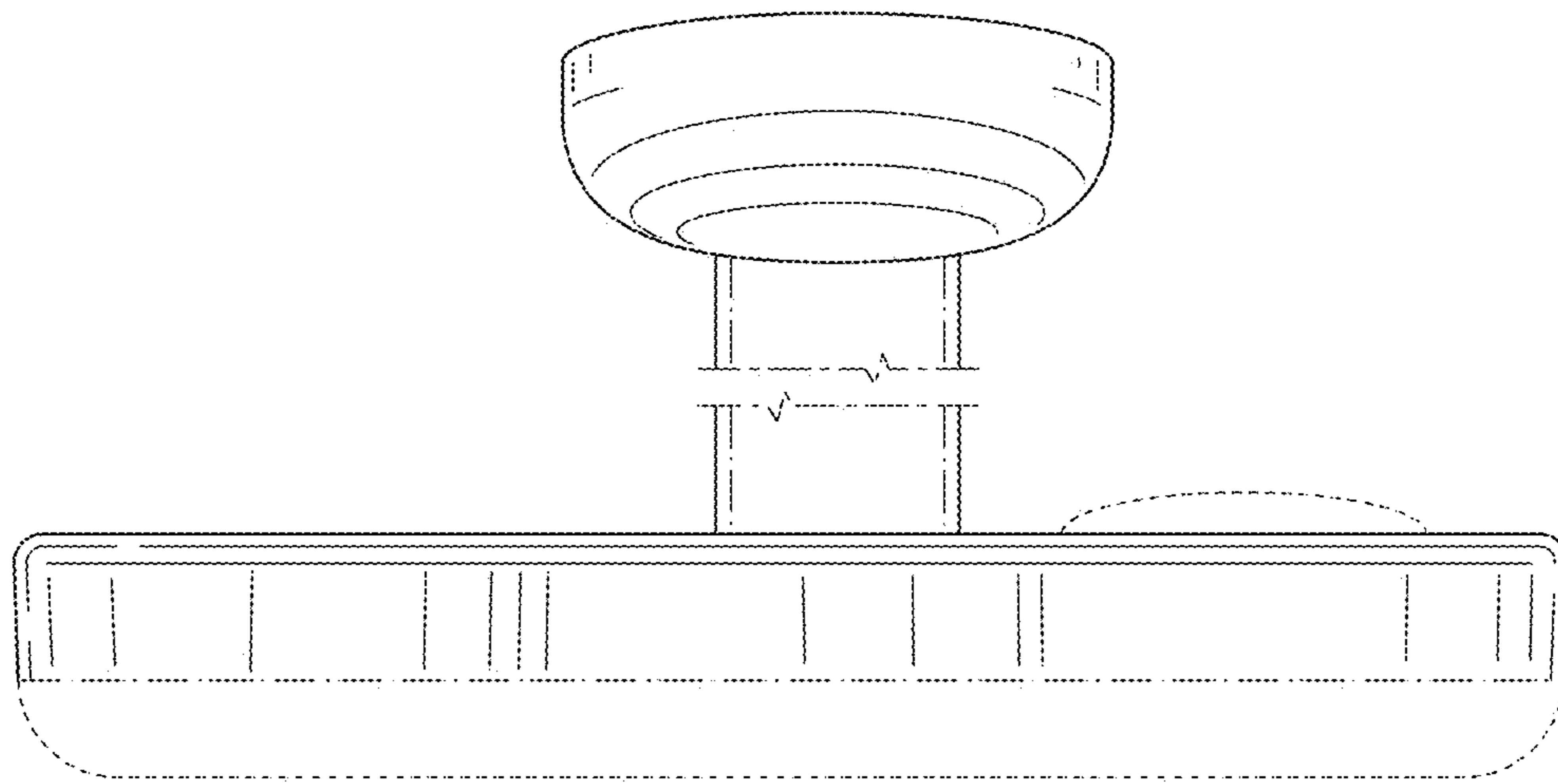


FIG. 7