



US00D903876S

(12) **United States Design Patent** (10) **Patent No.:** **US D903,876 S**
Emery et al. (45) **Date of Patent:** **** Dec. 1, 2020**

(54) **ULTRASOUND THERAPEUTIC TREATMENT CART**

(71) Applicant: **Ulthera, Inc.**, Mesa, AZ (US)

(72) Inventors: **Charles D. Emery**, Gilbert, AZ (US); **Brian Lee Prout**, Gilbert, AZ (US); **Jessica A. Newhard**, Scottsdale, AZ (US); **Alexander Michael Diener**, Seattle, WA (US); **Spencer Michael Denton**, Seattle, WA (US); **Kristin Marie Will**, Seattle, WA (US); **Luke David Springer**, Seattle, WA (US); **Eben Roy Sargent**, Missoula, MT (US); **Daniel S. Davidson**, Mill Creek, WA (US); **Byron A. Meseroll**, Woodinville, WA (US); **Michael M. Itano**, Seattle, WA (US)

(73) Assignee: **Ulthera, Inc.**, Mesa, AZ (US)

(**) Term: **15 Years**

(21) Appl. No.: **29/636,008**

(22) Filed: **Feb. 5, 2018**

(51) **LOC (12) Cl.** **24-02**

(52) **U.S. Cl.**
USPC **D24/185**

(58) **Field of Classification Search**
USPC D24/185, 107, 158; D21/529
CPC A61G 7/005; A61G 12/001
See application file for complete search history.

(56) **References Cited**

U.S. PATENT DOCUMENTS

2,575,661 A * 11/1951 Hickey A61G 12/001
211/85.14
D438,952 S * 3/2001 Cimino D24/107

D559,922 S * 1/2008 Kim D21/529
D687,147 S * 7/2013 Yoshida D24/185
D696,783 S * 12/2013 Chung D24/185
9,622,827 B2 * 4/2017 Yu A61G 7/005
D810,305 S * 2/2018 Zhang D24/185
D861,167 S * 9/2019 Emery D24/158
D877,342 S * 3/2020 Canady D24/185
D877,343 S * 3/2020 Canady D24/185

* cited by examiner

Primary Examiner — Rhea Shields

(74) *Attorney, Agent, or Firm* — Knobbe Martens Olson & Bear LLP

(57) **CLAIM**

The ornamental design for an ultrasound therapeutic treatment cart, as shown and described.

DESCRIPTION

FIG. 1 is a left front top perspective view of an embodiment of an ultrasound therapeutic treatment cart embodying the new design.

FIG. 2 is a right rear bottom perspective view thereof.

FIG. 3 is a top view thereof.

FIG. 4 is a bottom view.

FIG. 5 is a right view.

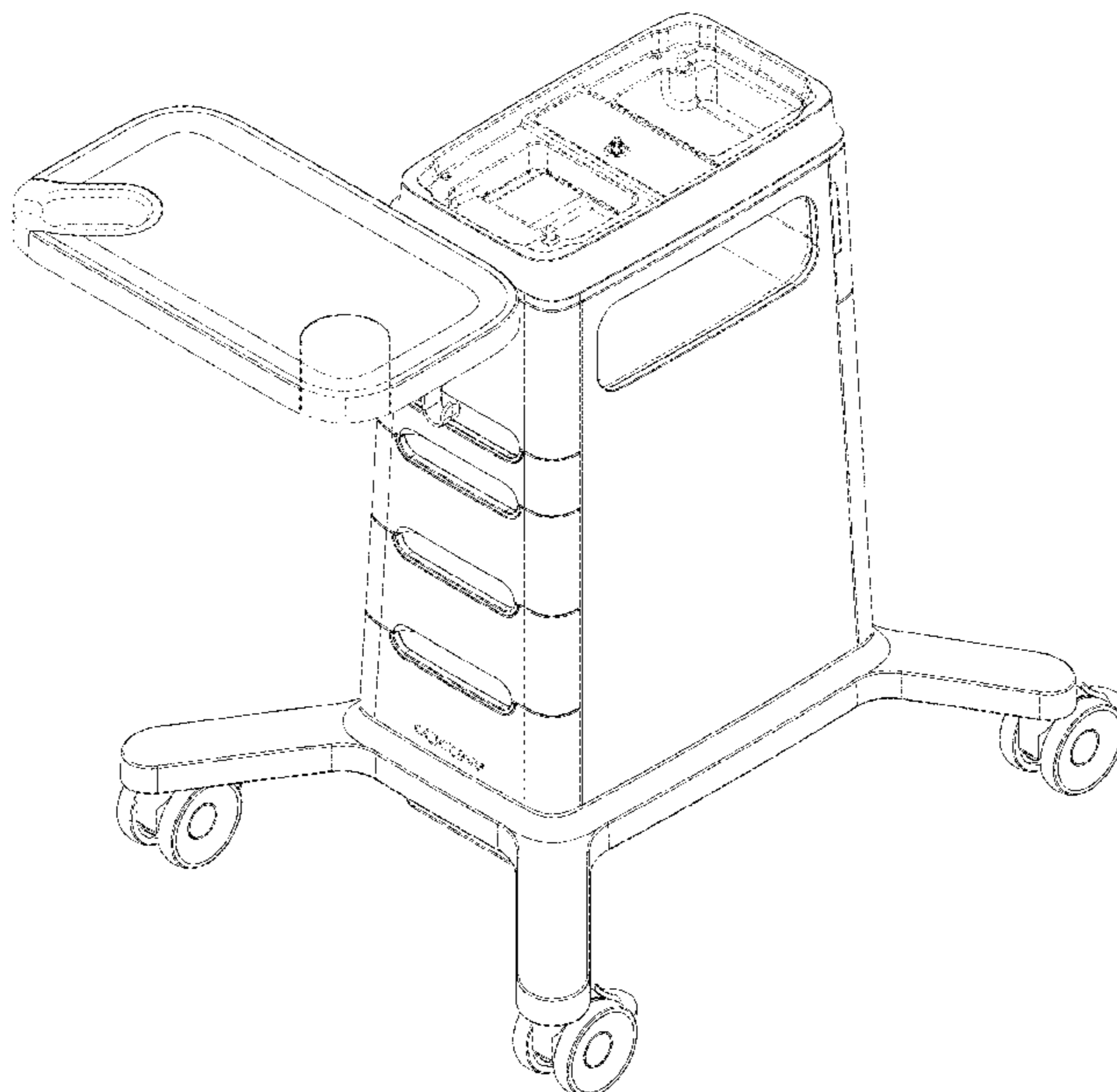
FIG. 6 is a left view.

FIG. 7 is a front view; and,

FIG. 8 is a rear view.

Broken lines are used to illustrate features of the ultrasound therapeutic treatment cart which form no part of the claimed design.

1 Claim, 8 Drawing Sheets



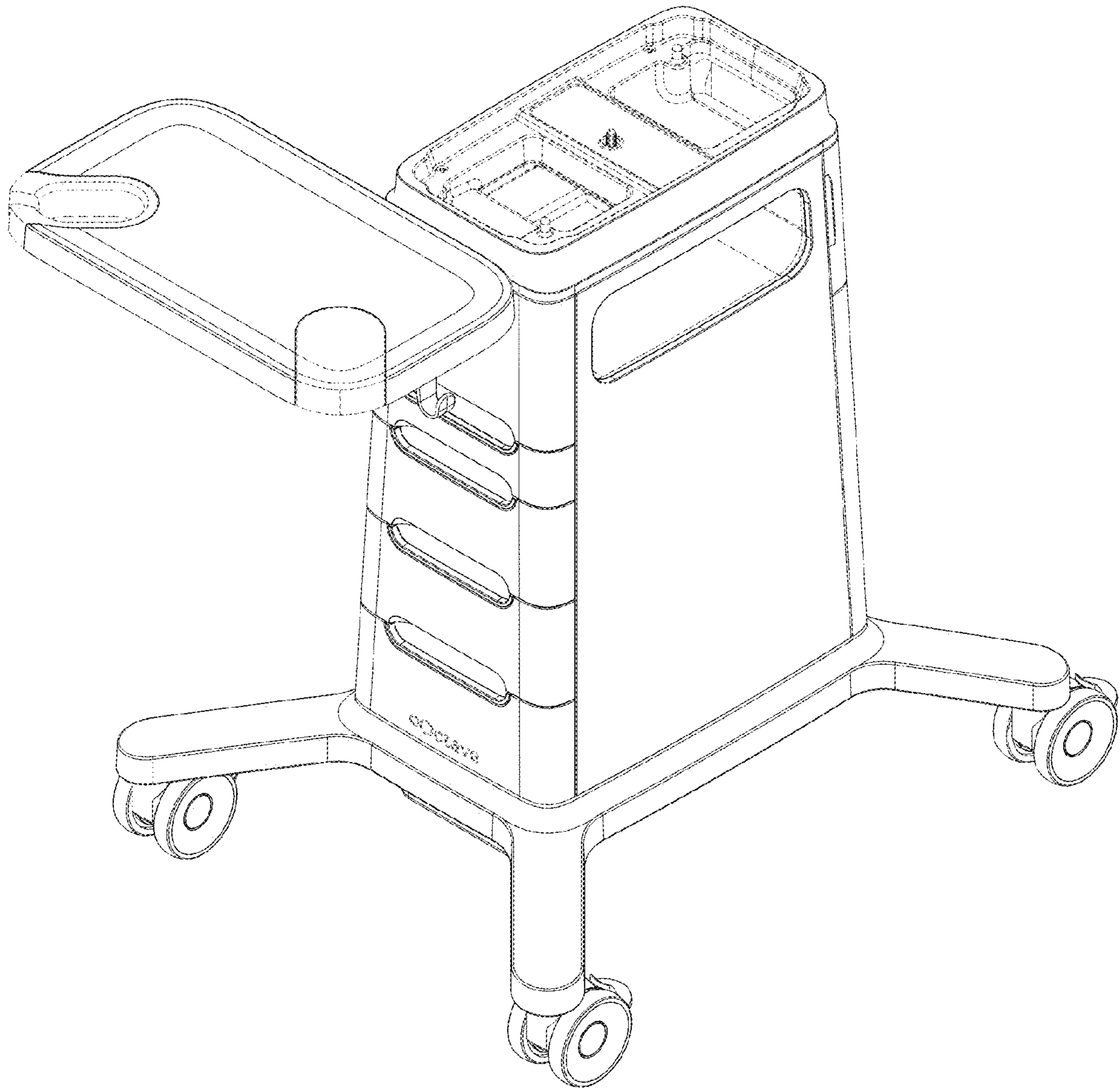


FIG. 1

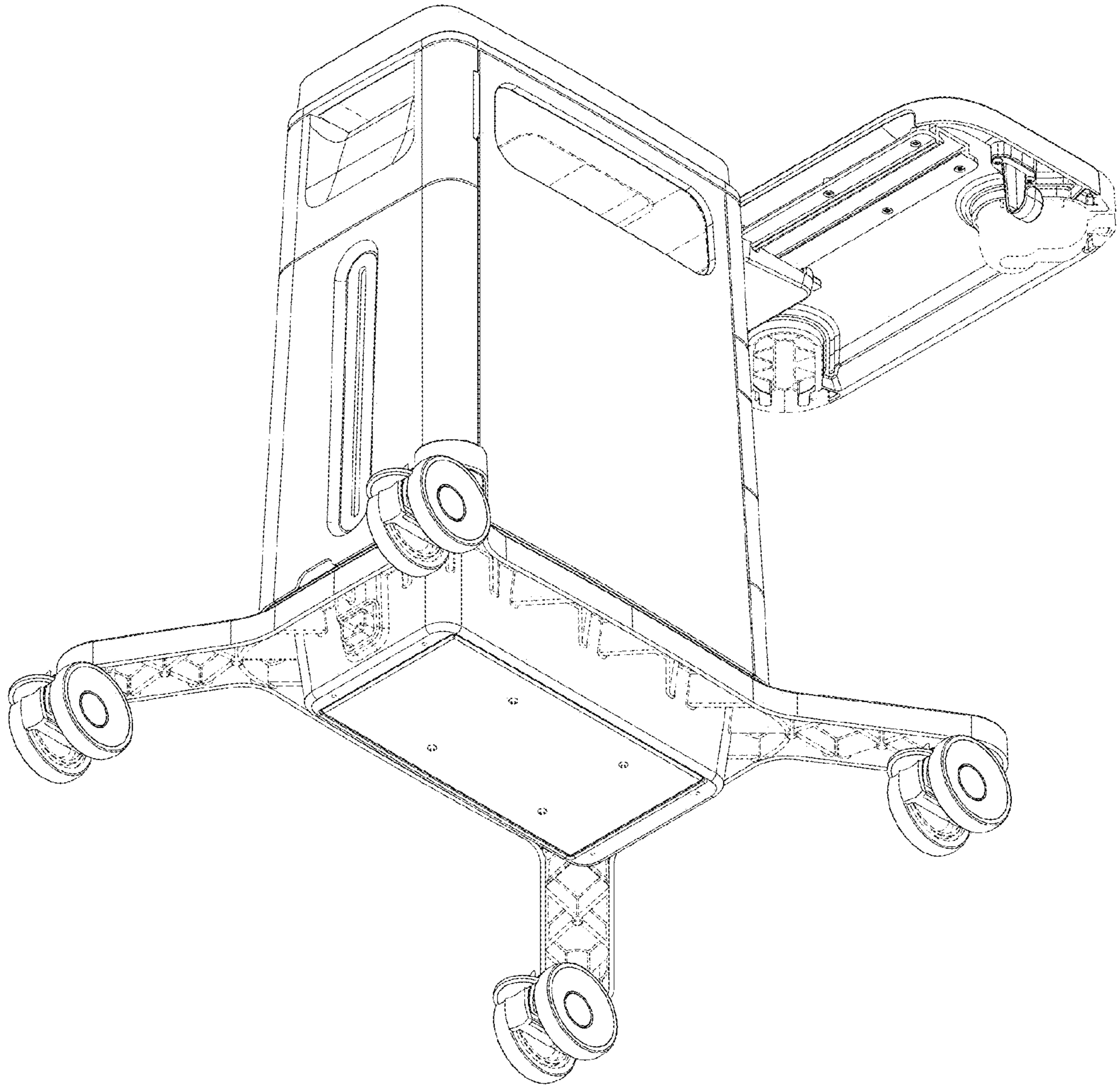


FIG. 2

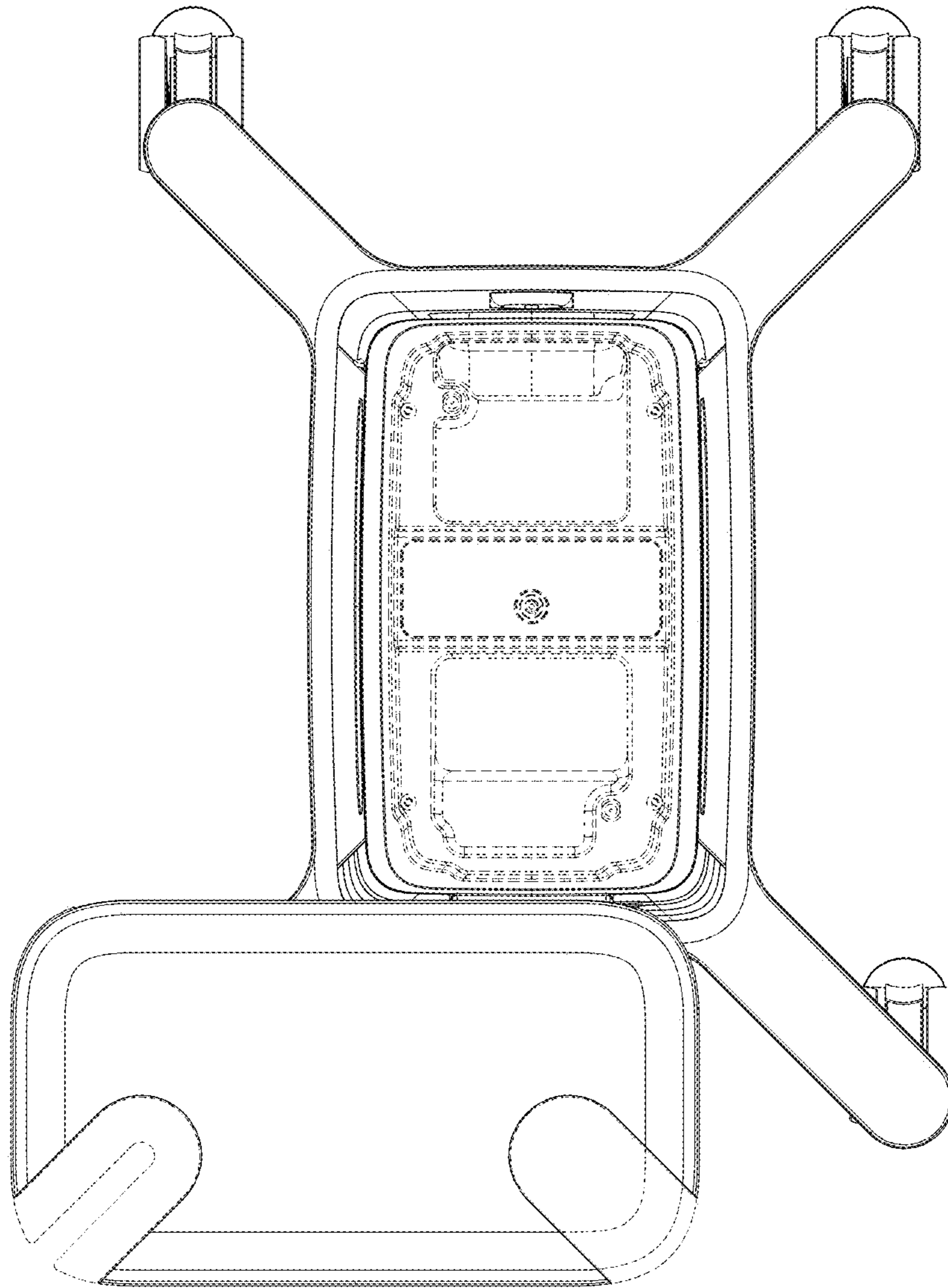


FIG. 3

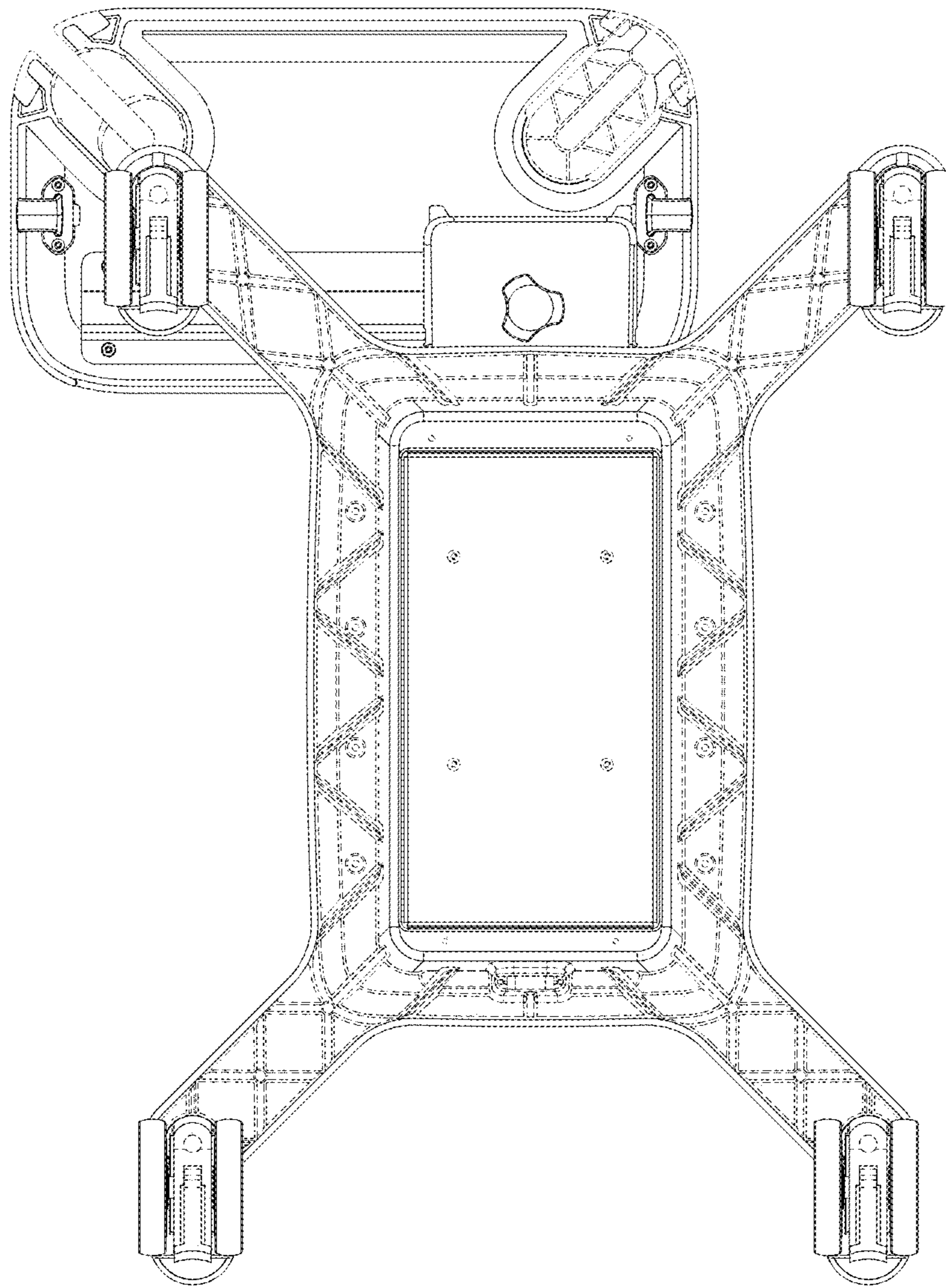


FIG. 4

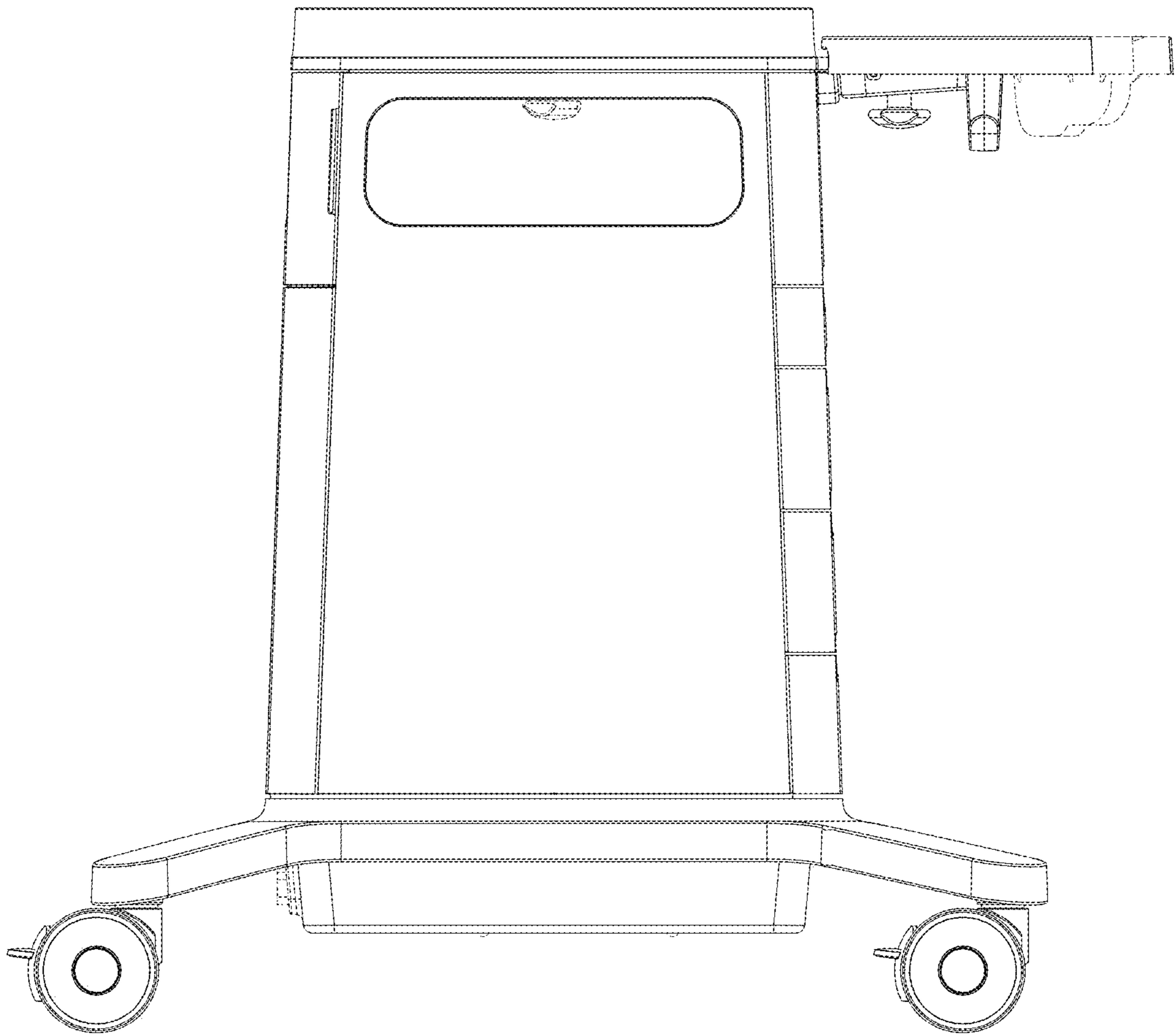


FIG. 5

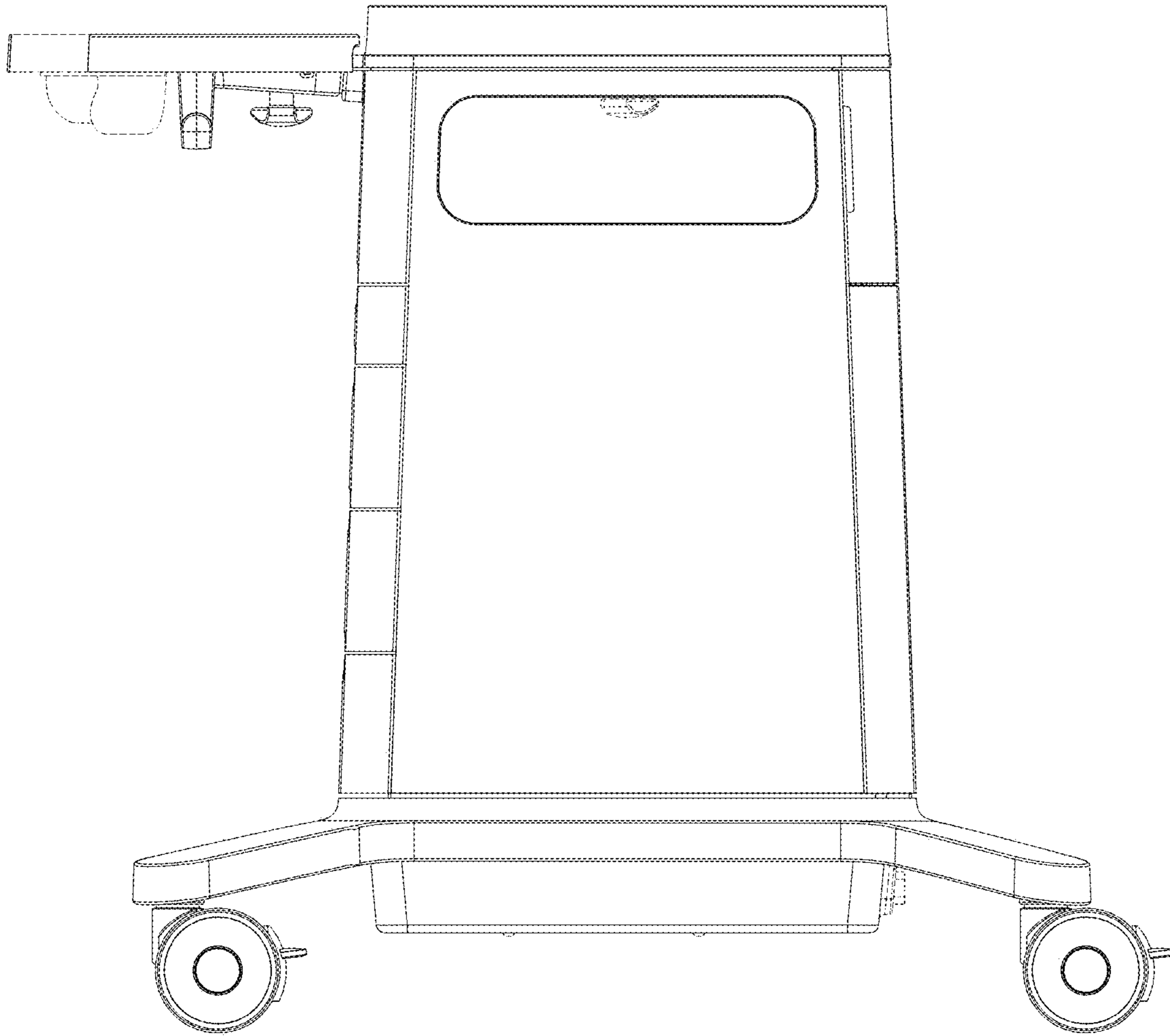


FIG. 6

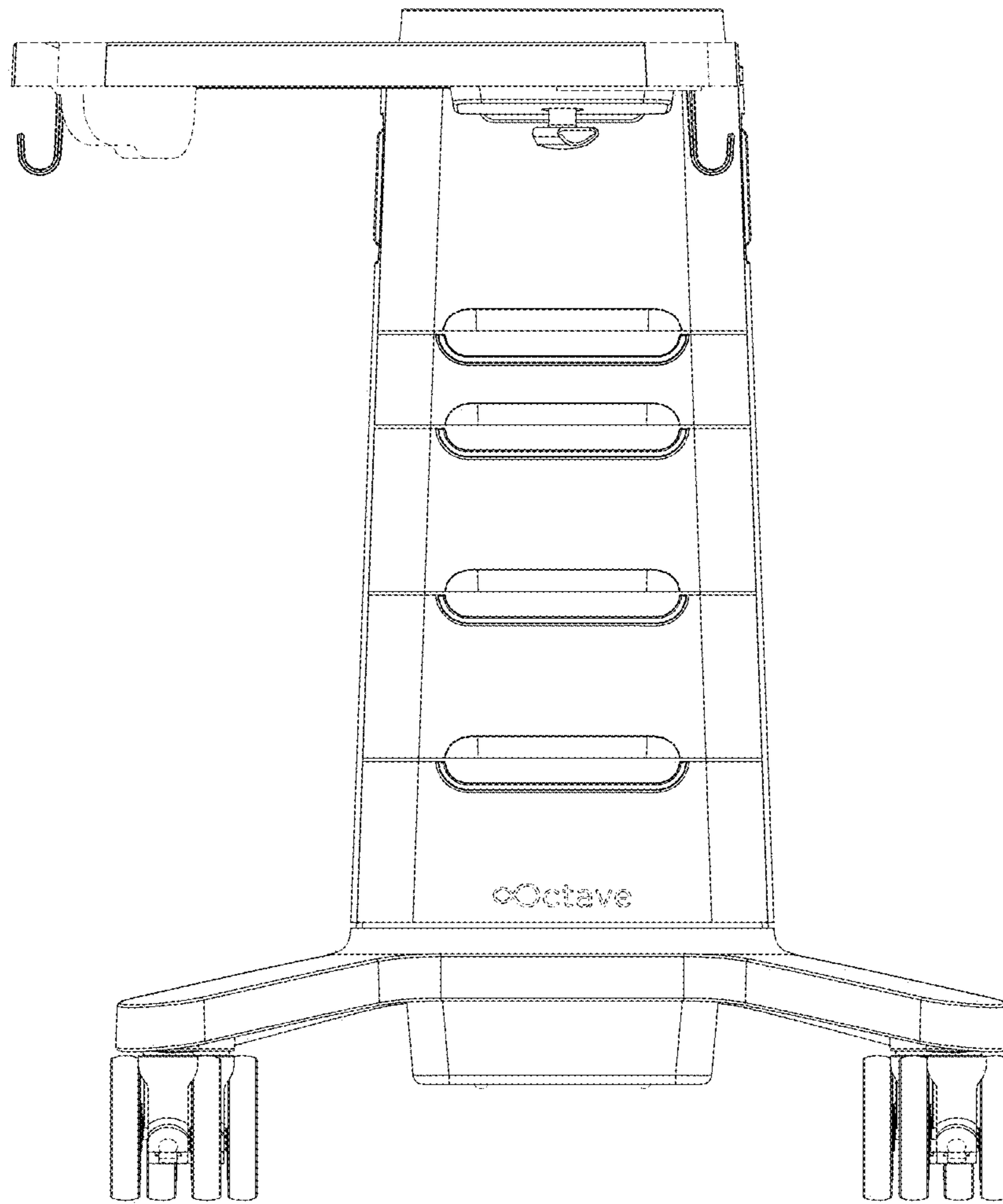


FIG. 7

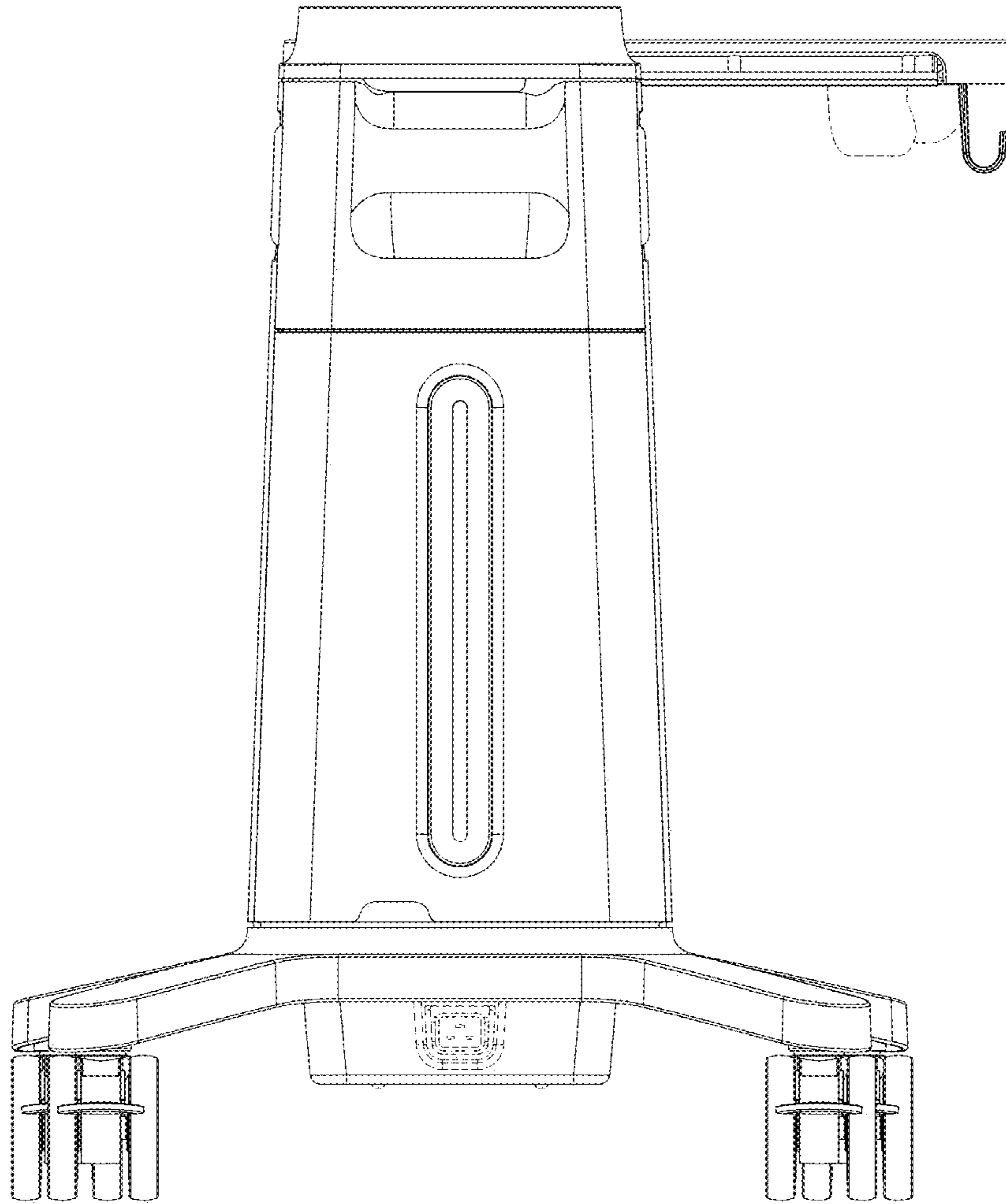


FIG. 8