



US00D903874S

(12) **United States Design Patent** (10) **Patent No.:** **US D903,874 S**  
**Alvarez et al.** (45) **Date of Patent:** **\*\* Dec. 1, 2020**

(54) **DENTAL CONTROL HEAD HOUSING**

(71) Applicant: **A-dec, Inc.**, Newberg, OR (US)

(72) Inventors: **Jason Alvarez**, Portland, OR (US);  
**Jonathan Wilson**, Beaverton, OR (US)

(73) Assignee: **A-dec, Inc.**, Newberg, OR (US)

(\*\*) Term: **15 Years**

(21) Appl. No.: **29/687,946**

(22) Filed: **Apr. 17, 2019**

(51) **LOC (12) Cl.** ..... **24-02**

(52) **U.S. Cl.**  
USPC ..... **D24/177**

(58) **Field of Classification Search**

USPC ..... D24/152-154, 176-182, 155, 156, 234,  
D24/133-135, 144-146, 151, 107, 108,  
D24/110.5, 184, 185, 209, 210, 223-229,  
D24/230; D29/108; D6/513, 514, 515;  
D13/162, 184

CPC .. A61C 5/00; A61C 5/12; A61C 5/122; A61C  
5/125; A61C 5/127; A61C 7/00; A61C  
7/18; A61C 15/00; A61C 15/04; A61C  
15/043; A61C 17/04; A61C 17/88; A61C  
7/10; A61C 7/16; A61C 7/36; A61C  
7/145; A61C 7/148; A61C 19/06; A61C  
19/063; A61C 19/066; A61C 7/12; A61C  
7/14; A61C 7/141; A61C 7/143; A61C  
7/287; A61C 7/146; A61C 17/20; A61C  
17/221; A61C 1/0023; A61C 1/0015;  
A61B 50/00; A61B 50/30; A61B 50/31;  
A61N 5/06; A61N 5/0603; A61N 5/0613;  
A61N 2005/0606

See application file for complete search history.

(56) **References Cited**

U.S. PATENT DOCUMENTS

D218,165 S \* 7/1970 Schleicher et al. .... D24/177  
4,952,146 A \* 8/1990 Doty ..... A61C 19/002  
312/209

D318,113 S \* 7/1991 Moutafis ..... D24/146  
D318,114 S \* 7/1991 Silbersky ..... D24/177  
D328,791 S \* 8/1992 Nordstrom ..... D24/177  
D349,162 S \* 7/1994 Nordstrom ..... D24/177  
D361,620 S \* 8/1995 Phleps ..... D24/177  
D378,416 S \* 3/1997 LaPlante ..... D24/177  
D400,249 S \* 10/1998 Holubar ..... D24/107  
D411,004 S \* 6/1999 Muller ..... D24/107  
D482,451 S \* 11/2003 Page ..... D24/176

(Continued)

**OTHER PUBLICATIONS**

Undercounter Dental delivery system,[site visited Jul. 17, 2020].  
Available from Internet. URL: <https://www.medicalexpo.com/prod/forest-dental/product-72232-576019.html> (Year: 2020).\*

(Continued)

*Primary Examiner* — T Chase Nelson

*Assistant Examiner* — Kelly L Gross

(74) *Attorney, Agent, or Firm* — Klarquit Sparkman, LLP

(57) **CLAIM**

We claim the ornamental design for a dental control head housing, as shown and described.

**DESCRIPTION**

FIG. 1 is a perspective view of a dental control head housing.

FIG. 2 is a front elevational view thereof.

FIG. 3 is a rear elevational view thereof.

FIG. 4 is a right side elevational view thereof.

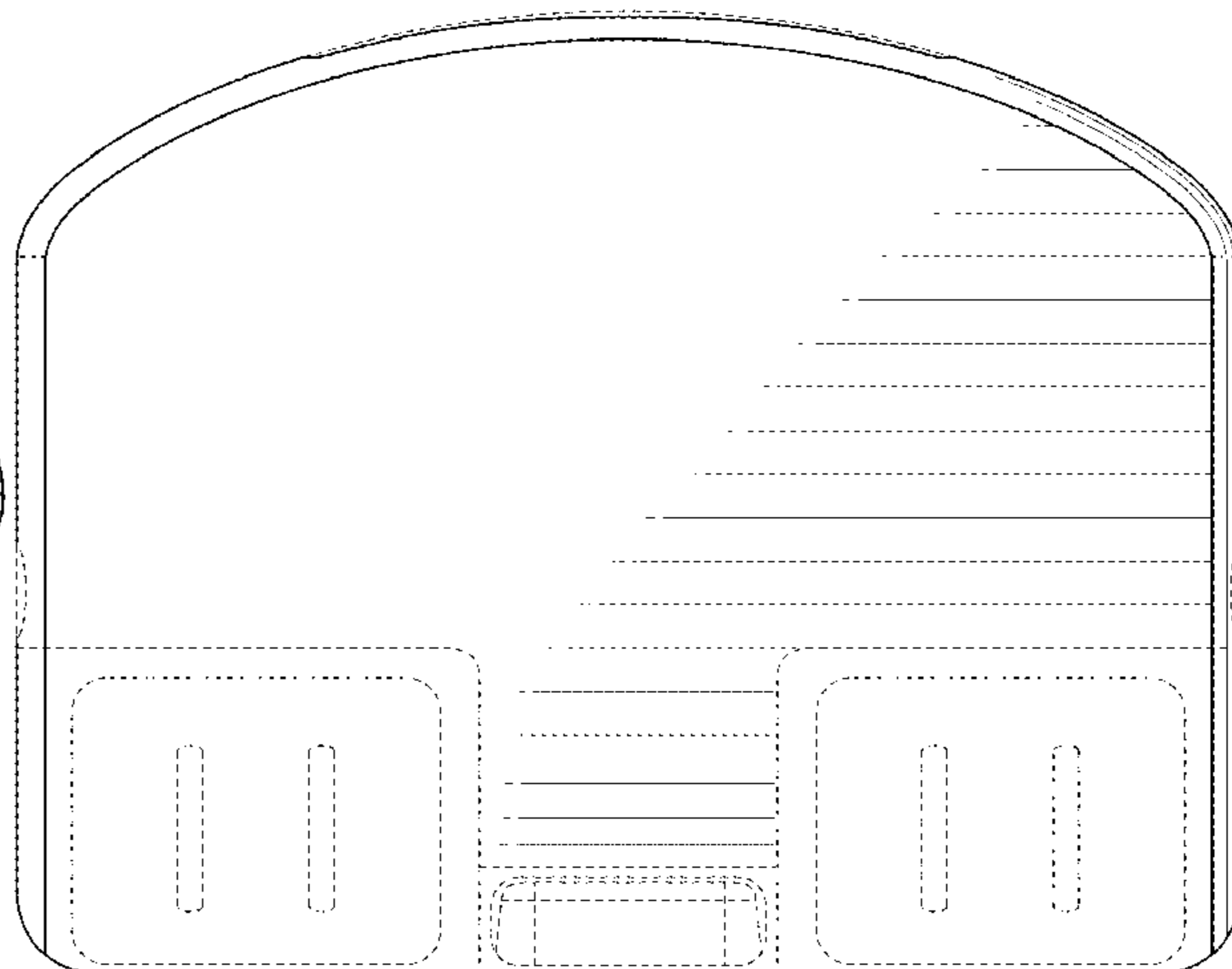
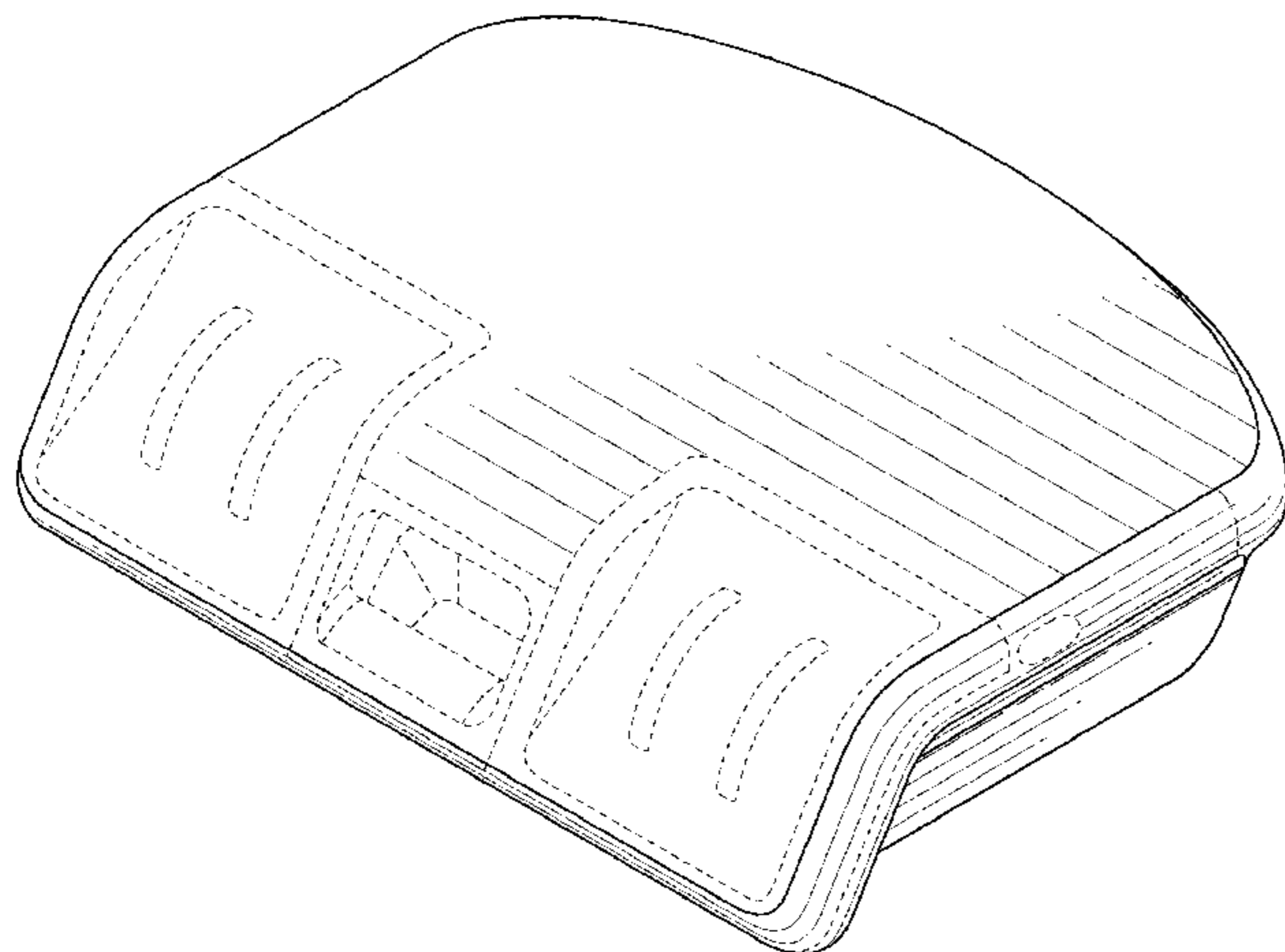
FIG. 5 is a left side elevational view thereof.

FIG. 6 is a top plan view thereof; and,

FIG. 7 is a bottom plan view thereof.

The broken lines and isolated, unshaded surfaces show portions of the dental control head housing that form no part of the claimed design.

**1 Claim, 5 Drawing Sheets**



(56)

References Cited

U.S. PATENT DOCUMENTS

D498,847 S \* 11/2004 Castellini ..... D24/177  
 D547,458 S \* 7/2007 Haymann ..... D15/131  
 D554,757 S \* 11/2007 Haymann ..... D14/389  
 D555,244 S \* 11/2007 Nakanishi ..... D24/176  
 D555,247 S \* 11/2007 Castellini ..... D24/177  
 D564,094 S \* 3/2008 Hayashi ..... D24/107  
 D566,190 S \* 4/2008 Kent ..... D19/86  
 D605,296 S \* 12/2009 Hosey ..... D24/177  
 D605,297 S \* 12/2009 Unsworth ..... D24/177  
 D605,771 S \* 12/2009 Unsworth ..... D24/177  
 D605,772 S \* 12/2009 Staufenberg ..... D24/177  
 D607,566 S \* 1/2010 Bukoski ..... D24/177  
 D607,567 S \* 1/2010 Bukoski ..... D24/177  
 D612,514 S \* 3/2010 Johnston ..... D24/232  
 D618,353 S \* 6/2010 Sanga ..... D24/177  
 D621,512 S \* 8/2010 Bukoski ..... D24/177  
 D622,397 S \* 8/2010 Bukoski ..... D24/177  
 D629,529 S \* 12/2010 Russell, II ..... D24/217  
 D631,549 S \* 1/2011 Kagawa ..... D24/177  
 D639,945 S \* 6/2011 Goerge ..... D24/146  
 D647,205 S \* 10/2011 Matthias ..... D24/177  
 D663,423 S \* 7/2012 Kagawa ..... D24/177  
 D663,732 S \* 7/2012 Desmarais ..... D14/434  
 D669,992 S \* 10/2012 Schafer ..... D24/170  
 D670,392 S \* 11/2012 Kagawa ..... D24/177  
 8,314,605 B2 \* 11/2012 Pruckner ..... A61C 17/20  
 324/120  
 D682,432 S \* 5/2013 Khan ..... D24/186  
 D684,685 S \* 6/2013 Schneider ..... D24/111  
 D686,335 S \* 7/2013 Feuerabend ..... D24/216  
 D687,141 S \* 7/2013 Schneider ..... D24/108  
 D689,193 S \* 9/2013 Shinohara ..... D24/216  
 D689,864 S \* 9/2013 Vaughan ..... D14/421  
 D694,888 S \* 12/2013 Chung ..... D24/169  
 D695,407 S \* 12/2013 Price ..... A61B 18/1206  
 D24/170  
 D700,341 S \* 2/2014 Uozumi ..... D24/165

D702,852 S \* 4/2014 Podhasky ..... D24/216  
 D703,311 S \* 4/2014 Daly ..... D24/110  
 D712,031 S \* 8/2014 Feng ..... D24/144  
 D717,965 S \* 11/2014 Sanga ..... D24/217  
 D728,776 S \* 5/2015 Rogers ..... D24/107  
 D735,878 S \* 8/2015 Chang ..... D24/216  
 D737,447 S \* 8/2015 Fluxman ..... D24/169  
 D737,449 S \* 8/2015 Zheng ..... D24/170  
 D740,929 S \* 10/2015 Pipe ..... D24/108  
 D746,476 S \* 12/2015 Noda ..... D24/186  
 D748,803 S \* 2/2016 Zhang ..... D24/170  
 D749,741 S \* 2/2016 Sanga ..... D24/177  
 D751,717 S \* 3/2016 Kagawa ..... D24/177  
 D759,253 S \* 6/2016 Bar-Or ..... D24/186  
 D768,862 S \* 10/2016 Werner ..... D24/176  
 D770,626 S \* 11/2016 Werner ..... D24/176  
 D776,265 S \* 1/2017 Tyce ..... D24/113  
 D788,311 S \* 5/2017 Sanga ..... D24/176  
 D799,035 S \* 10/2017 Shimobayashi ..... D24/138  
 D812,218 S \* 3/2018 Lacy ..... D24/111  
 D812,230 S \* 3/2018 Silvonen ..... D24/177  
 D813,391 S \* 3/2018 Duncan ..... D24/152  
 D828,574 S \* 9/2018 Fujiwara ..... D24/216  
 D854,188 S \* 7/2019 Schaecken ..... D24/232  
 D865,182 S \* 10/2019 Richter ..... D24/186  
 D868,236 S \* 11/2019 Frampton ..... D24/107  
 D874,017 S \* 1/2020 Jenoski ..... D24/216  
 D877,321 S \* 3/2020 DiMatteo ..... D24/110  
 D878,578 S \* 3/2020 Onuma ..... D24/138  
 D887,006 S \* 6/2020 Frenkler ..... A61C 19/002  
 D24/176

OTHER PUBLICATIONS

The Forest Doctor and Assistant Carts,[site visited Jul. 17, 2020]. Available from Internet. URL: <https://forestdental.com/project/cart-5386/> (Year: 2020).\*  
 "Instructions for Use: A-dec 500 Delivery Systems: Models 532,533, and 542," *A-dec Inc.*, 2014, 40pp.

\* cited by examiner

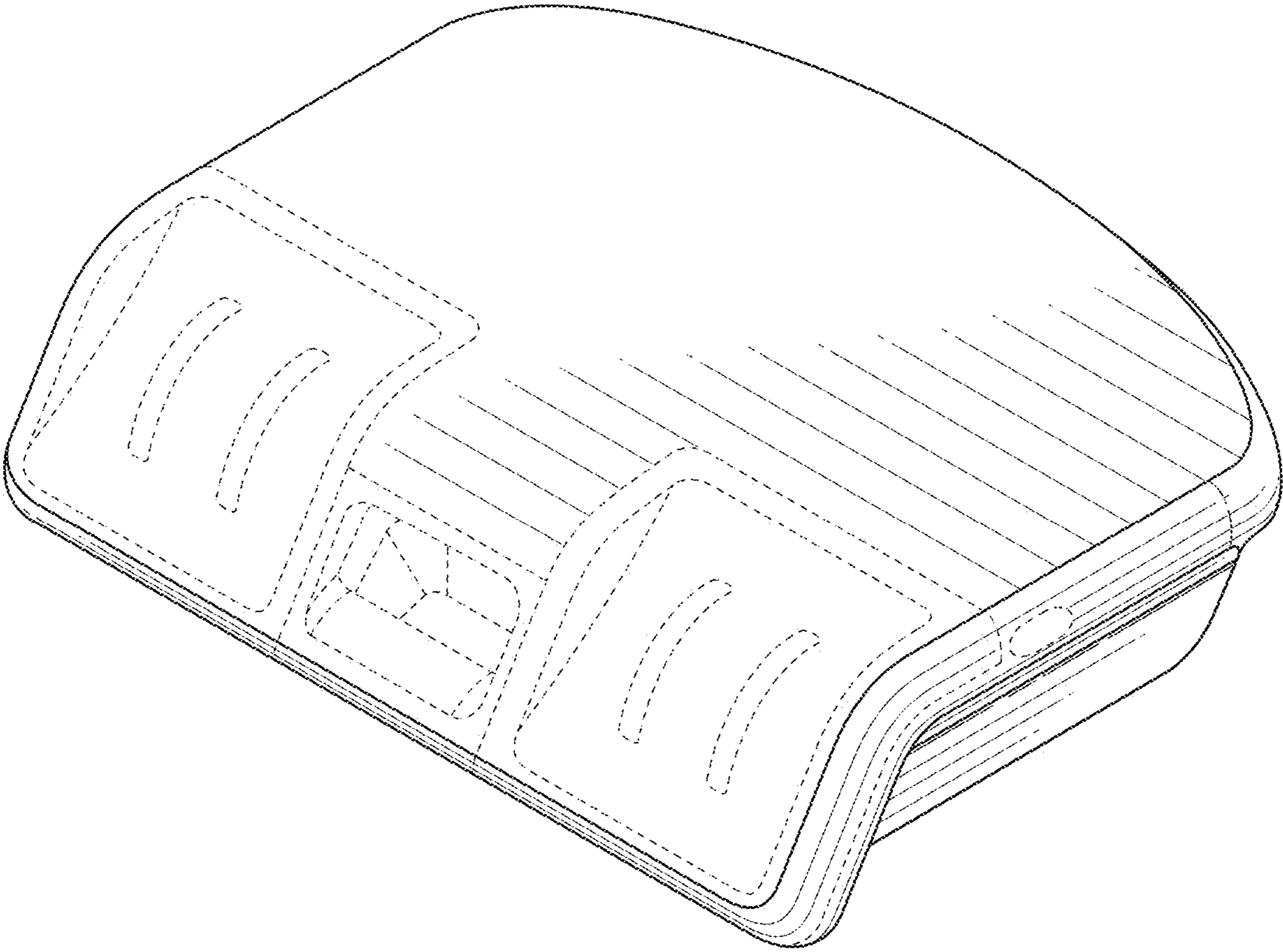


FIG. 1

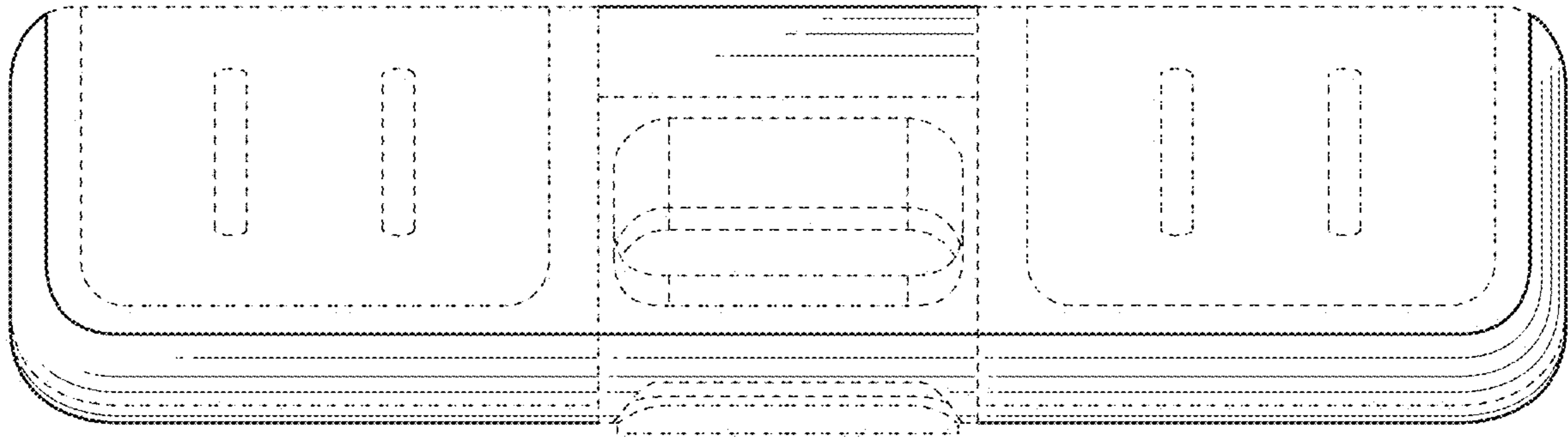


FIG. 2

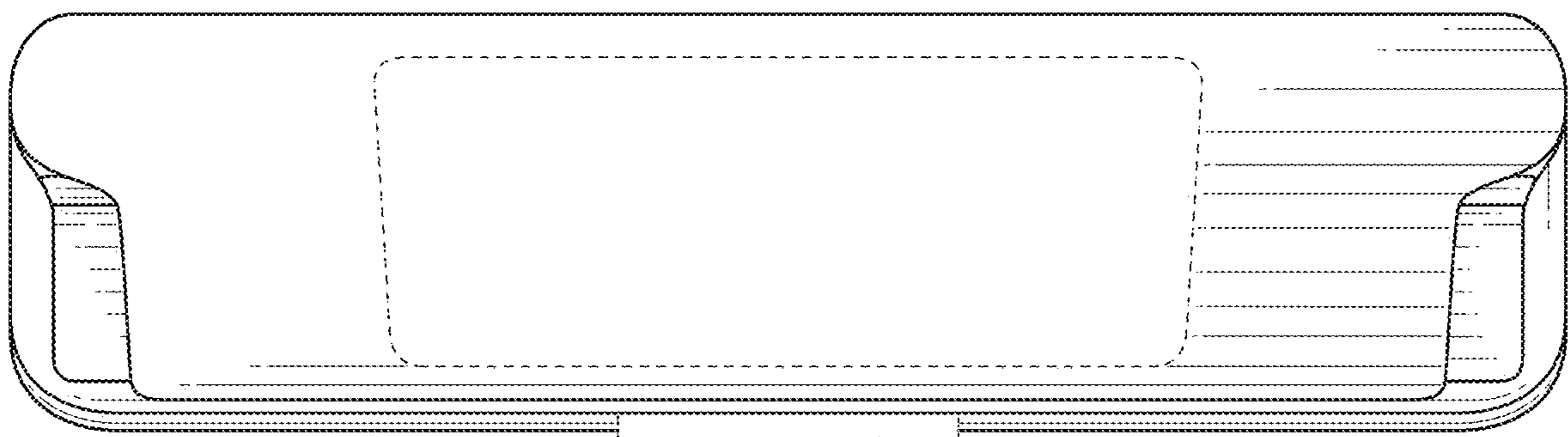


FIG. 3

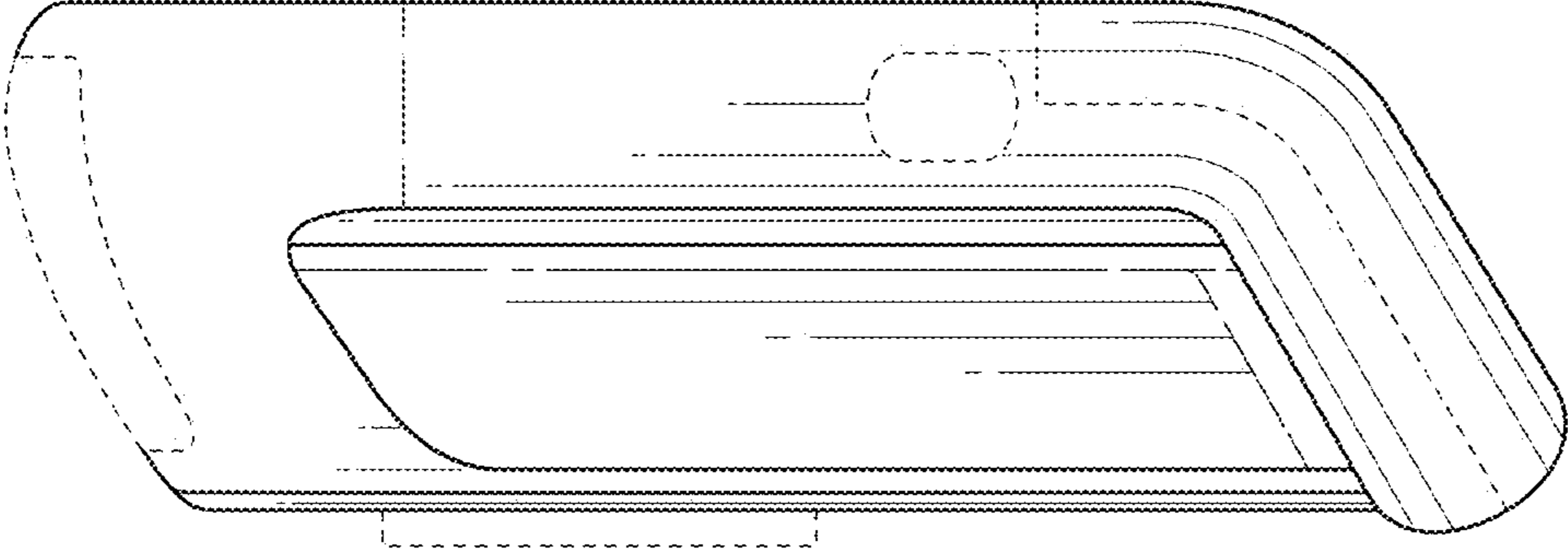


FIG. 4

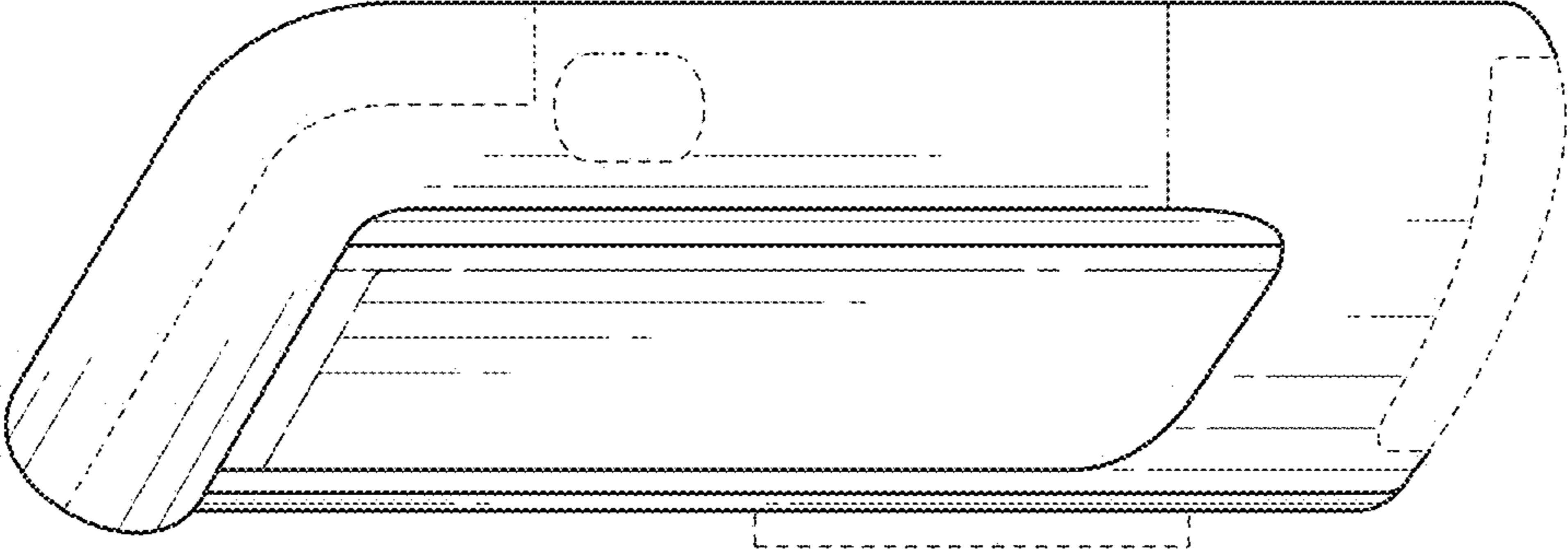


FIG. 5

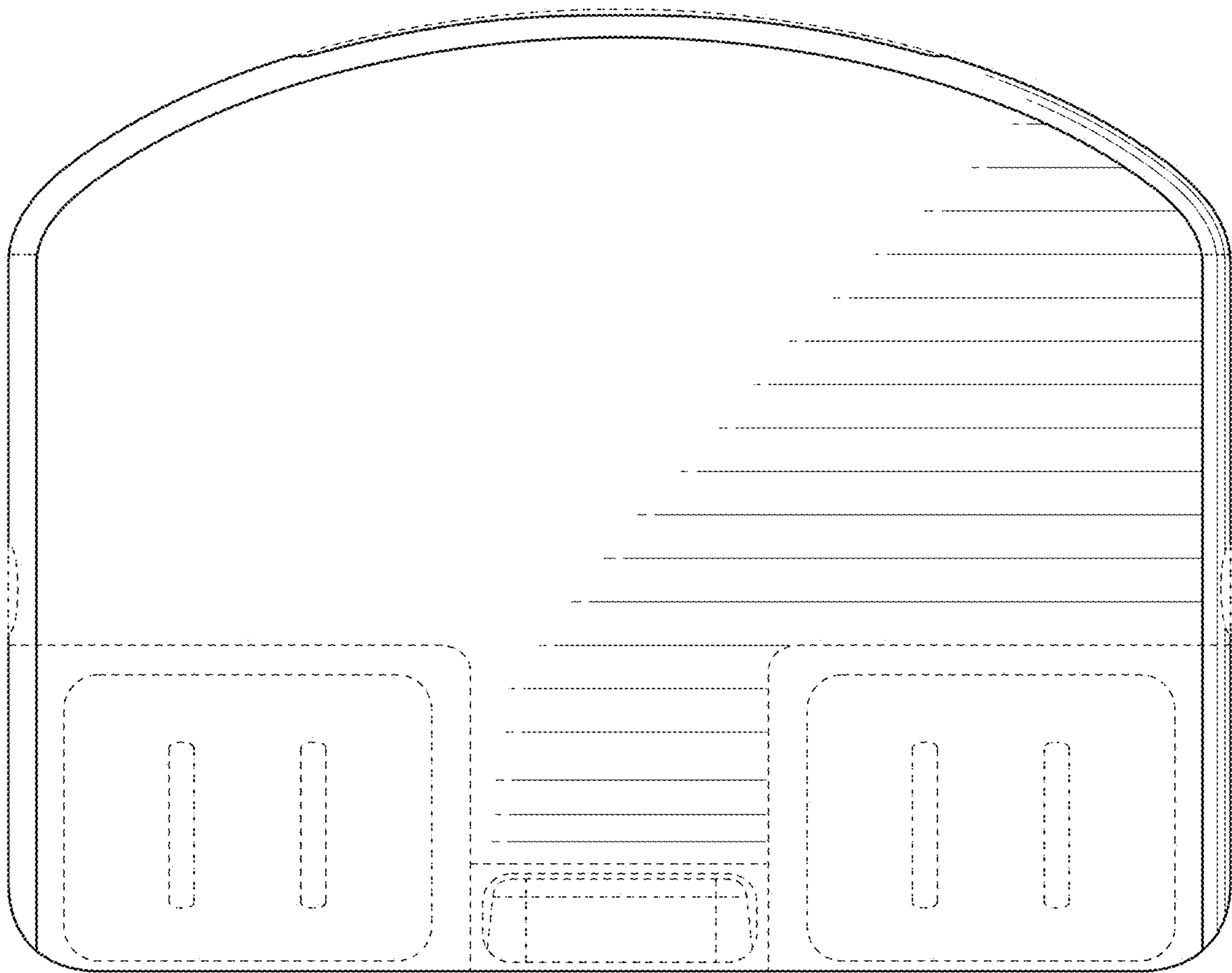


FIG. 6

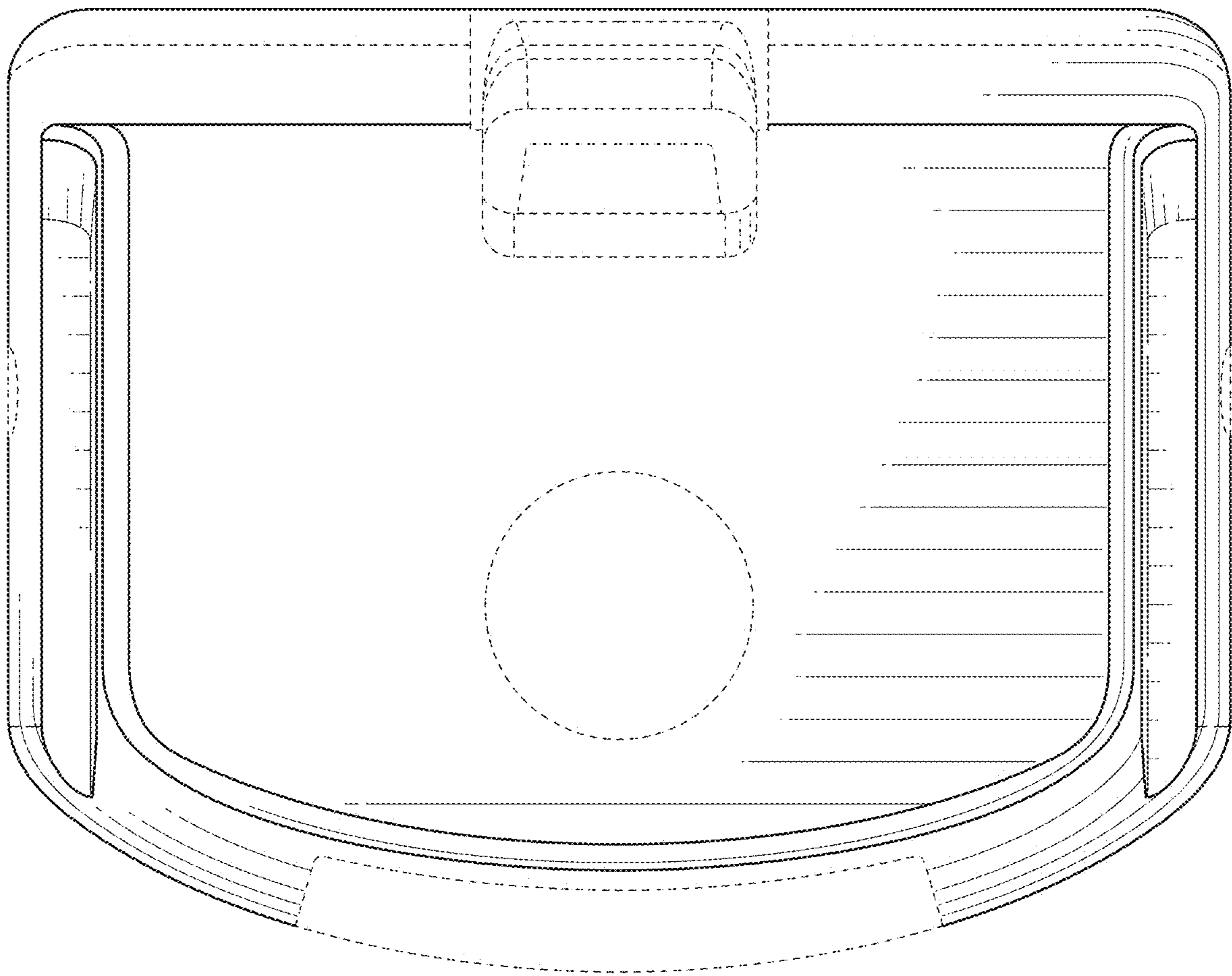


FIG. 7