



US00D903872S

(12) **United States Design Patent** (10) **Patent No.:** **US D903,872 S**
Wang (45) **Date of Patent:** **** Dec. 1, 2020**

(54) **OXIMETER**

D877,339 S * 3/2020 Xian D24/169
D893,727 S * 8/2020 Zhao D24/169
2010/0317944 A1* 12/2010 Wang A61B 5/6838
600/323

(71) Applicant: **SHENZHEN NOTO-TECH ELECTRONICS CO., LTD.**, Shenzhen (CN)

FOREIGN PATENT DOCUMENTS

(72) Inventor: **Wenxuan Wang**, Shenzhen (CN)

CN 201830420851 * 8/2018
EM 007307855-0001 * 11/2019

(73) Assignee: **SHENZHEN NOTO-TECH ELECTRONICS CO., LTD.**, Shenzhen (CN)

OTHER PUBLICATIONS

(**) Term: **15 Years**

Finger Pulse Oximeter Oxygen Monitor Oxygen Saturation Monitor Fast Shipping Blood—China Black Sale, Price & Reviews Gearbest. Customer reviewed on Sep. 25, 2020.*

(21) Appl. No.: **29/741,182**

* cited by examiner

(22) Filed: **Jul. 10, 2020**

Primary Examiner — Anhdao Doan

(51) **LOC (12) Cl.** **24-02**

(52) **U.S. Cl.**
USPC **D24/169**

(57) **CLAIM**

(58) **Field of Classification Search**
USPC D24/107, 164–169, 186; D10/75, 70, 98
CPC G01N 33/66; G01N 33/49; G01N 33/493;
A61B 5/0205; A61B 5/02427; A61B 5/02438; A61B 5/14552; A61B 5/6626;
A61B 5/6638

The ornamental design for an oximeter, as shown and described.

See application file for complete search history.

DESCRIPTION

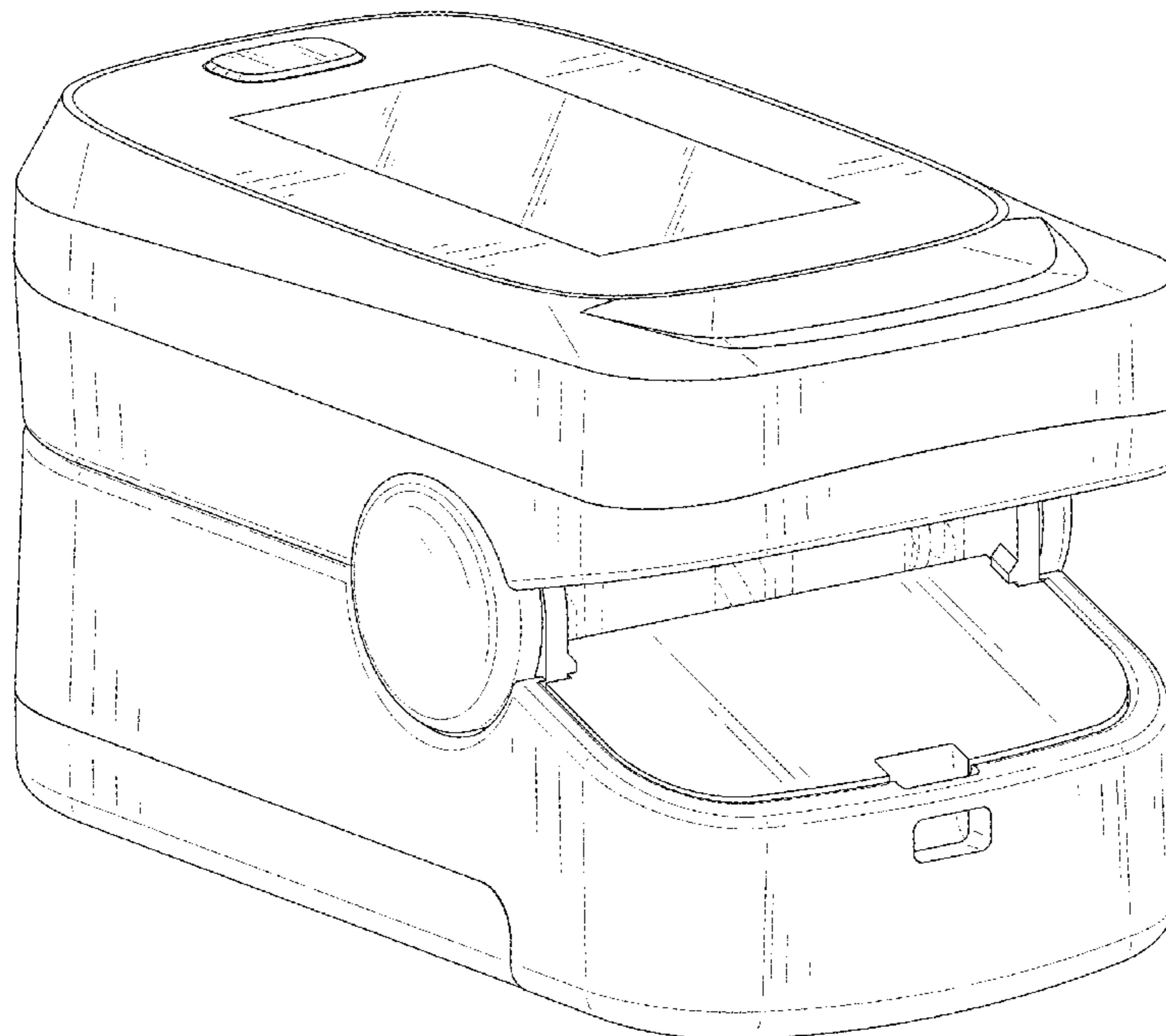
(56) **References Cited**

U.S. PATENT DOCUMENTS

6,731,962 B1* 5/2004 Katarow A61B 5/6838
128/903
D668,340 S 10/2012 Wang et al.
D670,388 S * 11/2012 Jin D24/169
D691,726 S * 10/2013 Jin D24/169
D782,045 S 3/2017 Chou et al.

FIG. 1 is a perspective view of an oximeter showing my new design;
FIG. 2 is another perspective view thereof;
FIG. 3 is a front elevational view thereof;
FIG. 4 is a rear elevational view thereof;
FIG. 5 is a left side elevational view thereof;
FIG. 6 is a right side elevational view thereof;
FIG. 7 is a top plan view thereof; and,
FIG. 8 is a bottom plan view thereof.
The broken lines in the drawings depict portions of the oximeter that form no part of the claimed design.

1 Claim, 8 Drawing Sheets



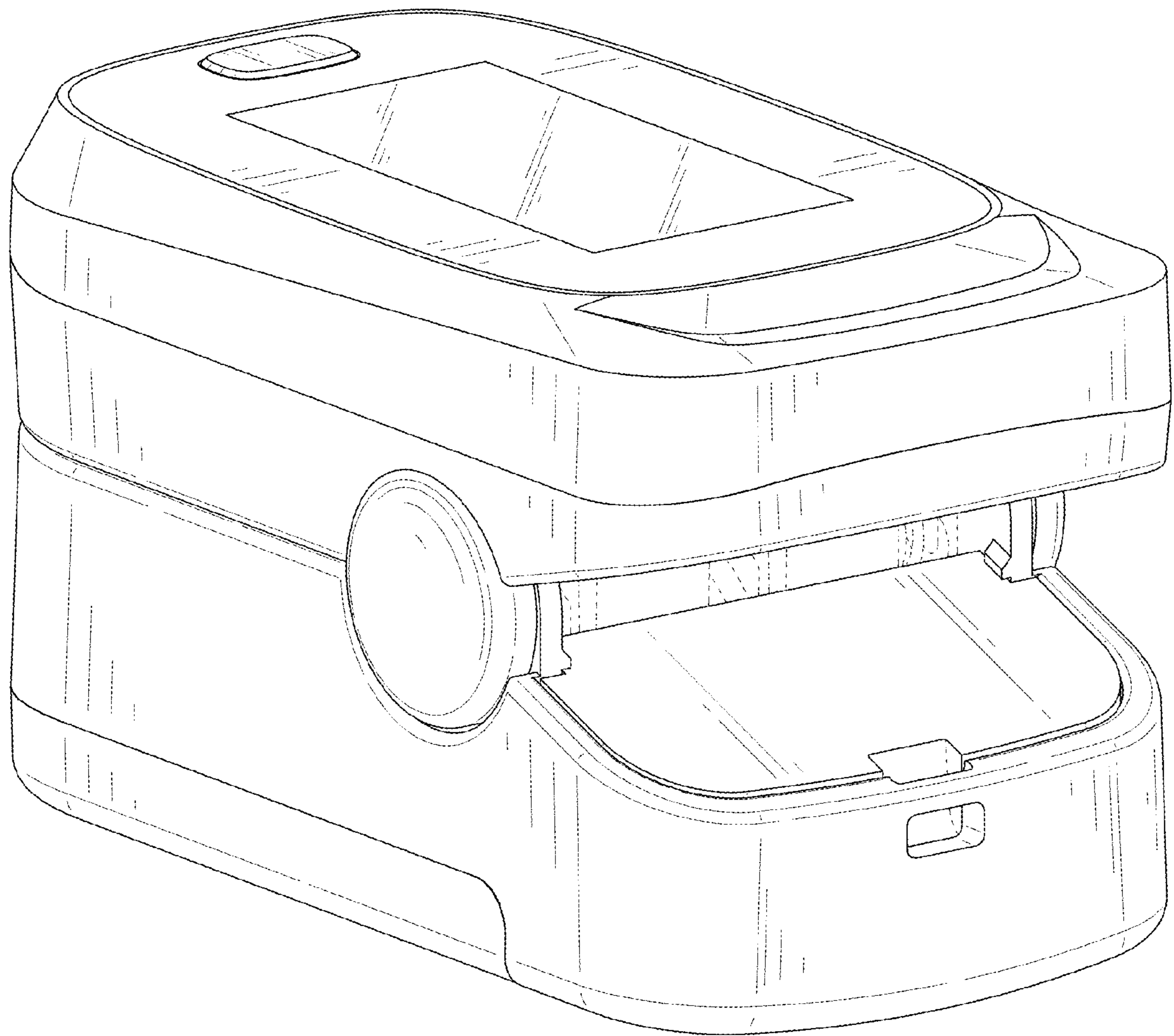


FIG. 1

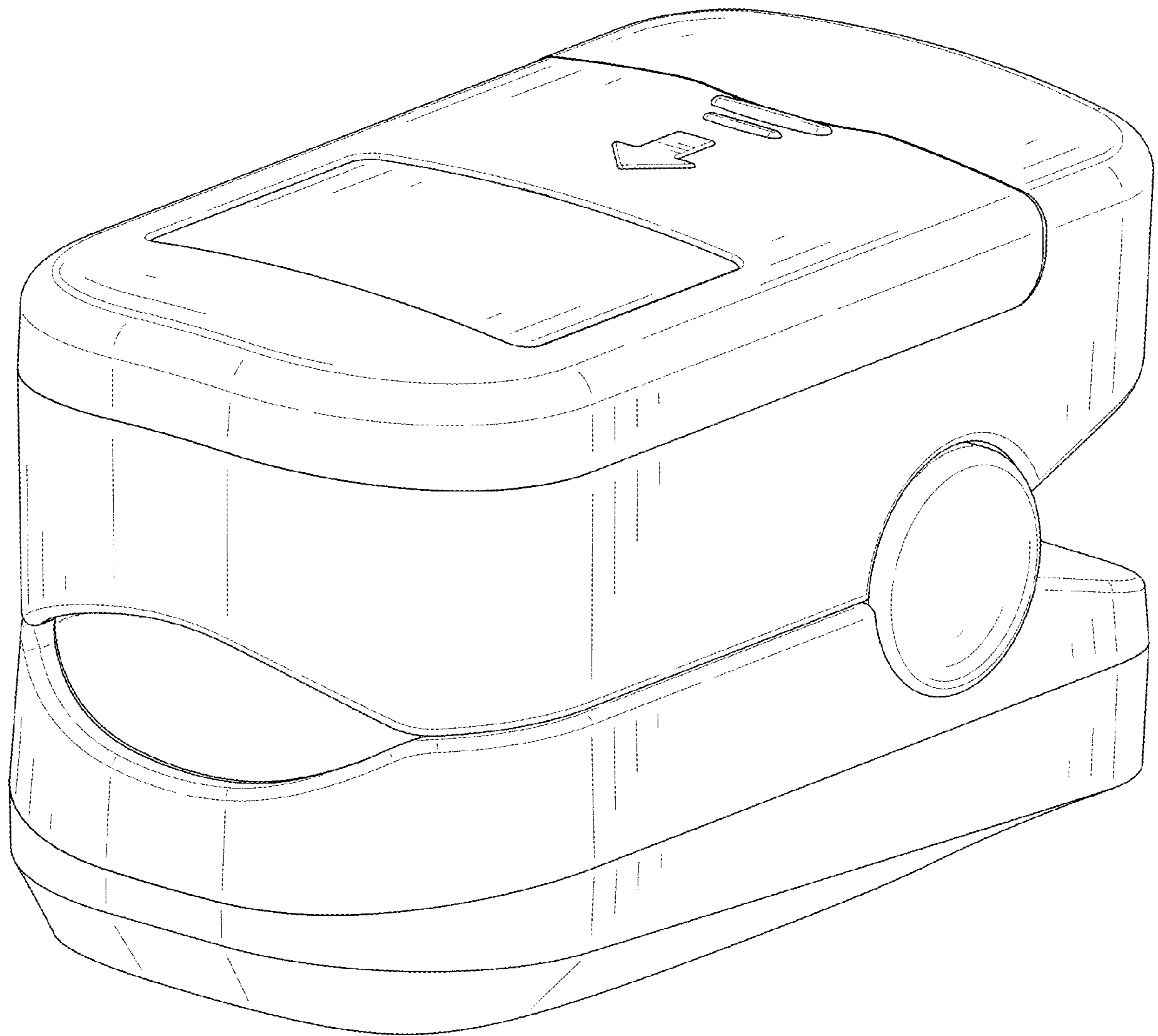


FIG. 2

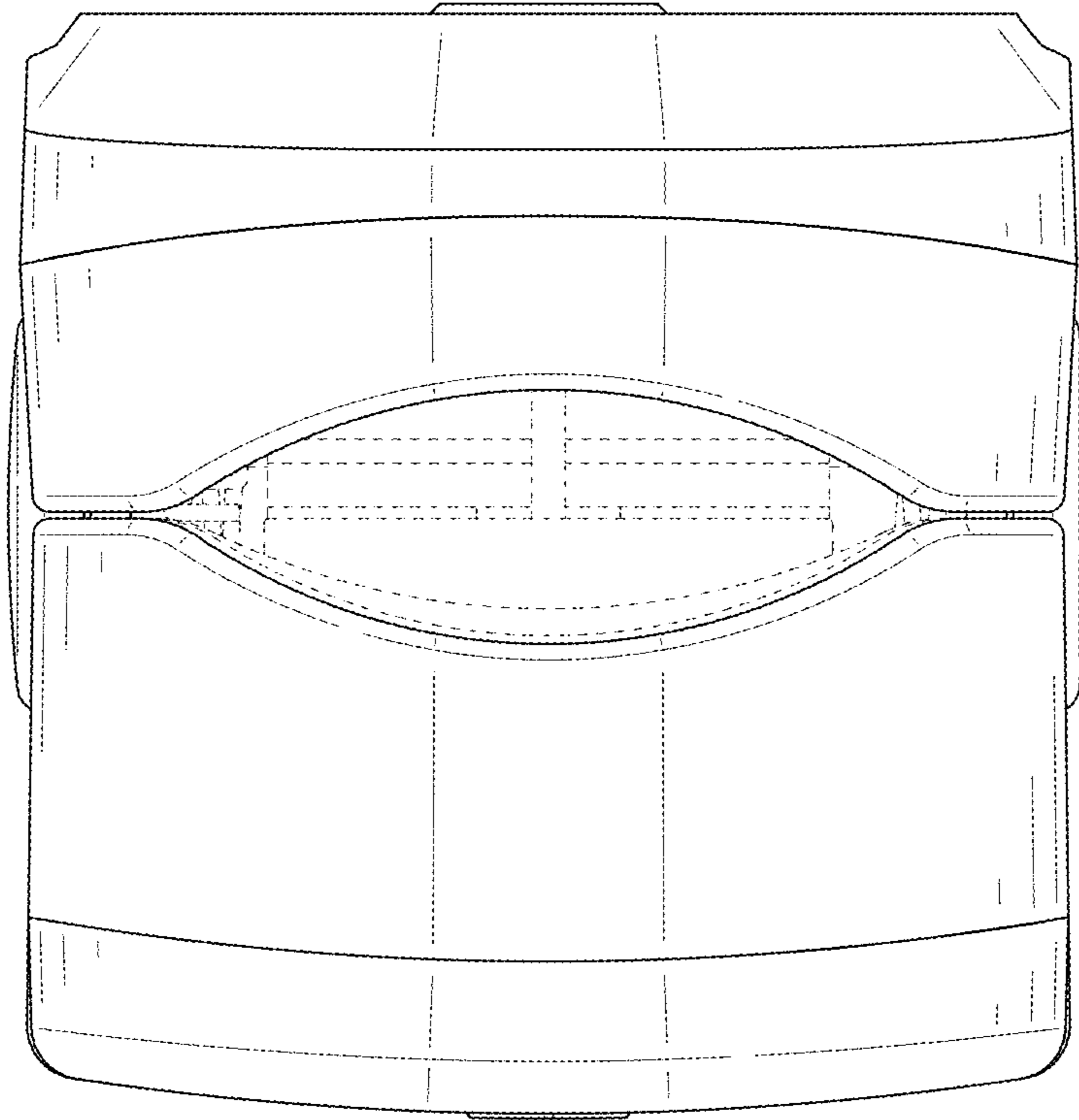


FIG. 3

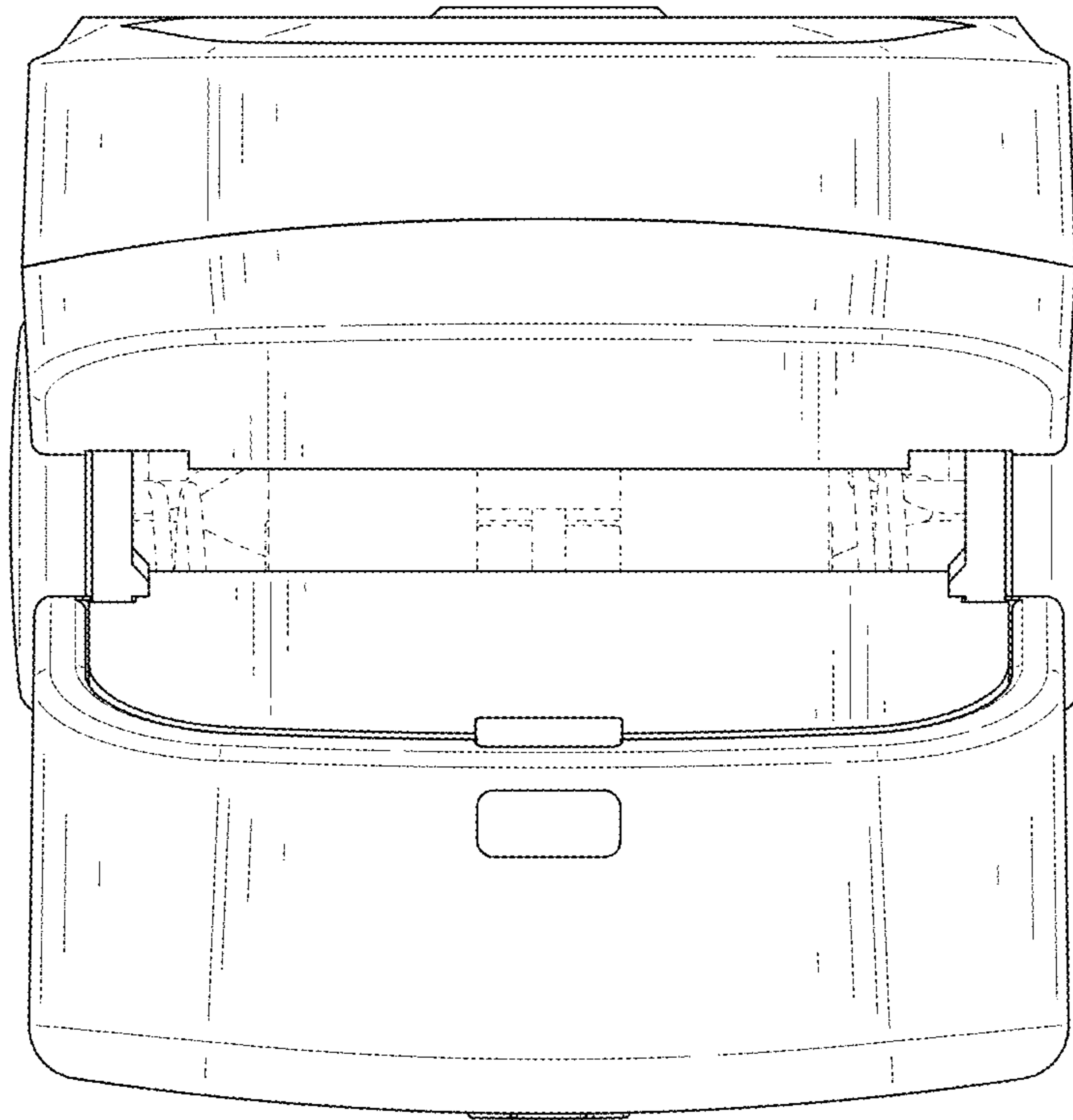


FIG. 4

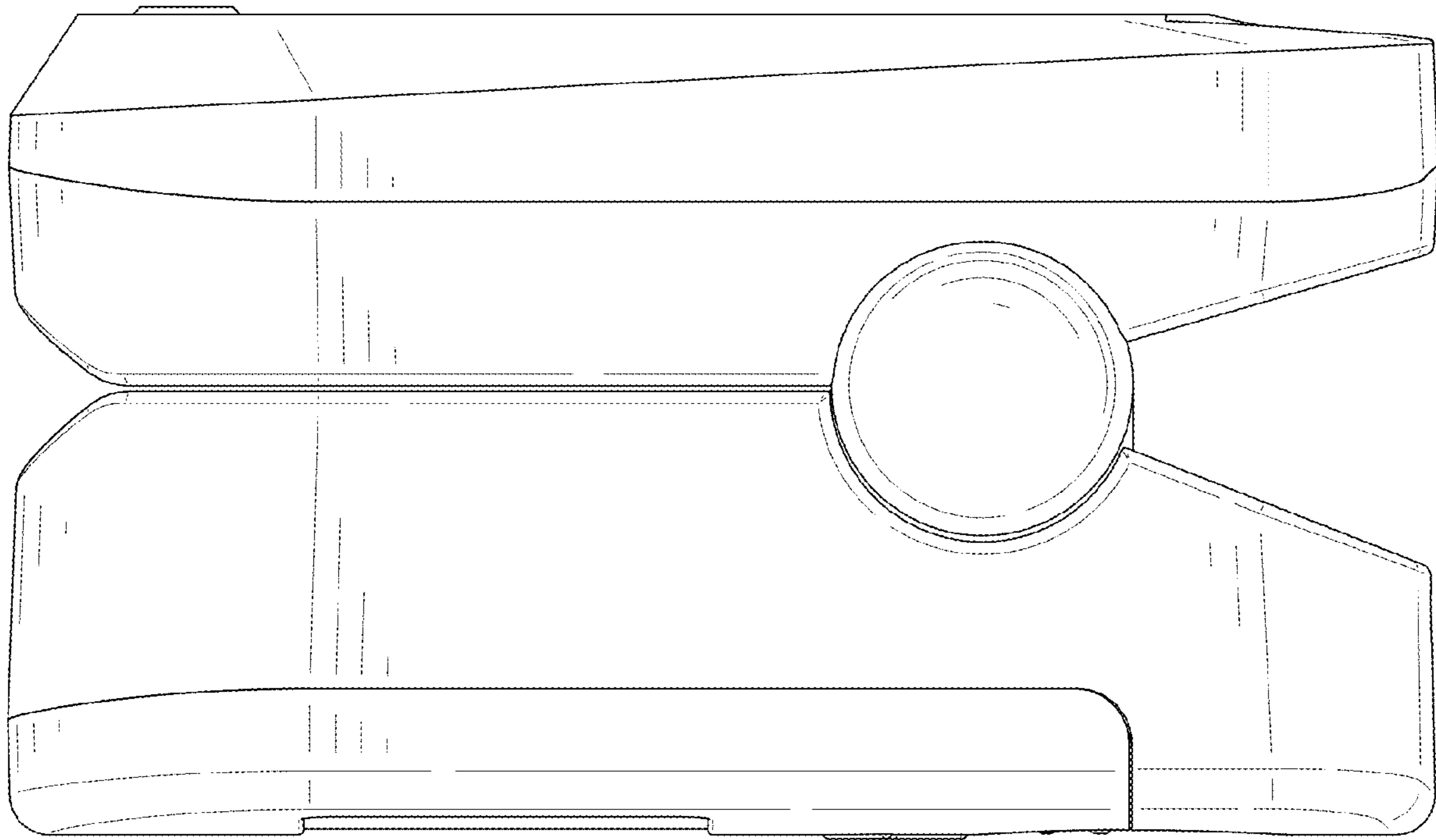


FIG. 5

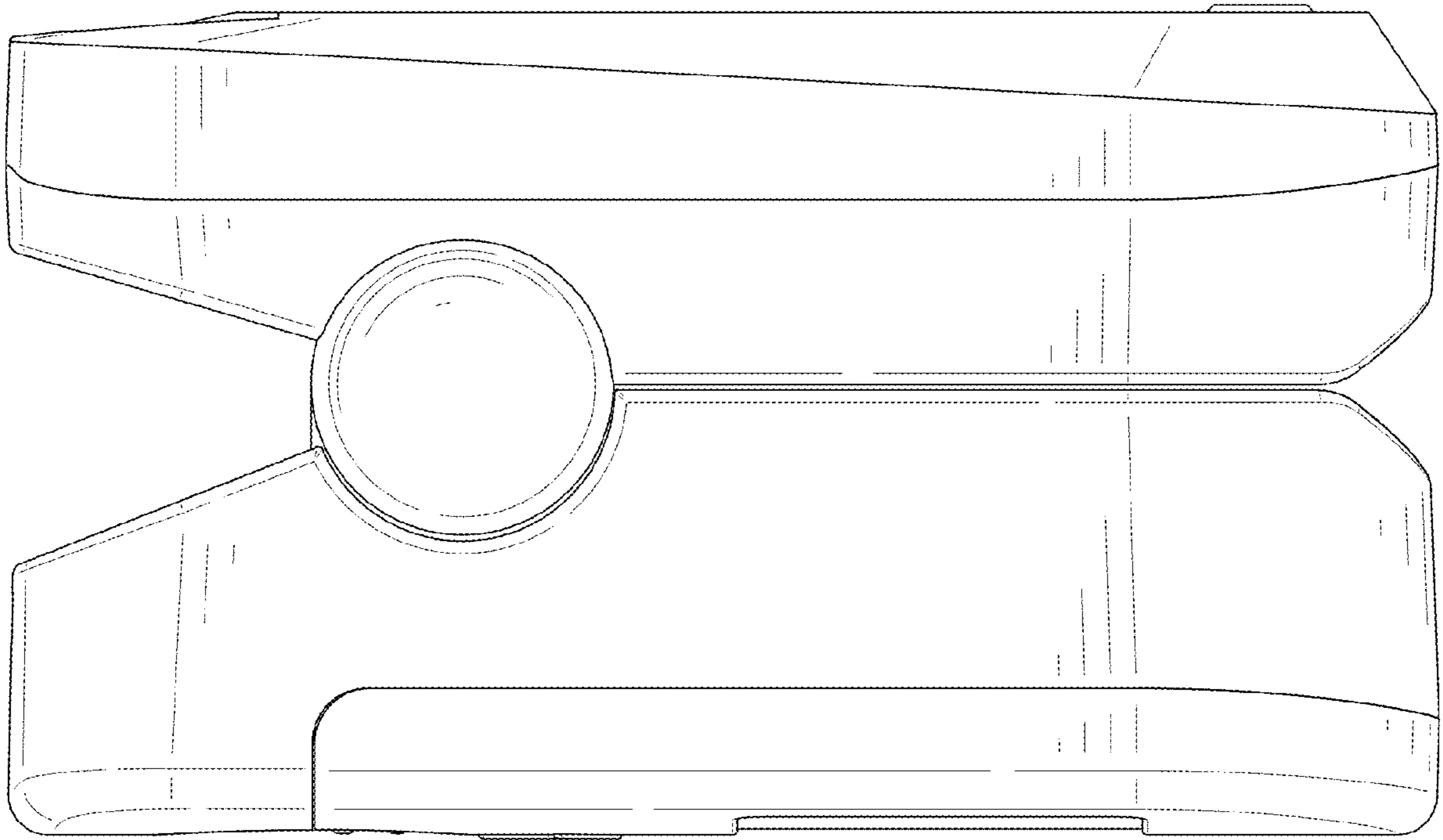


FIG. 6

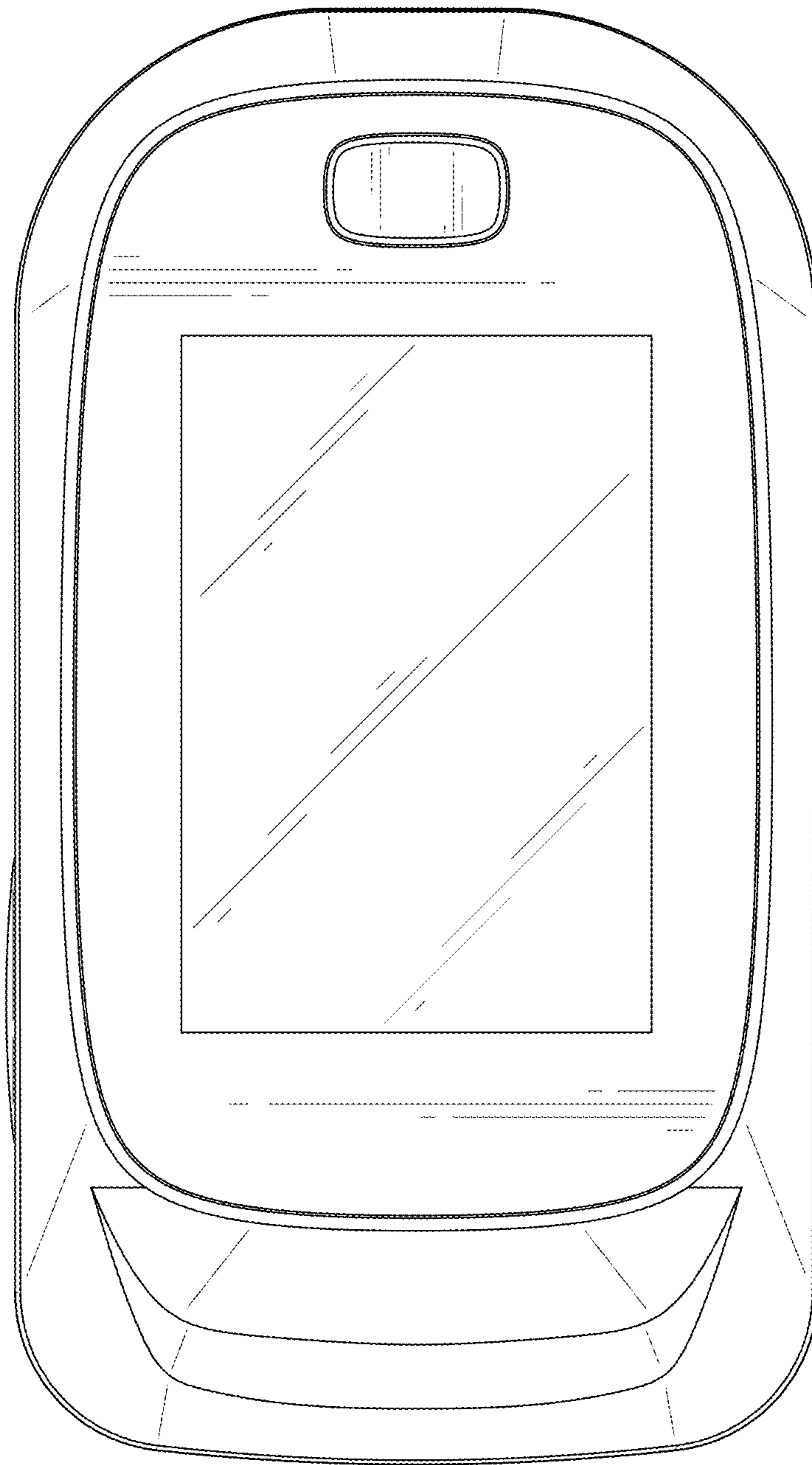


FIG. 7

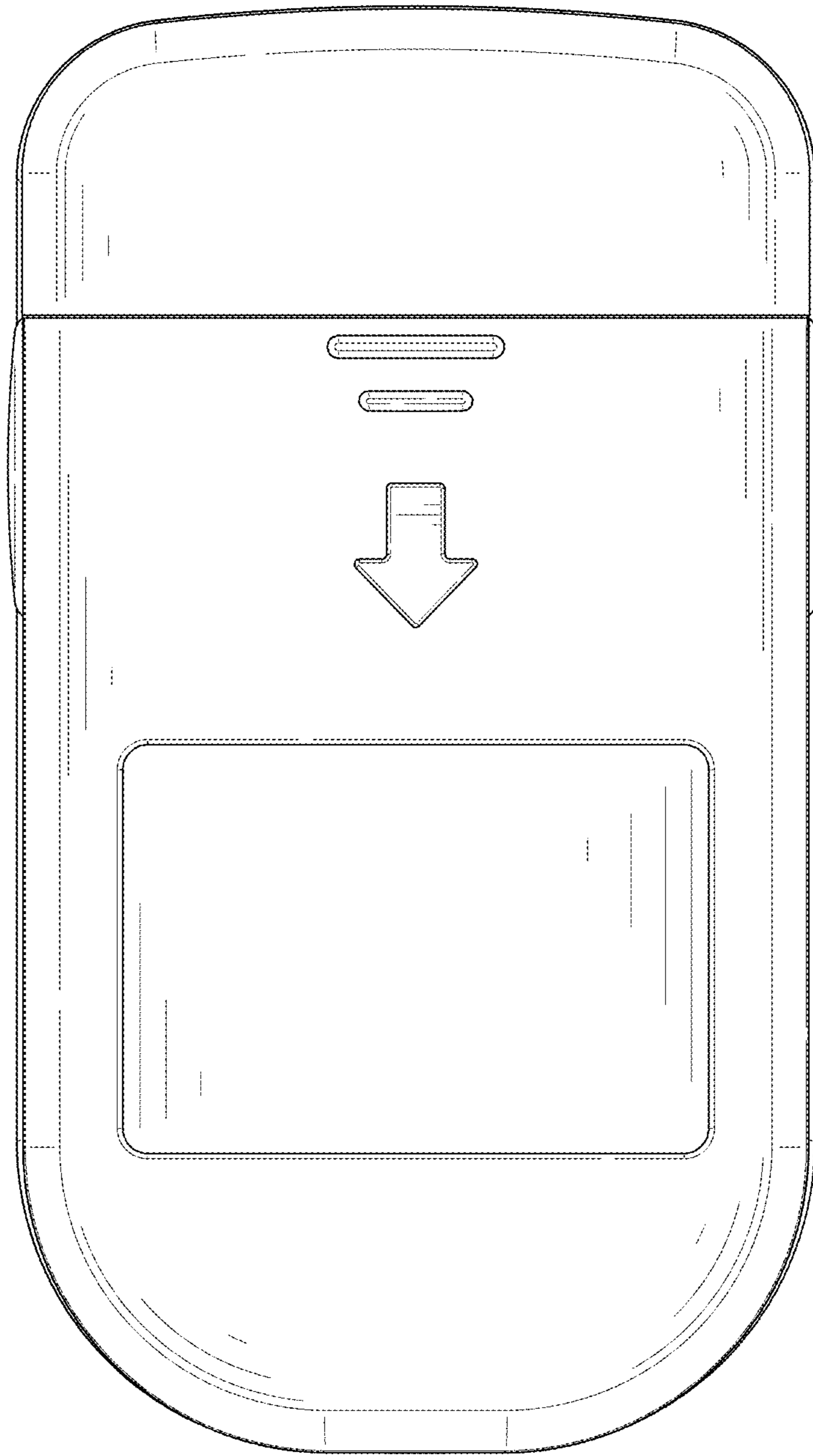


FIG. 8