



US00D903867S

(12) **United States Design Patent**
Van Wyk

(10) **Patent No.:** **US D903,867 S**
(45) **Date of Patent:** **** Dec. 1, 2020**

(54) **CUTTING AND COAGULATING SURGICAL
JAWS**

D788,920 S * 6/2017 Lautemann D24/143
D831,825 S * 10/2018 Coulson D24/144
D863,553 S * 10/2019 Coulson D24/144

(71) Applicant: **Robert A. Van Wyk**, St. Pete Beach,
FL (US)

* cited by examiner

(72) Inventor: **Robert A. Van Wyk**, St. Pete Beach,
FL (US)

Primary Examiner — Samantha Q Lawrence

(74) *Attorney, Agent, or Firm* — Chalin A. Smith; Smith
Patent, LLC

(**) Term: **15 Years**

(57) **CLAIM**

(21) Appl. No.: **29/709,810**

I claim the ornamental design for a cutting and coagulating
surgical jaws, as shown and described.

(22) Filed: **Oct. 17, 2019**

(51) **LOC (12) Cl.** **24-02**

(52) **U.S. Cl.**
USPC **D24/146**

(58) **Field of Classification Search**
USPC D24/133, 138, 143, 144, 145, 146, 147,
D24/148, 149, 153; 606/49–52, 101, 107,
606/142, 143, 205, 206, 207
CPC A61B 17/29; A61B 2017/2936; A61B
17/2909; A61B 17/30; A61B 2017/2944;
A61B 17/0644; A61B 17/068; A61B
17/08; A61B 17/083; A61B 17/10; A61B
18/1445; A61B 2017/2933; A61B
17/2937

See application file for complete search history.

DESCRIPTION

FIG. 1 is a top perspective view of a cutting and coagulating
surgical jaw showing our new design shown in a closed
configuration;
FIG. 2 is a bottom perspective view thereof shown in a
closed configuration;
FIG. 3 is another top perspective view thereof shown in an
open configuration;
FIG. 4 is another bottom perspective view thereof shown in
an open configuration;
FIG. 5 is a left side elevational view thereof shown in a
closed configuration;
FIG. 6 is a right side elevational view thereof shown in a
closed configuration;
FIG. 7 is another left side elevational view thereof shown in
an open configuration;
FIG. 8 is another right side elevational view thereof shown
in an open configuration;
FIG. 9 is a top down plan view thereof in a closed configura-
tion;
FIG. 10 is a bottom up plan view thereof in a closed
configuration;
FIG. 11 is a front elevational view thereof in a closed
configuration;
FIG. 12 is a rear elevational view thereof;
FIG. 13 is an enlarged top perspective view showing a
portion of the cutting and coagulating surgical tool thereof
shown in a closed configuration;

(Continued)

(56) **References Cited**

U.S. PATENT DOCUMENTS

5,336,232 A * 8/1994 Green A61B 17/29
227/181.1
5,358,506 A * 10/1994 Green A61B 17/29
227/181.1
D424,694 S * 5/2000 Tetzlaff D24/143
D449,886 S * 10/2001 Tetzlaff D24/144
7,105,000 B2 * 9/2006 McBrayer A61B 17/1285
606/143
D630,324 S * 1/2011 Reschke D24/143
D641,873 S * 7/2011 Solingen D24/133
D670,808 S * 11/2012 Moua D24/144
9,050,099 B2 * 6/2015 Miersch A61B 17/29
D748,259 S * 1/2016 Okihisa D24/144

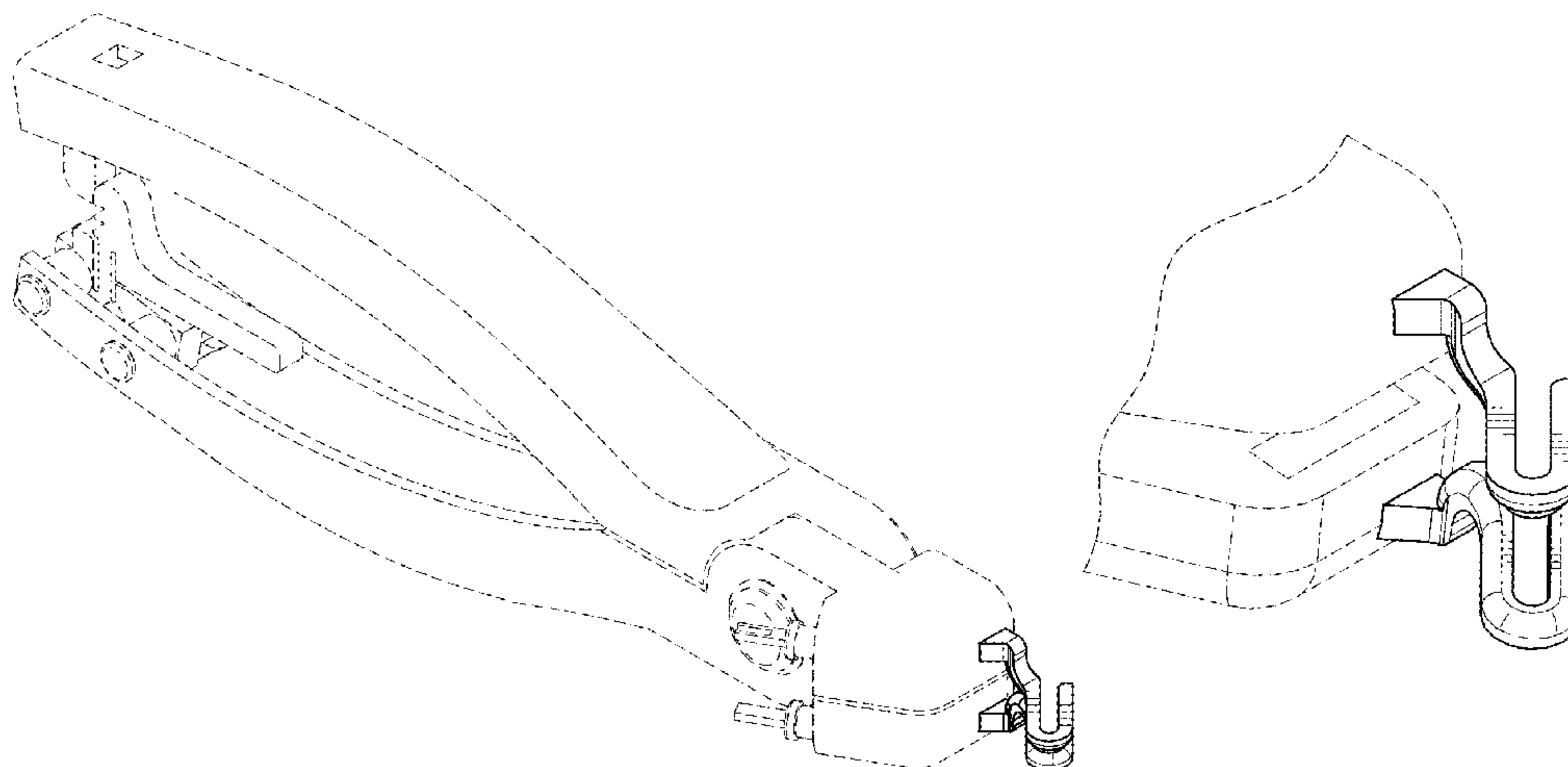


FIG. 14 is an enlarged bottom perspective view showing a portion of the cutting and coagulating surgical tool thereof shown in a closed configuration;

FIG. 15 is an enlarged top perspective view showing a portion of the cutting and coagulating surgical tool thereof shown in an open configuration;

FIG. 16 is an enlarged bottom perspective view showing a portion of the cutting and coagulating surgical tool thereof shown in an open configuration;

FIG. 17 is an enlarged left side elevational view showing a portion of the cutting and coagulating surgical tool thereof shown in a closed configuration;

FIG. 18 is an enlarged right side elevational view showing a portion of the cutting and coagulating surgical tool thereof shown in a closed configuration;

FIG. 19 is an enlarged left side elevational view showing a portion of the cutting and coagulating surgical tool thereof shown in an open configuration;

FIG. 20 is an enlarged right side elevational view showing a portion of the cutting and coagulating surgical tool thereof shown in an open configuration;

FIG. 21 is an enlarged top down plan view showing a portion of the cutting and coagulating surgical tool thereof shown in a closed configuration;

FIG. 22 is a bottom up plan view showing a portion of the cutting and coagulating surgical tool thereof shown in a closed configuration;

FIG. 23 is an enlarged front elevational view showing a portion of the cutting and coagulating surgical tool thereof shown in a closed configuration; and,

FIG. 24 is an enlarged rear elevational view showing a portion of the cutting and coagulating surgical tool thereof shown in a closed configuration.

The broken lines shown in FIGS. 1-24 illustrate portions of the cutting and coagulating surgical jaws that form no part of the claimed design.

1 Claim, 12 Drawing Sheets

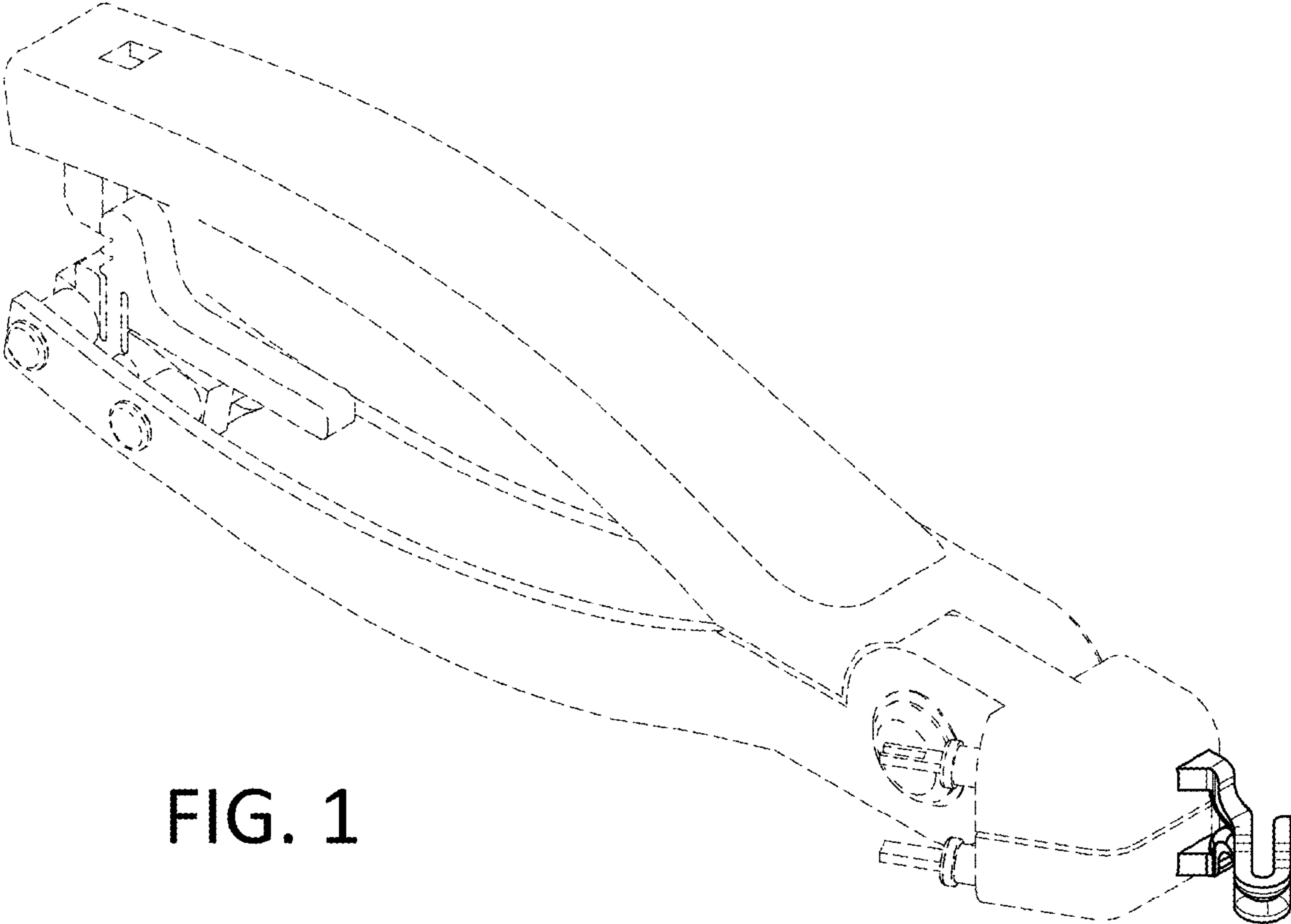


FIG. 1

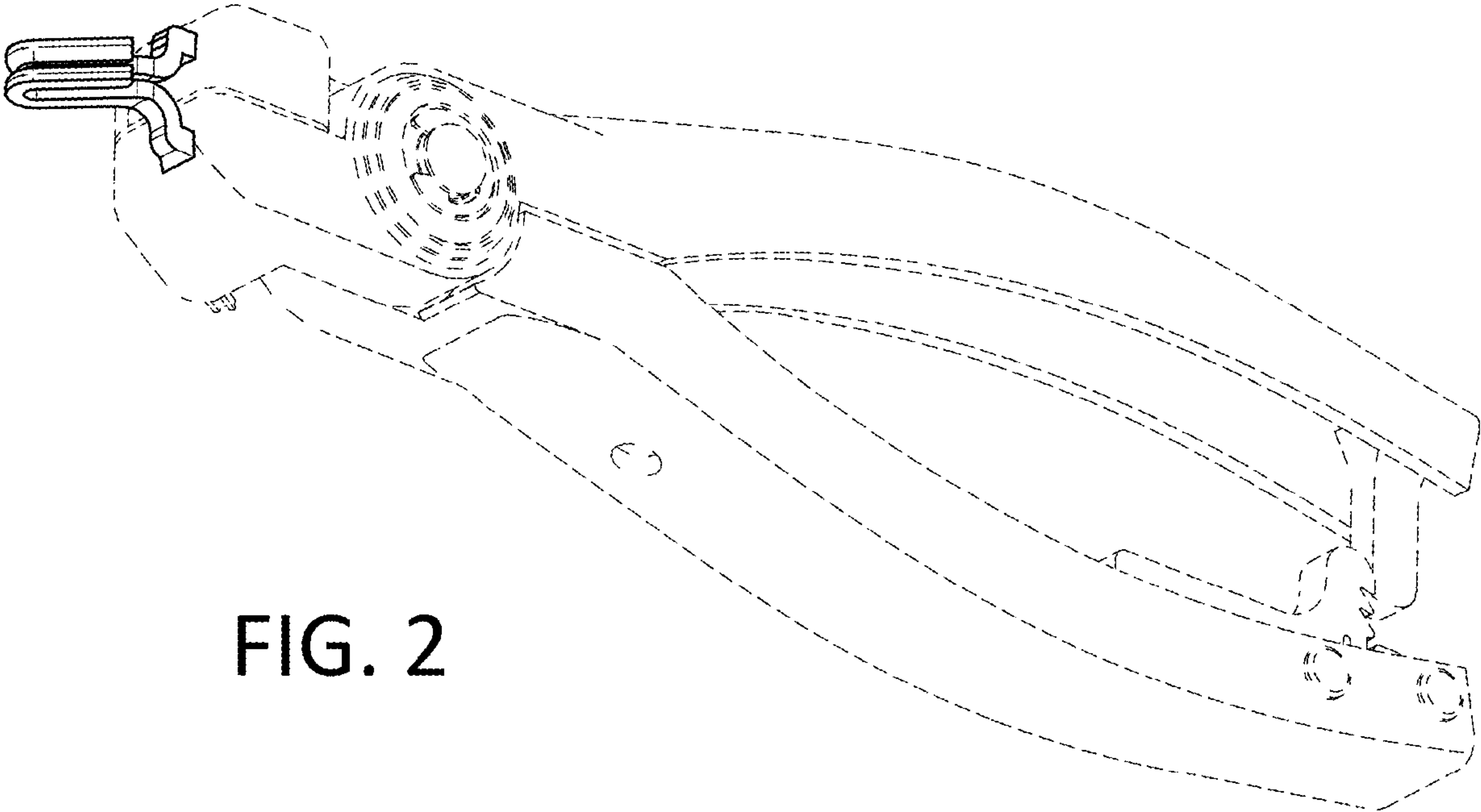


FIG. 2

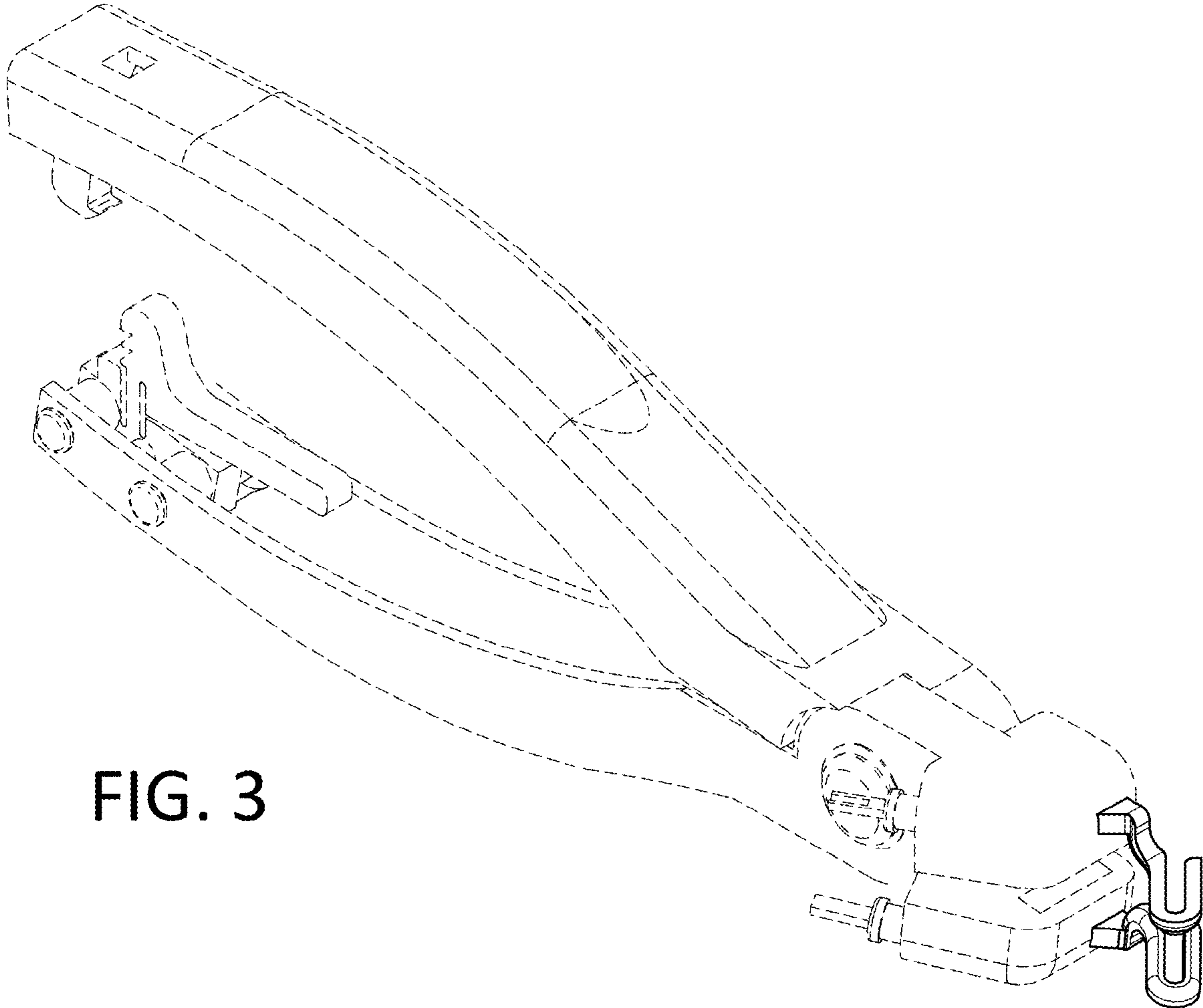


FIG. 3

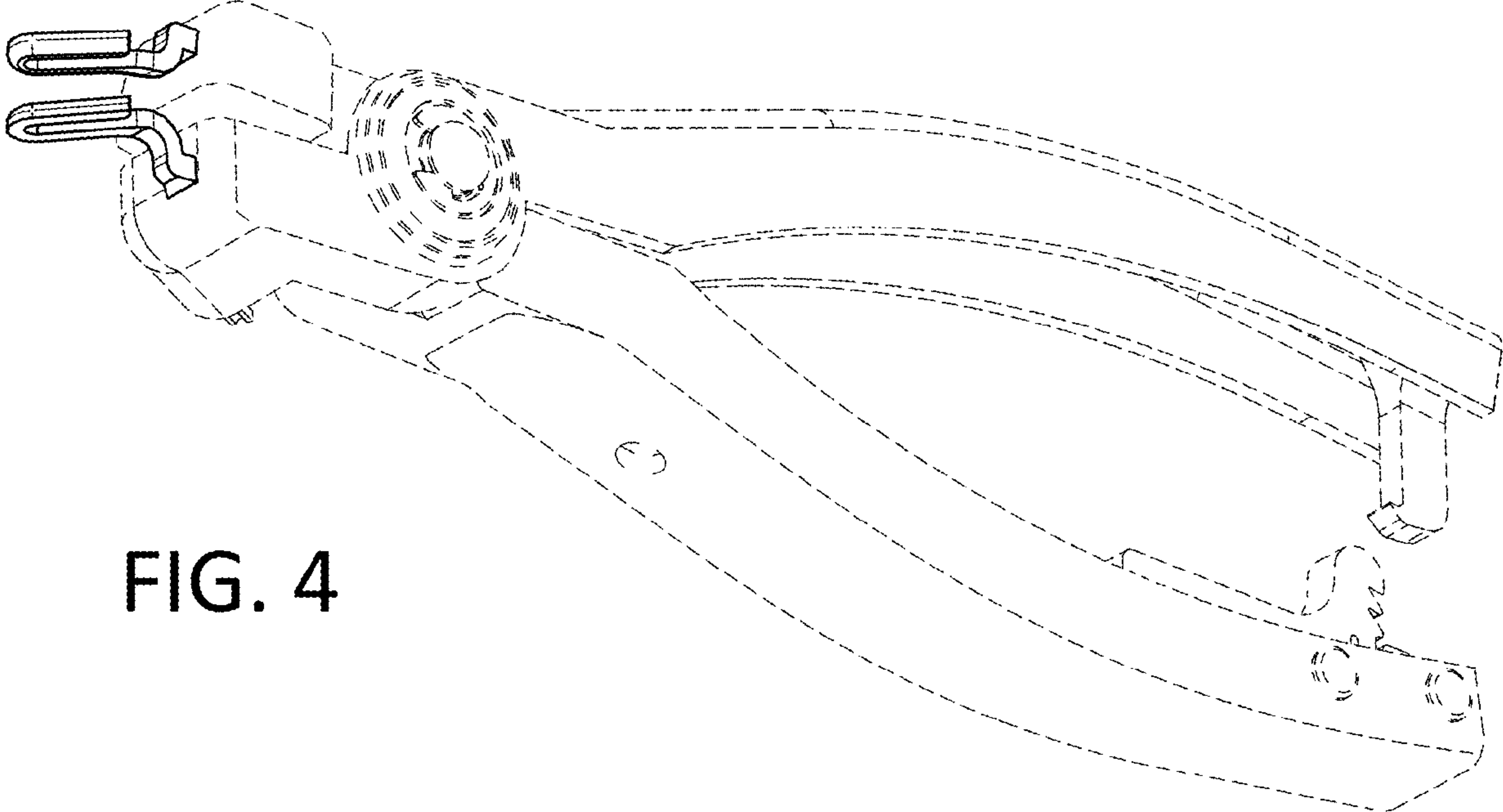


FIG. 4

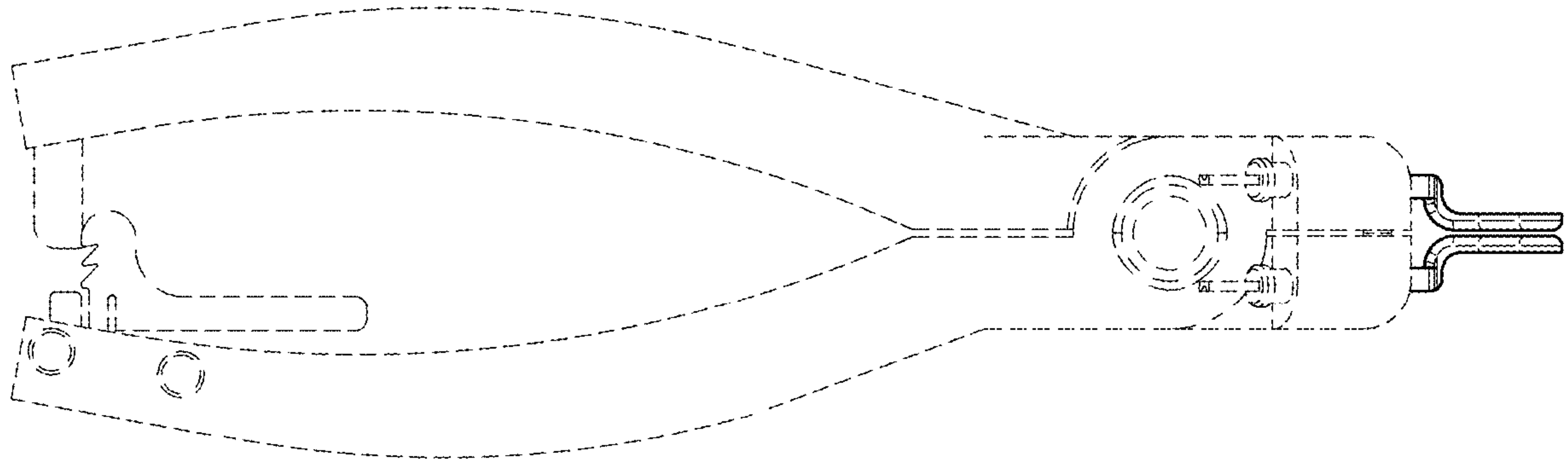


FIG. 5

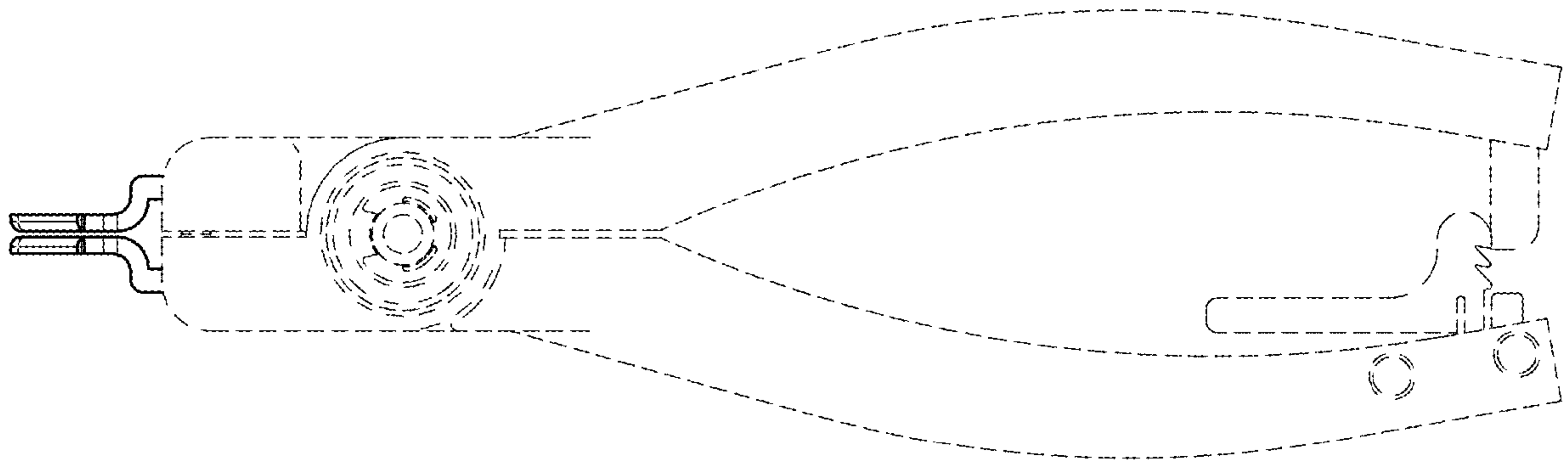


FIG. 6

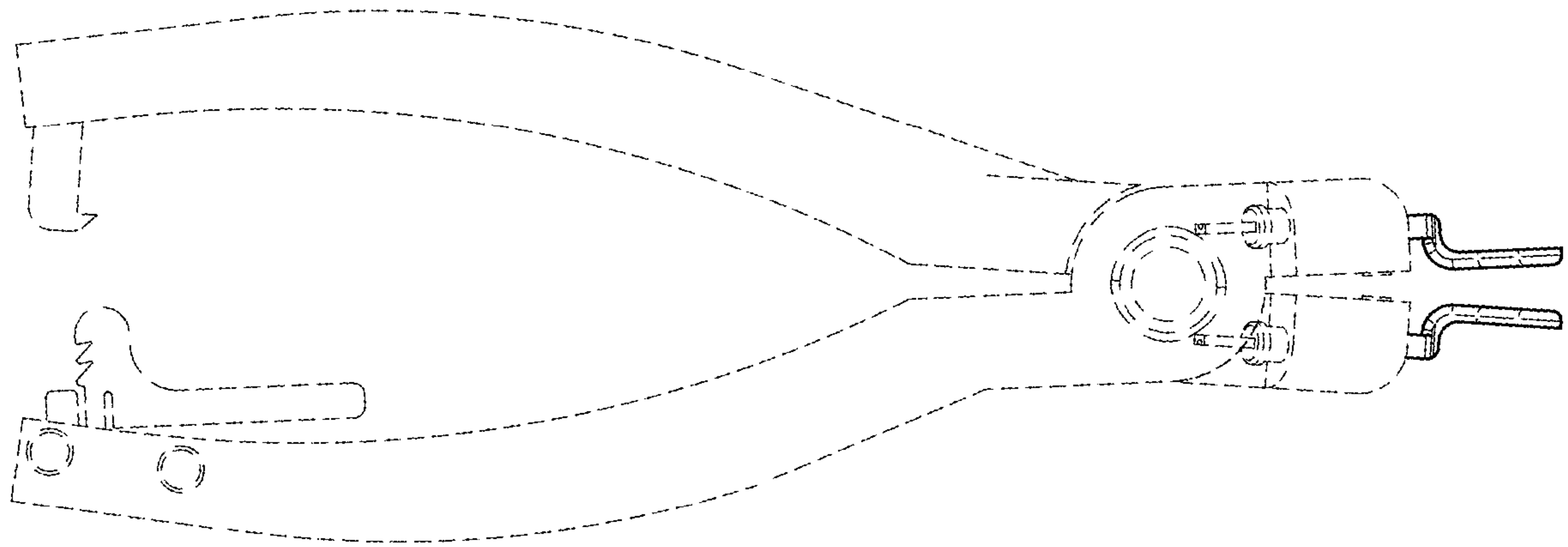


FIG. 7

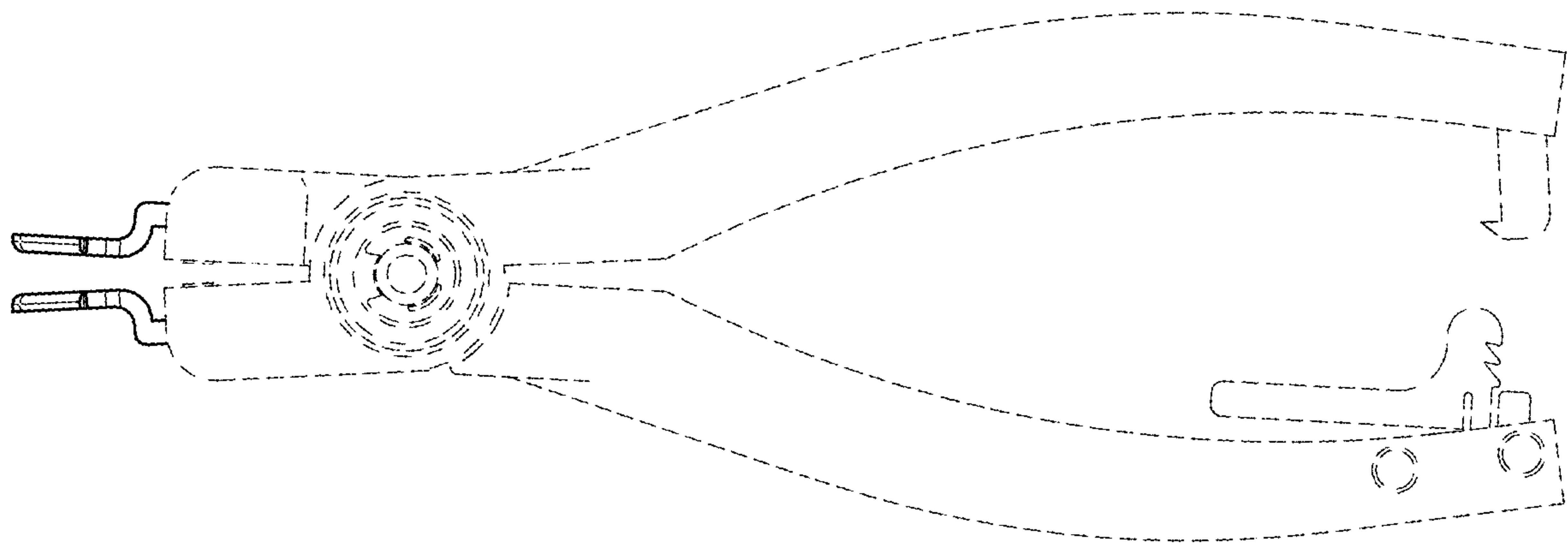


FIG. 8

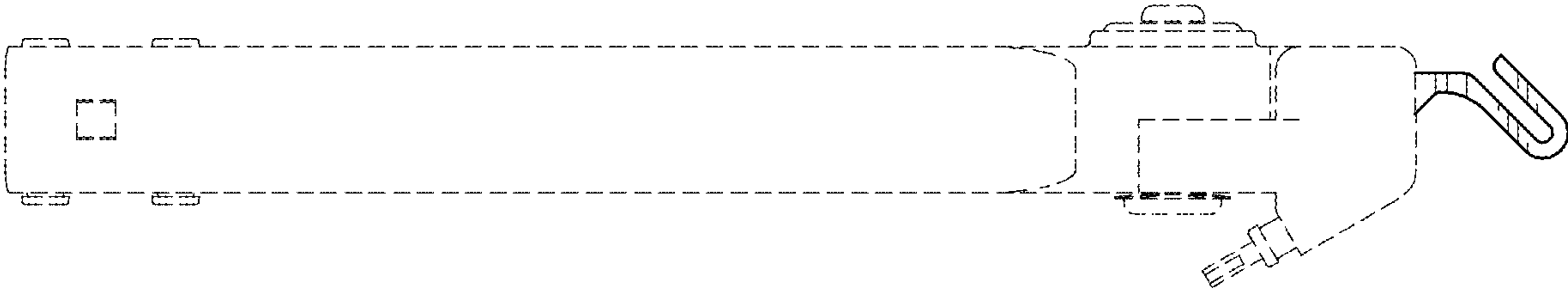


FIG. 9

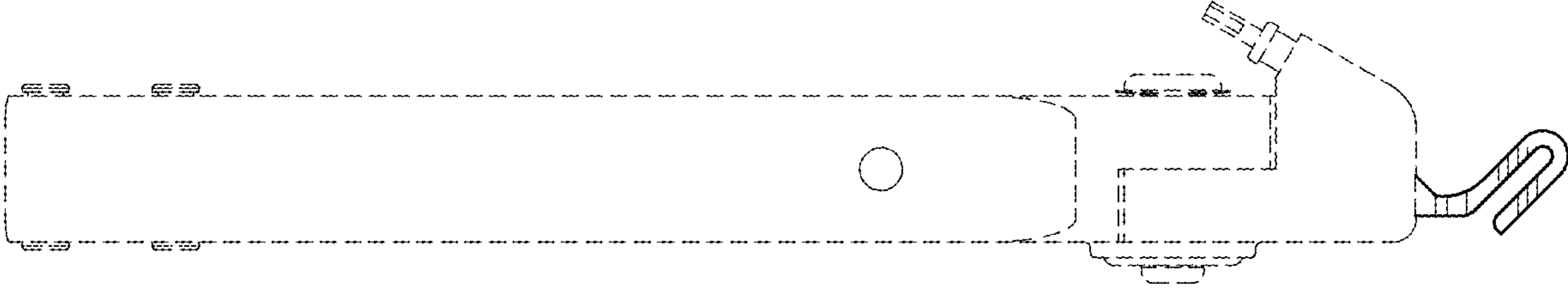


FIG. 10

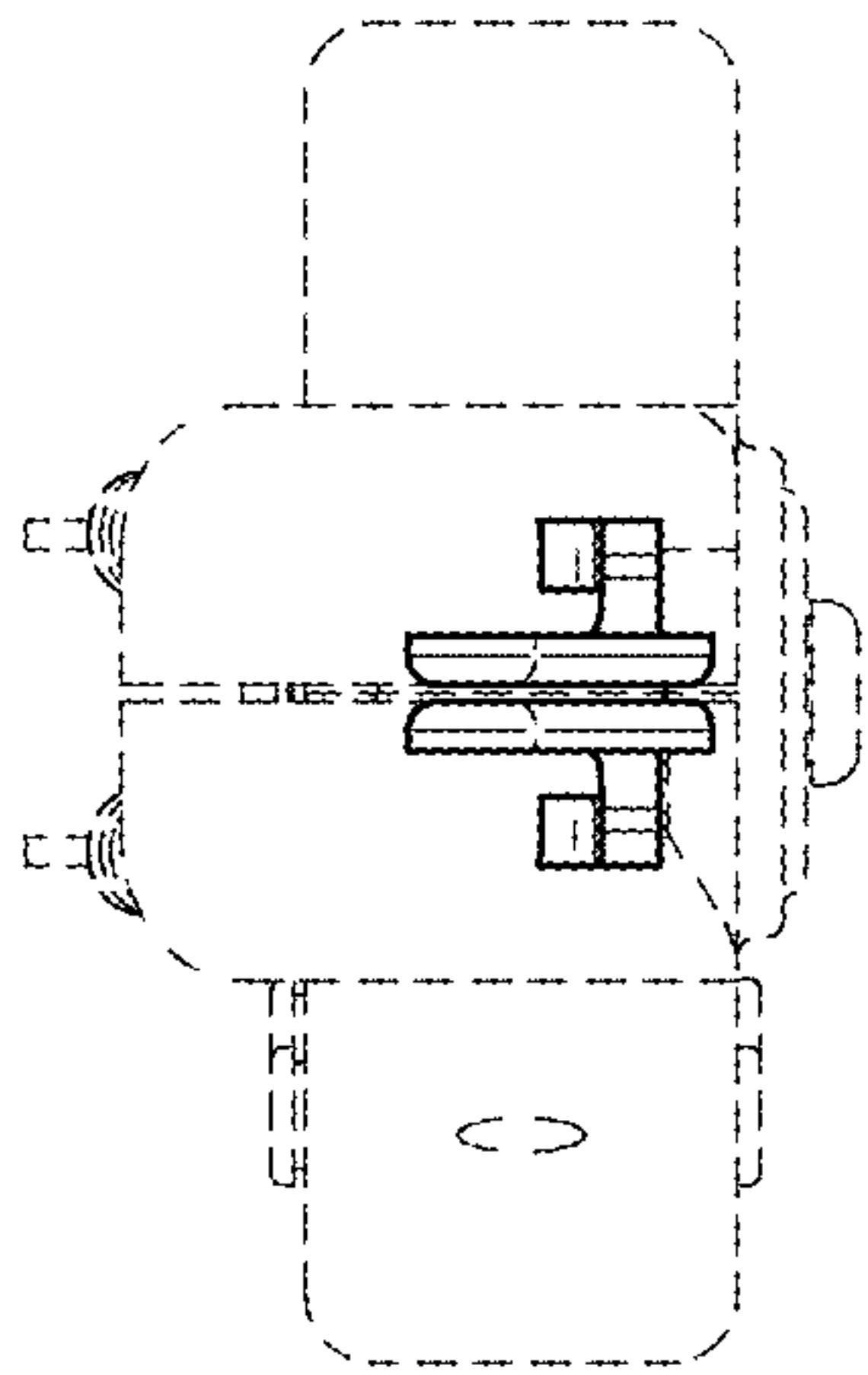


FIG. 11

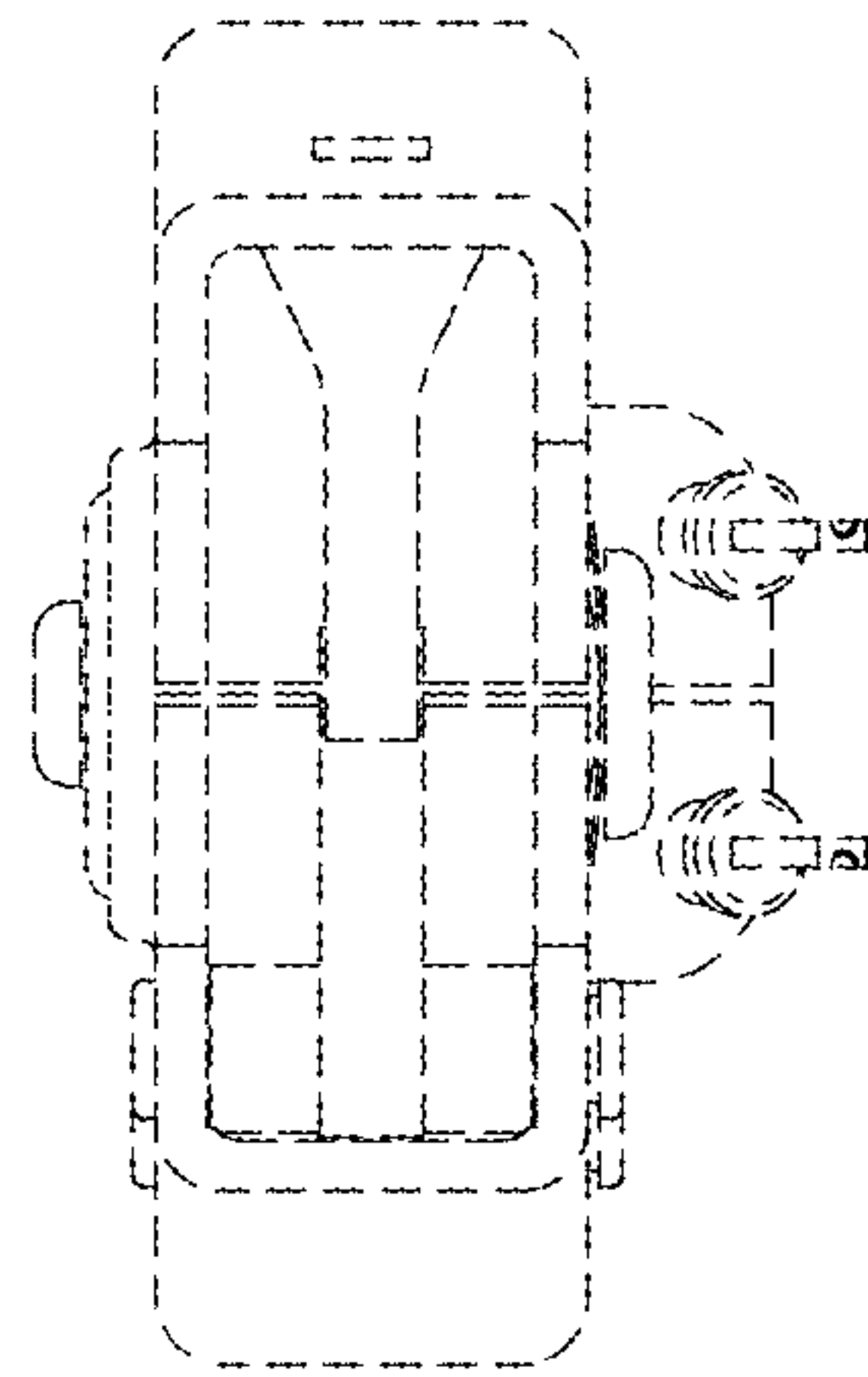


FIG. 12

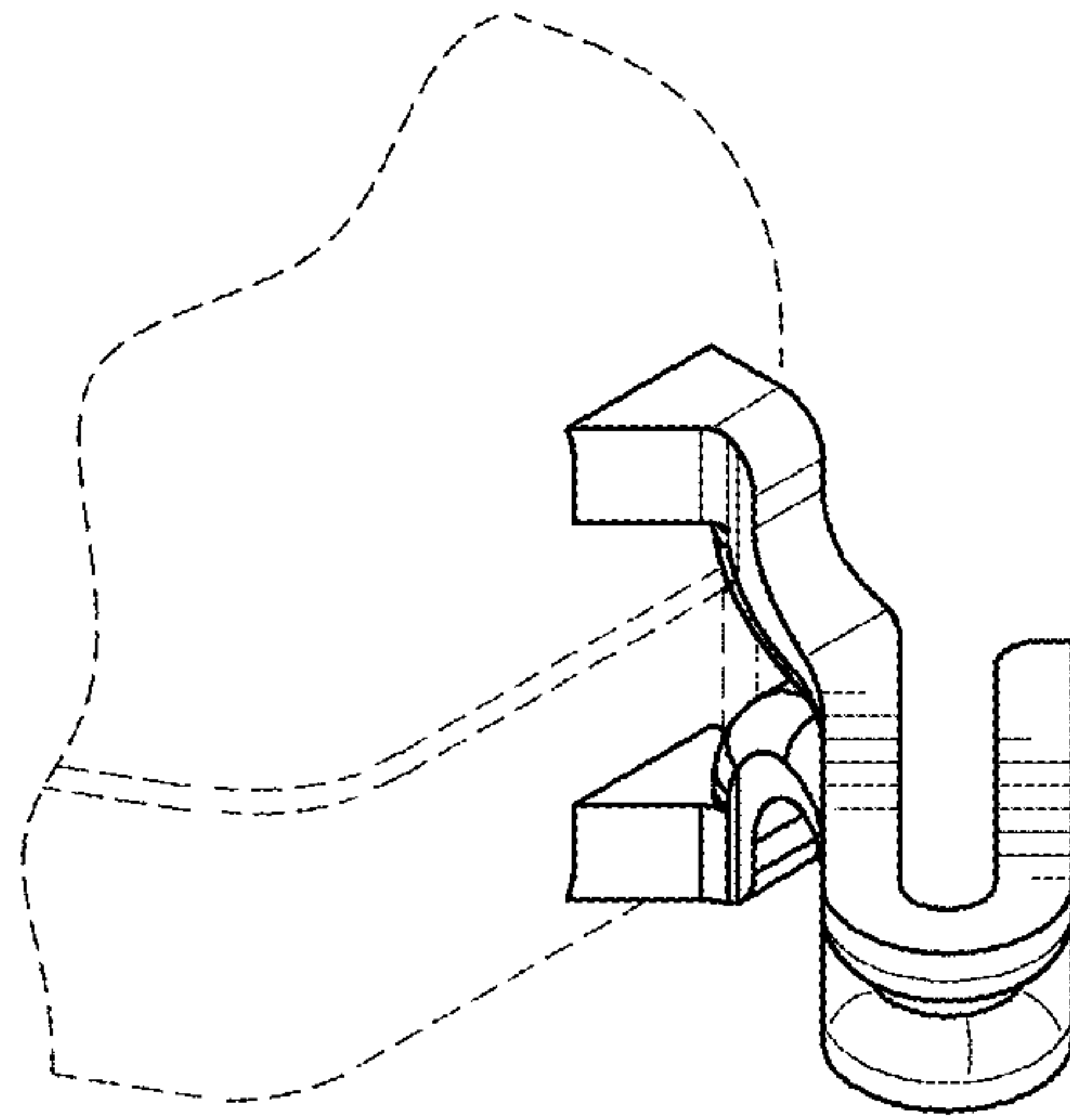


FIG. 13

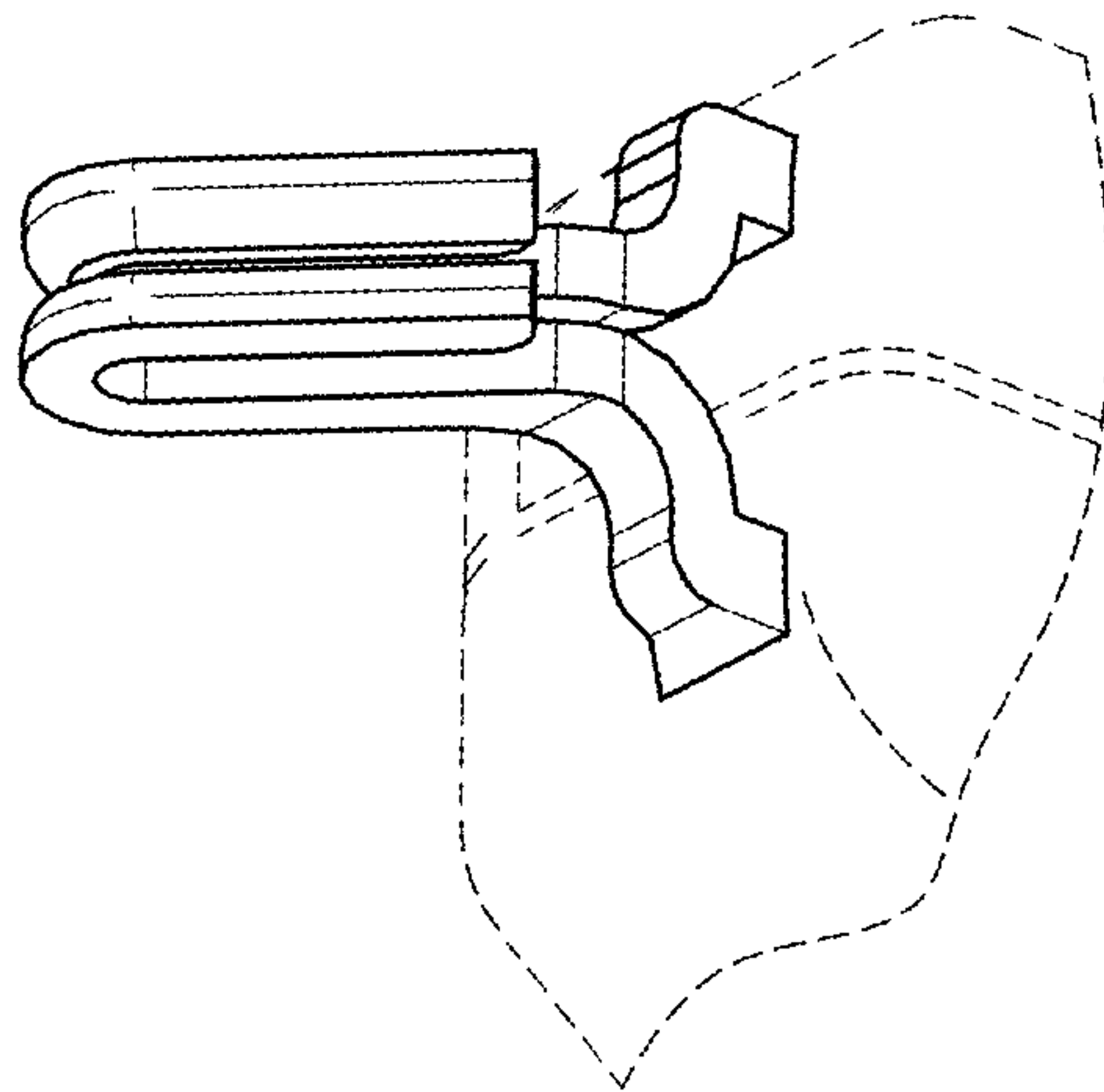


FIG. 14

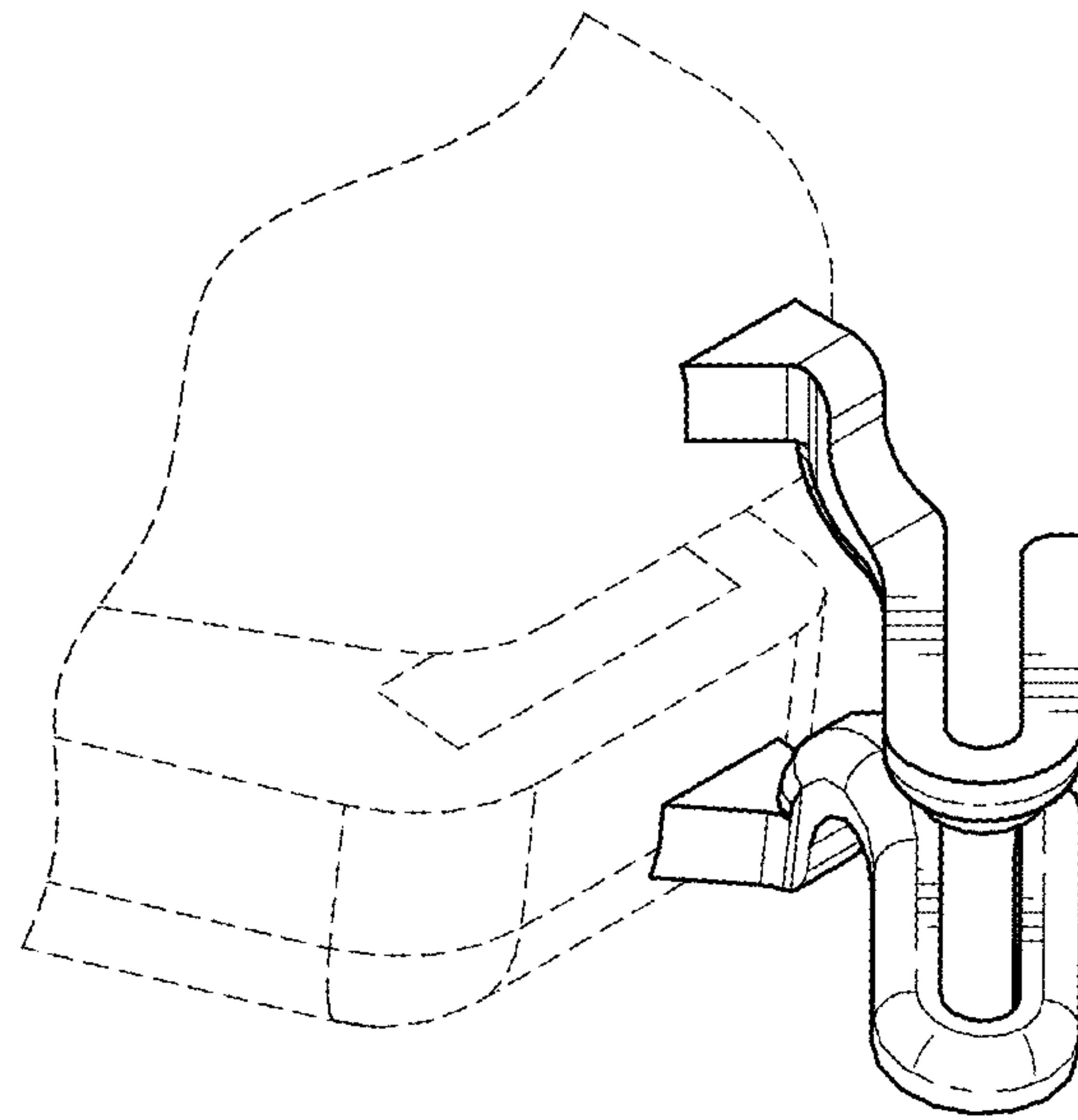


FIG. 15

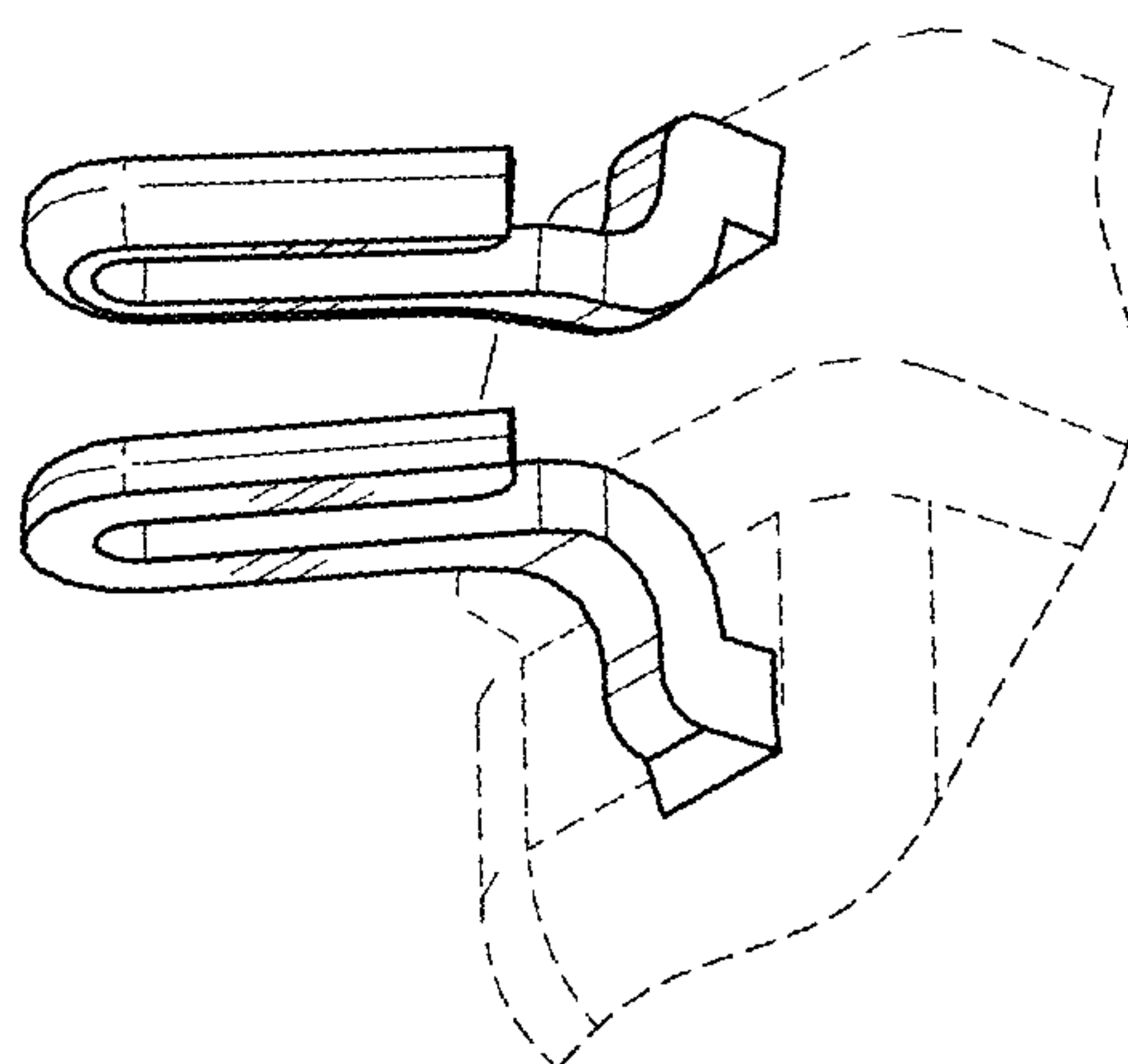


FIG. 16

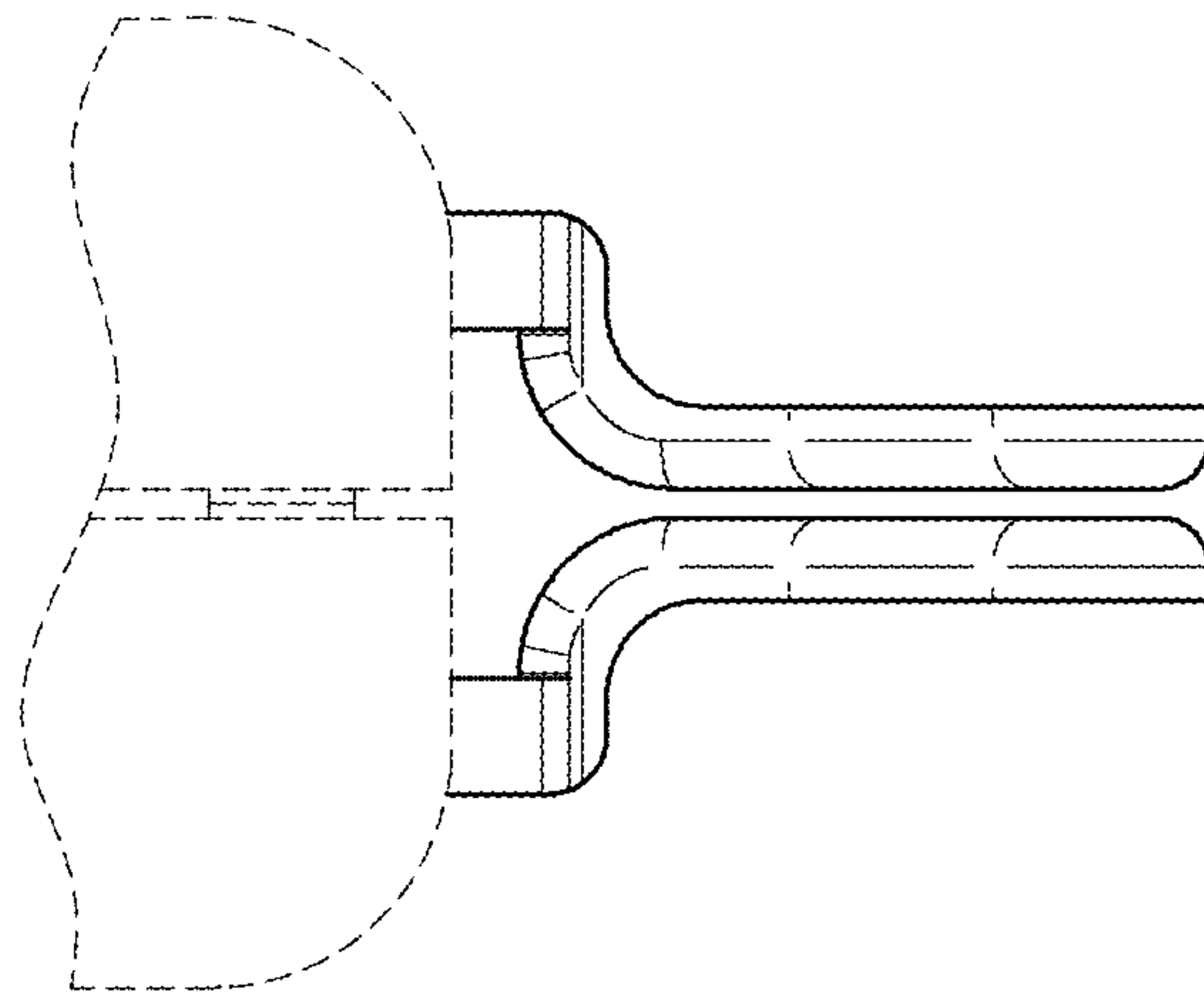


FIG. 17

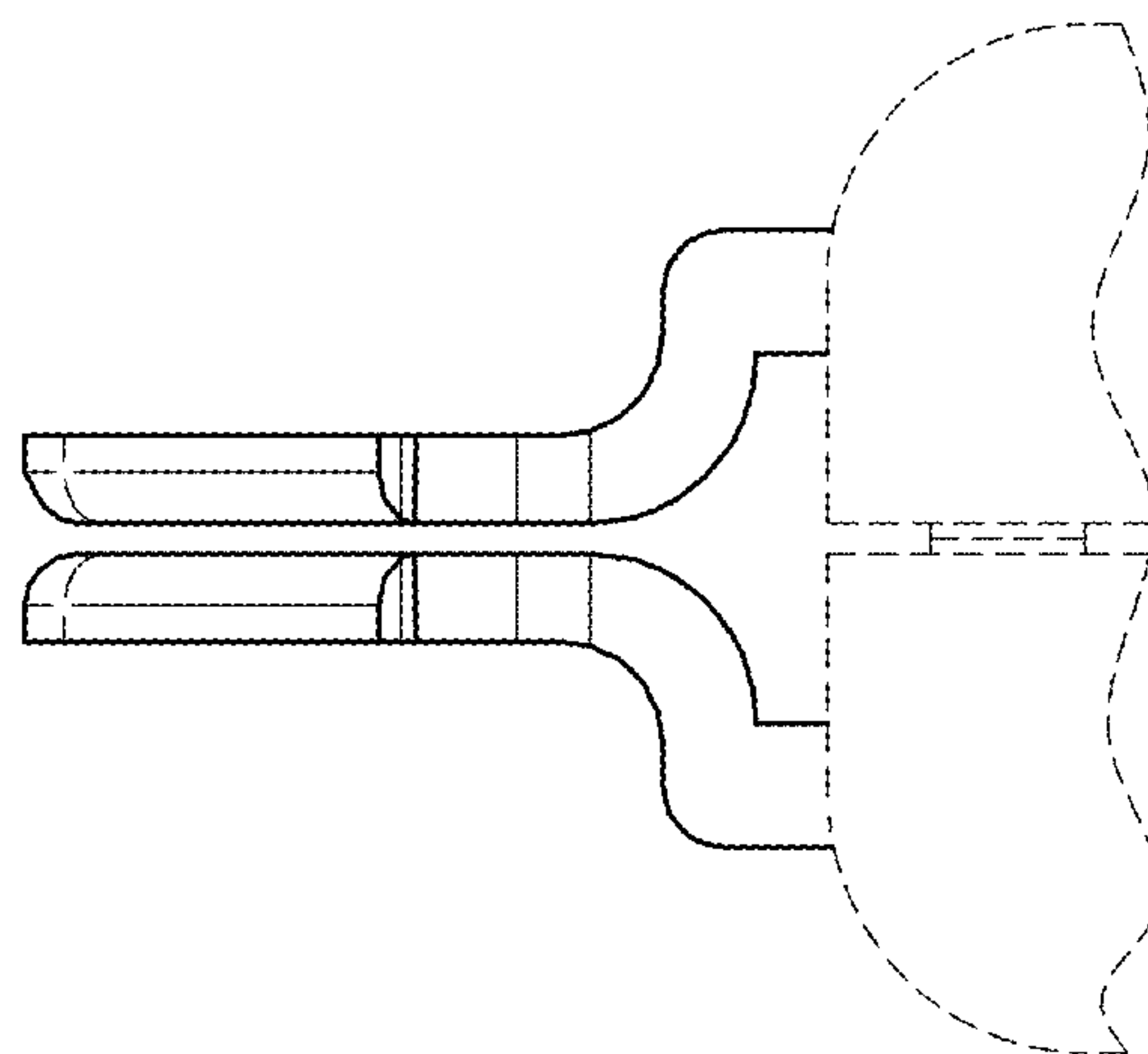


FIG. 18

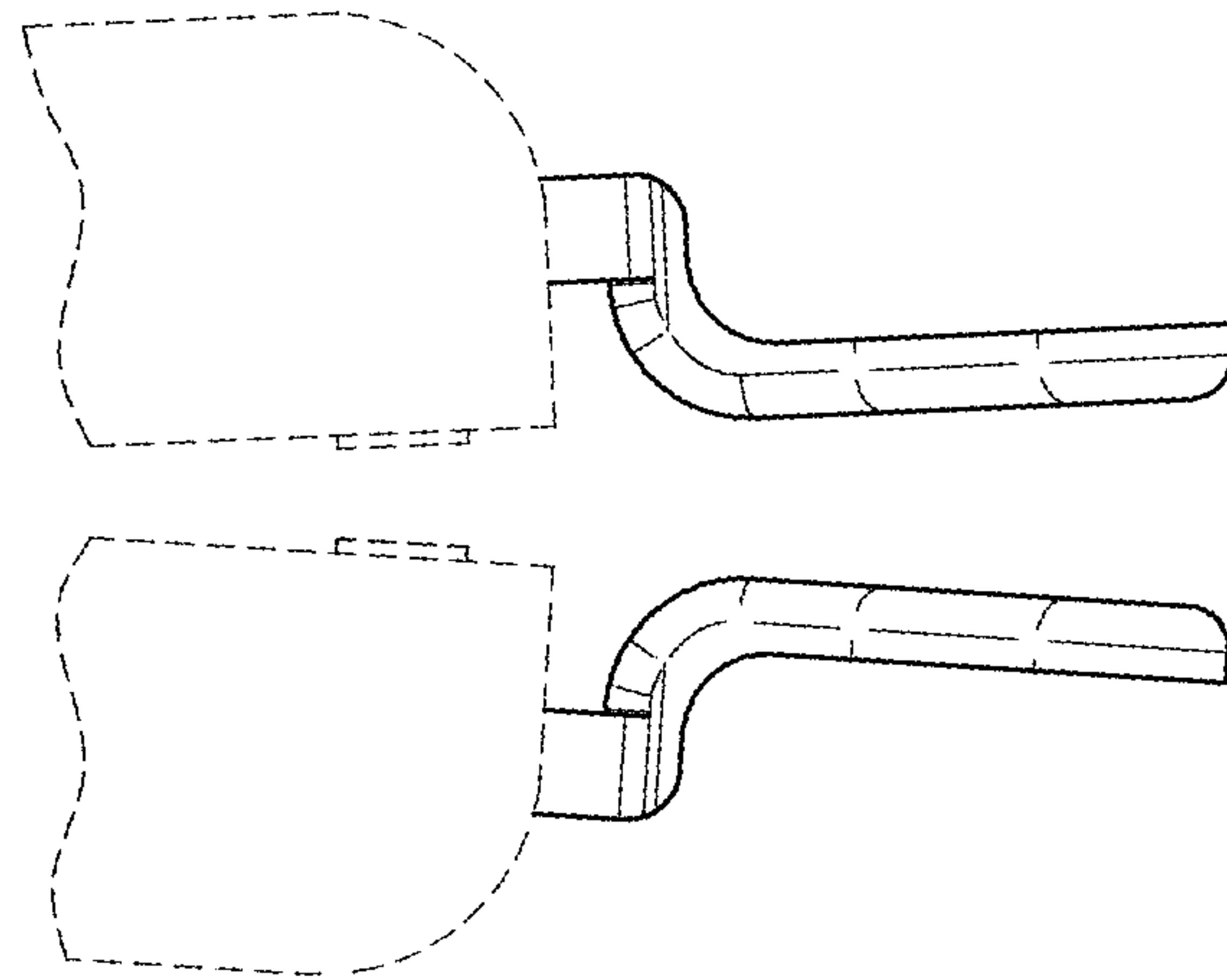


FIG. 19

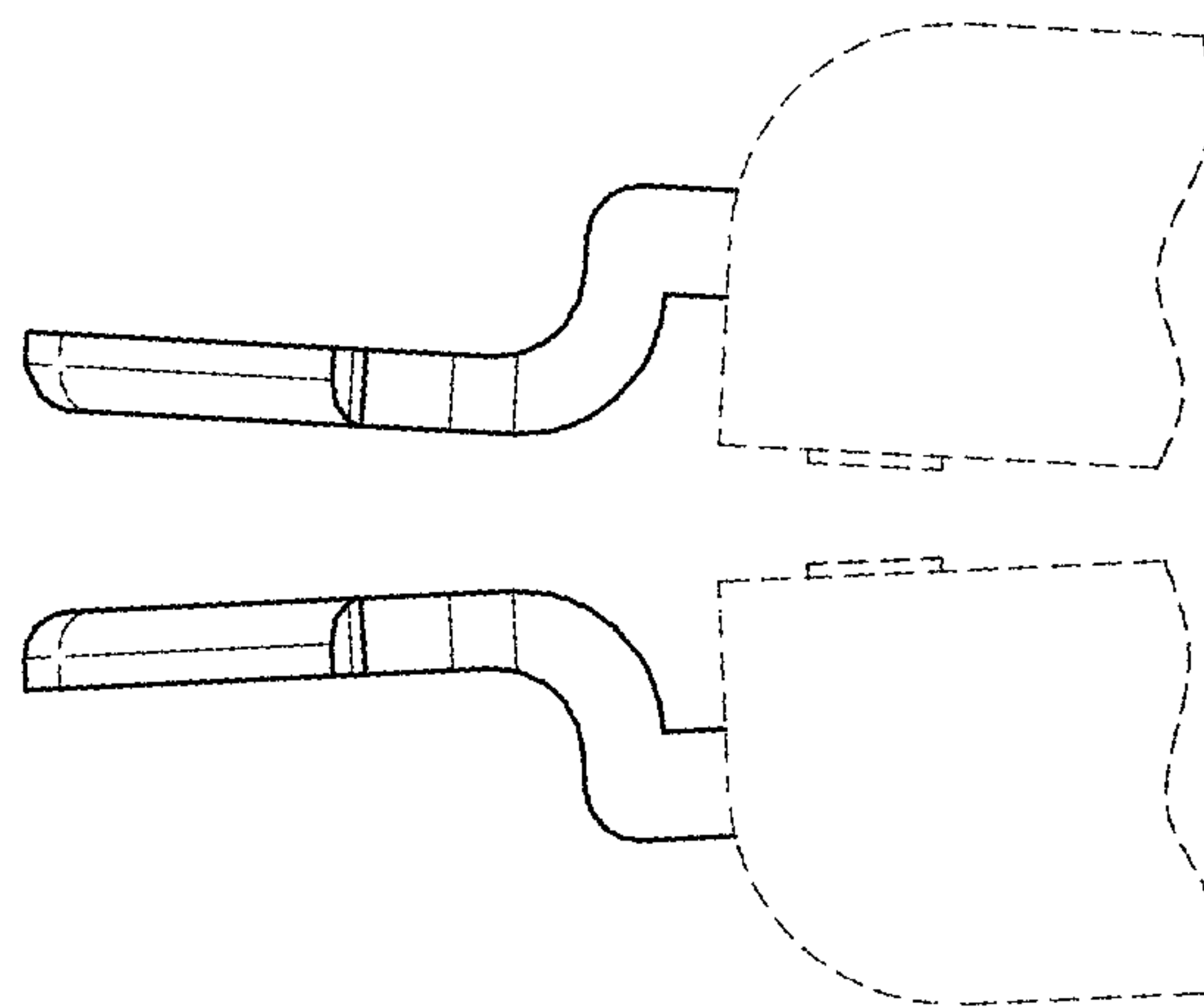


FIG. 20

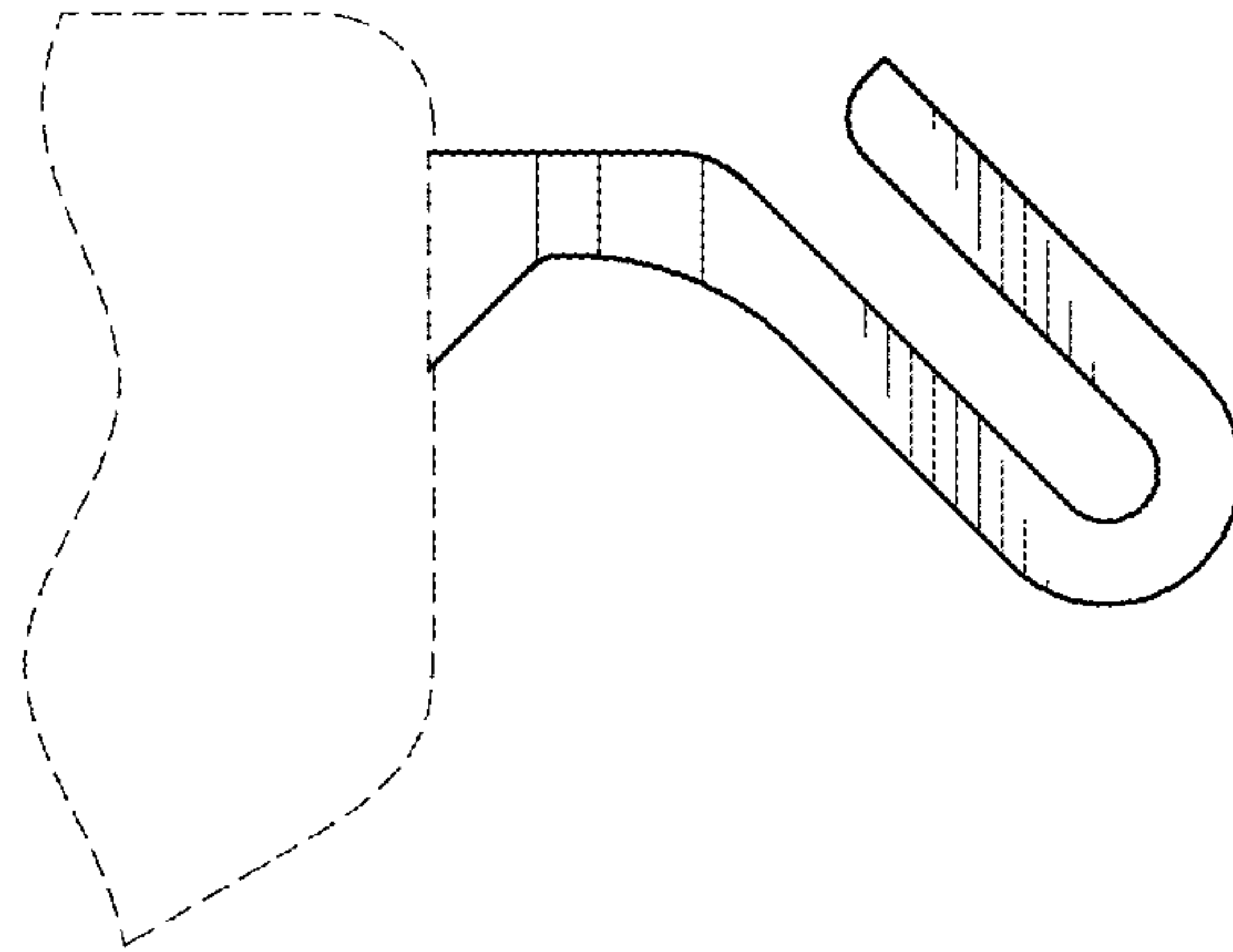


FIG. 21

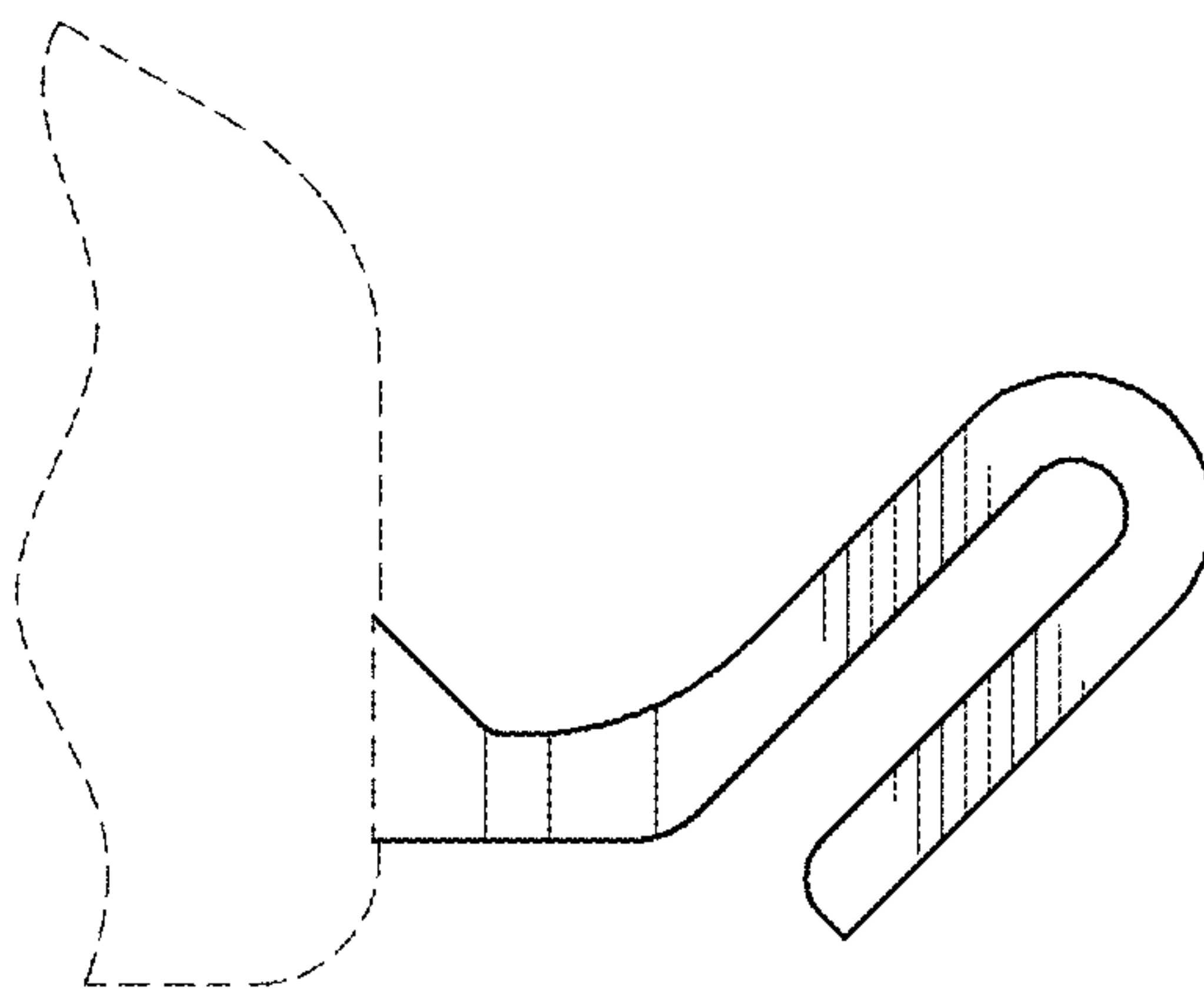


FIG. 22

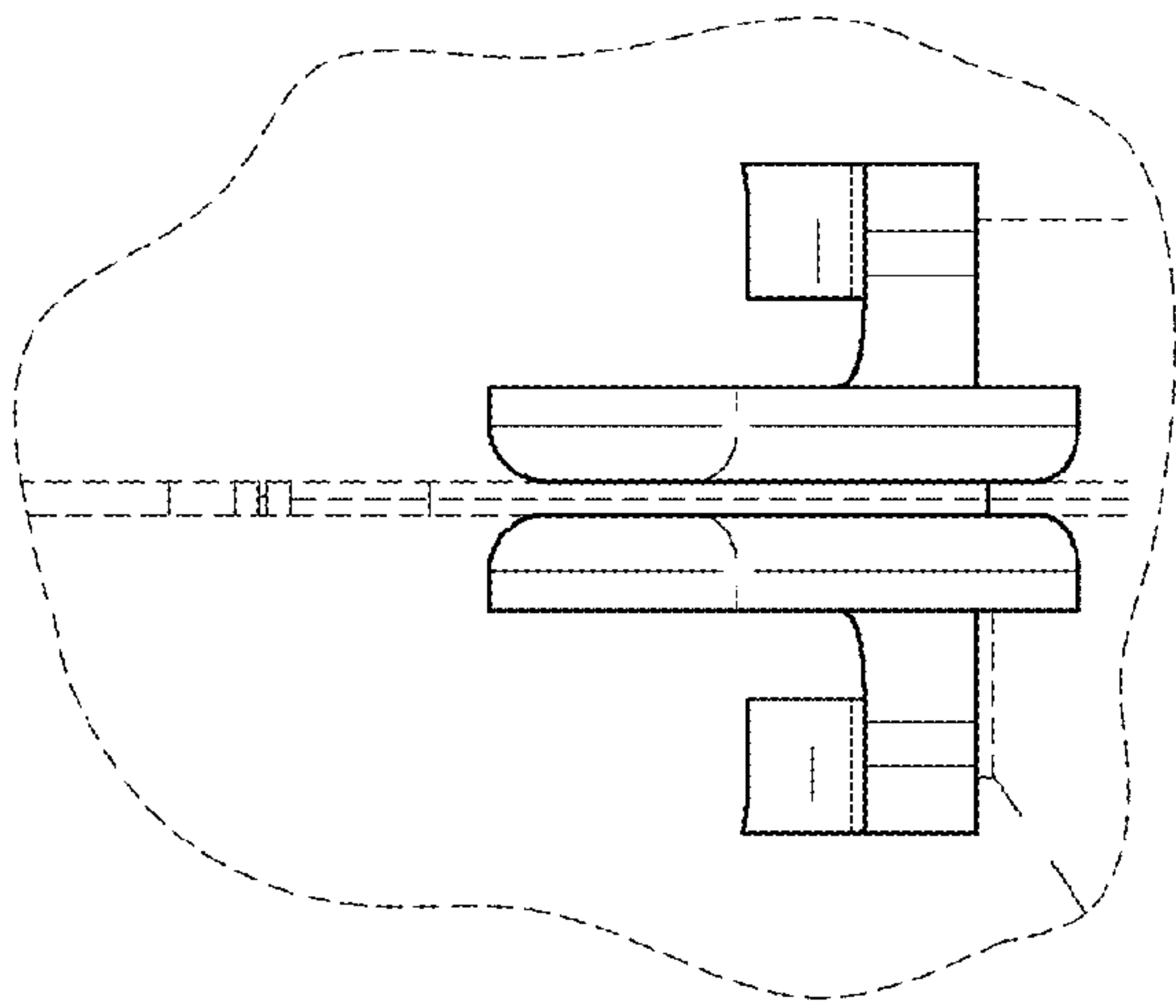


FIG. 23

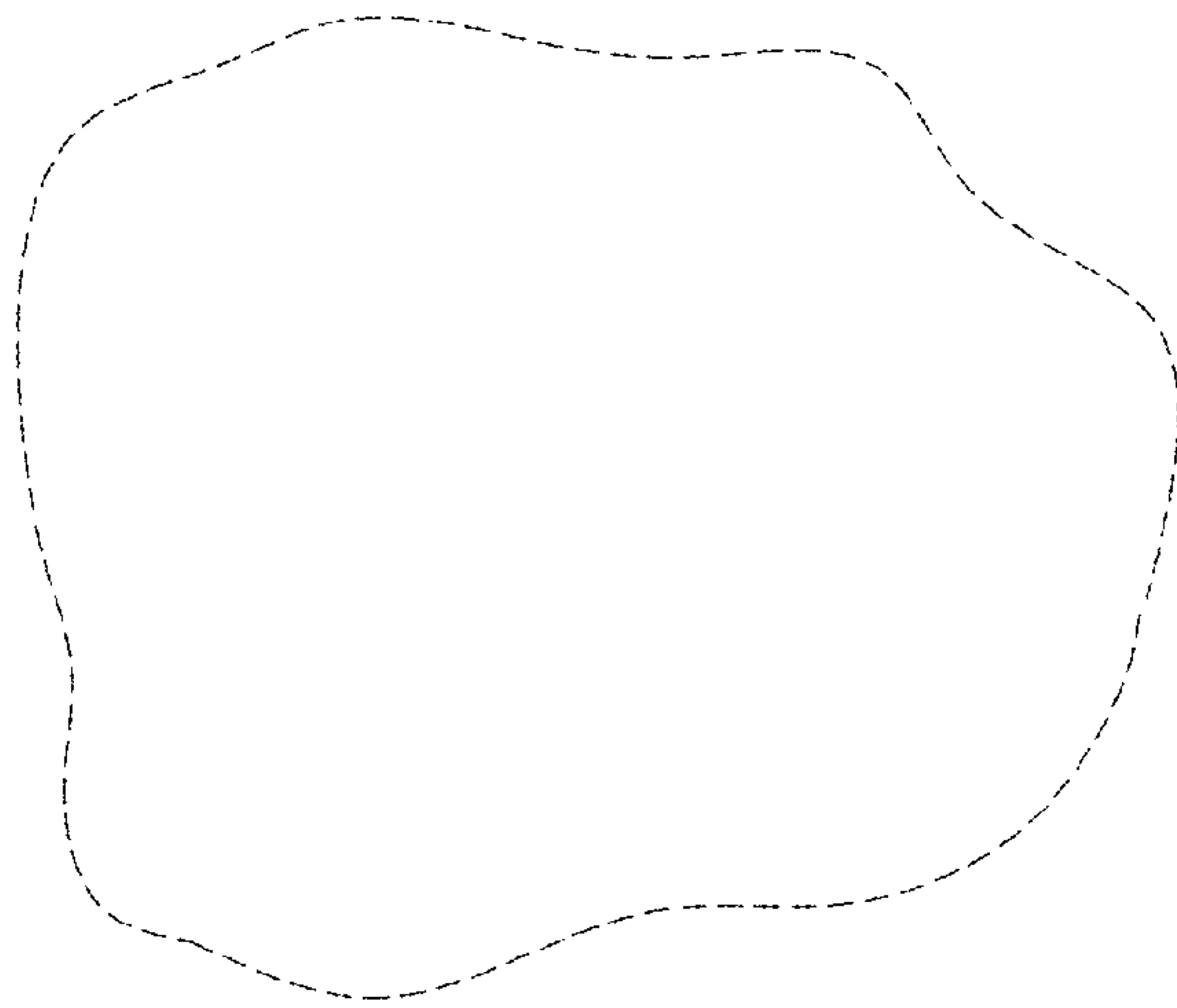


FIG. 24