



US00D903865S

(12) **United States Design Patent** (10) **Patent No.:** **US D903,865 S**
Banik et al. (45) **Date of Patent:** **** Dec. 1, 2020**

(54) SELF-RIGHTING TIP CAP	3,122,280 A	2/1964	Goda
	3,245,567 A	4/1966	Knight
(71) Applicants: Robert Banik , Hollywood, FL (US); Peter Lehel , Boca Raton, FL (US)	3,323,798 A	6/1967	Miller
	3,364,890 A	1/1968	Andersen
	3,368,673 A	2/1968	Johnson
	3,598,120 A	8/1971	Mass
(72) Inventors: Robert Banik , Hollywood, FL (US); Peter Lehel , Boca Raton, FL (US)	3,610,241 A	10/1971	LeMarie
	3,700,215 A	10/1972	Hardman et al.
	3,706,307 A	12/1972	Hasson
	3,712,749 A	1/1973	Roberts
(73) Assignee: International Medical Industries, Inc. , Pompano Beach, FL (US)	3,747,751 A	7/1973	Miller et al.
	3,872,867 A	3/1975	Killinger
	3,904,033 A	9/1975	Haerr
(**) Term: 15 Years	3,905,375 A	9/1975	Toyama
	3,937,211 A	2/1976	Merten
(21) Appl. No.: 29/670,721	4,005,739 A	2/1977	Winchell

(Continued)

(22) Filed: **Nov. 19, 2018**

(51) **LOC (12) Cl.** **24-02**

(52) **U.S. Cl.**
USPC **D24/130**

(58) **Field of Classification Search**
USPC D24/127-131, 112-114, 133, 186;
606/181, 185; 604/264, 523-528, 272,
604/187, 158, 164.01-164.11, 181, 184,
604/227; 600/101, 139, 143;
128/200.24, 207.14, 207.15; D9/453
CPC A61J 1/1412; A61J 1/1418; A61J 1/1425;
A61J 1/1431
See application file for complete search history.

FOREIGN PATENT DOCUMENTS

EP	0148116 A	7/1985
WO	WO 2008/000279	1/2008
WO	WO 2017086607	5/2015

Primary Examiner — Nathan M Johnston
(74) *Attorney, Agent, or Firm* — Malloy and Malloy, P.L.;
Jennie Sue Malloy

(57) **CLAIM**

The ornamental design for a self-righting tip cap, as shown and described.

(56) **References Cited**

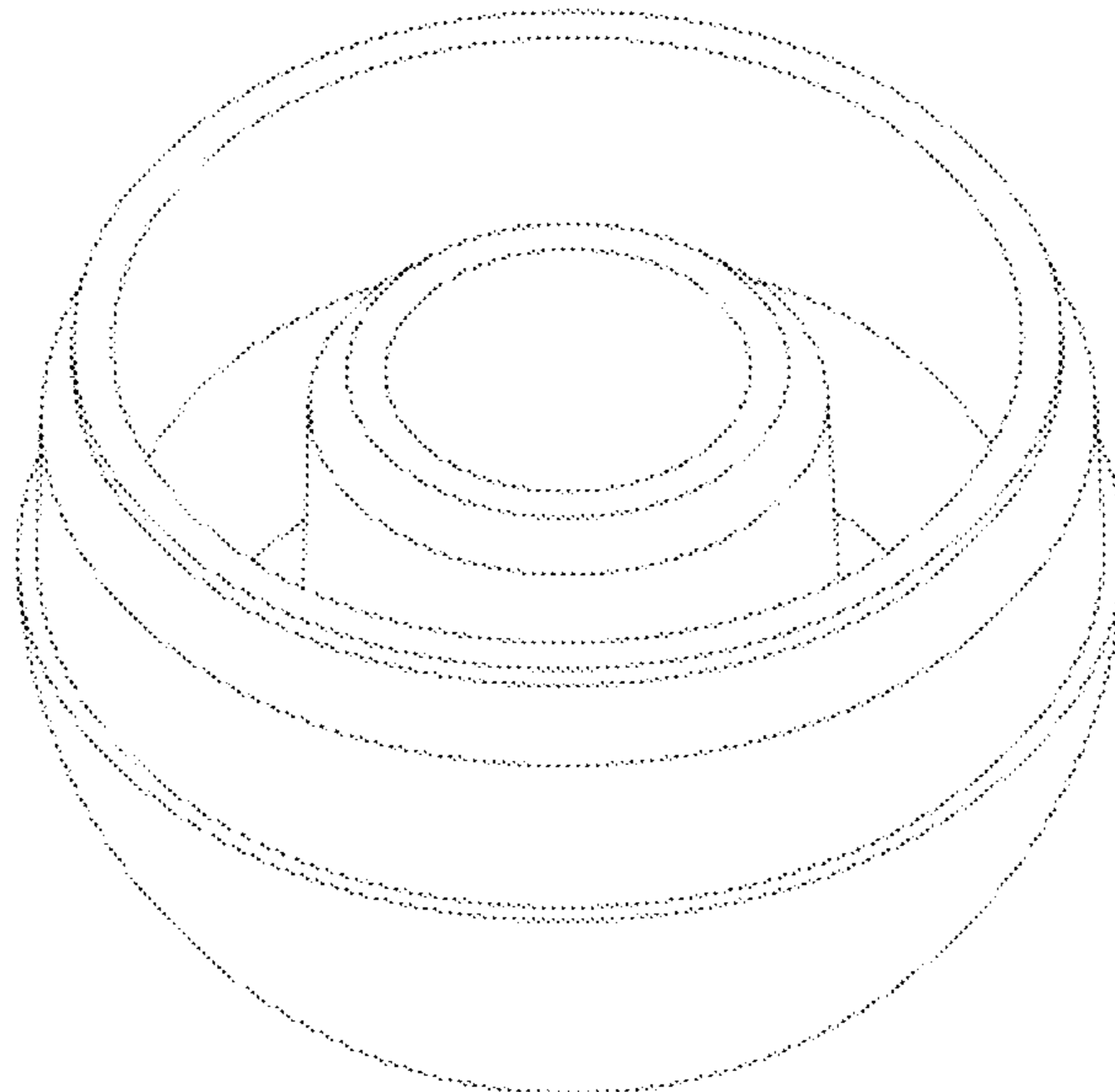
U.S. PATENT DOCUMENTS

732,662 A	6/1903	Smith
1,678,991 A	7/1928	Marschalek
1,970,631 A	8/1934	Sherman
2,477,598 A	8/1949	Hain
2,739,590 A	3/1956	Yochem
2,823,674 A	2/1958	Yochem
2,834,346 A	5/1958	Adams
2,875,761 A	3/1959	Helmer et al.
2,888,015 A	5/1959	Hunt
2,952,255 A	9/1960	Hein, Jr.

DESCRIPTION

FIG. 1 is a front perspective view illustrating my design for a self-righting tip cap;
FIG. 2 is a front elevation view, with the rear view, right side view and left side view being mirror images thereof;
FIG. 3 is a top plan view thereof;
FIG. 4 is a bottom plan view thereof; and,
FIG. 5 is a cross-sectional view thereof taken along the lines 5-5 shown in FIG. 3.

1 Claim, 5 Drawing Sheets



(56)

References Cited

U.S. PATENT DOCUMENTS

2016/0090456	A1	3/2016	Ishimaru et al.	
2016/0144119	A1	5/2016	Limaye et al.	
2016/0158110	A1	6/2016	Swisher et al.	
2016/0158449	A1	6/2016	Limaye et al.	
2016/0176550	A1	6/2016	Vitello et al.	
2016/0328586	A1	11/2016	Bowden et al.	
2016/0361235	A1	12/2016	Swisher	
2016/0367439	A1	12/2016	Davis et al.	
2017/0014310	A1	1/2017	Hyun et al.	
2017/0124289	A1	5/2017	Hasan et al.	
2017/0173321	A1	6/2017	Davis et al.	
2017/0203086	A1	7/2017	Davis	
2017/0319438	A1	11/2017	Davis et al.	
2017/0354792	A1	12/2017	Ward	
2018/0001540	A1	1/2018	Byun	
2018/0078684	A1*	3/2018	Peng	A61M 1/0086
2018/0089593	A1	3/2018	Patel et al.	

* cited by examiner

Fig. 1

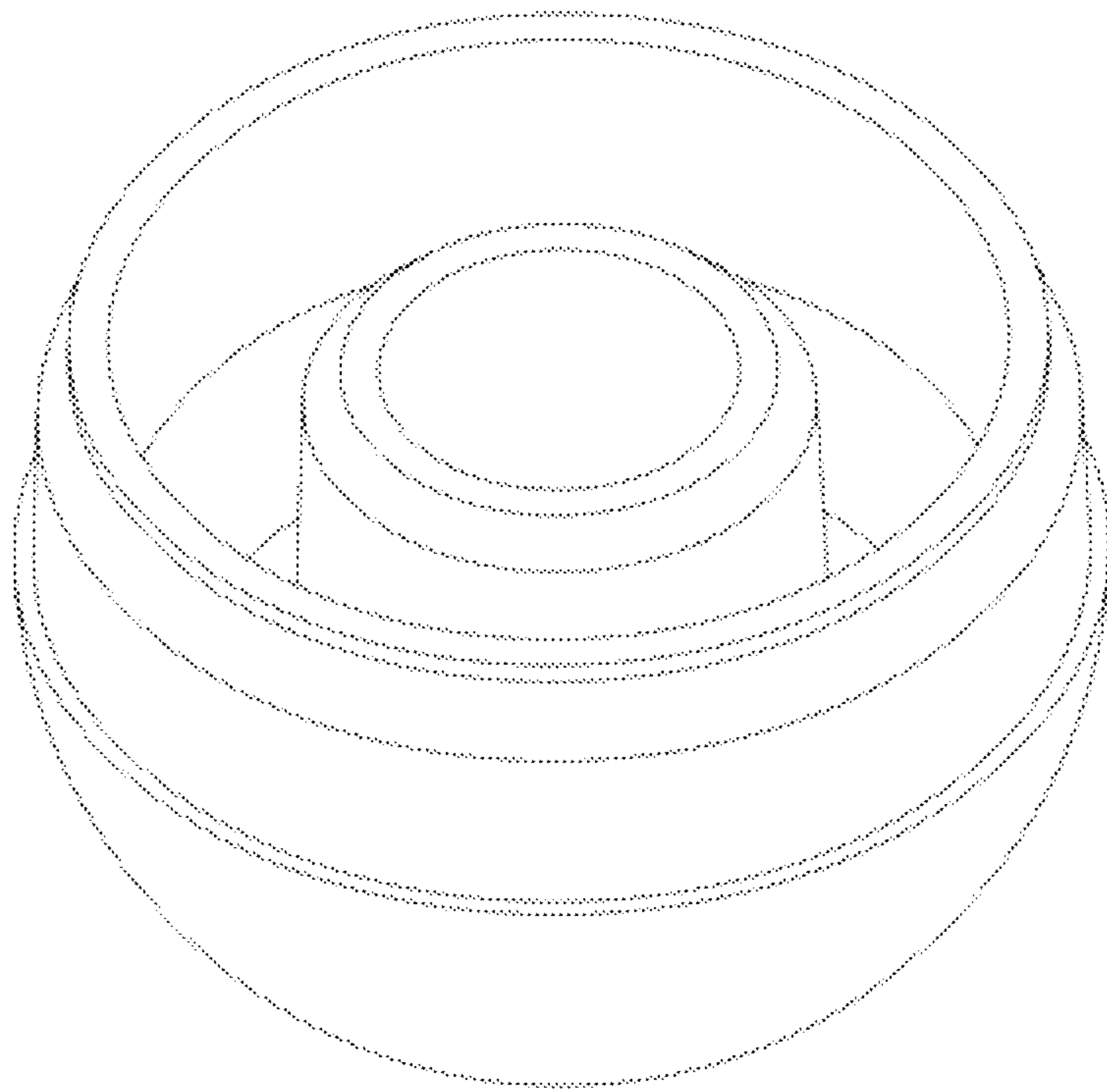


Fig. 2

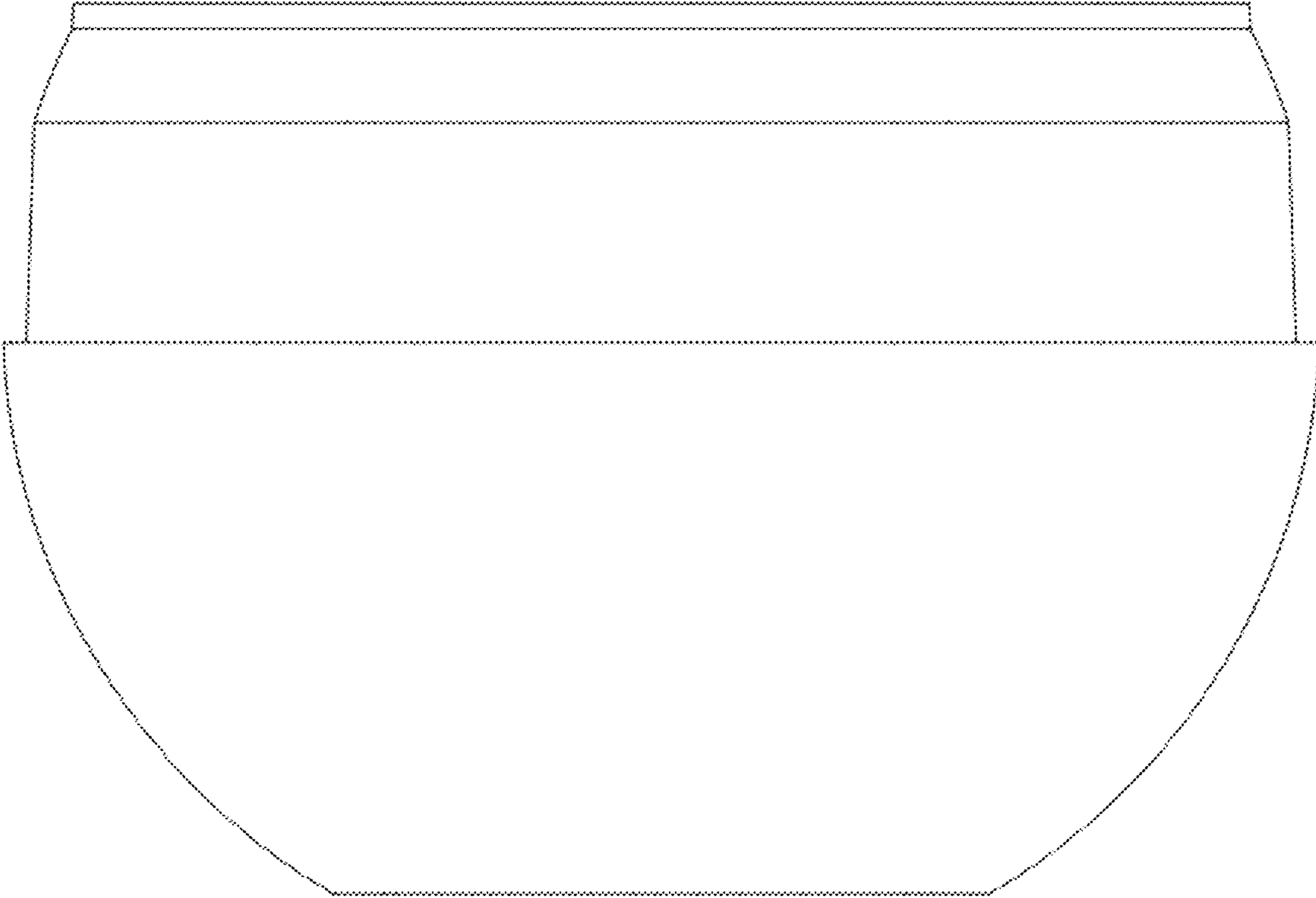


Fig. 3

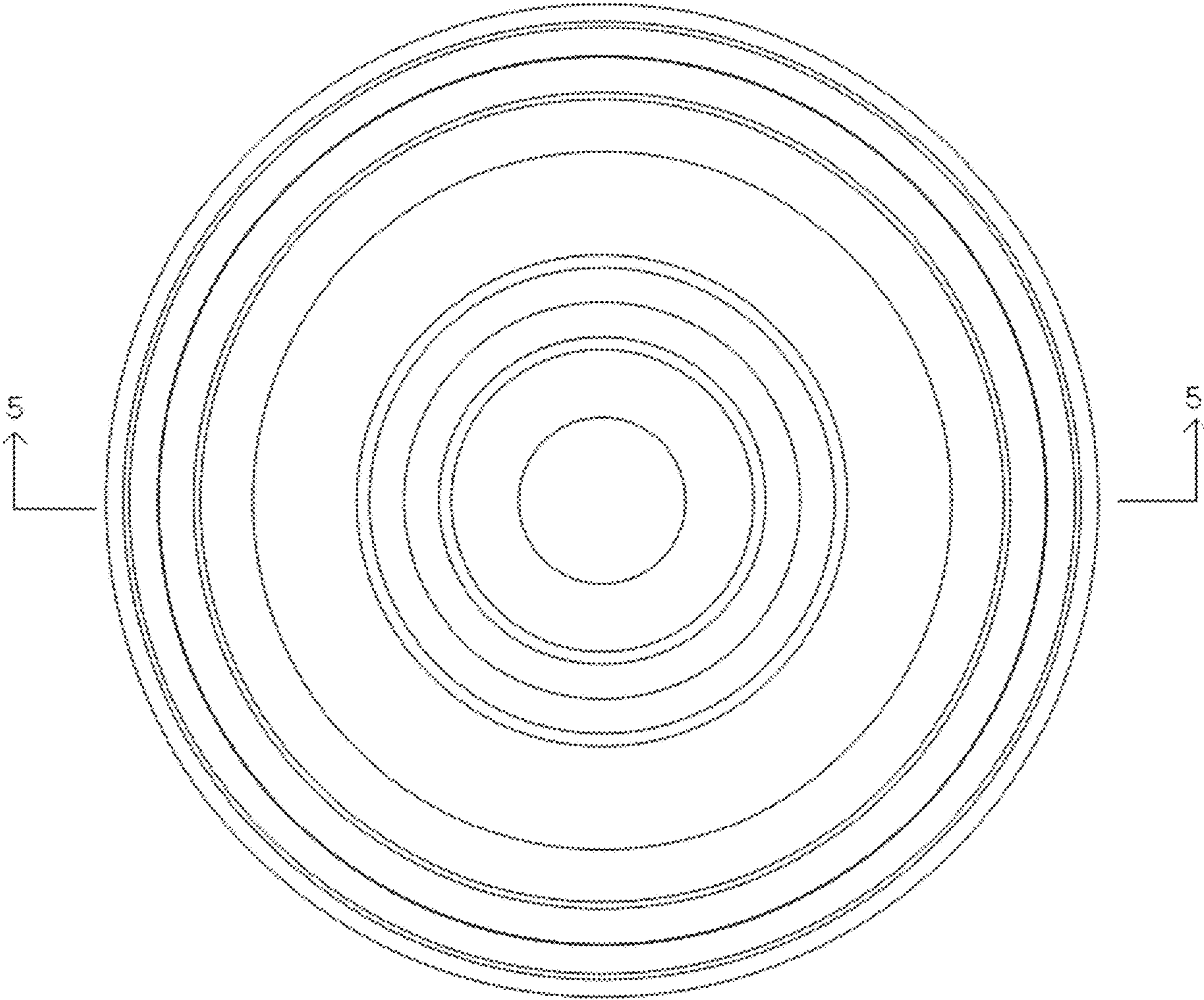


Fig. 4

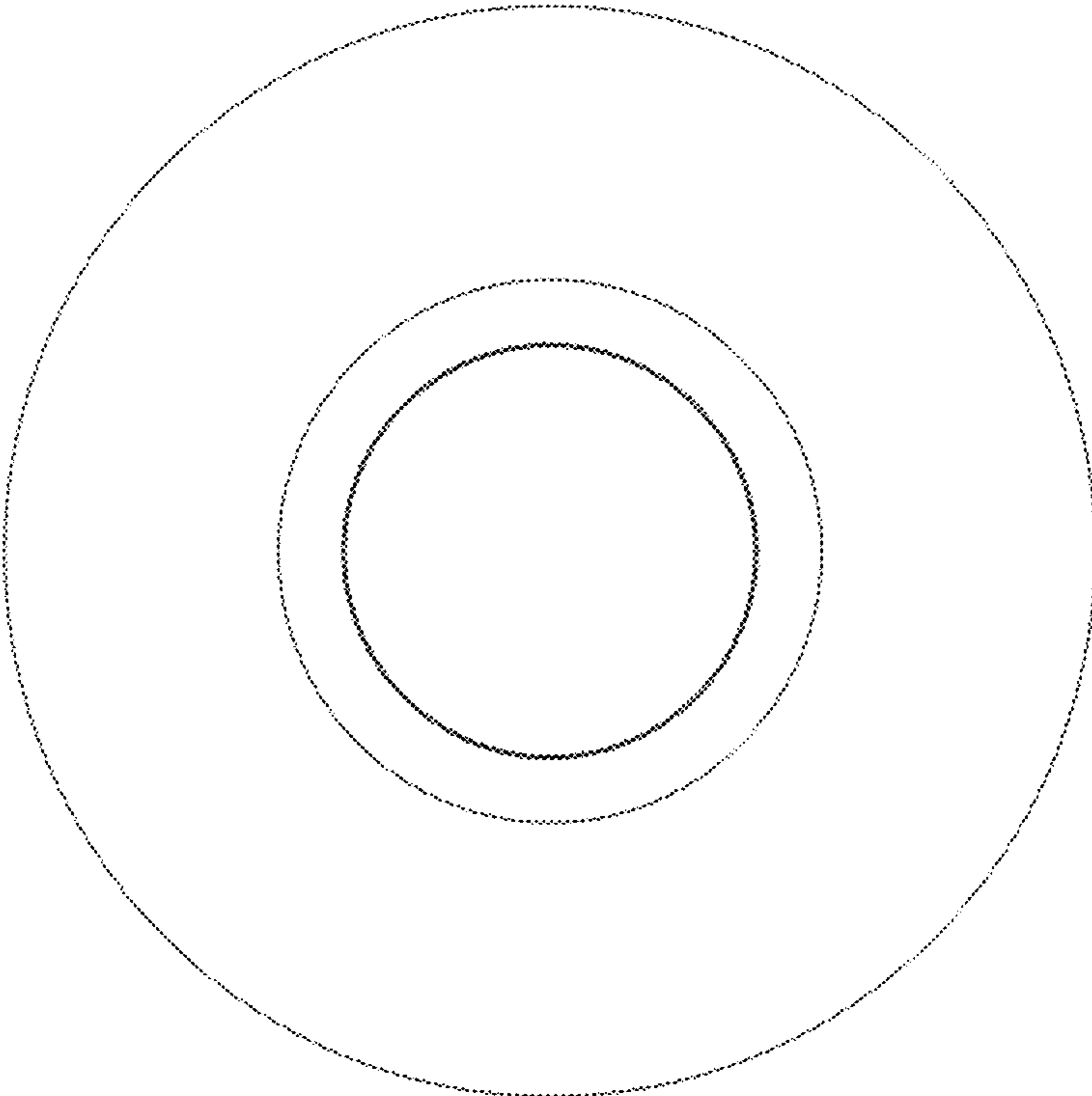


FIG. 5

