



US00D903863S

(12) **United States Design Patent** (10) **Patent No.:** **US D903,863 S**
Dacosta et al. (45) **Date of Patent:** **** Dec. 1, 2020**

(54) **ADAPTER FOR SUPPORTING A DARKENING DRAPE**

(71) Applicant: **MolecuLight Inc.**, Toronto (CA)

(72) Inventors: **Ralph S. Dacosta**, Etobicoke (CA); **Simon Treadwell**, Toronto (CA); **Sonia Gulia**, Toronto (CA); **Garrett Vermey**, Toronto (CA); **Danielle Dunham**, Toronto (CA); **Nitesh Mistry**, Toronto (CA)

(73) Assignee: **MolecuLight Inc.**, Toronto (CA)

(**) Term: **15 Years**

(21) Appl. No.: **29/676,893**

(22) Filed: **Jan. 15, 2019**

(51) **LOC (12) Cl.** **24-02**

(52) **U.S. Cl.**
USPC **D24/128**

(58) **Field of Classification Search**
USPC D24/189, 127-131, 112-114, 133, 186;
D6/602
CPC ... A61B 46/00; A61B 2046/205; A61B 46/30;
A61B 2046/236; A61B 46/23; A61B
2046/201; A61B 2046/234
See application file for complete search history.

(56) **References Cited**

U.S. PATENT DOCUMENTS

D256,161 S 7/1980 Oliver
D260,492 S * 9/1981 Scott D7/392.1
(Continued)

FOREIGN PATENT DOCUMENTS

AU 2011242140 A1 11/2011
CN 105954194 A 9/2016
(Continued)

OTHER PUBLICATIONS

International Search Report from International Application No. PCT/CA2019/000061, dated Jul. 24, 2019.

(Continued)

Primary Examiner — Nathan M Johnston
(74) *Attorney, Agent, or Firm* — Jones Robb, PLLC

(57) **CLAIM**

The ornamental design for an adaptor for supporting a darkening drape, as shown and described.

DESCRIPTION

FIG. 1 is a top, left side perspective view of an adaptor for supporting a darkening drape with an exemplary darkening drape connected thereto, in the environment of having an exemplary handheld imaging device mounted thereon.

FIG. 2 is a front view thereof.

FIG. 3 is a back view thereof.

FIG. 4 is a left side view thereof.

FIG. 5 is a right side view thereof.

FIG. 6 is a top view thereof; and,

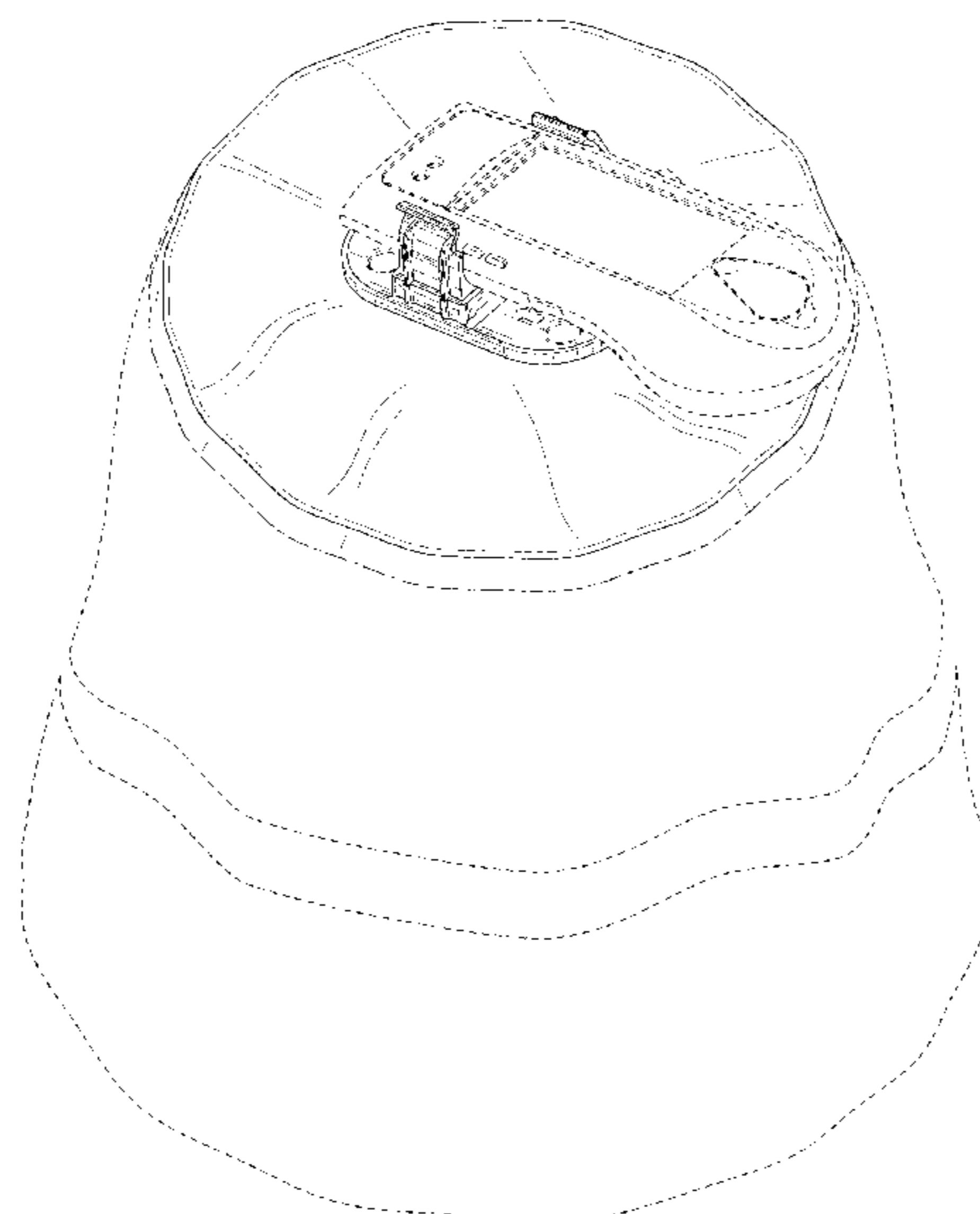
FIG. 7 is a bottom view thereof.

The broken lines showing a handheld imaging device mounted on the adaptor for supporting a darkening drape and a darkening drape connected to the adaptor for supporting a darkening drape are provided for the purposes of illustrating environmental structure; whereas all other broken lines in FIGS. 1-7 show portions of the adaptor for supporting a darkening drape. The broken lines showing the aforementioned handheld imaging device, darkening drape, and portions of the adaptor for supporting a darkening drape do not form part of the claimed design.

The light weight lines in the figures show surface contour and material and not surface ornamentation.

The adaptor for supporting a darkening drape is not limited to the scale shown herein.

1 Claim, 7 Drawing Sheets



(56)

References Cited

U.S. PATENT DOCUMENTS

D318,920 S 8/1991 Bruhl
 5,097,963 A 3/1992 Chernosky et al.
 5,107,859 A * 4/1992 Alcorn A61F 5/445
 128/849
 5,488,944 A 2/1996 Kennedy
 D382,203 S * 8/1997 Fonville D7/900
 6,279,743 B1 8/2001 Ballard et al.
 D456,518 S 4/2002 Ioannides
 6,413,240 B1 * 7/2002 Bierman A61M 25/02
 128/DIG. 26
 D467,345 S 12/2002 Gingles
 D498,536 S 11/2004 Ewonce et al.
 D503,982 S * 4/2005 Liedtke D24/189
 D617,910 S * 6/2010 Horton D24/224
 D630,325 S * 1/2011 Kirsch D24/145
 8,196,739 B2 * 6/2012 Kirsch A61B 17/06123
 206/63.3
 D716,444 S * 10/2014 Khalaj D24/128
 D796,036 S 8/2017 Ren
 D796,685 S 9/2017 Ohizep
 D800,917 S 10/2017 Cataldo et al.
 D804,677 S 12/2017 Ramires et al.
 D804,678 S 12/2017 Ramires et al.

D810,949 S 2/2018 Osher
 D851,772 S 6/2019 Haines et al.
 D859,155 S * 9/2019 Reiley D9/449
 10,441,749 B2 * 10/2019 Karim A61M 5/1418
 D877,931 S * 3/2020 DaCosta D24/231
 2007/0017529 A1 * 1/2007 Lee A61B 46/00
 128/852
 2014/0207003 A1 7/2014 Gilhuly et al.
 2014/0218687 A1 8/2014 Verdooner
 2015/0038912 A1 * 2/2015 Karim A61M 25/02
 604/178

FOREIGN PATENT DOCUMENTS

EP 1252859 A2 10/2002
 KR 200320485 Y1 7/2003
 KR 200342885 Y1 2/2004
 WO 2019/213737 A1 11/2019

OTHER PUBLICATIONS

Written Opinion from International Application No. PCT/CA2019/
 000061, dated Jul. 24, 2019.
 Design U.S. Appl. No. 29/647,10, dated May 9, 2018.

* cited by examiner

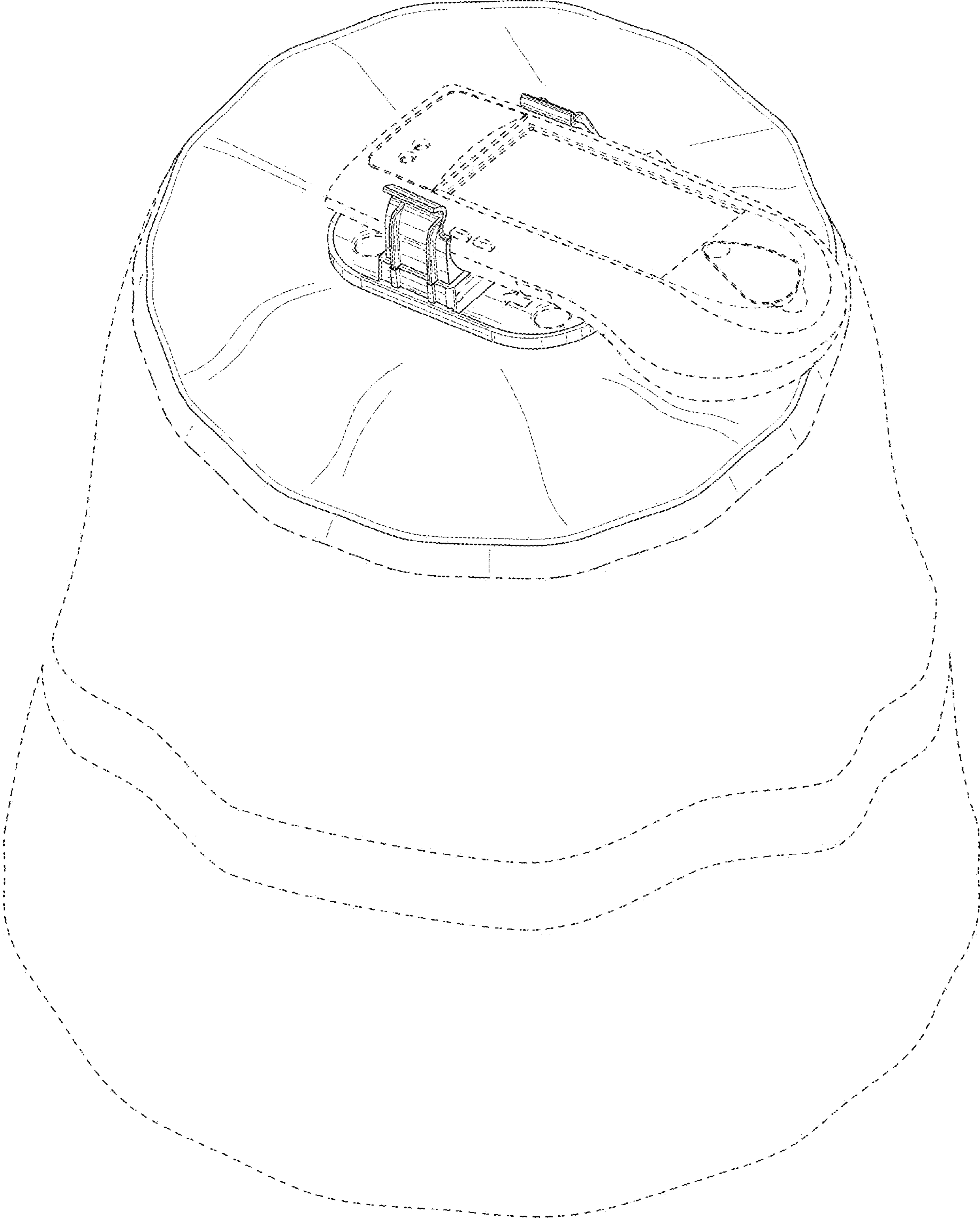


FIG. 1

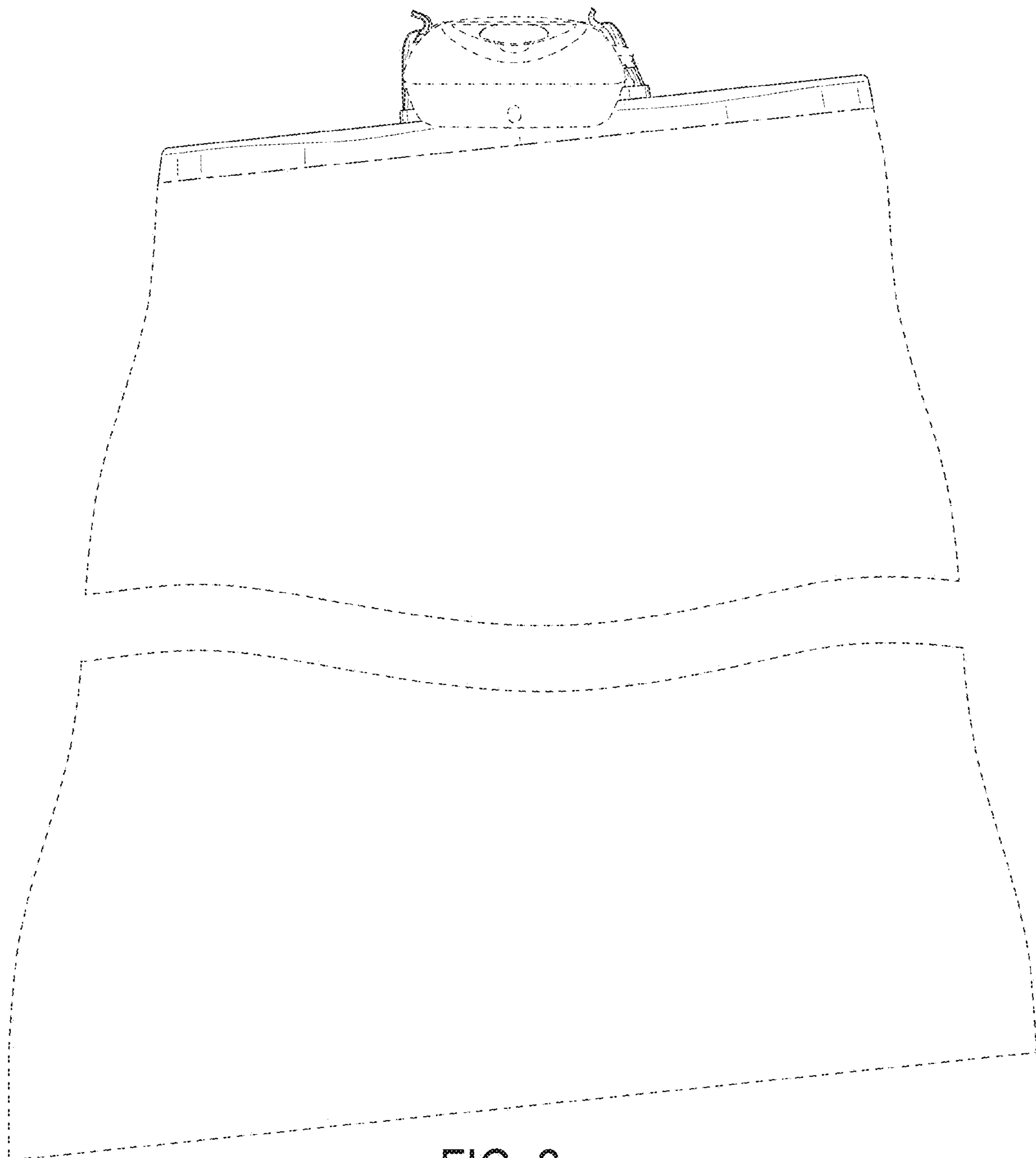


FIG. 2

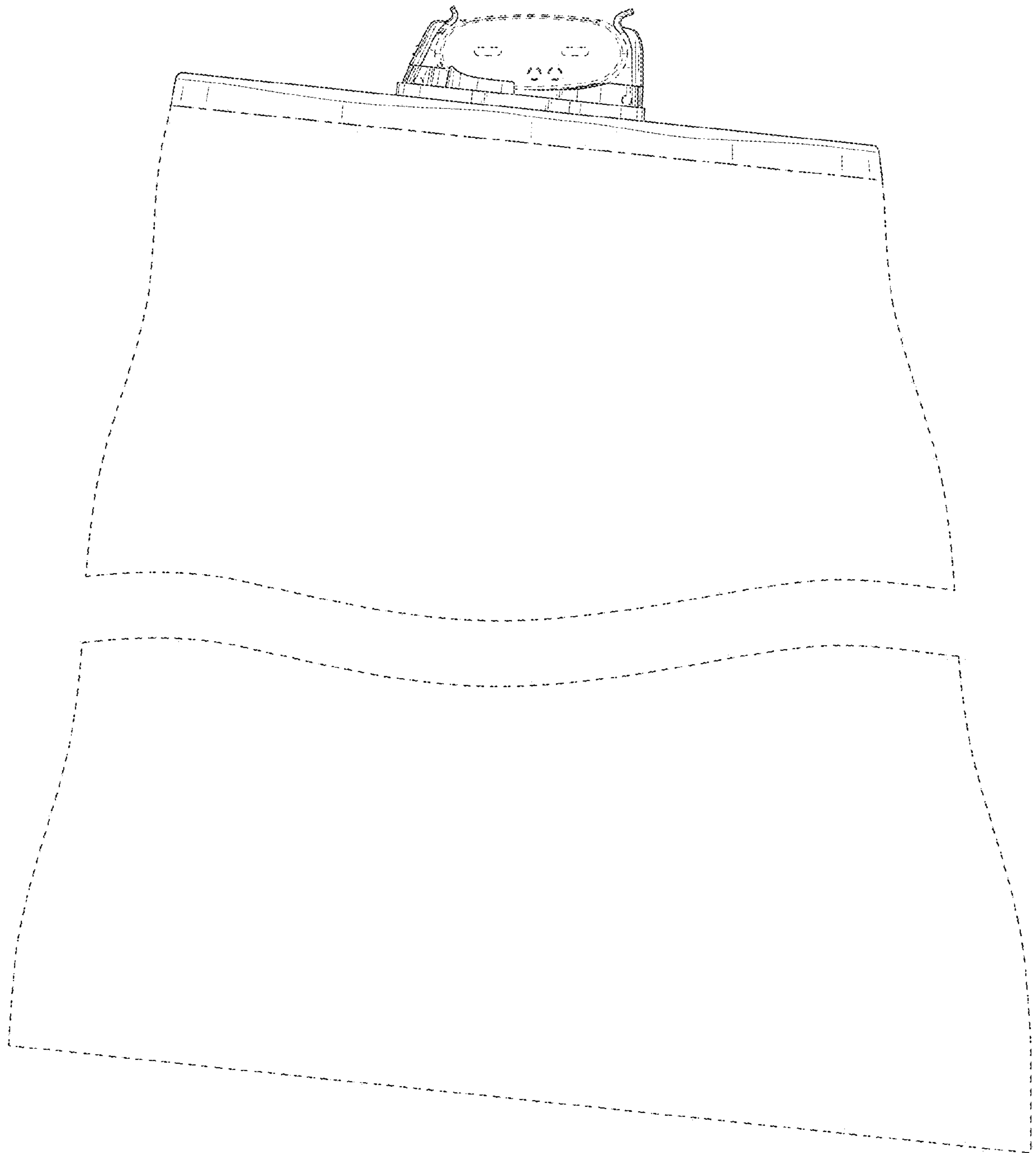


FIG. 3

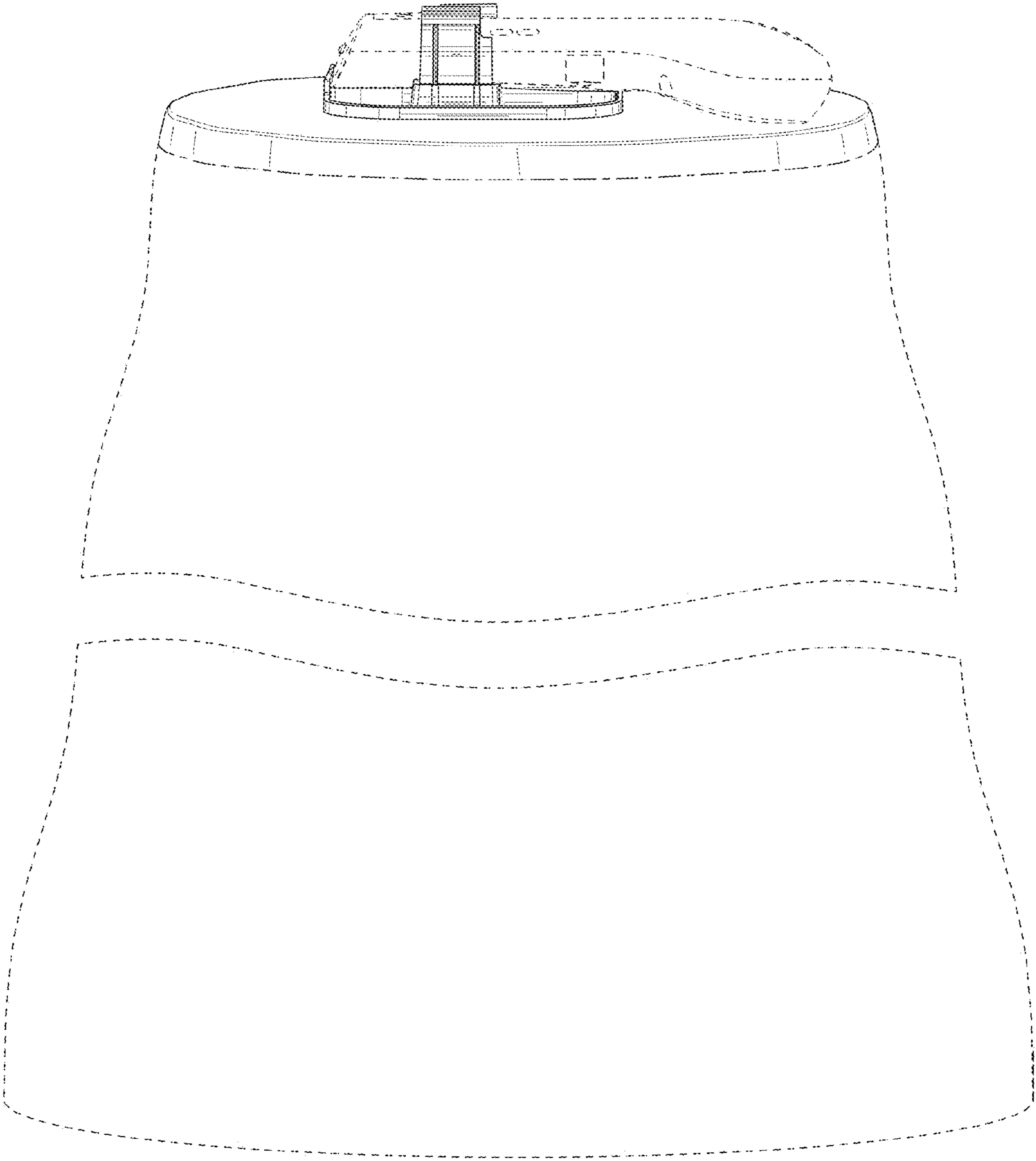


FIG. 4

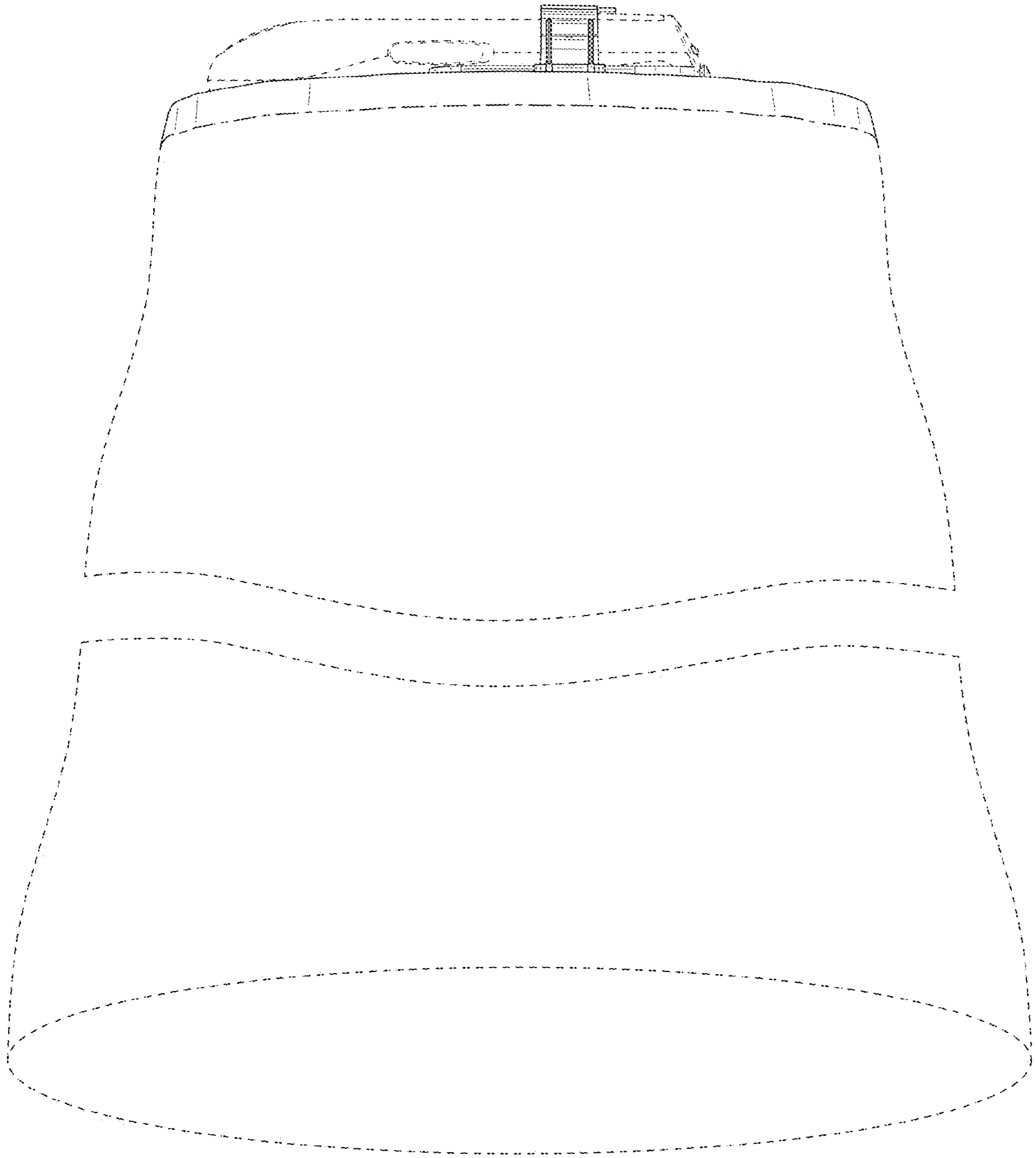


FIG. 5

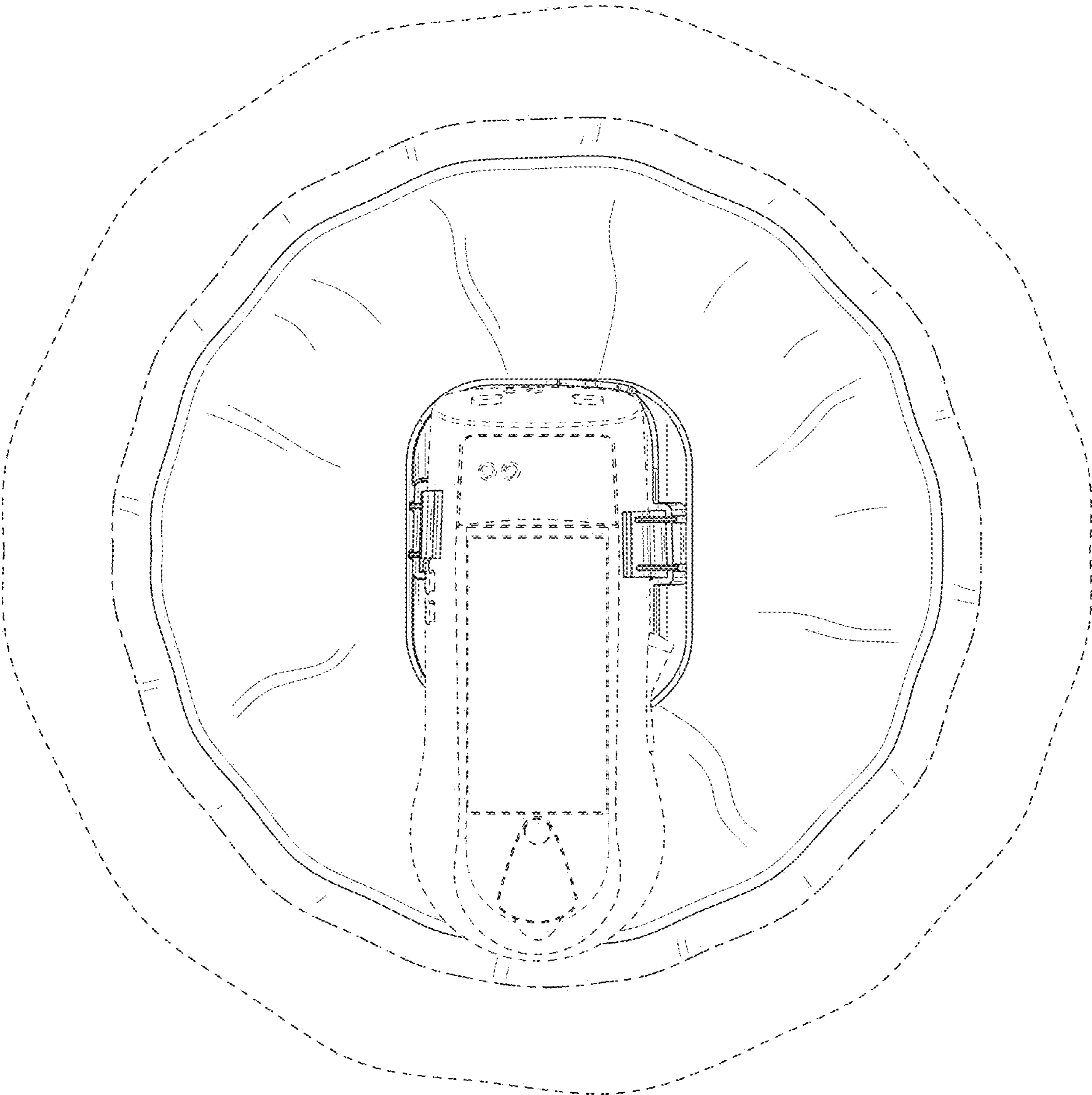


FIG. 6

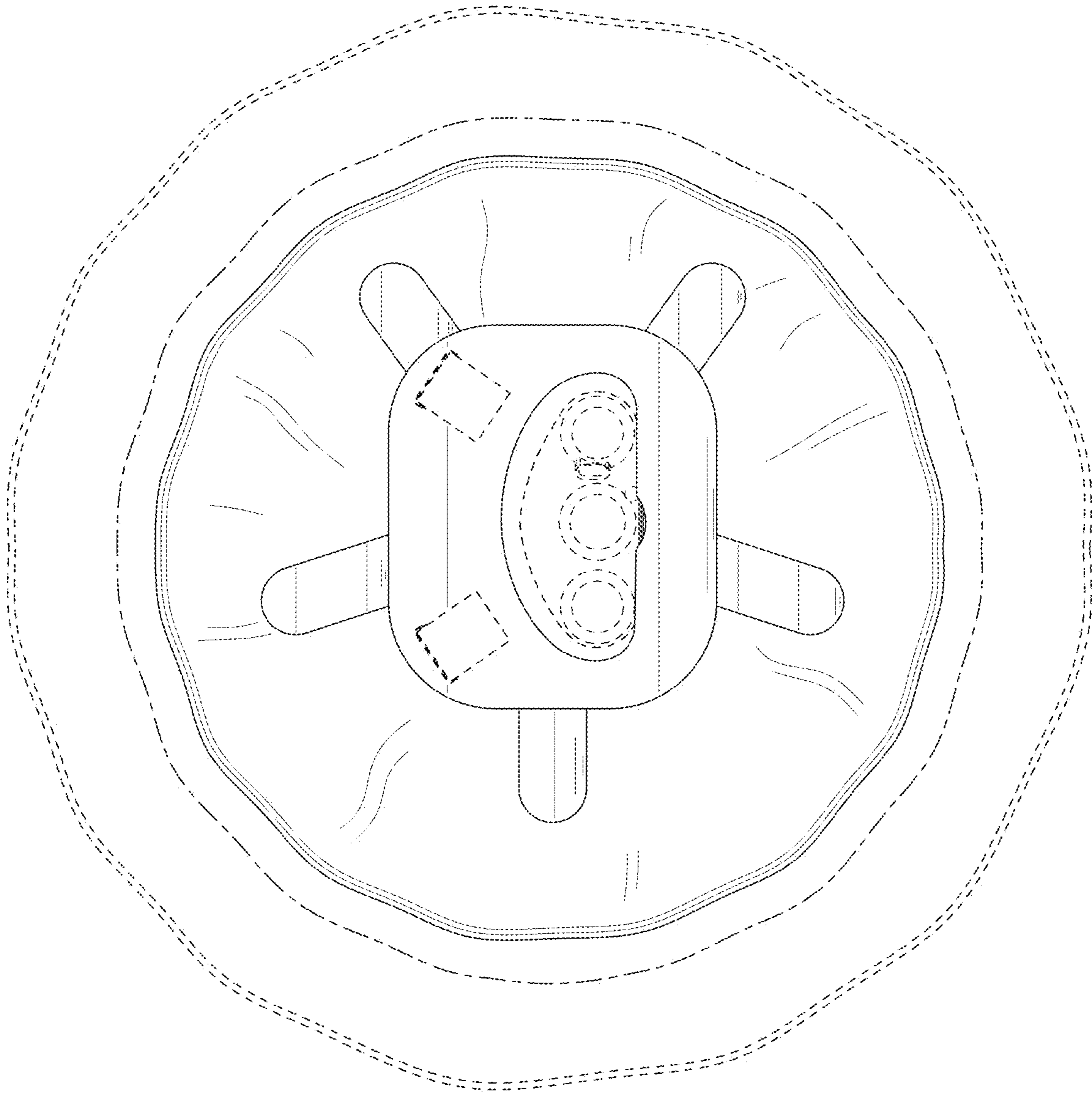


FIG. 7