



US00D903862S

(12) **United States Design Patent** (10) **Patent No.:** **US D903,862 S**
Zhang et al. (45) **Date of Patent:** **** Dec. 1, 2020**

(54) **ENEMATOR WITH TUBE**

A61M 1/00; A61M 5/178; A61M 5/32;
A61M 35/00; A61N 1/30

See application file for complete search history.

(71) Applicant: **Ningbo Albert Novosino Co., Ltd.**,
Ningbo (CN)

(56) **References Cited**

(72) Inventors: **Yonggui Zhang**, Ningbo (CN); **Haibo Hu**, Ningbo (CN)

U.S. PATENT DOCUMENTS

(73) Assignee: **Ningbo Albert Novosino Co., Ltd.**,
Ningbo (CN)

2,543,075 A * 2/1951 Swain A61M 3/0279
604/84
3,275,509 A * 9/1966 Rowan A61K 9/0031
514/63

(Continued)

(**) Term: **15 Years**

FOREIGN PATENT DOCUMENTS

(21) Appl. No.: **29/703,514**

CN 303118572 * 3/2015

(22) Filed: **Aug. 28, 2019**

OTHER PUBLICATIONS

(30) **Foreign Application Priority Data**

Jun. 13, 2019 (CN) 2019 1 0512359
Jun. 13, 2019 (CN) 2019 2 0888857
Jul. 12, 2019 (CN) 2019 3 0371664

Enema Bulb, [site visited Sep. 11, 2020]. Available from Internet.
URL: <https://www.ebay.com/itm/Enema-Bulb-Rectal-Syringe-Anal-Clean-Stream-Irrigation-Enemator-Douche-System-/332344511159> (Year: 2020).*

(51) **LOC (12) Cl.** **24-02**

Primary Examiner — T Chase Nelson

Assistant Examiner — Kelly L Gross

(52) **U.S. Cl.**

USPC **D24/119**

(74) *Attorney, Agent, or Firm* — Thomas | Horstemeyer
LLP

(58) **Field of Classification Search**

USPC D24/107, 108, 110, 110.4–110.6,
D24/111–115, 117–122, 123, 130, 133,
D24/141, 152, 186, 215, 109, 127, 129,
D24/135; D28/7, 8; D7/667, 669;
D9/436, 439, 440, 447, 723, 718, 719,
D9/724, 732, 302, 367, 545, 551, 563,
D9/564, 686–694

(57) **CLAIM**

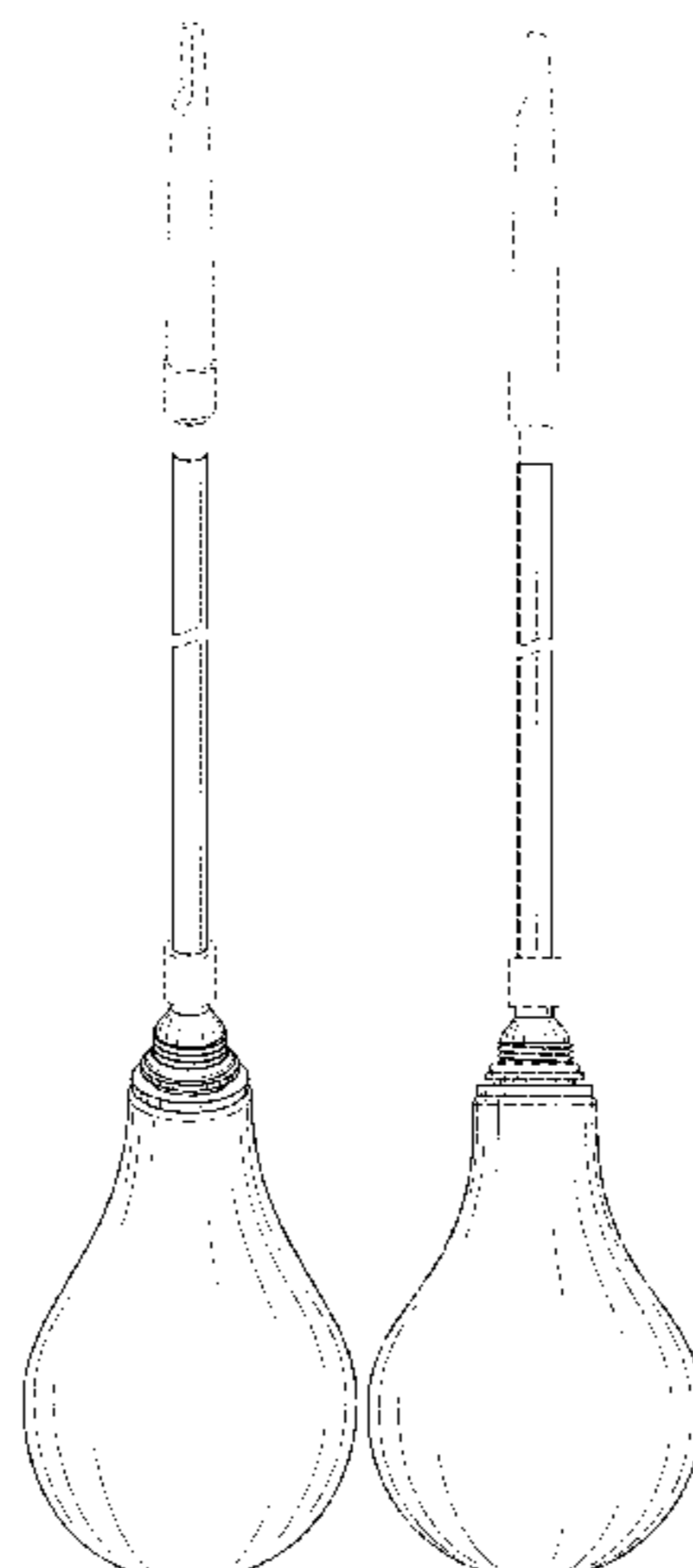
The ornamental design for an enemator with tube, as shown
and described.

CPC A61F 9/0008; B65D 47/18; B01L 3/0282;
A61M 3/0262; A61M 3/0279; A61M
3/025; A61M 31/00; A61M 2210/1064;
A61M 2210/1067; A61M 2205/075;

DESCRIPTION

FIG. 1 is a perspective view of an enemator with a tube,
showing the new design;
FIG. 2 is a front view thereof;
FIG. 3 is a rear view thereof;
FIG. 4 is a right side view thereof;
FIG. 5 is a left side view thereof;
FIG. 6 is a top view thereof; and,
FIG. 7 is a bottom view thereof.

(Continued)



The enemator with tube is shown with a symbolic break in its length. The appearance of any portion of the article between the break lines form no part of the claimed design. The broken lines illustrate portions of the enemator with tube that do not form any part of the claimed design

1 Claim, 4 Drawing Sheets

(56)

References Cited

U.S. PATENT DOCUMENTS

D299,866 S * 2/1989 Alexander D24/115
 4,921,488 A * 5/1990 Maitz A61M 1/0023
 604/153
 D310,876 S * 9/1990 Jervis D24/115
 D410,668 S * 6/1999 Malave D16/331
 6,110,150 A * 8/2000 Singo A61M 31/00
 604/117
 D490,896 S * 6/2004 Bogazzi D24/133
 D504,508 S * 4/2005 Patrickson D24/108
 D513,592 S * 1/2006 O'Day A61M 1/0023
 D9/500

7,300,424 B1 * 11/2007 Mulford A61M 1/0003
 604/212
 D557,606 S * 12/2007 Rashid D9/500
 D588,408 S * 3/2009 Kao D7/507
 D675,939 S * 2/2013 Van Gogh D9/724
 D728,098 S * 4/2015 Schad D24/146
 D728,099 S * 4/2015 Schad D24/146
 D733,301 S * 6/2015 Mueller D24/147
 D772,579 S * 11/2016 Baranes D4/116
 D779,054 S * 2/2017 Mehta D24/115
 D779,055 S * 2/2017 Mehta D24/115
 D782,660 S * 3/2017 Tsujimoto D24/122
 D789,471 S * 6/2017 Pajonk-Taylor D21/787
 D814,036 S * 3/2018 Fuchs A61M 3/0262
 D24/147
 D838,757 S * 1/2019 Wirtz A61M 3/0262
 D15/150
 D846,143 S * 4/2019 Ito A61M 3/0262
 D24/222
 D848,610 S * 5/2019 Griffin A61M 31/00
 D24/119
 10,518,022 B1 * 12/2019 Walker A61M 3/0262
 D885,549 S * 5/2020 Cui A61M 3/0279
 D23/366
 2012/0310174 A1 * 12/2012 Yoo 3/262
 2020/0215257 A1 * 7/2020 Hagen A61M 3/0262

* cited by examiner

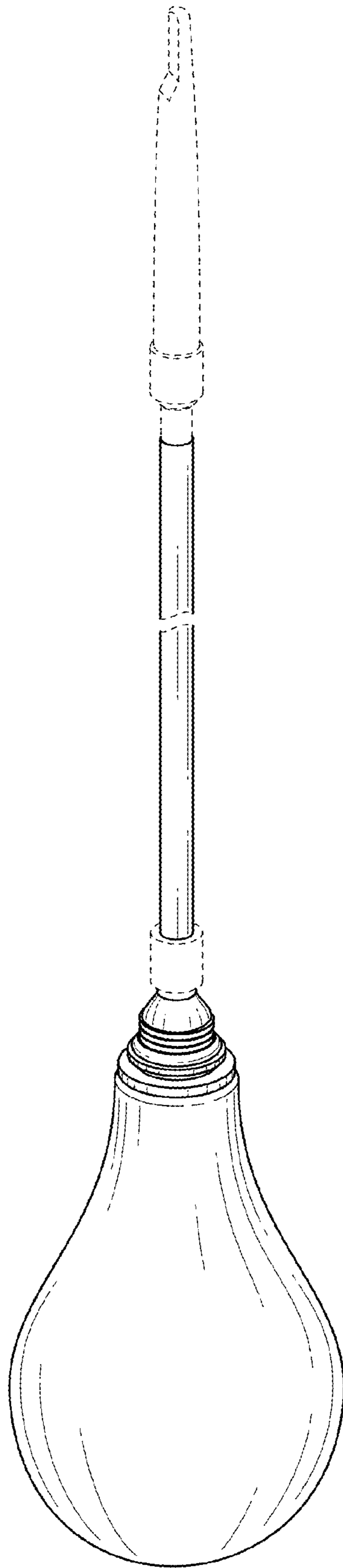


FIG. 1

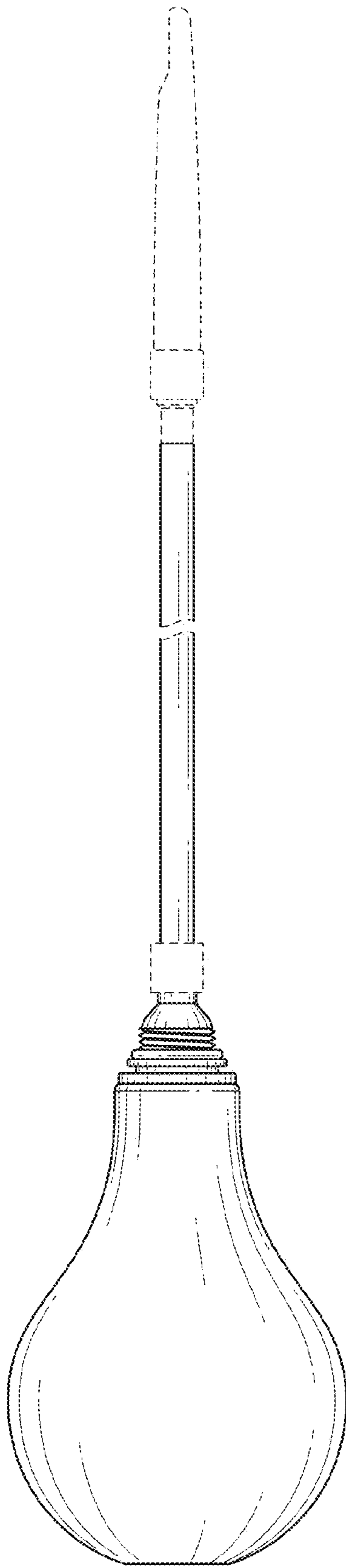


FIG. 2

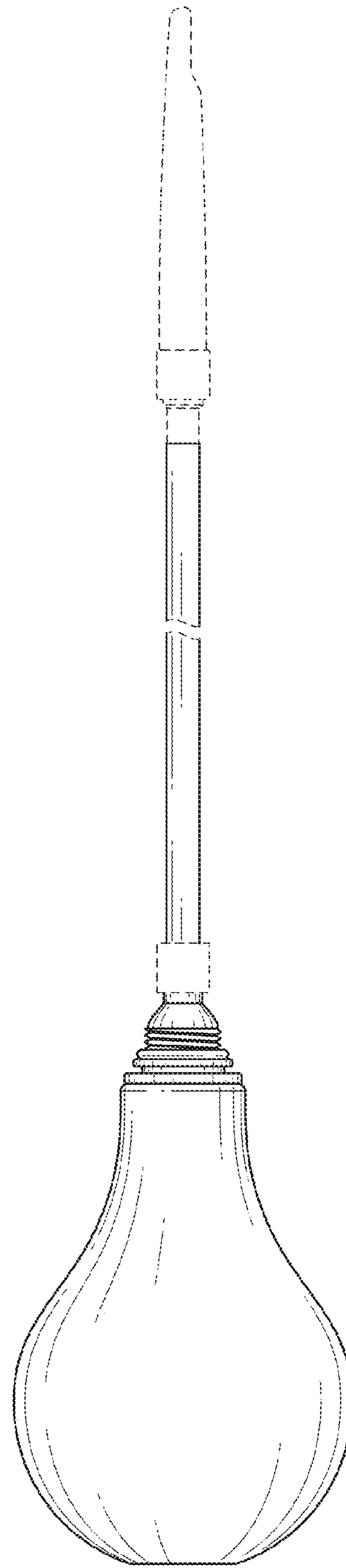


FIG. 3

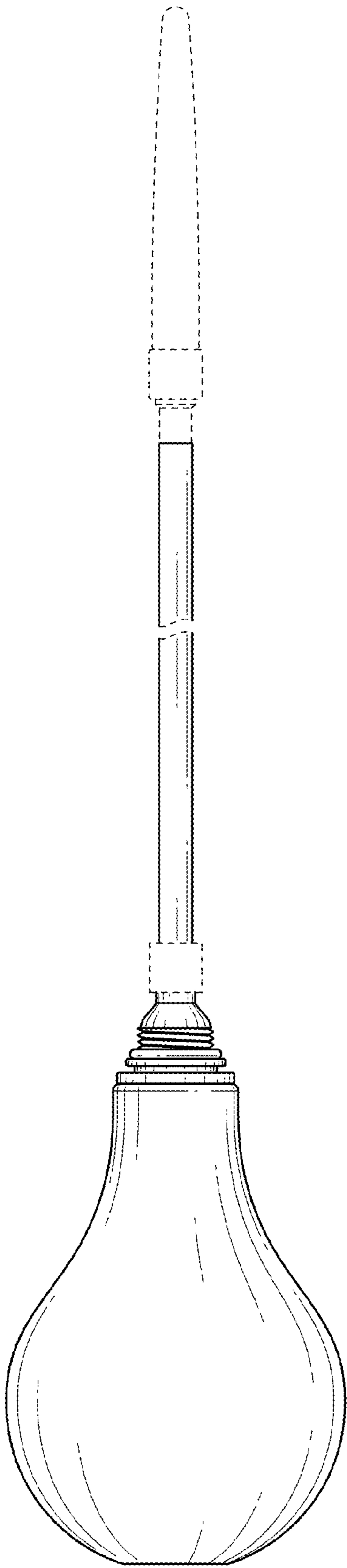


FIG. 4

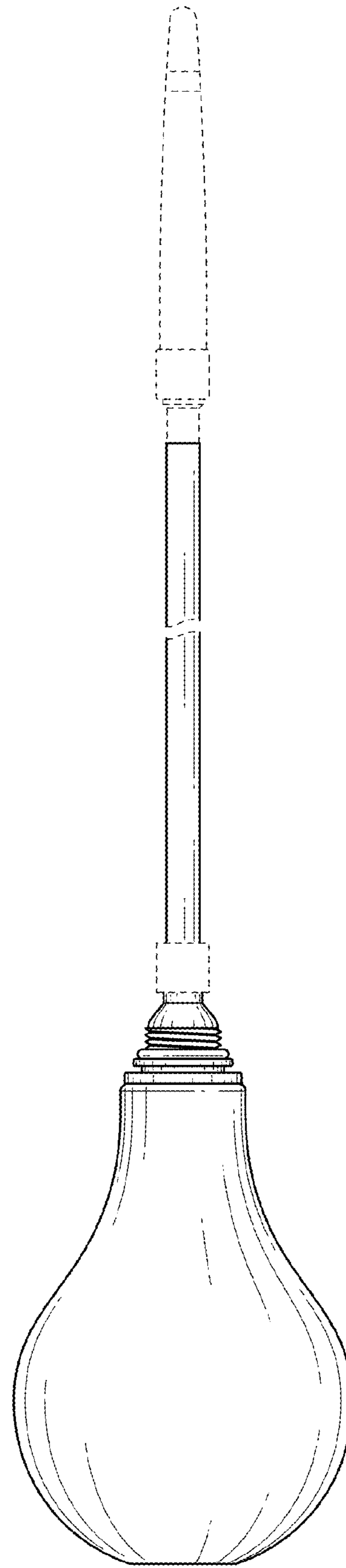


FIG. 5

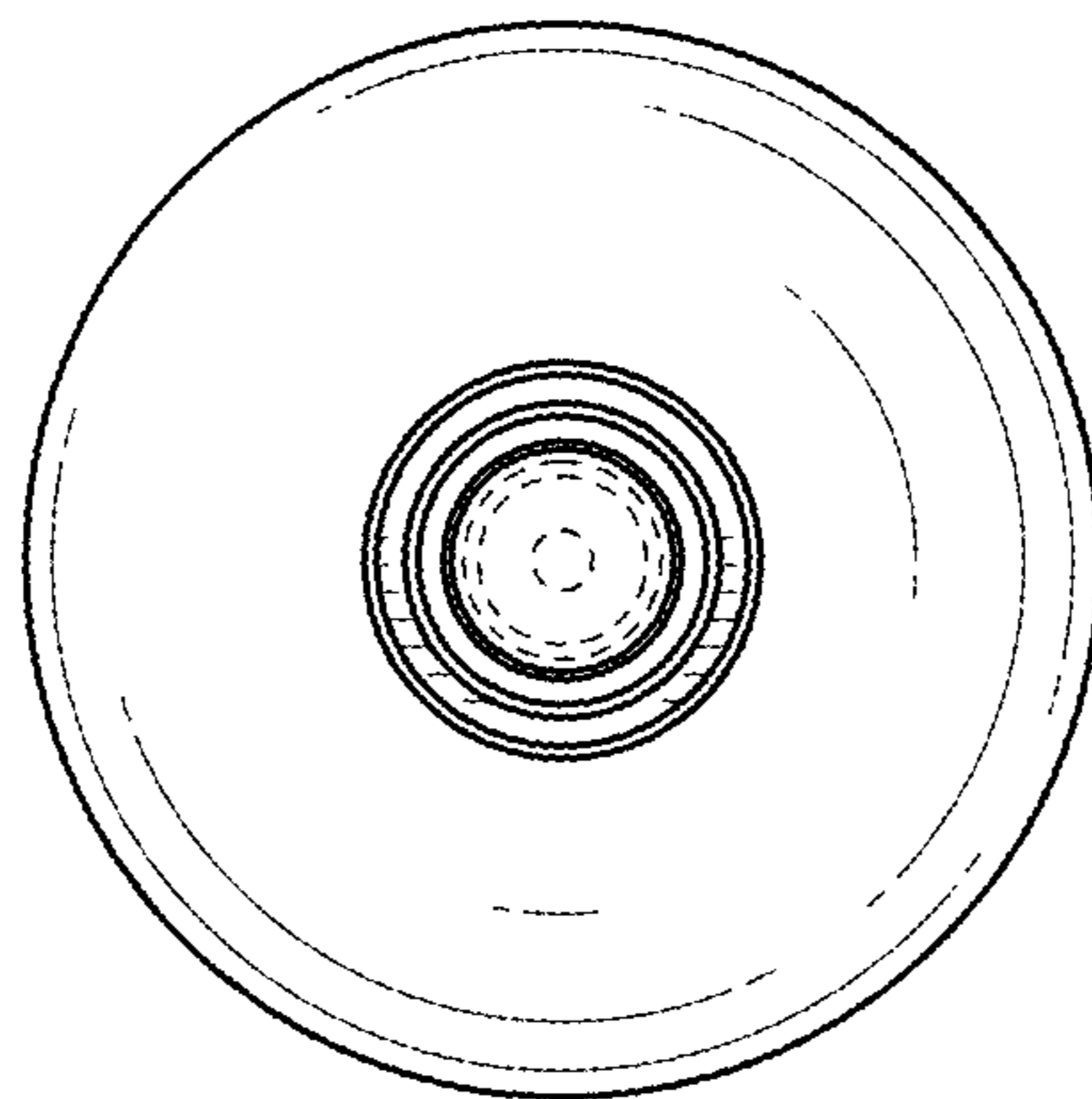


FIG. 6

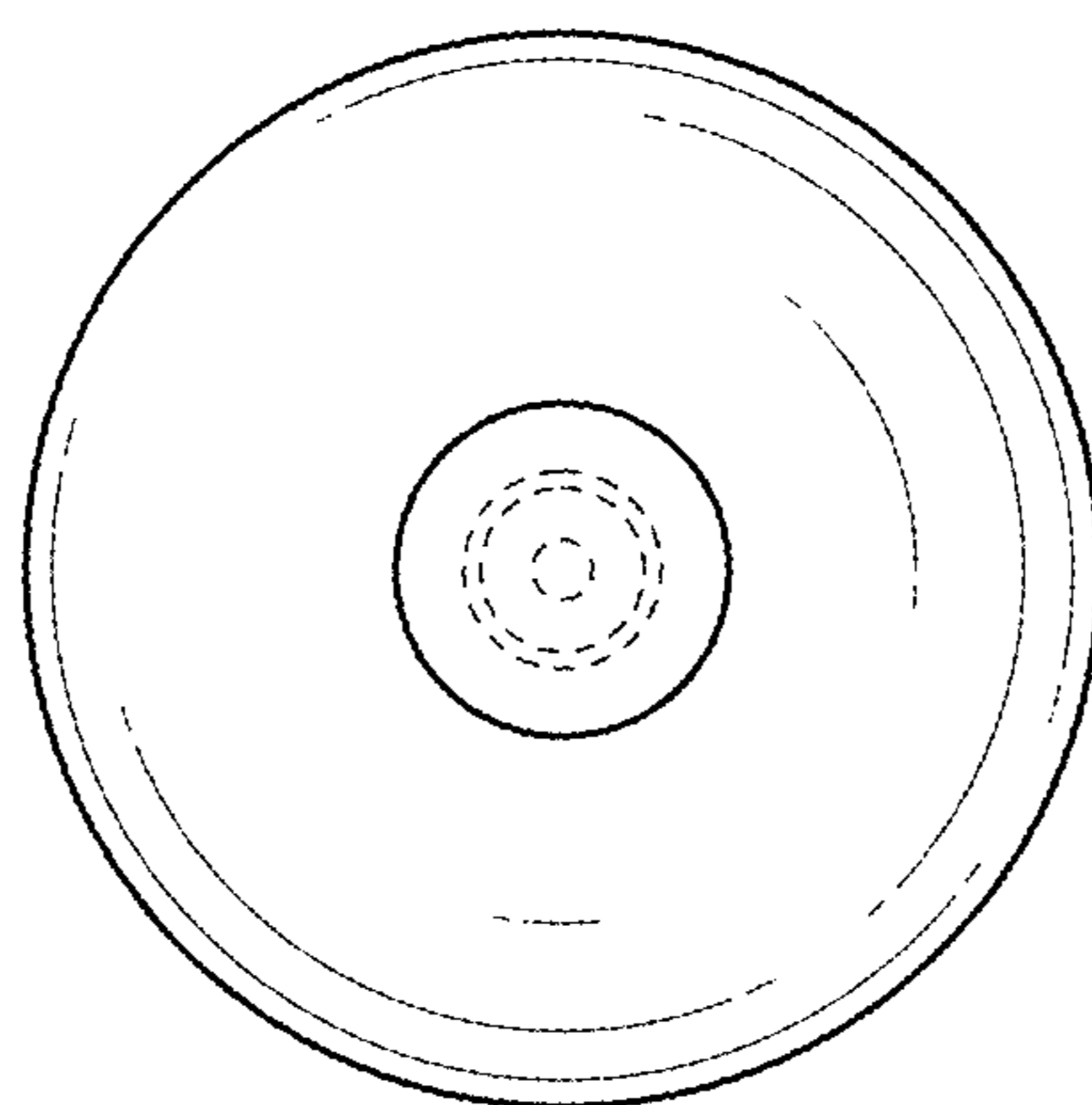


FIG. 7