



US00D903861S

(12) **United States Design Patent**
Otsu et al.

(10) **Patent No.:** **US D903,861 S**
(45) **Date of Patent:** **** Dec. 1, 2020**

(54) **EYE DROP CONTAINER**

(71) Applicant: **Rohto Pharmaceutical Co., Ltd.**,
Osaka (JP)

(72) Inventors: **Chiyoiko Otsu**, Tokyo (JP); **Takashi Hamada**, Osaka (JP)

(73) Assignee: **Rohto Pharmaceutical Co., Ltd.**,
Osaka (JP)

(**) Term: **15 Years**

(21) Appl. No.: **29/652,059**

(22) Filed: **Apr. 28, 2020**

(30) **Foreign Application Priority Data**

Nov. 8, 2019 (JP) 2019-024919

(51) **LOC (12) Cl.** **24-02**

(52) **U.S. Cl.**
USPC **D24/119; D24/120**

(58) **Field of Classification Search**
USPC D24/107, 108, 110, 110.4–110.6,
D24/111–115, 117–122, 123, 130, 133,
D24/141, 152, 186, 215, 116; D28/7, 8;
D7/667, 669, 700; D9/436, 439, 440,
D9/447, 723, 435, 444, 521, 529, 549,
D9/558, 574, 575, 686–694; D23/200;
D11/152–154

CPC A61F 9/0008; A61F 9/0026; A61F
2230/0091; A61F 2250/0004; B65D
47/18; B65D 83/30; B01L 3/0282; A61H
35/02; A61H 2201/0153; A61M 35/003;
A61M 35/00; A61M 2210/0612

See application file for complete search history.

(56) **References Cited**

U.S. PATENT DOCUMENTS

D58,090 S * 6/1921 Haworth-Booth D9/900
D123,204 S * 10/1940 Carey D9/566

D124,054 S * 12/1940 Ansell D9/526
D126,514 S * 4/1941 Payne D9/566
D214,132 S * 5/1969 Niemoller D27/152
D222,826 S * 1/1972 Newman D9/687
D250,573 S * 12/1978 Evangelista D9/526
D259,703 S * 6/1981 Llorente D9/516
D260,483 S * 9/1981 Weiland D9/526
D278,032 S * 3/1985 de Mourgues D9/435
D328,865 S * 8/1992 Crawford D9/529

(Continued)

OTHER PUBLICATIONS

Rohto Z! Pro Eye Drops, [site visited Sep. 3, 2020]. Available from Internet. URL: <https://honeycolor.com/rohto-z-pro-eye-drops-12ml-for-regular-eyes> (Year: 2020).*

Primary Examiner — T Chase Nelson

Assistant Examiner — Kelly L Gross

(74) *Attorney, Agent, or Firm* — Kenja IP Law PC

(57) **CLAIM**

The ornamental design for an eye drop container, as shown and described.

DESCRIPTION

FIG. 1 is a front perspective view of an eye drop container showing our new design;
FIG. 2 is a front view thereof, the back view being an identical image thereof;
FIG. 3 is a top view thereof;
FIG. 4 is a bottom view thereof;
FIG. 5 is a right side view thereof, the left side view being an identical image thereof;
FIG. 6 is an enlarged sectional view taken along line 6-6 in FIG. 2 thereof; and,
FIG. 7 is a sectional view taken along line 7-7 in FIG. 3 thereof.

The broken lines illustrate portions of the eye drop container that form no part of the claimed design.

1 Claim, 7 Drawing Sheets

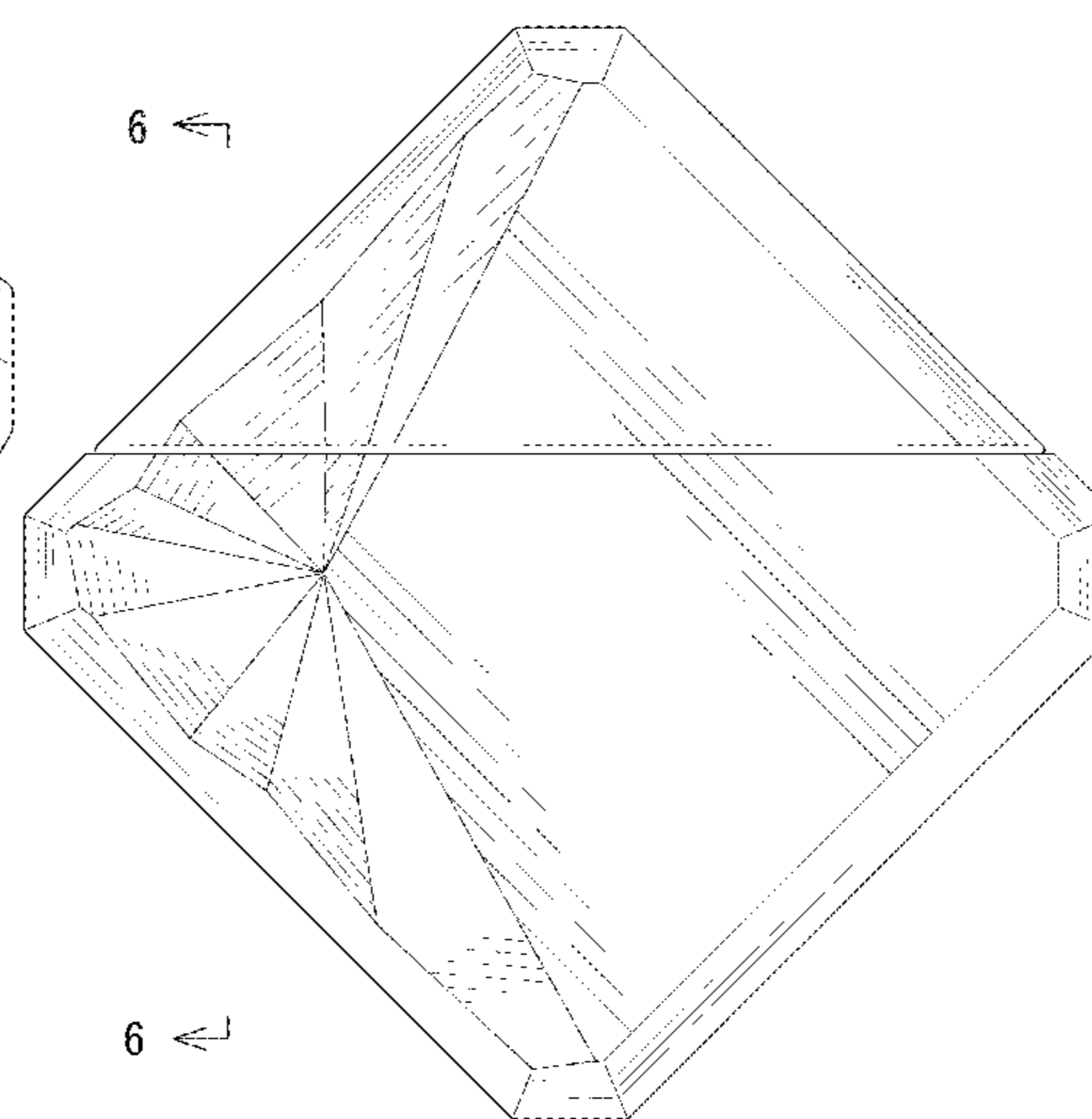
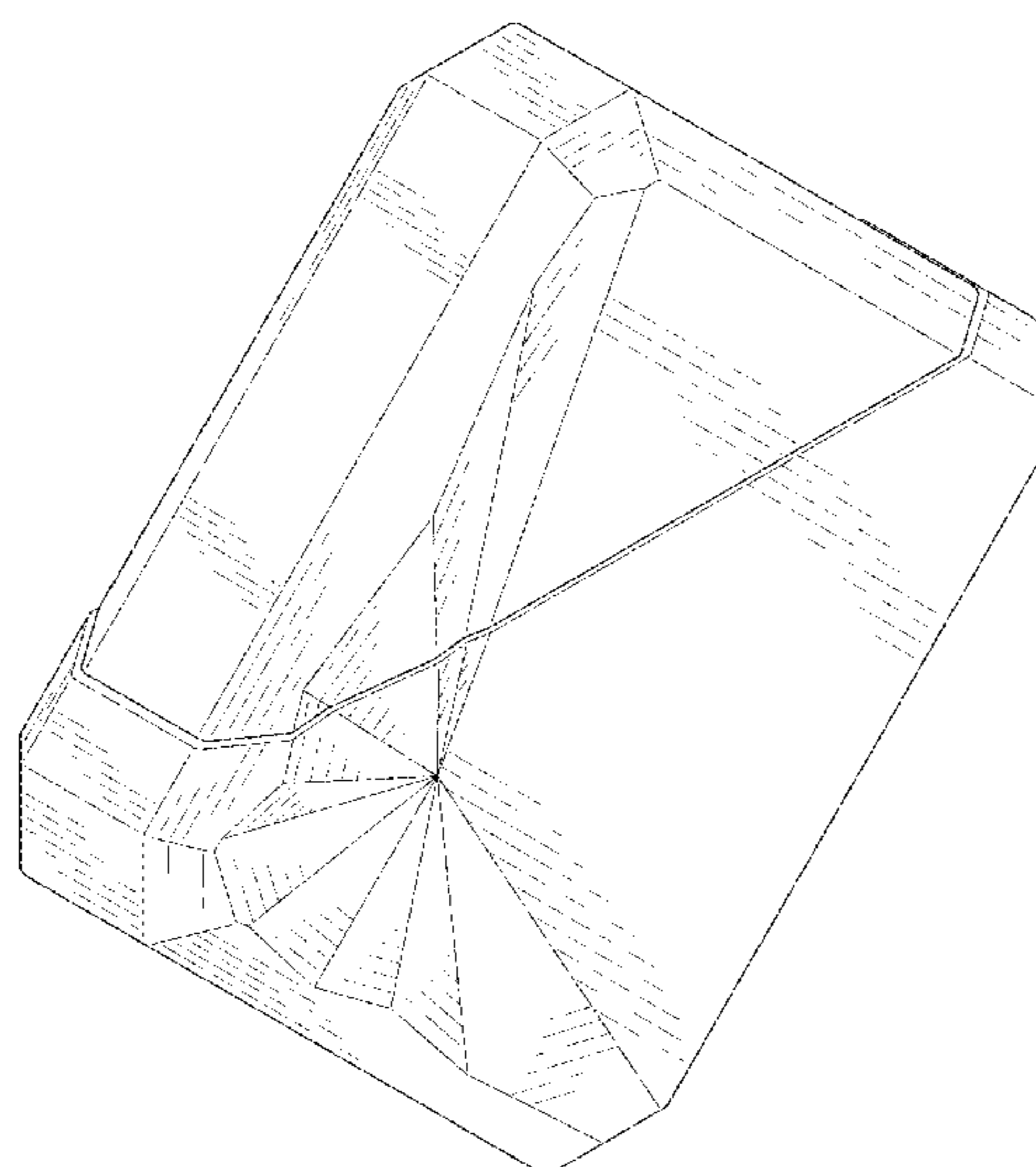


FIG. 1

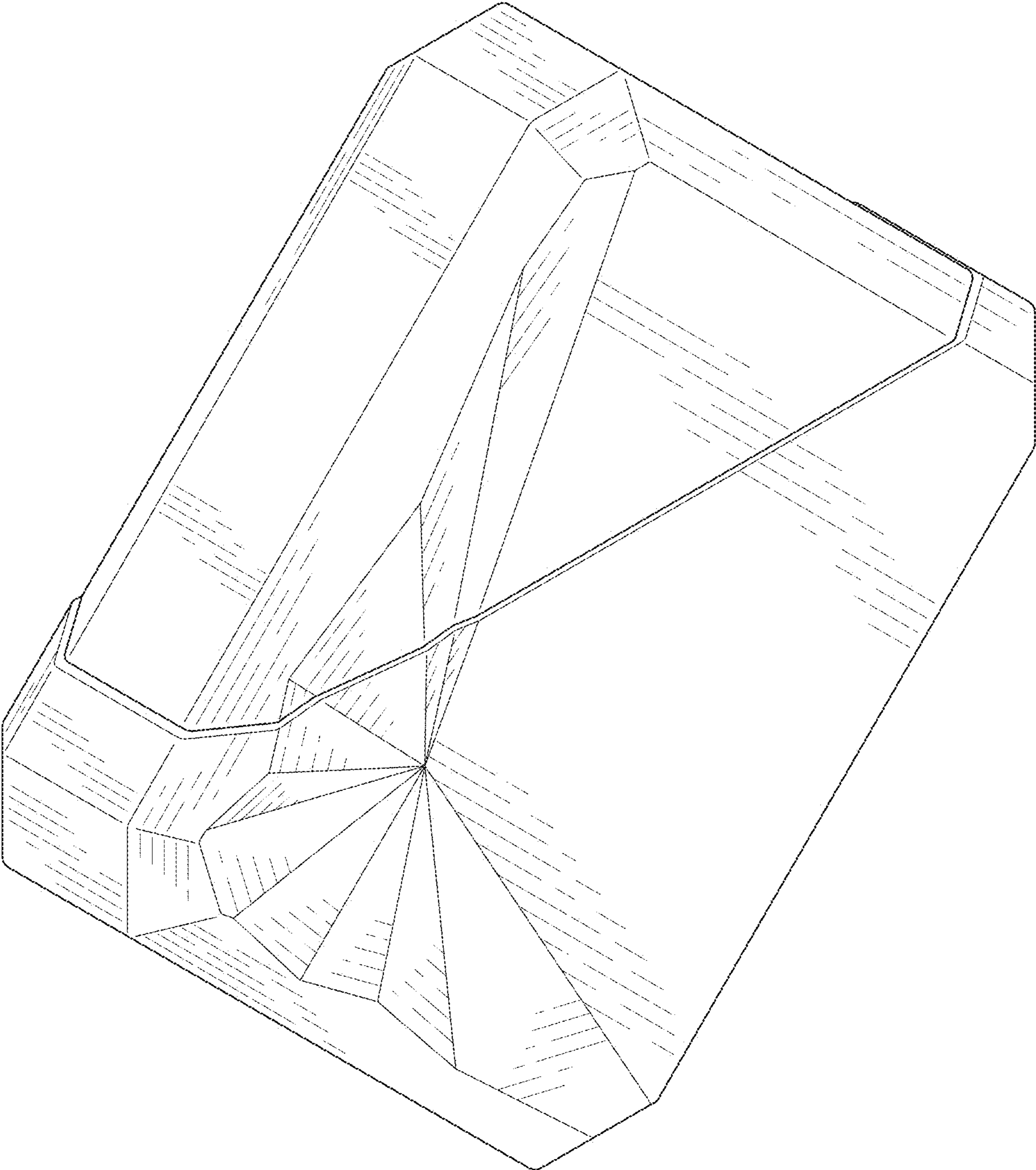


FIG. 2

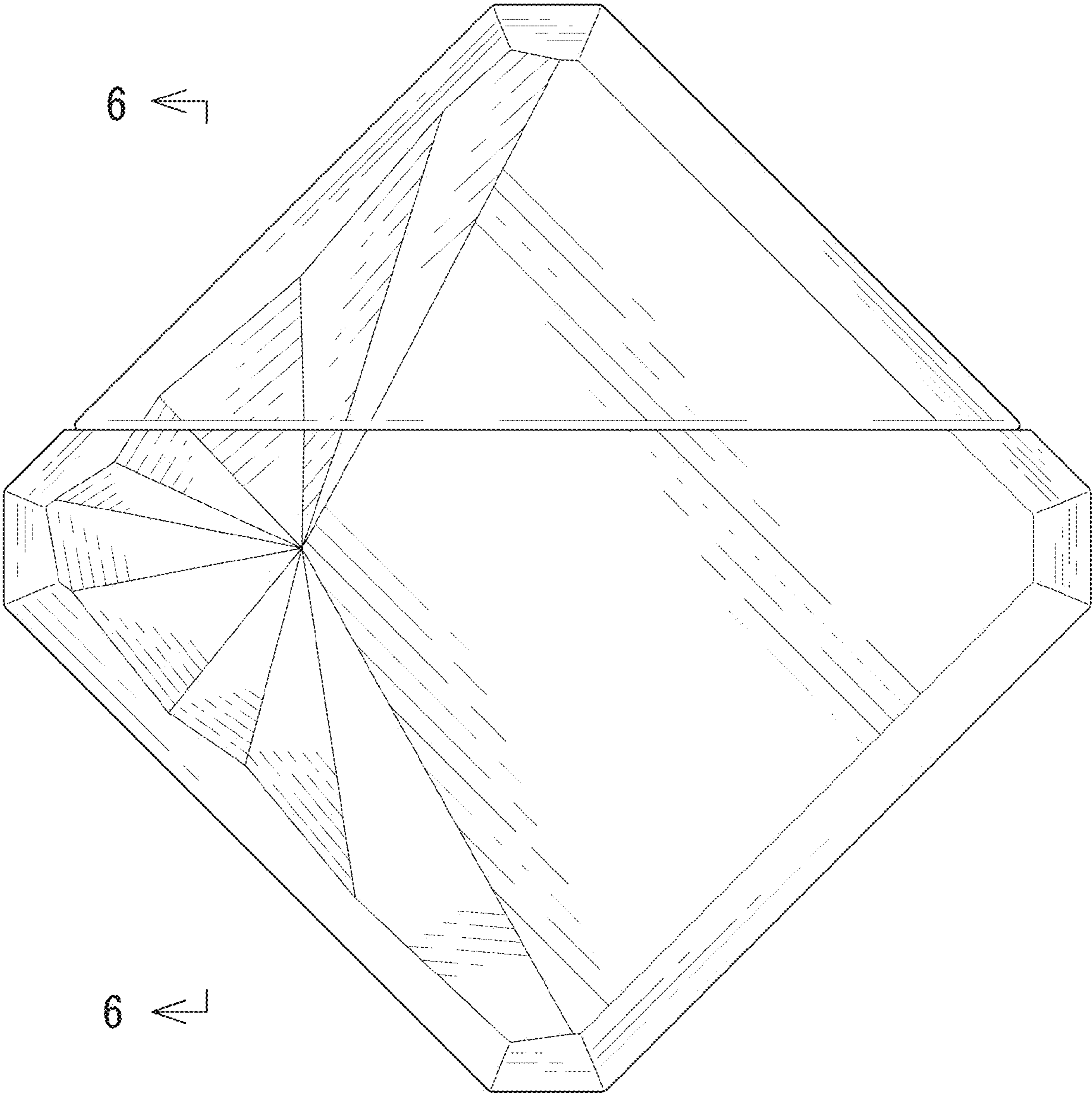


FIG. 3

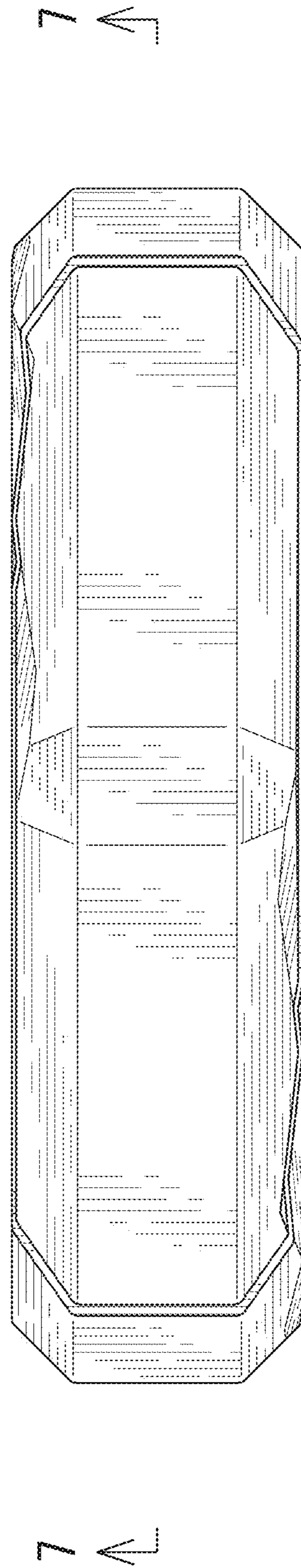


FIG. 4

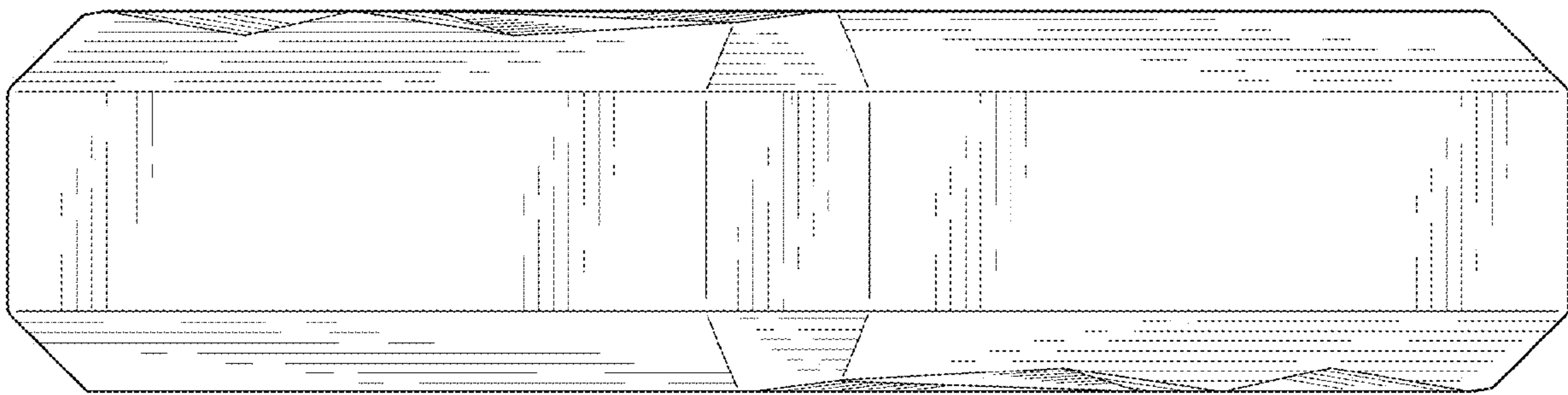


FIG. 5

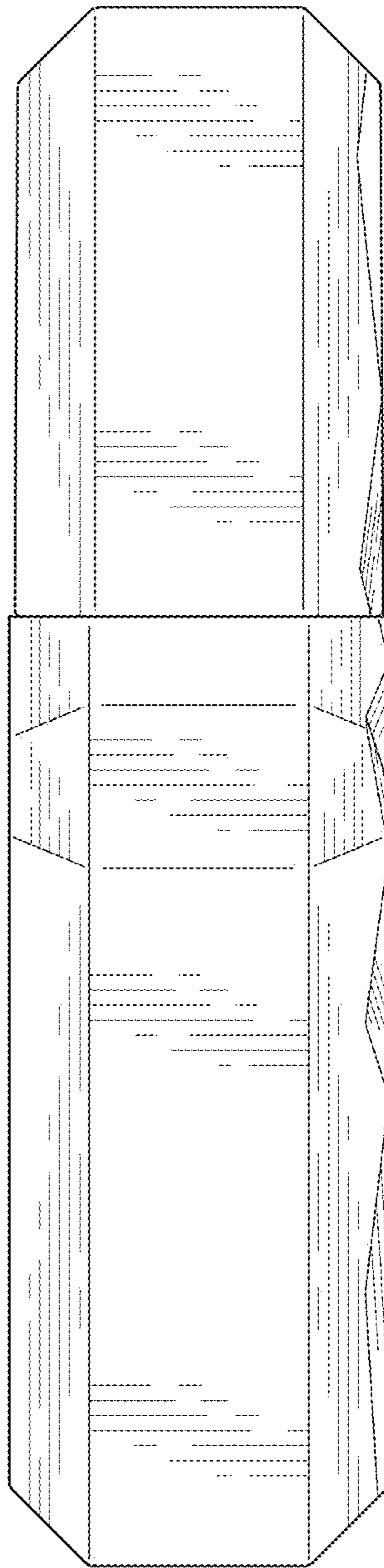


FIG. 6

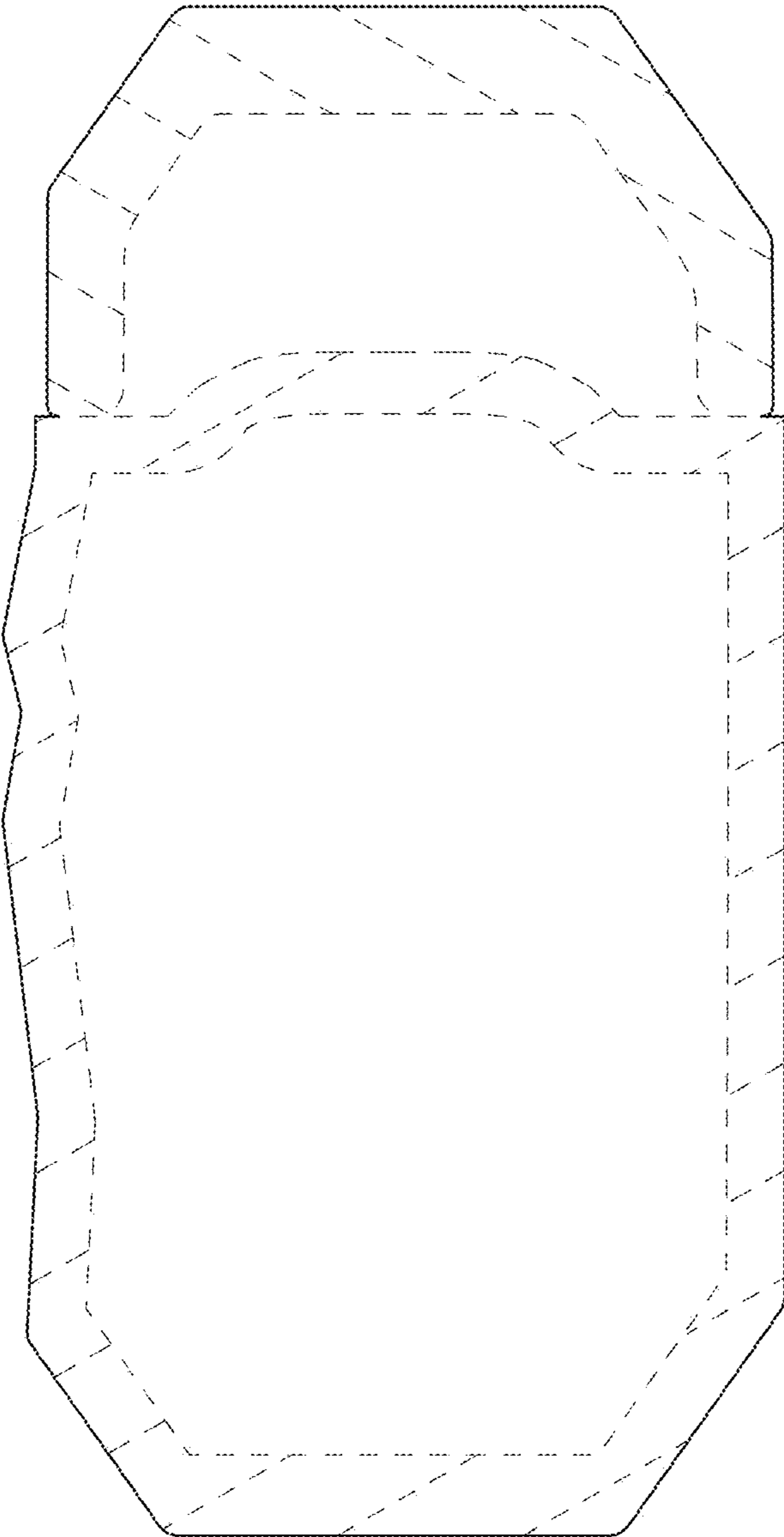


FIG. 7

