



US00D903860S

(12) **United States Design Patent**
Tashiro

(10) **Patent No.:** **US D903,860 S**
(45) **Date of Patent:** **** Dec. 1, 2020**

(54) **BAG FOR MEDICAL USE**

(71) Applicant: **SONY CORPORATION**, Tokyo (JP)

(72) Inventor: **Shinji Tashiro**, Tokyo (JP)

(73) Assignee: **SONY CORPORATION**, Tokyo (JP)

(**) Term: **15 Years**

(21) Appl. No.: **29/659,677**

(22) Filed: **Aug. 10, 2018**

(30) **Foreign Application Priority Data**

Feb. 28, 2018 (JP) D2018-004226

(51) **LOC (12) Cl.** **24-02**

(52) **U.S. Cl.**

USPC **D24/118; D24/127**

(58) **Field of Classification Search**

USPC D24/108, 110, 111, 112, 115, 118, 119,
D24/121, 122, 123, 127, 129, 130, 133,
D24/141, 152, 186, 215; D28/7, 8;
D9/436, 439, 440, 447, 702, 707, 709,
D9/710, 711, 712, 723; D7/669

CPC A61F 9/0008; B65D 47/18; B01L 3/0282

See application file for complete search history.

(56) **References Cited**

U.S. PATENT DOCUMENTS

2,849,321 A * 8/1958 Lhermitte B65D 77/40
426/85

3,074,612 A * 1/1963 Schneider B65D 75/5822
426/85

D200,806 S * 4/1965 Pava D9/707

3,221,871 A * 12/1965 Hidding G01K 1/083
206/306

3,374,939 A * 3/1968 Mcmenimen A61F 5/44
604/350

3,381,309 A * 5/1968 Cohen A42B 1/006
2/207

D220,555 S * 4/1971 Reiterman D24/130

3,926,311 A * 12/1975 Laske B65D 75/30
206/439

4,095,589 A * 6/1978 Manschot A61B 10/007
600/575

4,097,020 A * 6/1978 Sussman B05B 1/30
239/530

4,351,616 A * 9/1982 Farnstrom G01K 1/083
374/158

4,460,359 A * 7/1984 Fenton A61F 5/4407
24/30.5 P

D283,442 S * 4/1986 Richmond D24/129

D296,592 S * 7/1988 Wellenstam D24/129

D319,698 S * 9/1991 Arioka D24/117

D336,034 S * 6/1993 Rebilas D24/118

D356,028 S * 3/1995 Weder D9/712

D362,618 S * 9/1995 Paling D9/707

5,489,022 A * 2/1996 Baker A61F 2/0095
206/439

5,941,642 A * 8/1999 Darmstadter B65D 77/283
383/104

6,076,968 A * 6/2000 Smith B65D 75/008
383/202

6,293,394 B1 * 9/2001 Marbler B65D 77/283
206/218

6,375,001 B1 * 4/2002 Beach B65D 77/283
206/217

6,581,764 B1 * 6/2003 Hillebrand B65D 75/42
206/225

D490,302 S * 5/2004 Nakatani D9/711

D547,675 S * 7/2007 Davi D9/712

D569,076 S * 5/2008 Lebrand D1/105

D576,274 S * 9/2008 Engstrom D24/118

D578,015 S * 10/2008 Friedland D9/707

D580,780 S * 11/2008 Kelly D9/707

D582,790 S * 12/2008 Friebe D9/707

D583,256 S * 12/2008 Rothstein D9/709

D595,842 S * 7/2009 Haga D24/117

D610,468 S * 2/2010 Rothstein D9/709

D623,959 S * 9/2010 Frohwein D9/414

D628,904 S * 12/2010 Josephs D9/707

D660,718 S * 5/2012 McDermott D9/416

D662,202 S * 6/2012 O'Donnell D24/118

D682,627 S * 5/2013 Cavanagh D7/601

D684,687 S * 6/2013 Christensen D24/118

D689,371 S * 9/2013 Ross D9/606

D752,739 S * 3/2016 Anderson D24/115

D764,312 S * 8/2016 Nishijima D9/710

D784,520 S * 4/2017 Nordquist D24/118

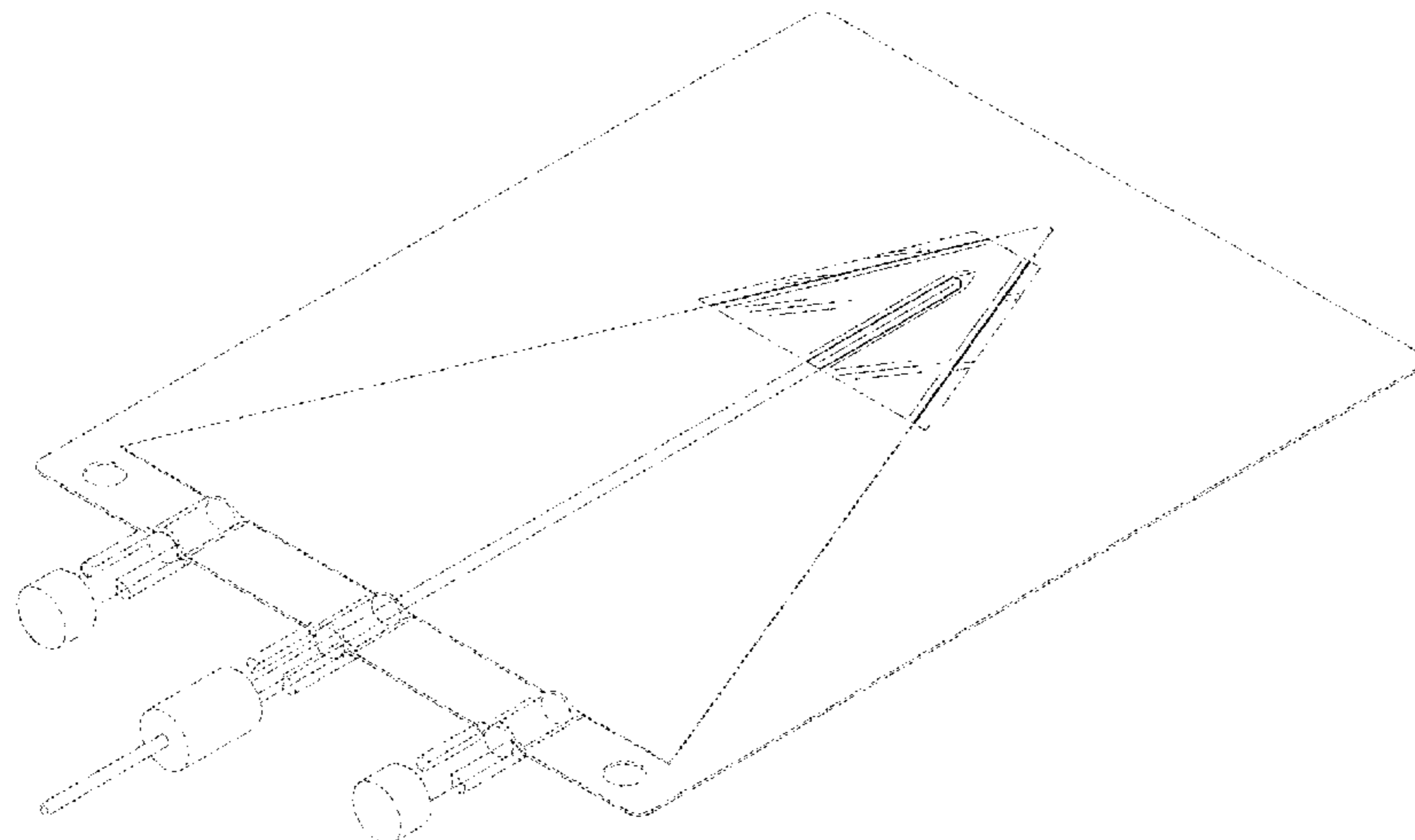
D784,521 S * 4/2017 Nordquist D24/118

D785,165 S * 4/2017 Nordquist D24/118

D803,388 S * 11/2017 Miller D24/108

D817,484 S * 5/2018 Lafond D24/118

D827,129 S * 8/2018 Lafond D24/118



OTHER PUBLICATIONS

Artesian bottled water debuts reusable straw; publication date Apr. 3, 2013, [online][site visited Jan. 7, 2020] URL: <https://www.packagingstrategies.com/articles/86191-artesian-bottled-water-debuts-reusable-straw> (Year: 2013).*

A Portable Pizza Necklace will never, ever let you down, publication date Sep. 20, 2015, [online][site visited Jan. 28, 2020] URL: https://www.huffpost.com/entry/portable-pizza-pocket-necklace_n_560bd5f1e4b0af3706de9a28 (Year: 2015).*

Moribashi (Chopsticks) Magnolia Stainless Steel, publication date Dec. 24, 2016, [online][site visited Jan. 9, 2020] URL: <https://www.aframestokyo.com/moribashi-chopsticks-magnolia-amp-stainless-steel-14140.html> (Year: 2016).*

Moribashi Ebony 180MM Stainless Steel Chopsticks, publication date 24 Dec. 2016, [online] [site visited Jan. 9, 2020] URL: <https://www.aframestokyo.com/moribashi-ebony-180mm-stainless-steel-chopsticks-for-japanese-c180.html> (Year: 2016).*

Plastic Bags for Liquids, publication date Apr. 22, 2010, [online][site visited Jan. 14, 2020] URL: <https://www.vagabondjourney.com/plastic-bags-for-liquids/> (Year: 2010).*

* cited by examiner

Primary Examiner — Susan E Krakower

Assistant Examiner — L. A. Grabenstetter

(74) *Attorney, Agent, or Firm* — Michael Best and Friedrich LLP

(57) CLAIM

The ornamental design for a bag for medical use, as shown and described.

DESCRIPTION

FIG. 1 is a perspective view of a first embodiment of a bag for medical use showing my new design;

FIG. 2 is a front elevational view thereof; a rear elevational view being a mirror image;

FIG. 3 is a right side elevational view thereof, a left side elevational view thereof being a mirror image; and

FIG. 4 is a bottom plan view thereof.

FIG. 5 is a cross sectional view thereof cut along the line 5-5 of FIG. 2;

FIG. 6 is an enlarged right side elevational view thereof taken between the lines 6-6 of FIG. 3; and

FIG. 7 is a partially enlarged cross sectional view thereof taken between the lines 7-7 of FIG. 5.

FIG. 8 is a perspective view of a second embodiment of a bag for medical use showing my new design;

FIG. 9 is a front elevational view thereof; a rear elevational view being a mirror image;

FIG. 10 is a right side elevational view thereof, a left side elevational view thereof being a mirror image; and

FIG. 11 is a bottom plan view thereof.

FIG. 12 is a cross sectional view thereof cut along the line 12-12 of FIG. 9;

FIG. 13 is an enlarged right side elevational view thereof taken between the lines 13-13 of FIG. 10; and

FIG. 14 is a partially enlarged cross sectional view thereof taken between the lines 14-14 of FIG. 12.

FIG. 15 is a perspective view of a third embodiment of a bag for medical use showing my new design;

FIG. 16 is a front elevational view thereof; a rear elevational view being a mirror image;

FIG. 17 is a right side elevational view thereof, a left side elevational view thereof being a mirror image; and

FIG. 18 is a bottom plan view thereof.

FIG. 19 is a cross sectional view thereof cut along the line 19-19 of FIG. 16;

FIG. 20 is an enlarged right side elevational view thereof taken between the lines 20-20 of FIG. 17; and

FIG. 21 is a partially enlarged cross sectional view thereof taken between the lines 21-21 of FIG. 19.

FIG. 22 is a perspective view of a fourth embodiment of a bag for medical use showing my new design;

FIG. 23 is a front elevational view thereof; a rear elevational view being a mirror image;

FIG. 24 is a right side elevational view thereof, a left side elevational view thereof being a mirror image; and

FIG. 25 is a bottom plan view thereof.

FIG. 26 is a cross sectional view thereof cut along the line 26-26 of FIG. 23;

FIG. 27 is an enlarged right side elevational view thereof taken between the lines 27-27 of FIG. 24; and

FIG. 28 is a partially enlarged cross sectional view thereof taken between the lines 28-28 of FIG. 26.

FIG. 29 is a perspective view of a fifth embodiment of a bag for medical use showing my new design;

FIG. 30 is a front elevational view thereof; a rear elevational view being a mirror image;

FIG. 31 is a right side elevational view thereof, a left side elevational view thereof being a mirror image; and

FIG. 32 is a bottom plan view thereof.

FIG. 33 is a cross sectional view thereof cut along the line 33-33 of FIG. 30;

FIG. 34 is an enlarged right side elevational view thereof taken between the lines 34-34 of FIG. 31; and

FIG. 35 is a partially enlarged cross sectional view thereof taken between the lines 35-35 of FIG. 33.

FIG. 36 is a perspective view of a sixth embodiment of a bag for medical use showing my new design;

FIG. 37 is a front elevational view thereof; a rear elevational view being a mirror image;

FIG. 38 is a right side elevational view thereof, a left side elevational view thereof being a mirror image; and

FIG. 39 is a bottom plan view thereof.

FIG. 40 is a cross sectional view thereof cut along the line 40-40 of FIG. 37;

FIG. 41 is an enlarged right side elevational view thereof taken between the lines 41-41 of FIG. 38; and,

FIG. 42 is a partially enlarged cross sectional view thereof taken between the lines 42-42 of FIG. 40.

The dash-dash broken lines illustrate portions of the bag for medical use that form no part of the claimed design. Dot-dash broken lines define the boundaries of the claim, and form no part of the claimed design.

1 Claim, 30 Drawing Sheets

FIG.1

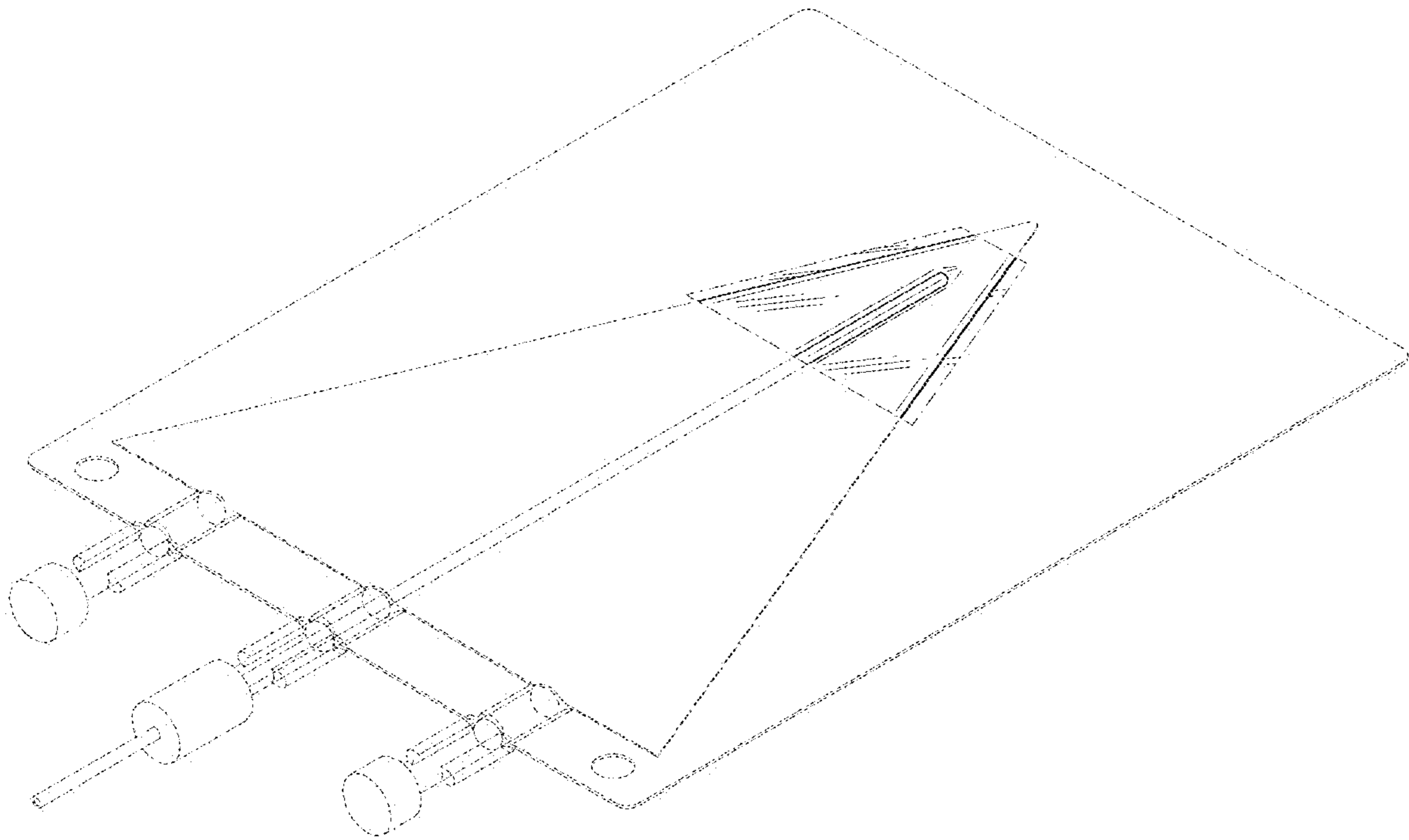


FIG.2

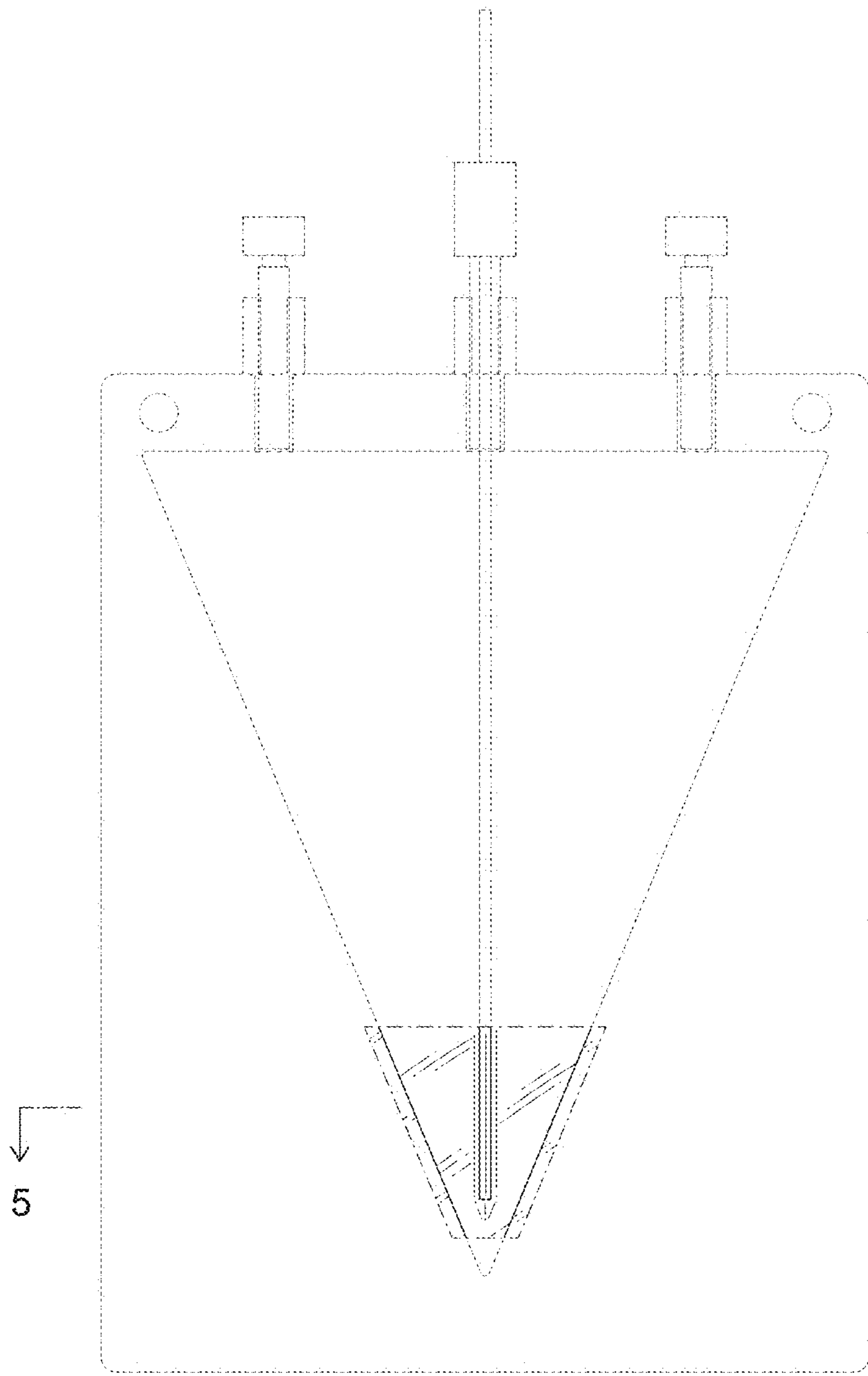


FIG.3

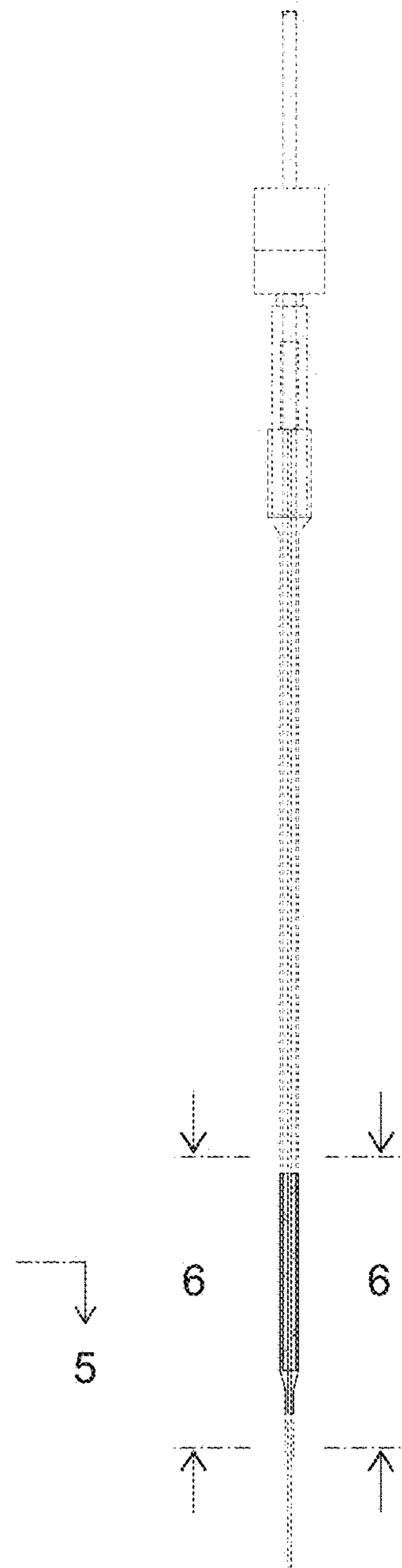


FIG.4

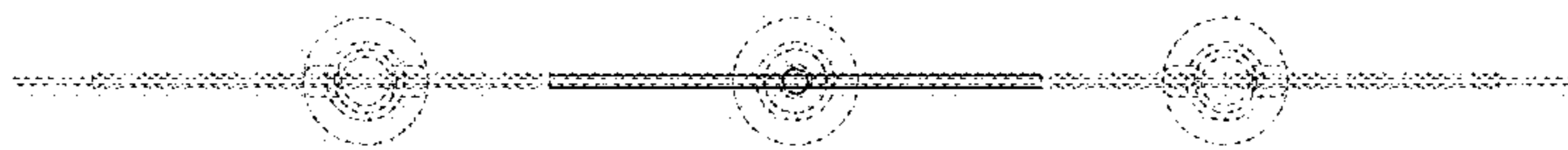


FIG.5

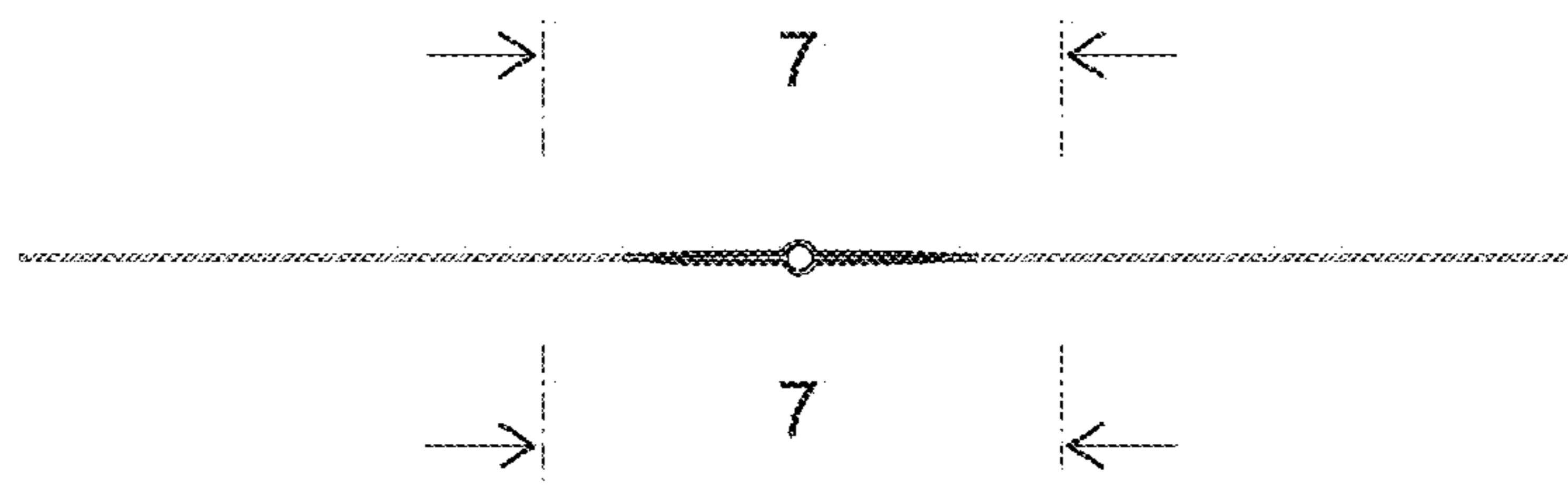


FIG.6



FIG.7

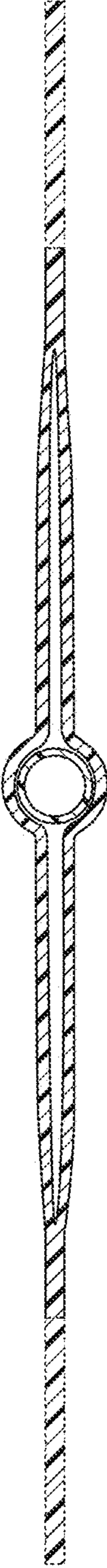


FIG.8

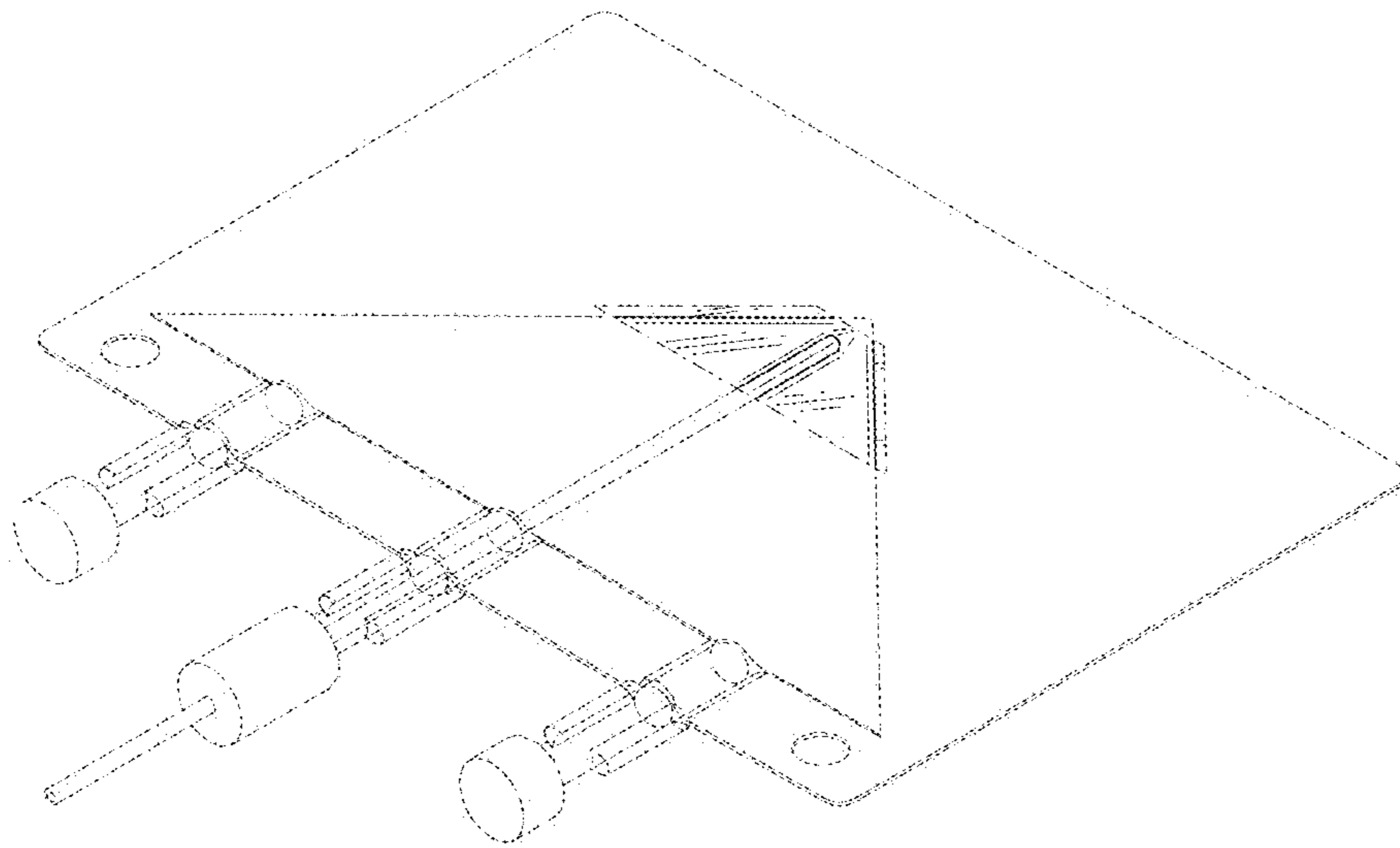


FIG.9

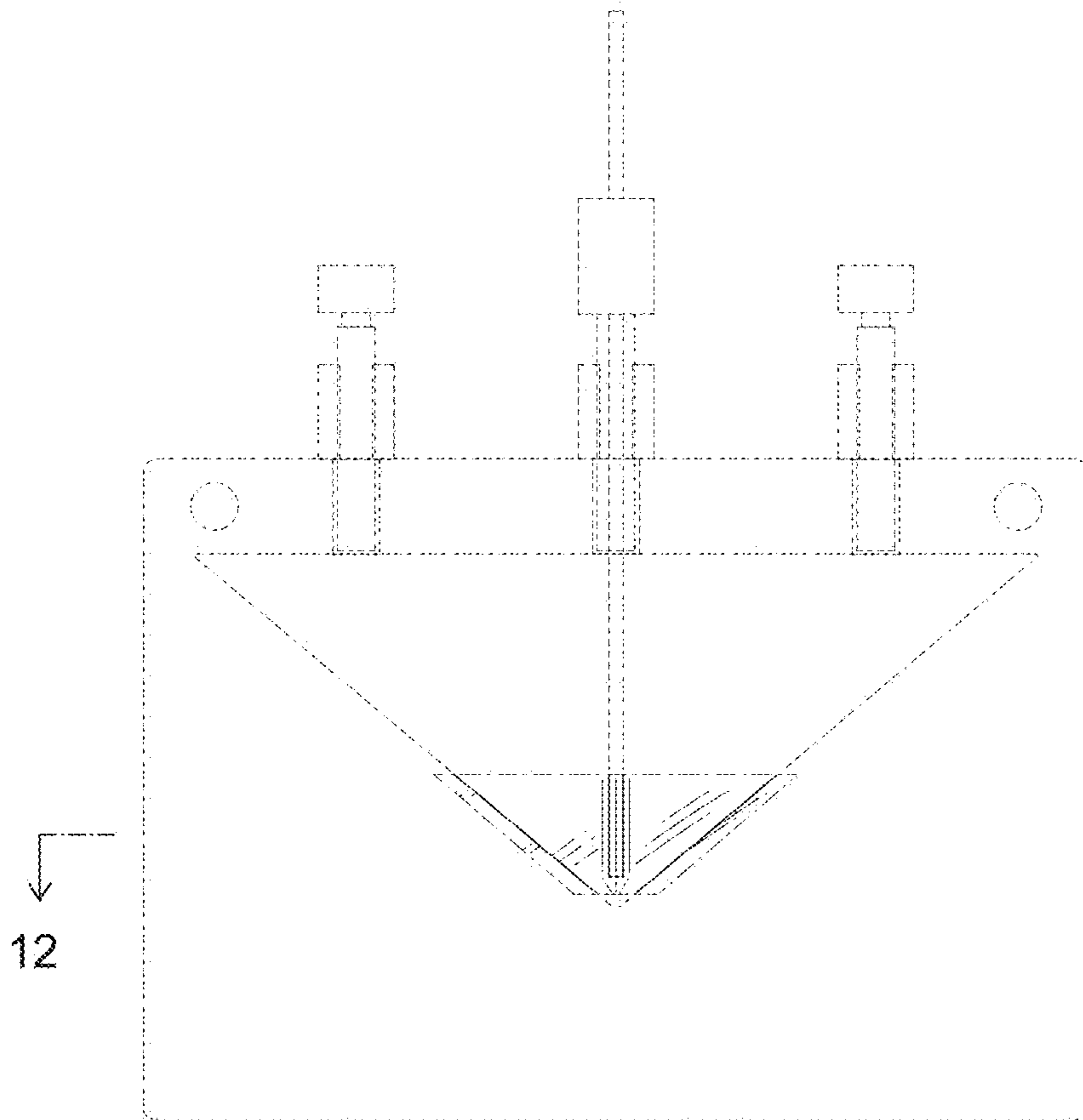


FIG.10

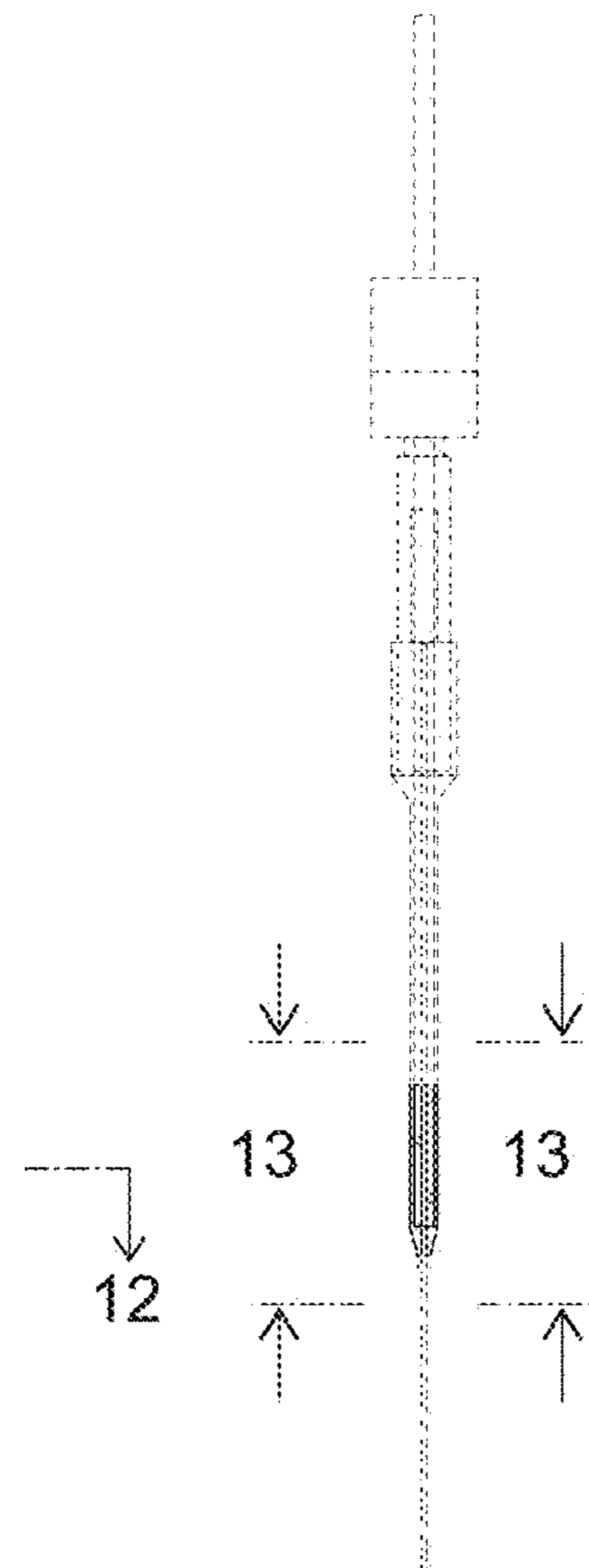


FIG.11

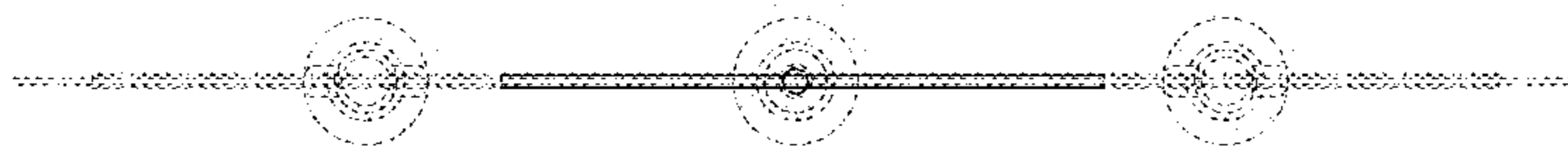


FIG.12

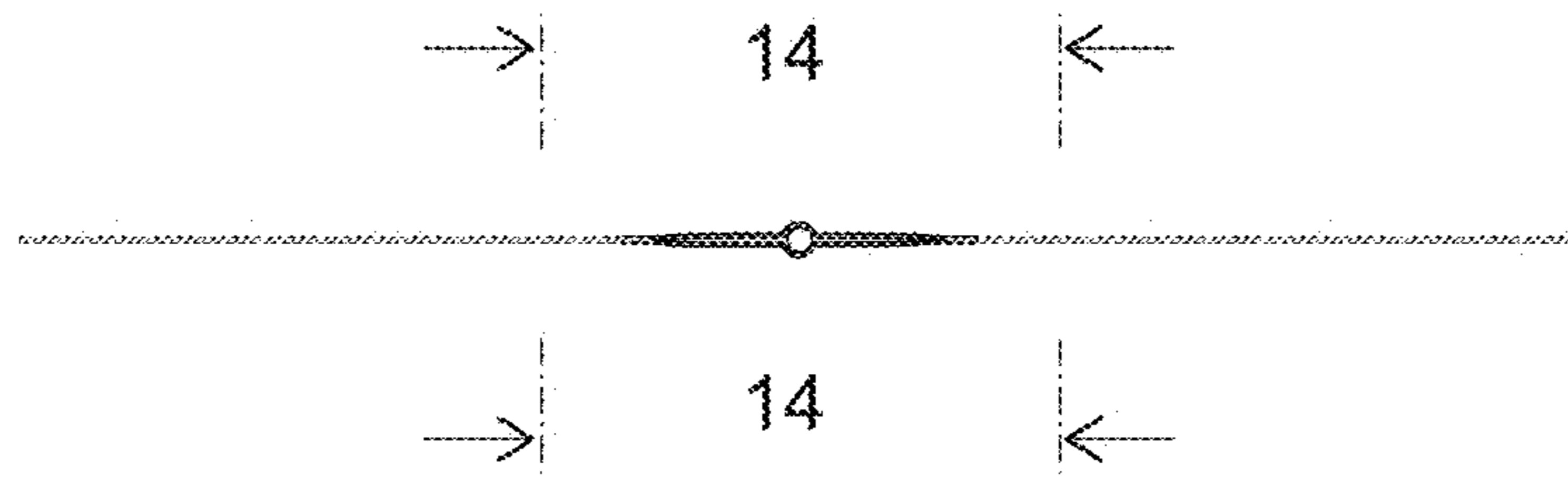


FIG.13

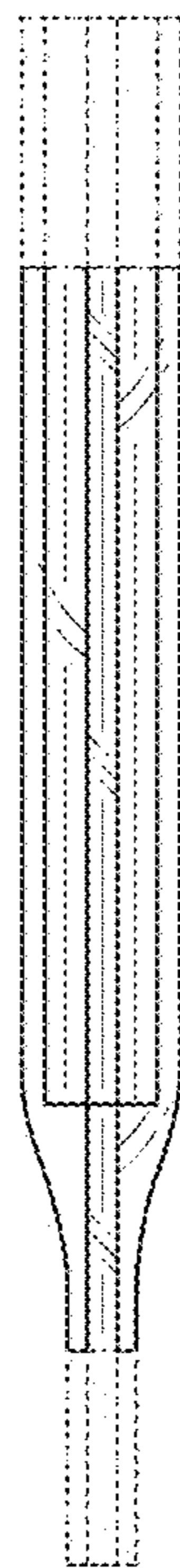


FIG.14

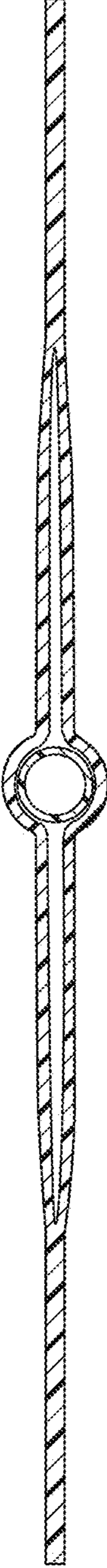


FIG.15

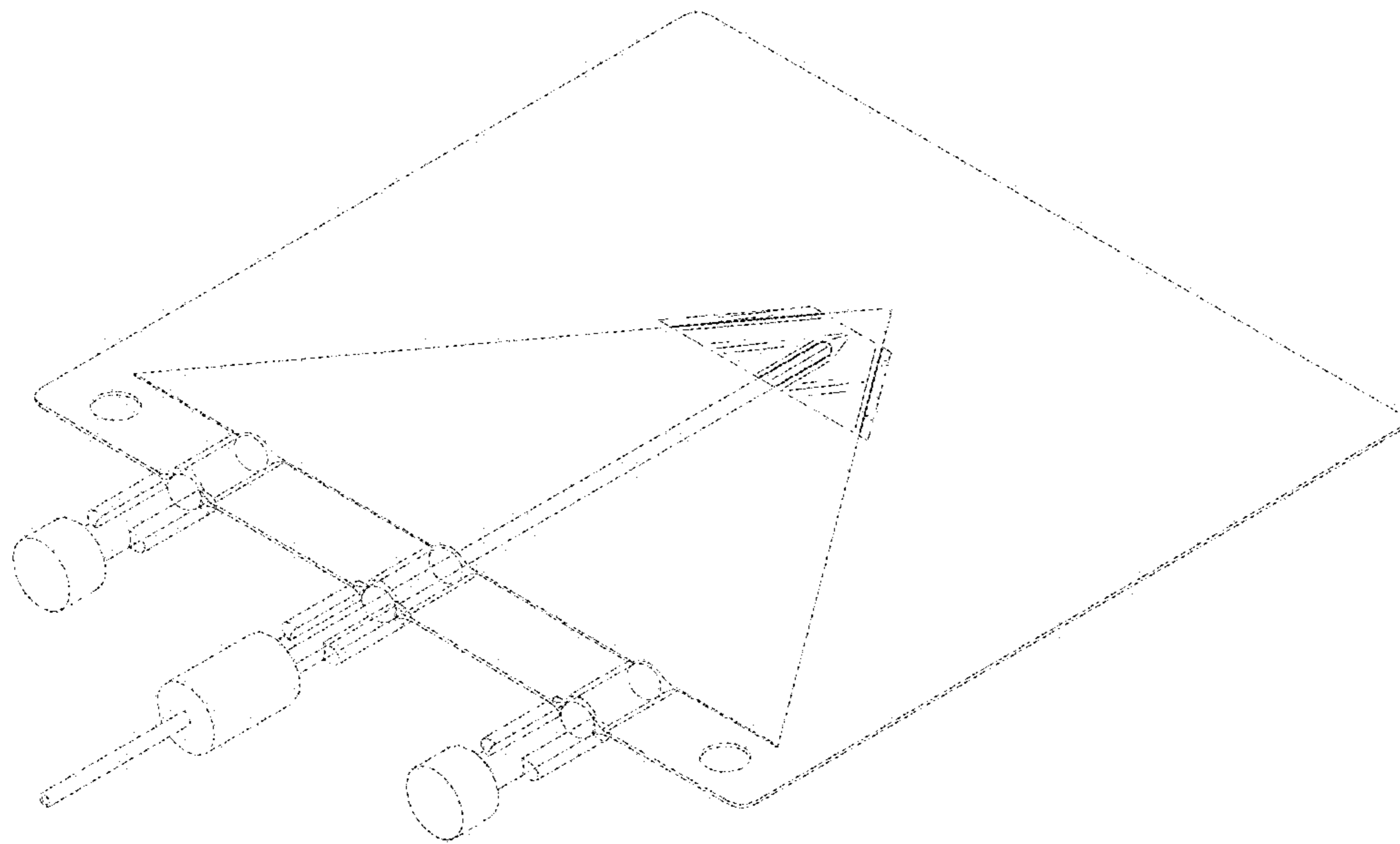


FIG.16

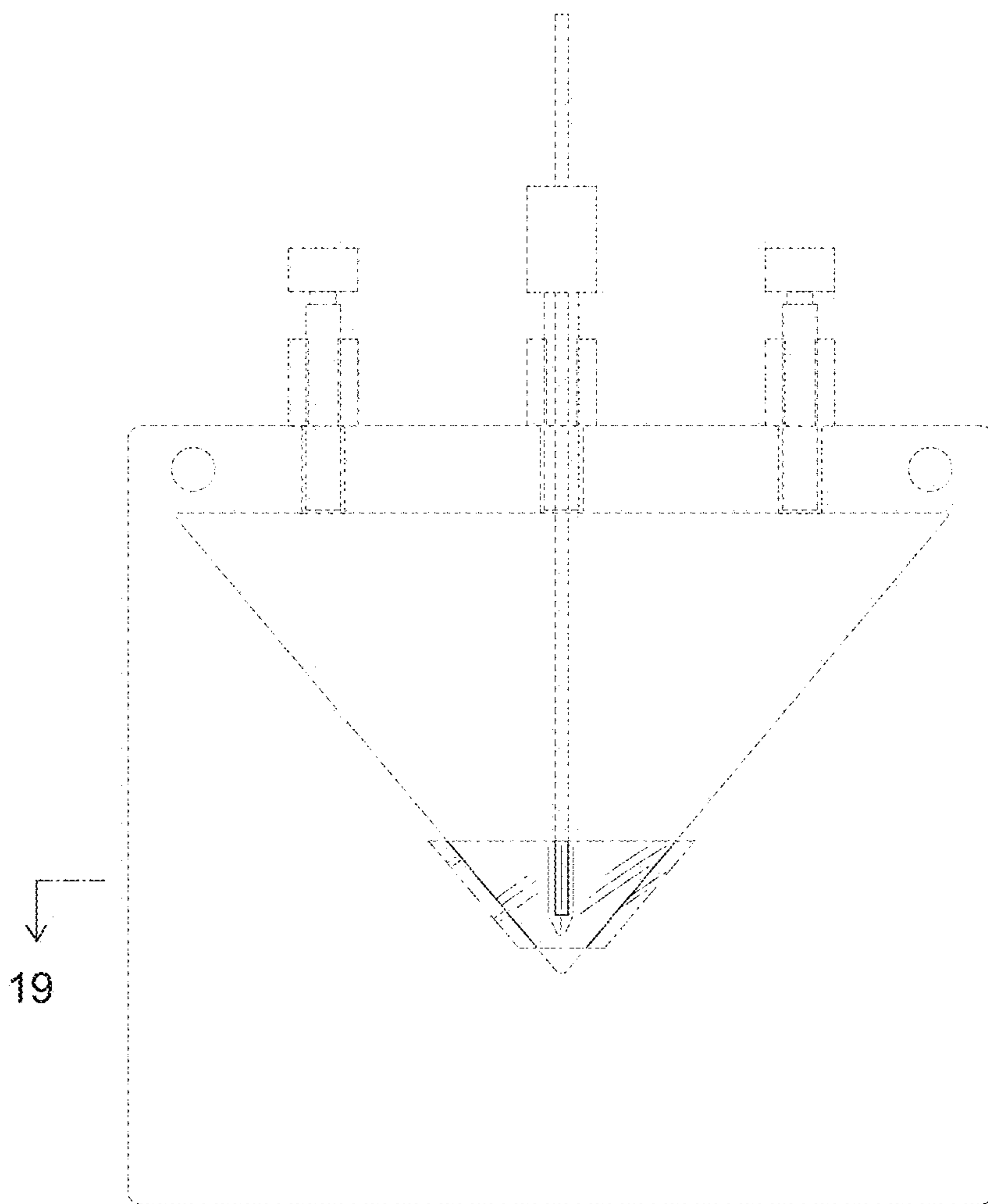


FIG.17

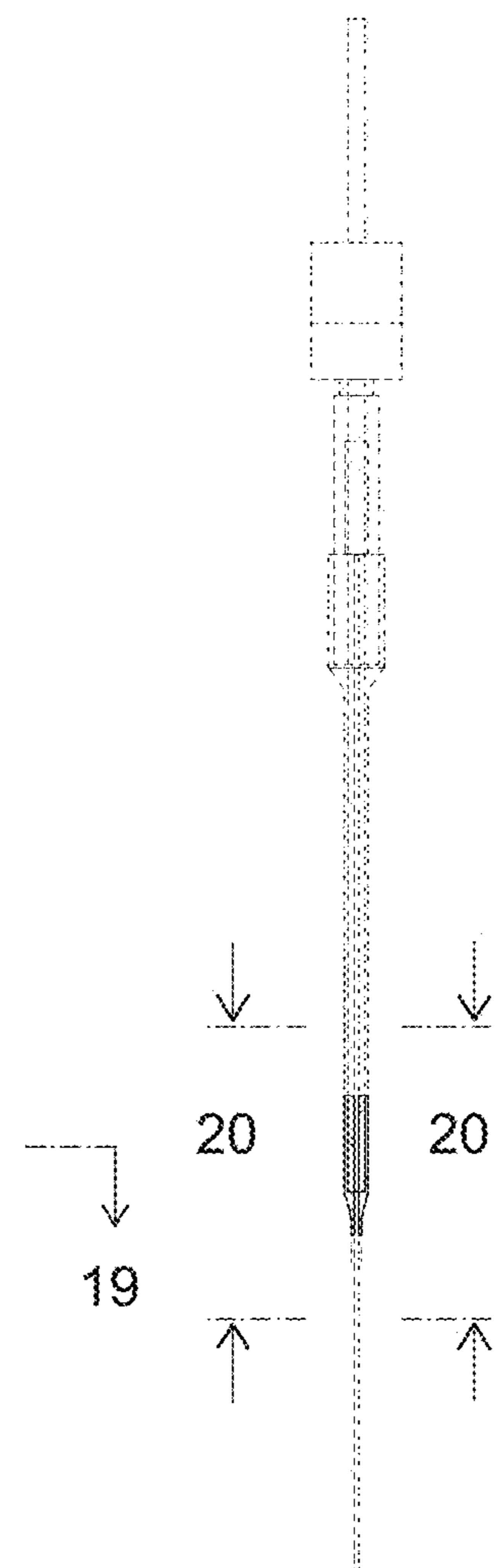


FIG.18

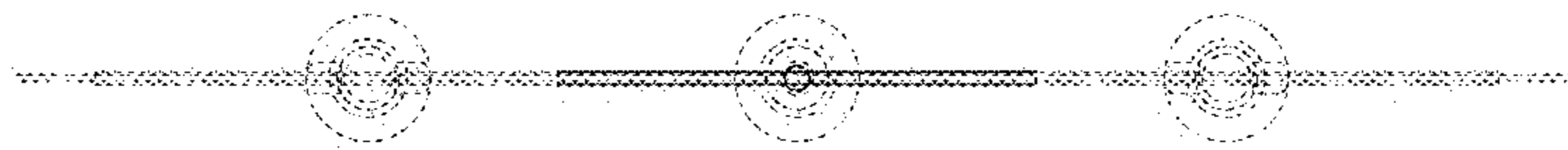


FIG.19

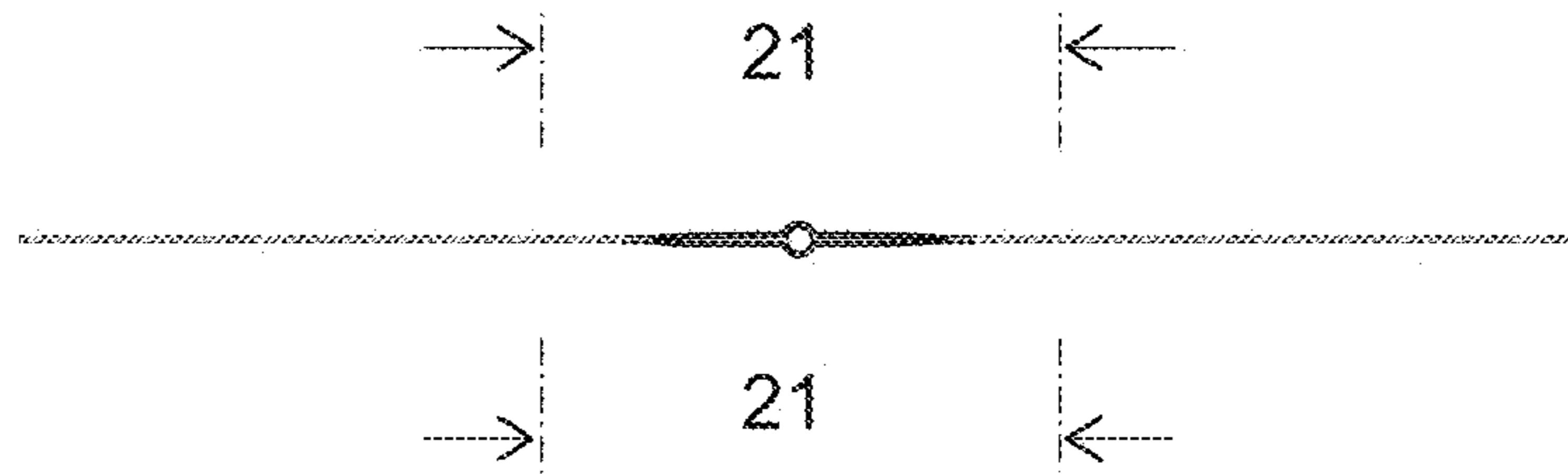


FIG.20



FIG.21

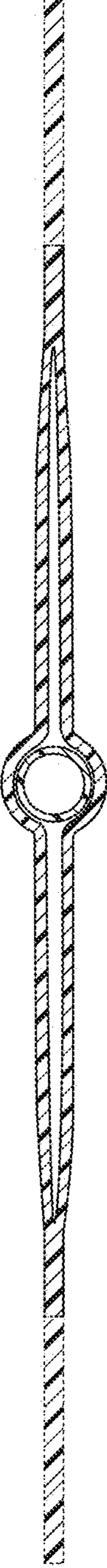


FIG.22

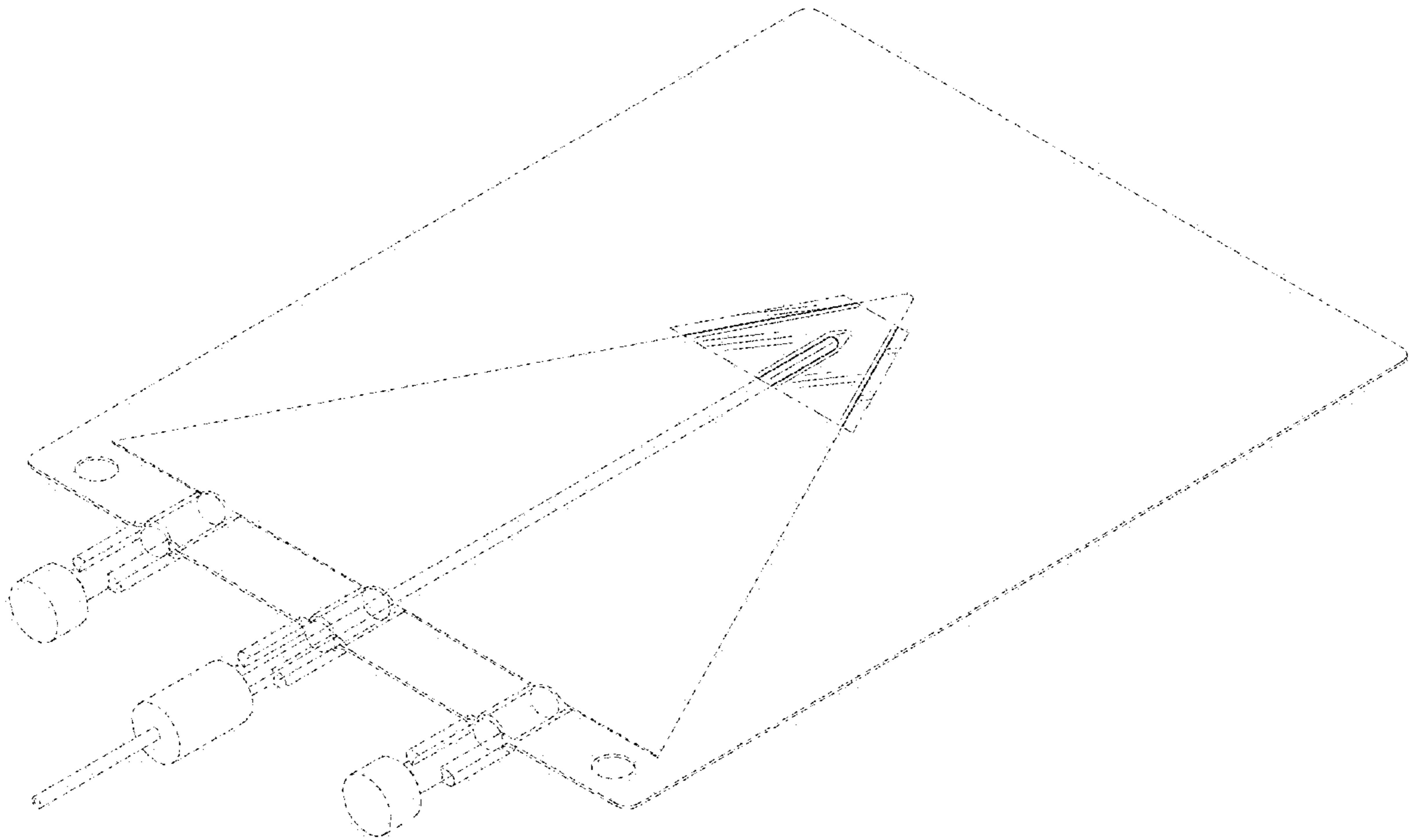


FIG.23

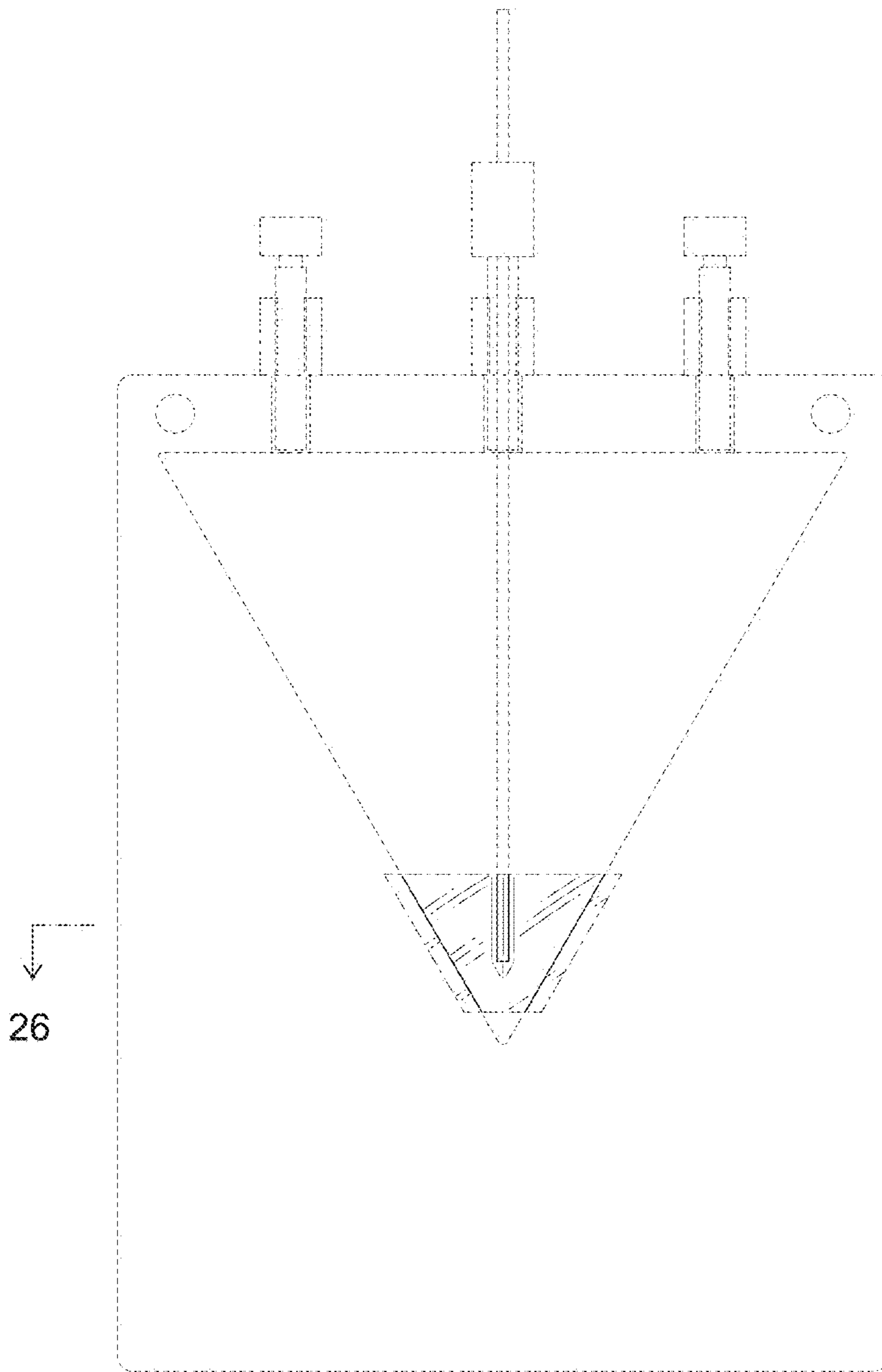


FIG.24

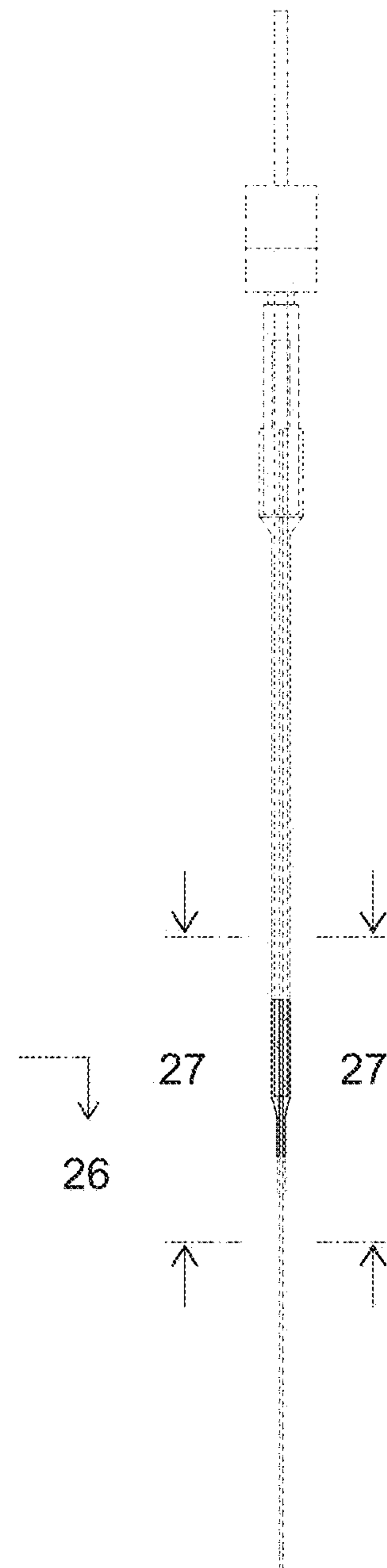


FIG.25

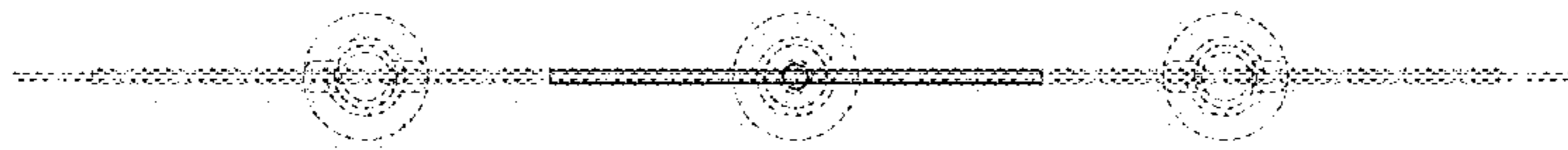


FIG.26

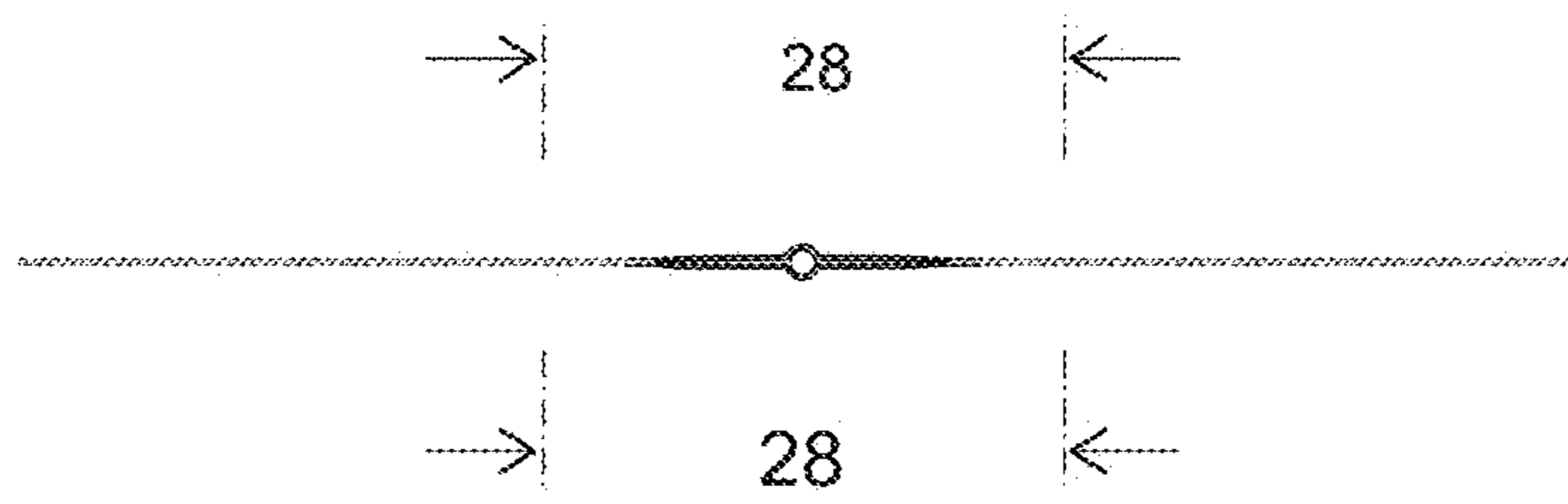


FIG.27



FIG. 28

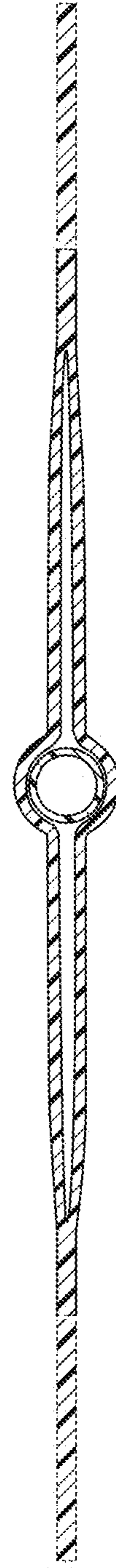


FIG.29

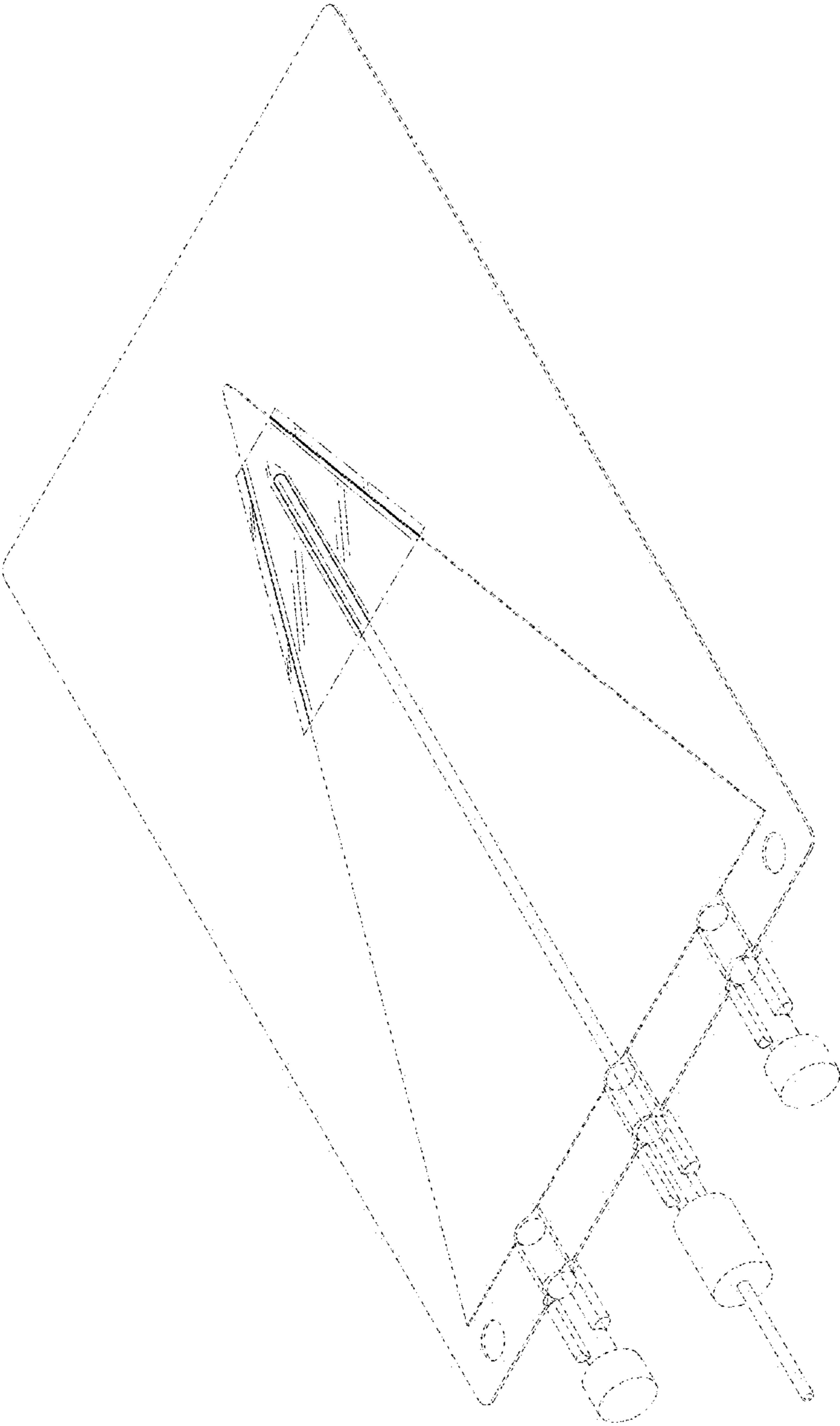


FIG.30

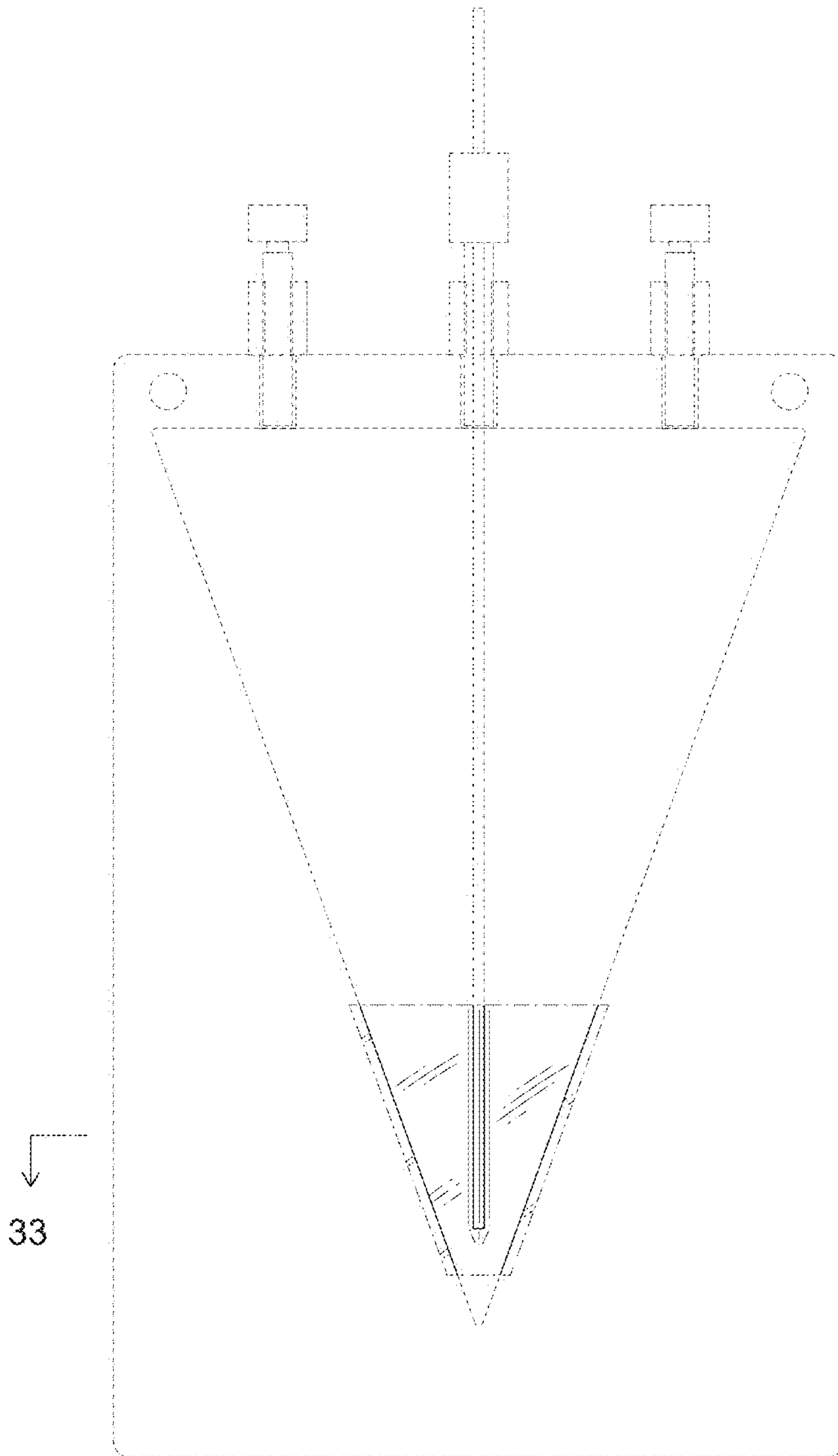


FIG.31

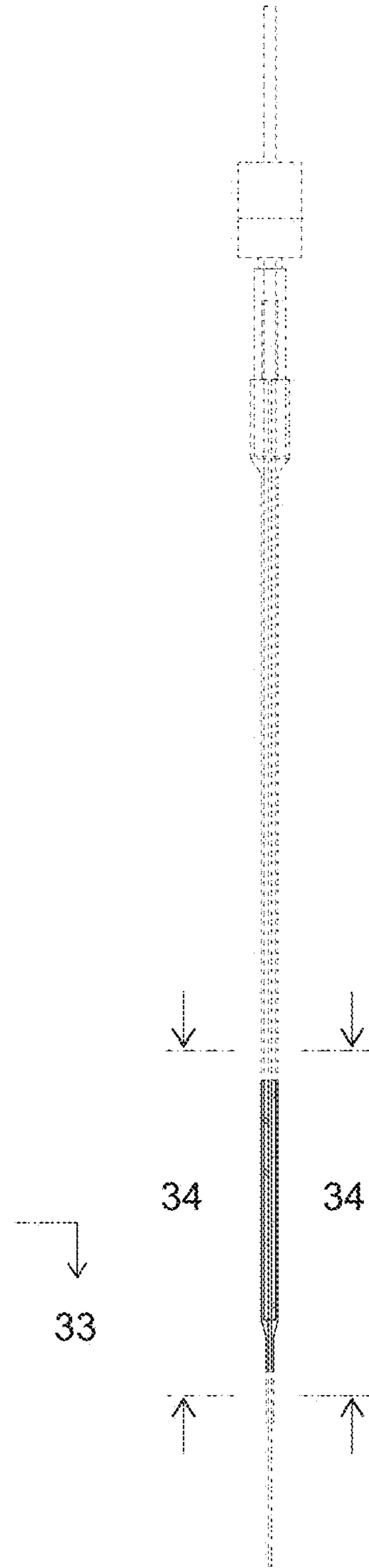


FIG.32

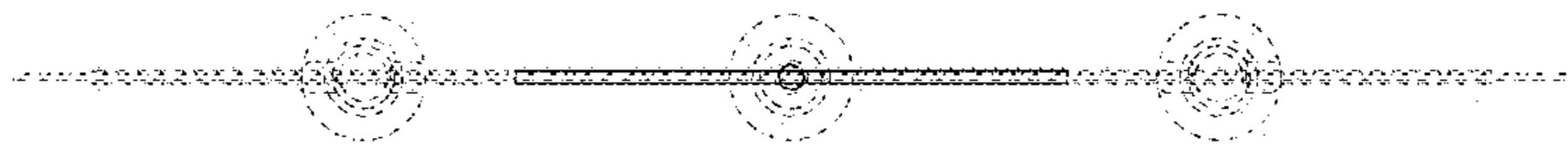


FIG.33

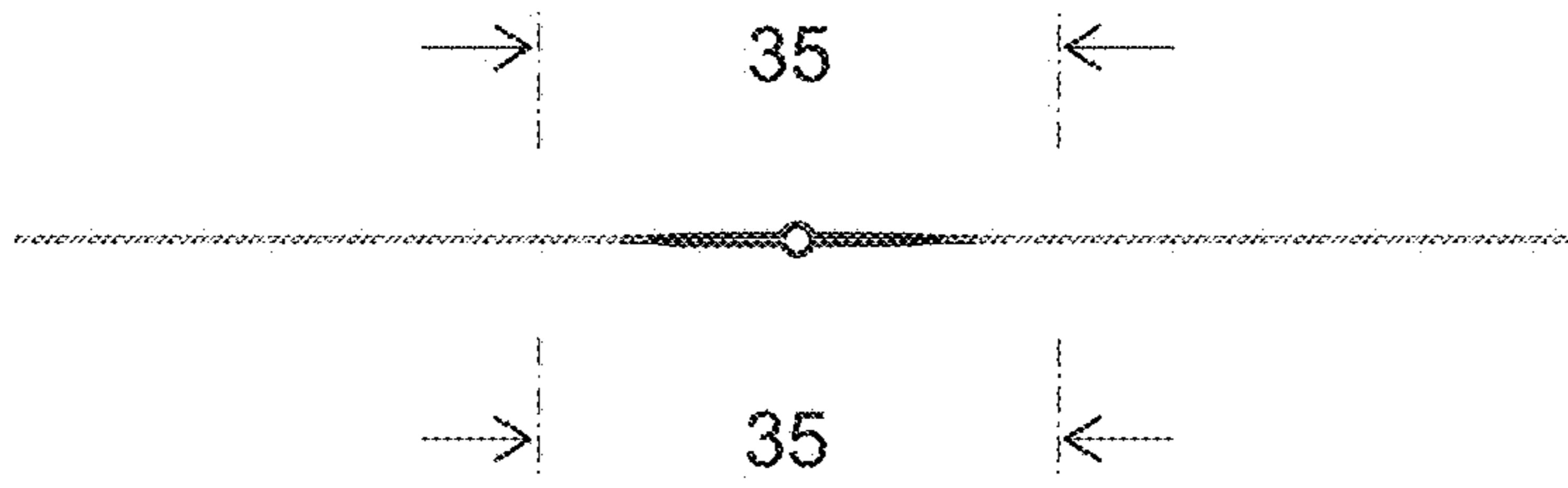


FIG.34

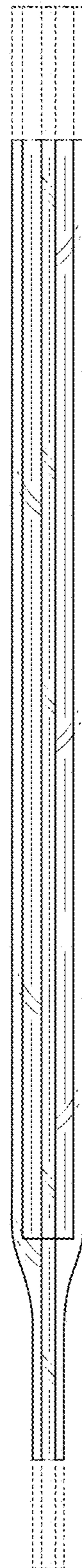


FIG. 35

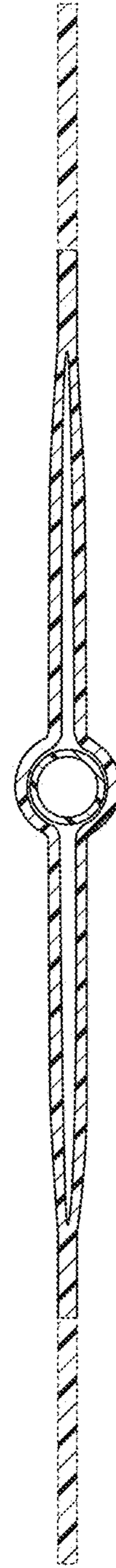


FIG.36

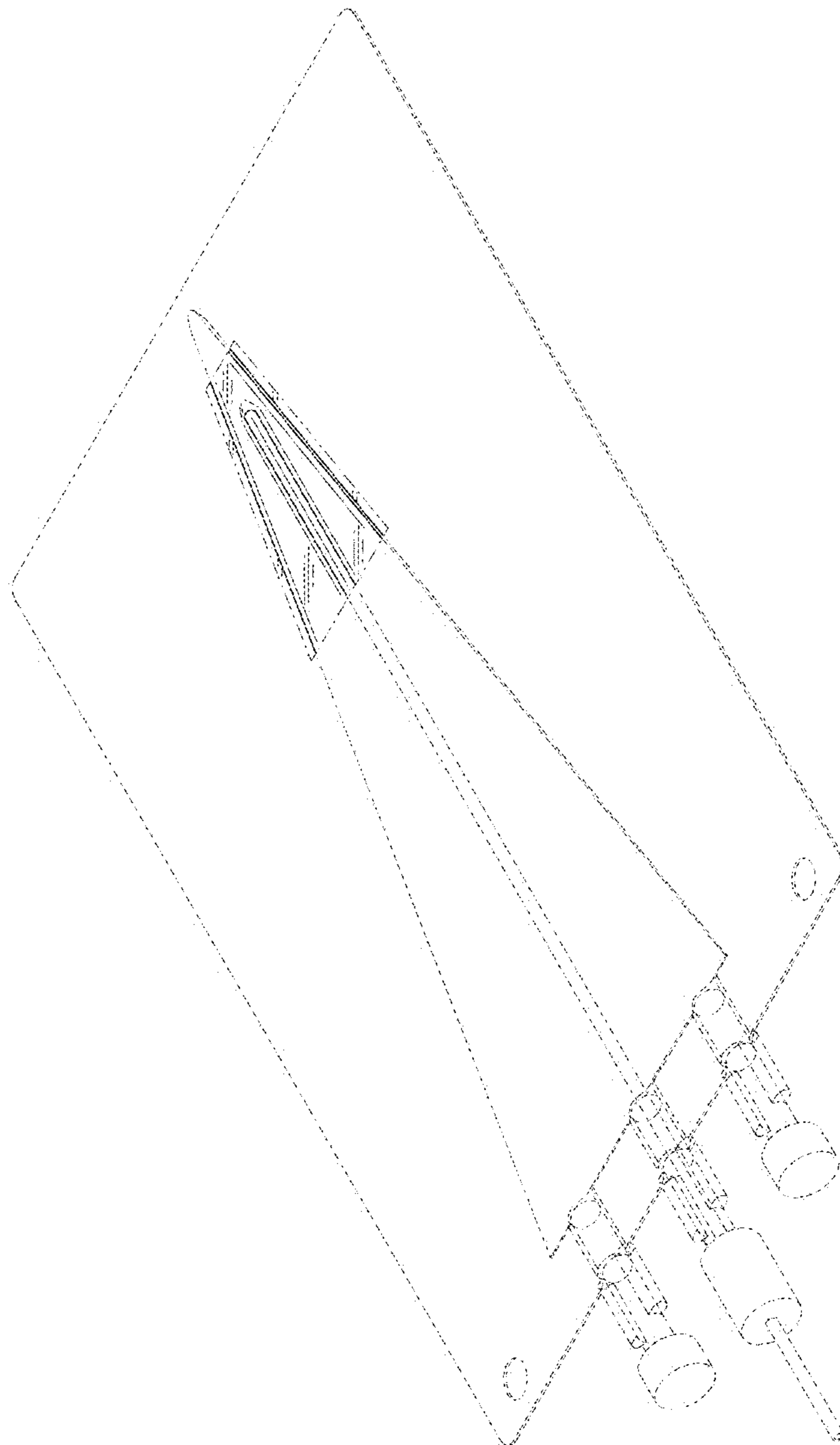


FIG.37

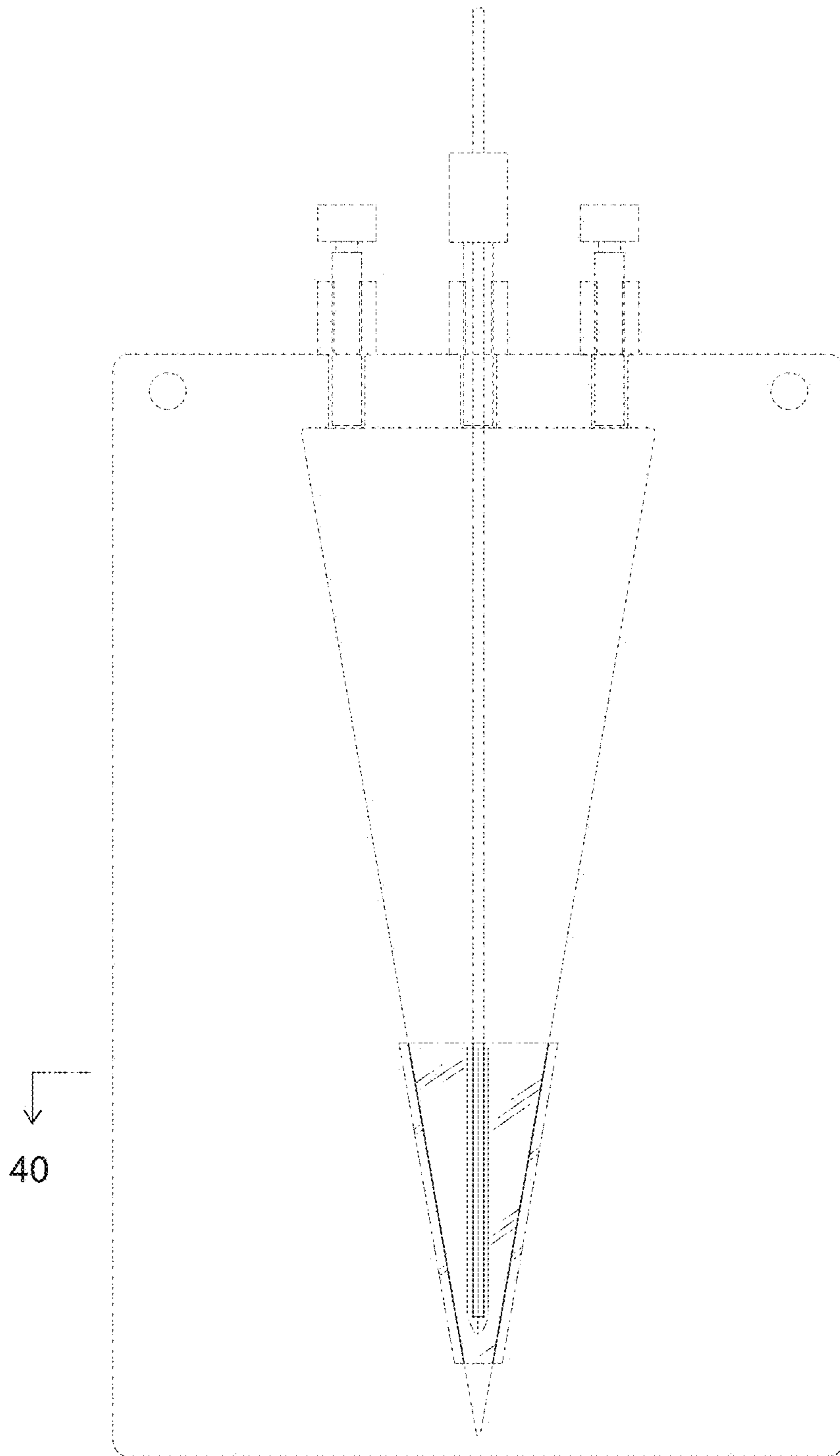


FIG.38

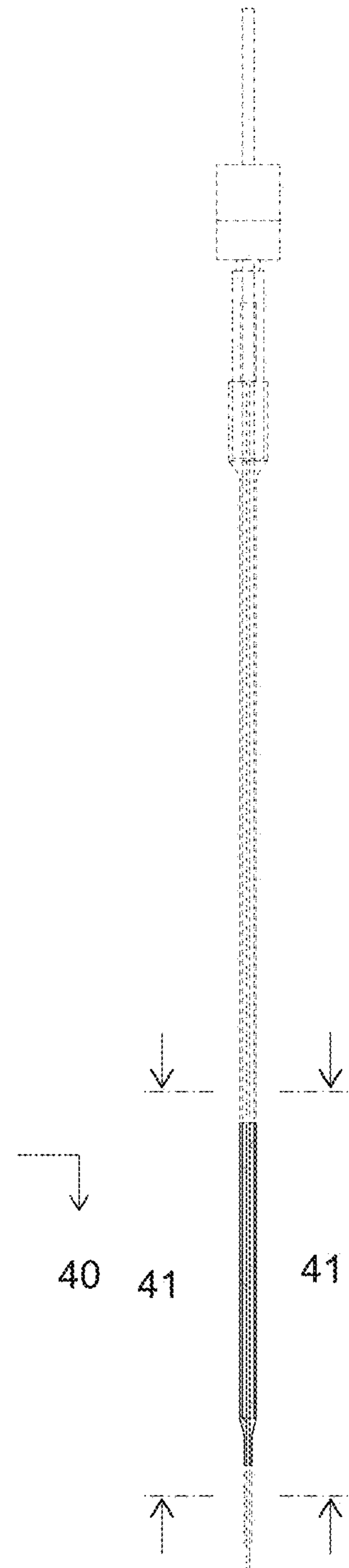


FIG.39



FIG.40

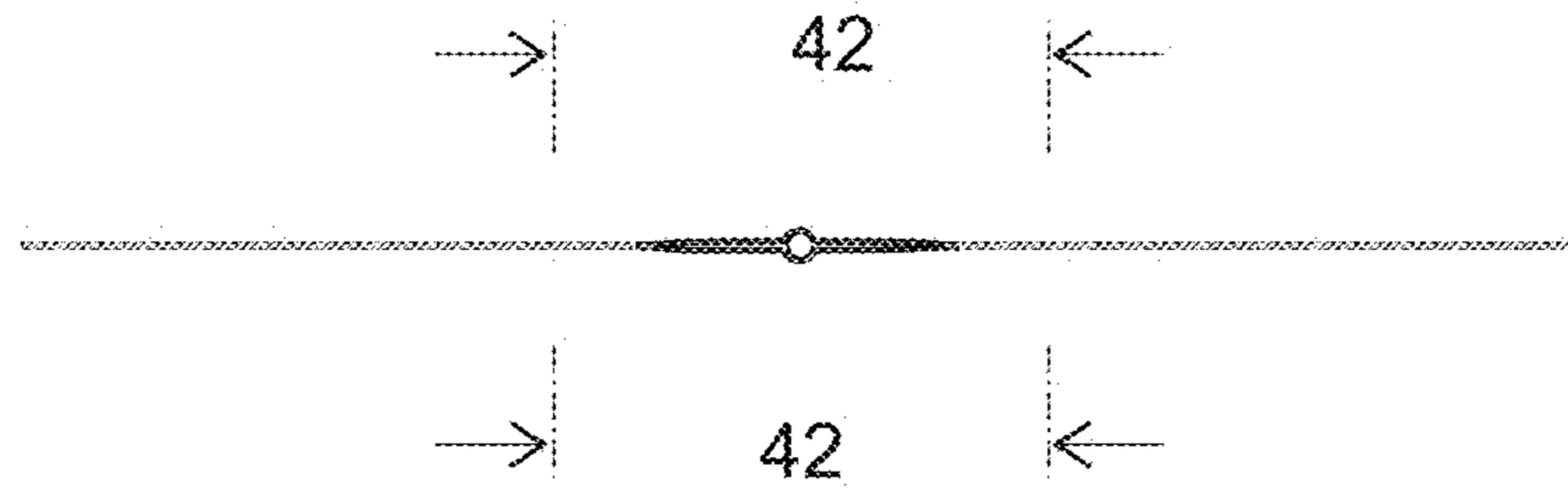


FIG.41



FIG.42

