



US00D903859S

(12) **United States Design Patent** (10) **Patent No.:** **US D903,859 S**
Brown et al. (45) **Date of Patent:** **** Dec. 1, 2020**

- (54) **INSEMINATION SYRINGE**
- (71) Applicants: **Maureen Brown**, Austin, TX (US);
Marc Brown, Austin, TX (US)
- (72) Inventors: **Maureen Brown**, Austin, TX (US);
Marc Brown, Austin, TX (US)
- (73) Assignees: **Maureen Brown**, Austin, TX (US);
Marc Brown, Austin, TX (US)
- (**) Term: **15 Years**
- (21) Appl. No.: **29/666,538**
- (22) Filed: **Oct. 13, 2018**
- Related U.S. Application Data**
- (63) Continuation-in-part of application No. 14/691,220,
filed on Apr. 20, 2015, now abandoned, which is a
continuation-in-part of application No. 14/272,368,
filed on May 7, 2014, now Pat. No. 10,231,755.
- (51) **LOC (12) Cl.** **24-02**
- (52) **U.S. Cl.**
USPC **D24/114**
- (58) **Field of Classification Search**
USPC D24/112-114, 108, 133, 130, 127, 186;
606/181, 185; 604/264, 272, 187, 181,
604/184, 227; D28/7, 8.1; D7/392, 398,
D7/401.11
CPC A61M 5/178; A61M 3/00; A61M 5/20;
A61M 5/31; A61M 5/3146; A61M
5/3129; A61M 5/3148
See application file for complete search history.

- (56) **References Cited**
U.S. PATENT DOCUMENTS
4,809,458 A * 3/1989 Tanikuro B63B 22/166
136/291
5,004,443 A * 4/1991 Su A63H 3/38
446/392

- D401,324 S * 11/1998 Hjertman D24/114
- D407,093 S * 3/1999 Wells D15/82
- D412,206 S * 7/1999 Basile D24/130
- D436,532 S * 1/2001 Richardson D24/104
- D439,010 S * 3/2001 Sogaro D28/7
- D445,176 S * 7/2001 Landers D24/108
- 6,936,034 B2 * 8/2005 Watkins A61M 5/3243
359/441
- D515,736 S * 2/2006 Angeletta D28/7
- D550,851 S * 9/2007 Roehrig D24/193
- D574,954 S * 8/2008 Smith D24/114
- D618,347 S * 6/2010 Bradshaw D24/141
- 8,992,505 B2 * 3/2015 Thorne, Jr. A61M 5/31596
604/122
- D726,028 S * 4/2015 Thompson D9/726
- D729,931 S * 5/2015 Takeuchi D24/114
- D734,539 S * 7/2015 Yeo D28/7
- D739,524 S * 9/2015 Zemel D24/114
- 9,146,144 B2 * 9/2015 Hui B65B 3/10
- D741,476 S * 10/2015 Hiraoka D24/114
- D743,025 S * 11/2015 Berler D24/114
- D750,228 S * 2/2016 Strong D24/127

(Continued)

Primary Examiner — David G Muller
(74) Attorney, Agent, or Firm — Michael Best & Friedrich LLP

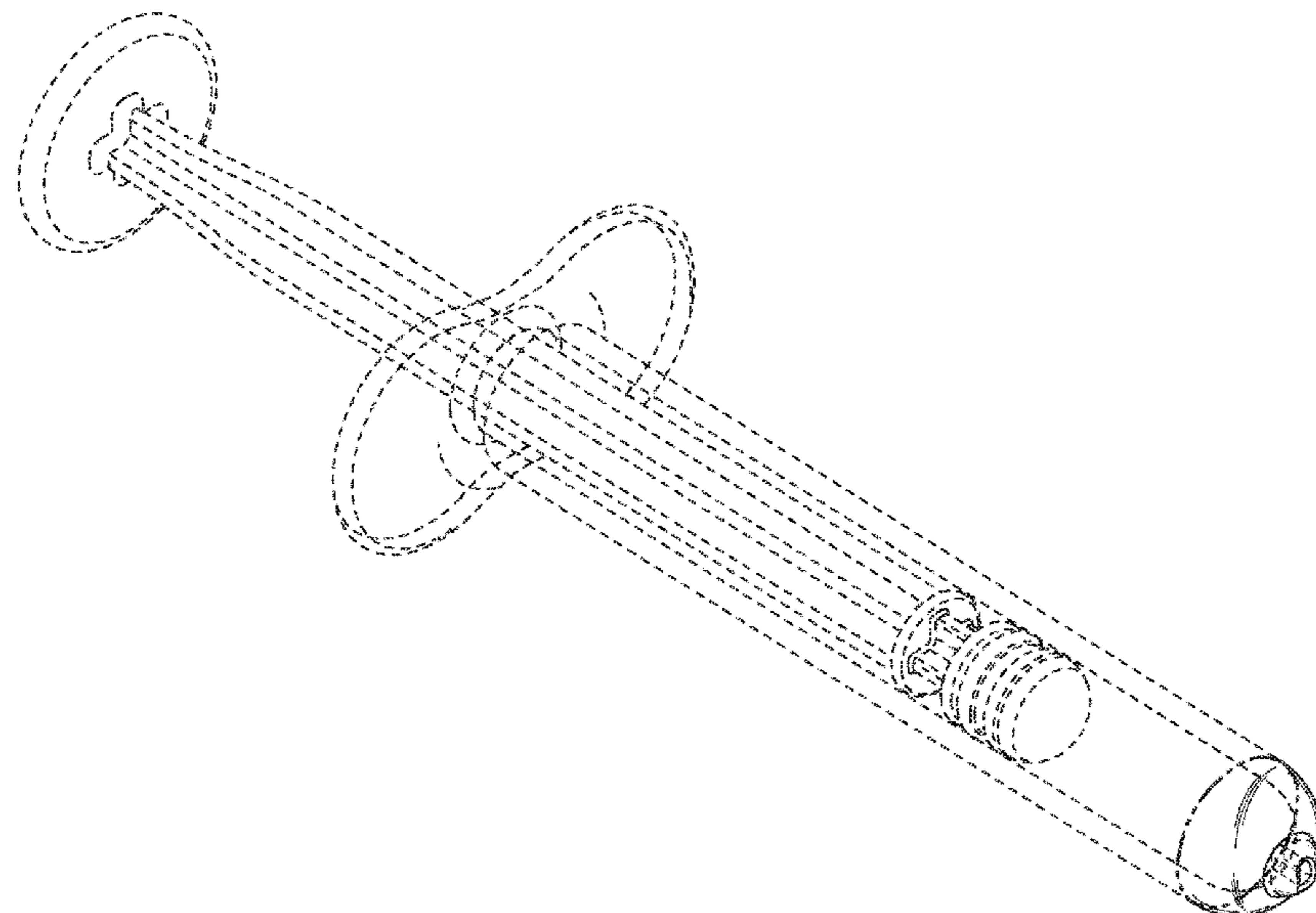
(57) **CLAIM**

The ornamental design for an insemination syringe, as shown and described.

DESCRIPTION

FIG. 1 is an isometric view of the insemination syringe;
FIG. 2 is a left side view thereof;
FIG. 3 is a right side view thereof;
FIG. 4 is a front view thereof;
FIG. 5 is back view thereof;
FIG. 6 is a top view thereof; and,
FIG. 7 is a bottom perspective view thereof.

1 Claim, 4 Drawing Sheets



(56)

References Cited

U.S. PATENT DOCUMENTS

9,968,769	B2 *	5/2018	Sasayama	A61M 5/31515
D844,777	S *	4/2019	Combes	D24/114
D852,360	S *	6/2019	Lund	D24/141
D861,895	S *	10/2019	Clores	D24/196
D866,248	S *	11/2019	Baron	D7/391
2014/0367409	A1 *	12/2014	Digregorio	B65D 83/0005 222/389

* cited by examiner

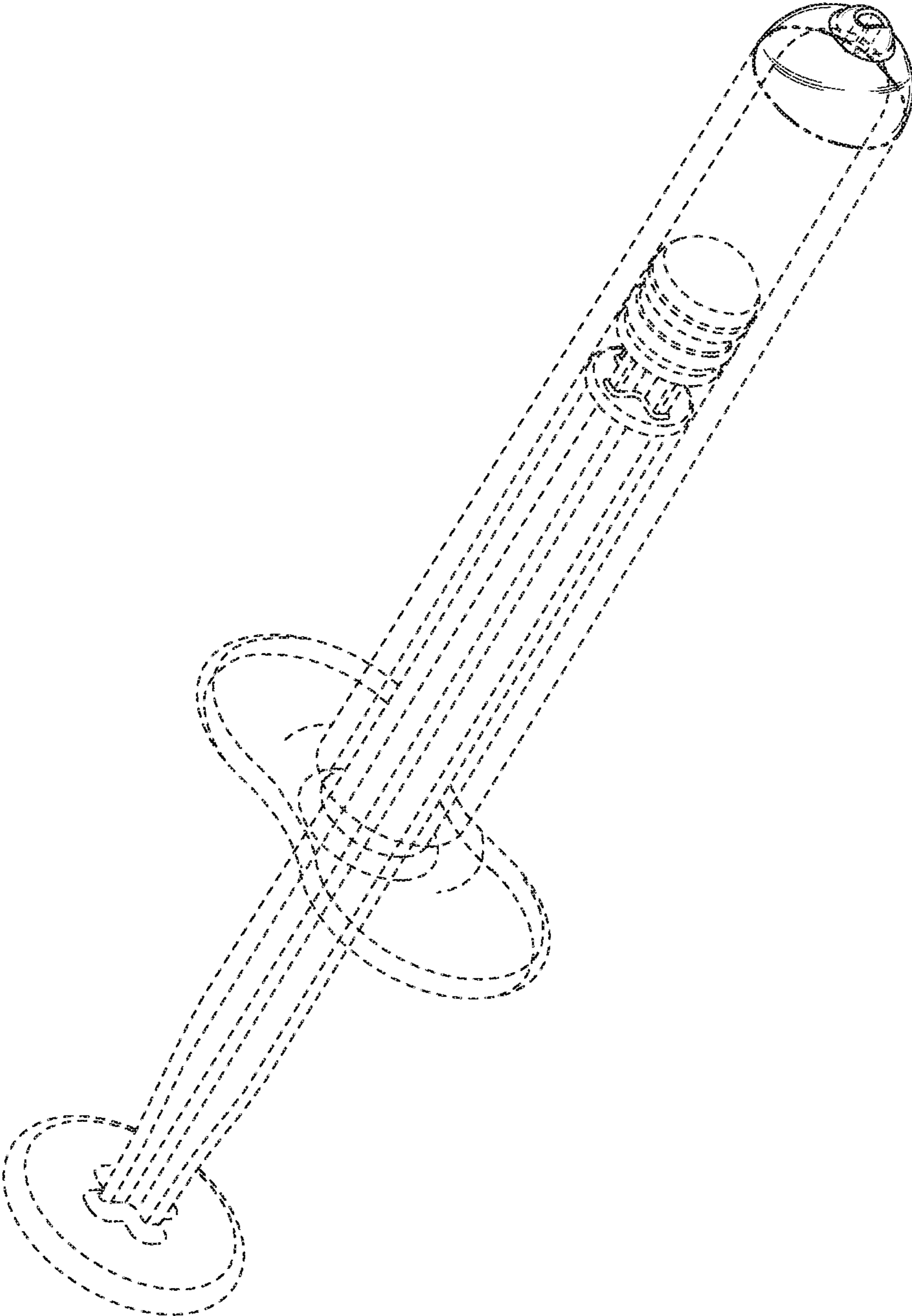


FIG. 1

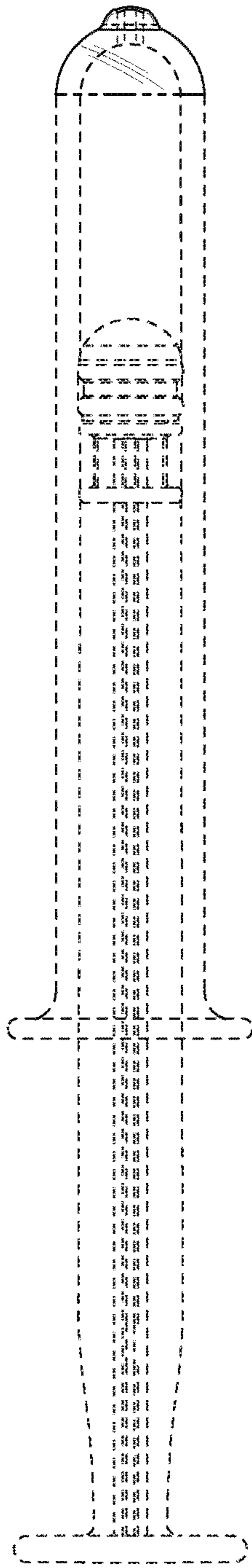


FIG. 2

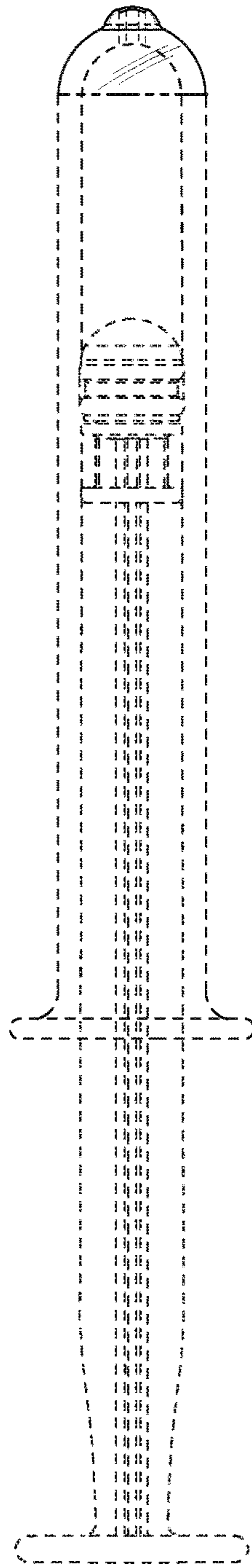


FIG. 3

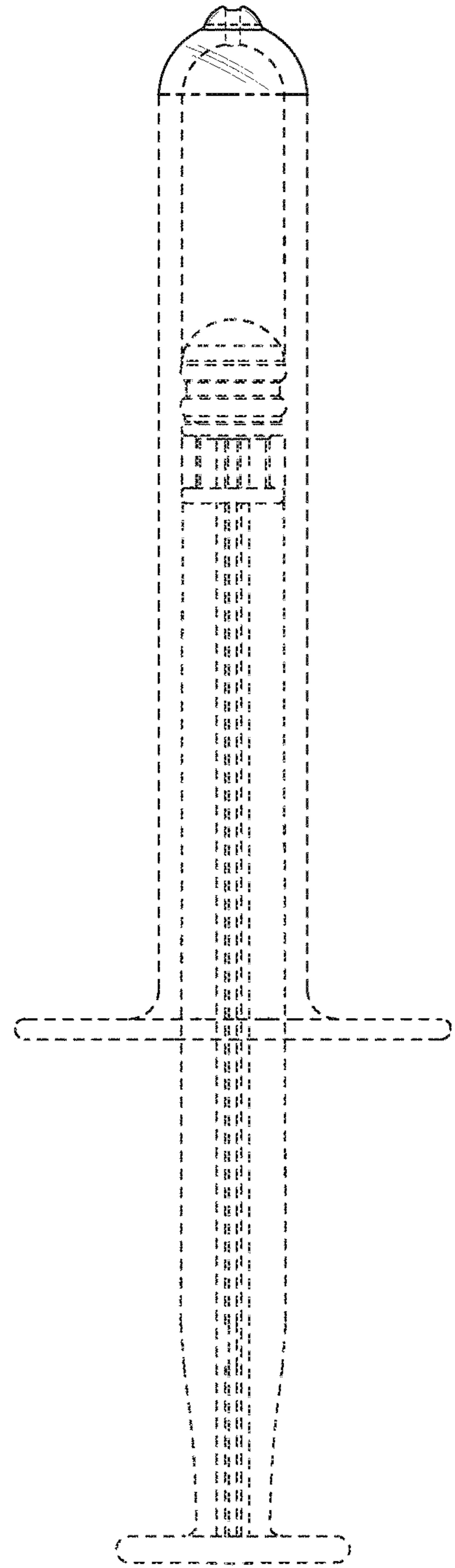


FIG. 4

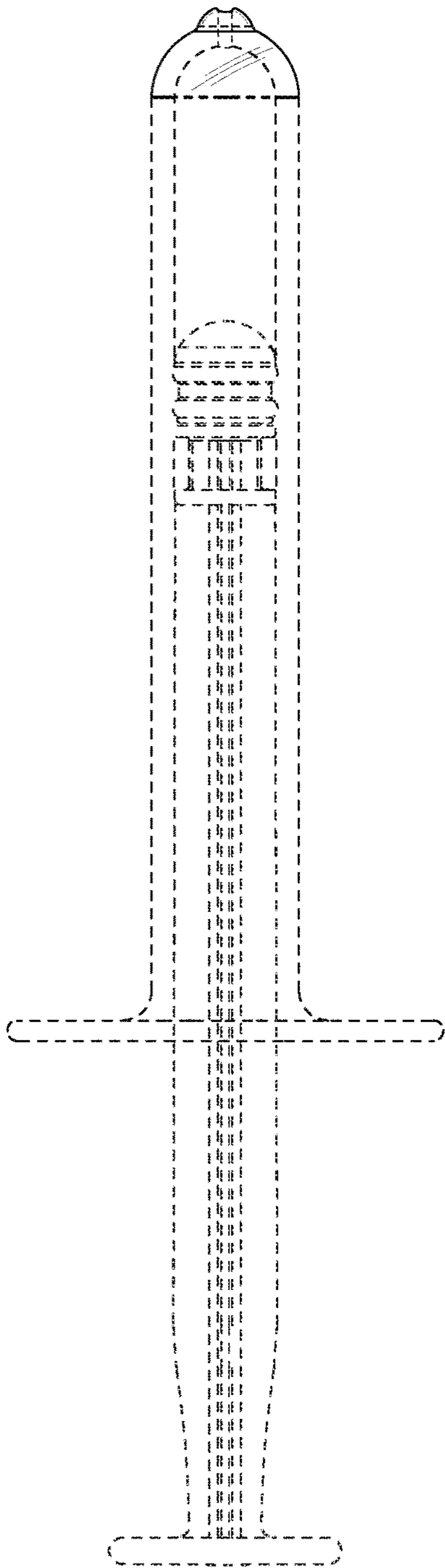


FIG. 5

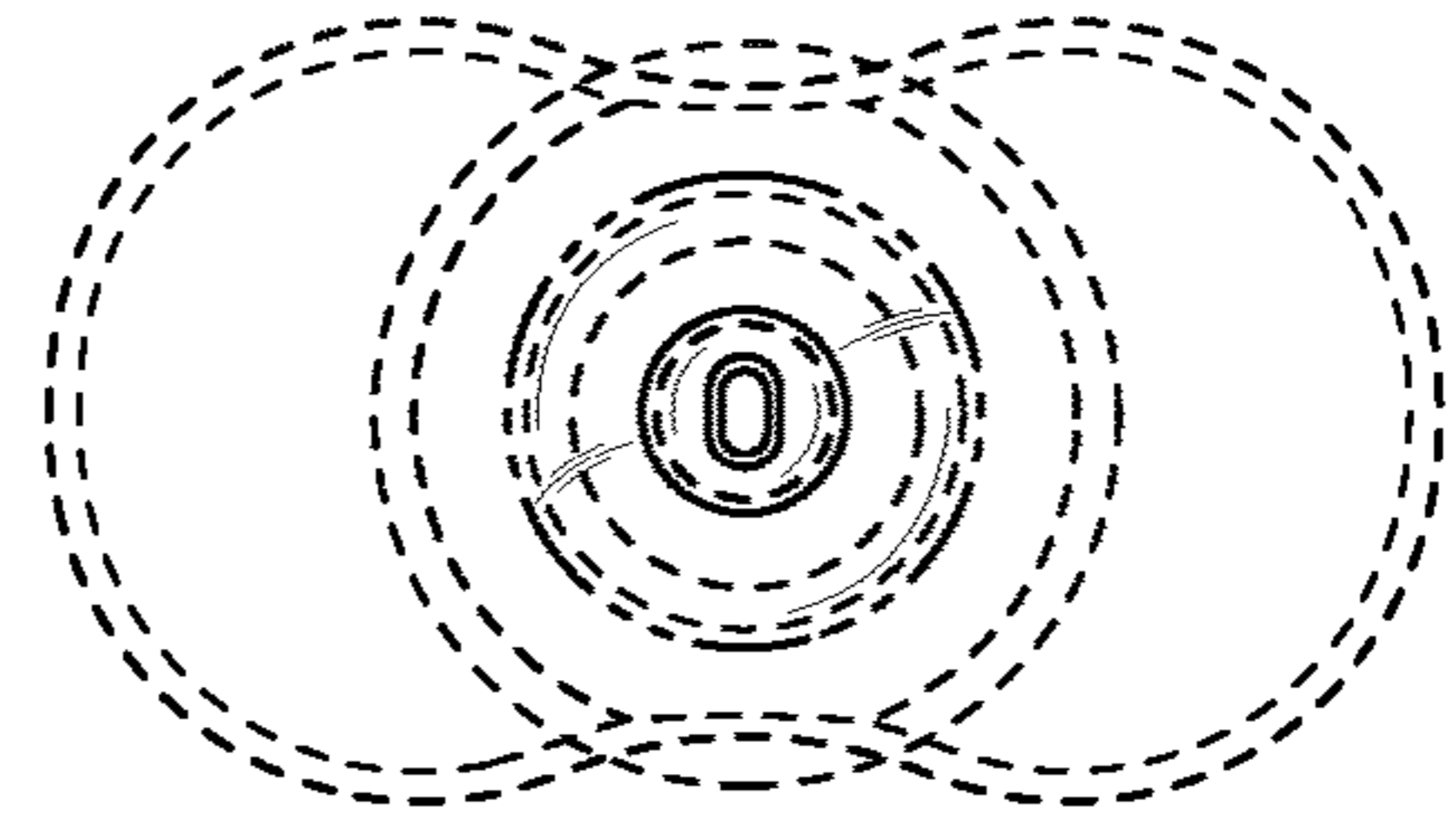


FIG. 6

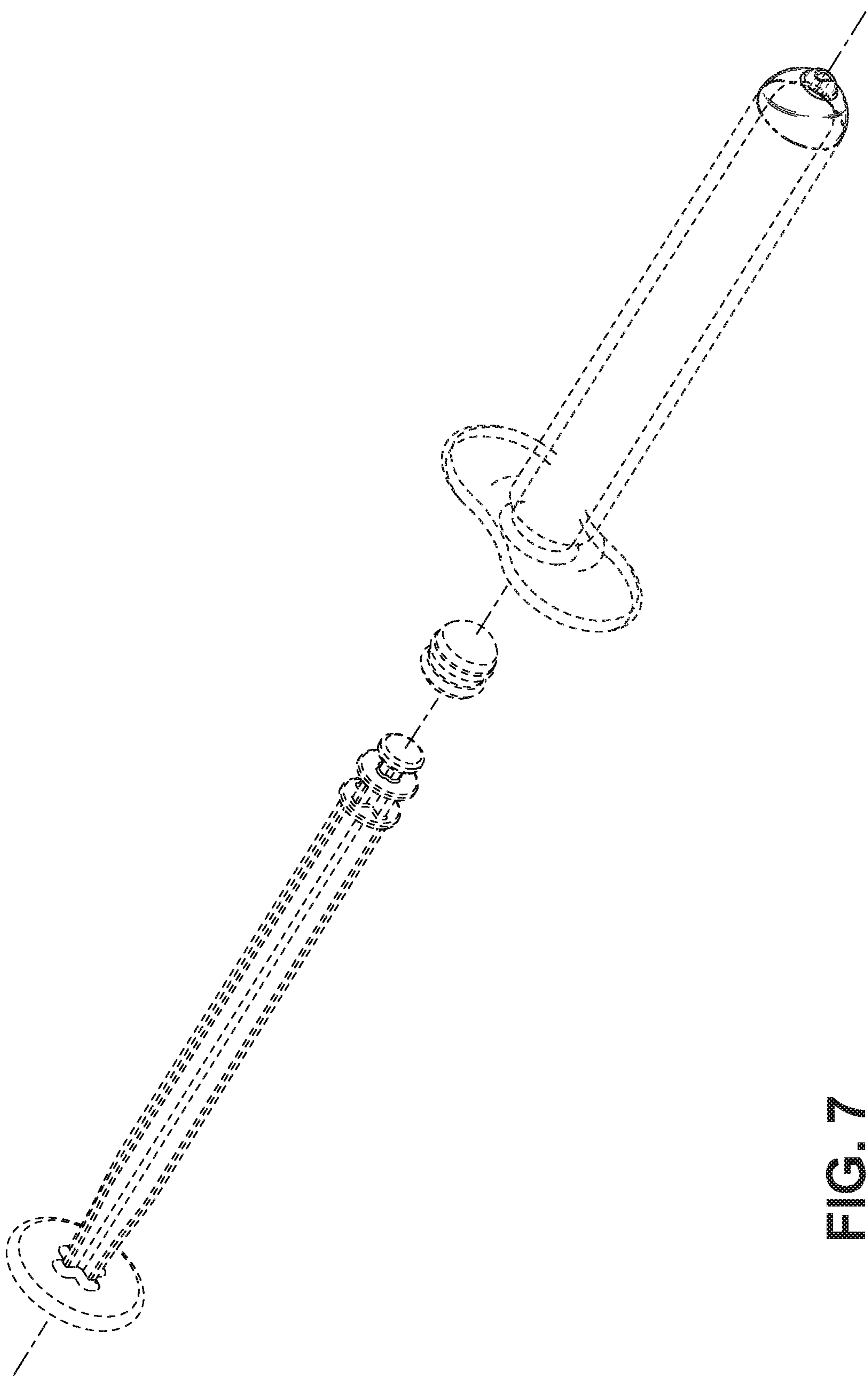


FIG. 7