



US00D903858S

(12) **United States Design Patent** (10) **Patent No.:** **US D903,858 S**
Concu et al. (45) **Date of Patent:** **** Dec. 1, 2020**

(54) **DRUG DELIVERY DEVICE** D797,929 S * 9/2017 Davis D24/130
D802,760 S 11/2017 Neby
(71) Applicant: **Eli Lilly and Company**, Indianapolis, IN (US) D807,503 S * 1/2018 Davis D24/130
(Continued)

(72) Inventors: **Andrea Concu**, Milan (IT); **Giorgio Maria Sardo**, Milan (IT)
(73) Assignee: **Eli Lilly and Company**, Indianapolis, IN (US)

FOREIGN PATENT DOCUMENTS

WO 2016131713 8/2016
WO 2016142727 9/2016
WO 2016193229 12/2016
(Continued)

(**) Term: **15 Years**

OTHER PUBLICATIONS

(21) Appl. No.: **29/661,620**
(22) Filed: **Aug. 29, 2018**
(51) **LOC (12) Cl.** **24-02**
(52) **U.S. Cl.**
USPC **D24/113**
(58) **Field of Classification Search**
USPC D24/113
CPC .. A61M 25/065; A61M 5/42; A61M 25/0612;
A61M 25/00; A61M 39/00; A61M 27/00;
A61M 25/0043; A61M 25/0067; A61M
25/0097; A61F 2/958
See application file for complete search history.

Design U.S. Appl. No. 29/661,604, filed Aug. 29, 2018 entitled
“Component for a Drug Delivery Device” consisting of a 4-page
Specification and 16 pages of Figures.
(Continued)

Primary Examiner — David G Muller
(74) *Attorney, Agent, or Firm* — M Daniel Spillman

(57) **CLAIM**

The ornamental design for a drug delivery device, as shown
and described.

DESCRIPTION

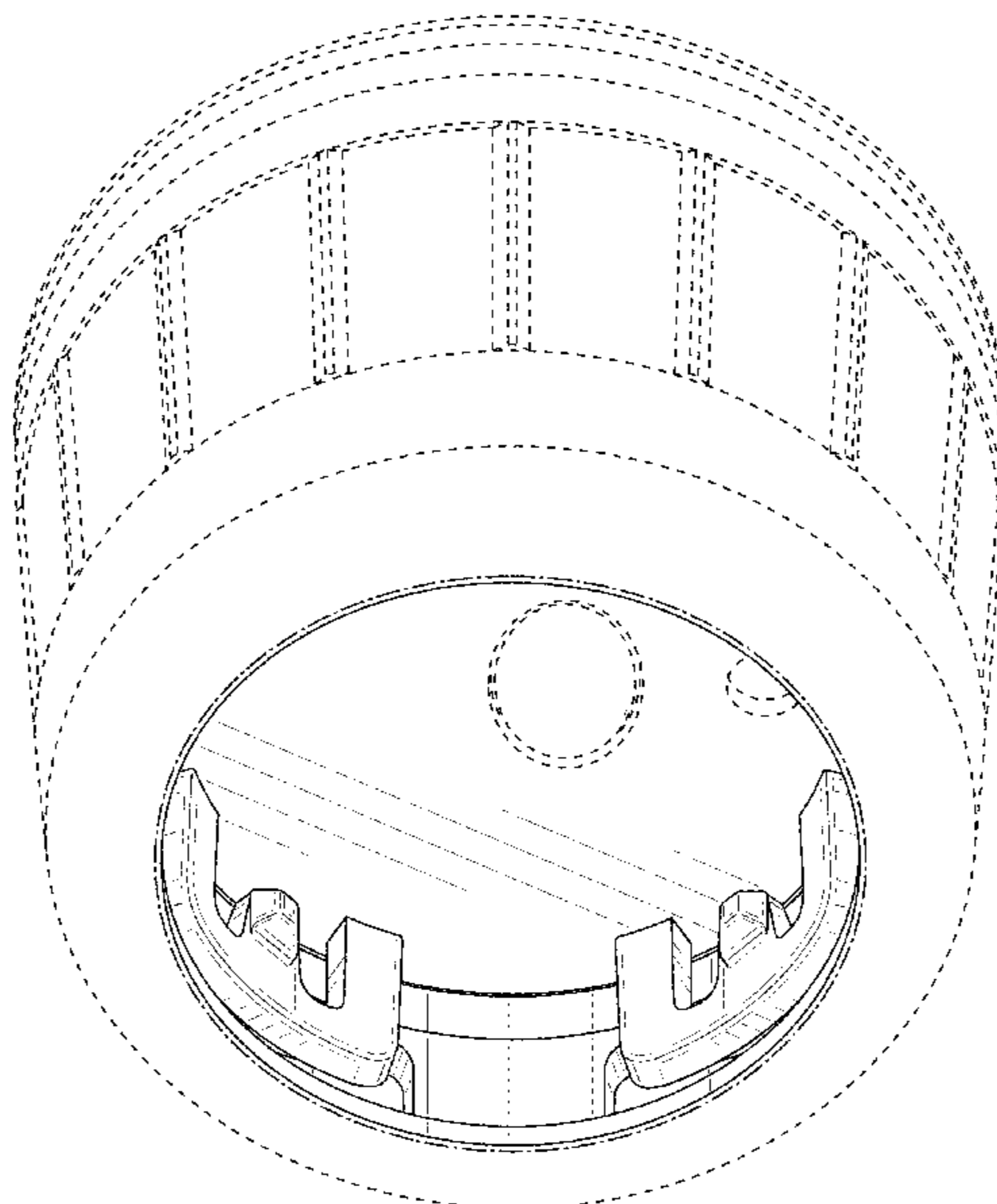
FIG. 1 is a top front perspective view of a first embodiment
of a drug delivery device showing the new design;
FIG. 2 is a front elevation view thereof;
FIG. 3 is a rear elevation view thereof;
FIG. 4 is a left side elevation view thereof;
FIG. 5 is a right side elevation view thereof;
FIG. 6 is a top plan view thereof;
FIG. 7 is a bottom plan view thereof; and,
FIG. 8 is a bottom, front perspective view.
The portions depicted in broken lines of uneven length
define the unclaimed boundary of the claimed design. The
portions depicted in broken lines of even length form no part
of the claimed design.

(56) **References Cited**

U.S. PATENT DOCUMENTS

D496,101 S * 9/2004 Davison D24/112
D616,093 S * 5/2010 Kawamura D24/130
7,775,990 B2 * 8/2010 DeHart A61B 5/15117
600/583
8,795,309 B2 * 8/2014 Lacy A61M 5/158
606/185
D723,681 S * 3/2015 Ingram D24/130
D745,668 S * 12/2015 Shiraiishi D24/130
D751,192 S * 3/2016 She D24/127
D779,057 S * 2/2017 Wohlfahrt D24/130
D788,296 S * 5/2017 Ishida D24/130
D797,928 S * 9/2017 Davis D24/130

1 Claim, 8 Drawing Sheets



(56)

References Cited

U.S. PATENT DOCUMENTS

D834,187 S * 11/2018 Ryan A61M 39/20
D24/130

FOREIGN PATENT DOCUMENTS

WO	2016198516	12/2016
WO	2017032586	3/2017
WO	2018013419	1/2018
WO	2018160425	9/2018
WO	2019036576	2/2019
WO	2019040117	2/2019
WO	2019040118	2/2019
WO	2019040313	2/2019
WO	2019164955	8/2019

OTHER PUBLICATIONS

Design U.S. Appl. No. 29/661,609, filed Aug. 29, 2018 entitled
"Component for a Drug Delivery Device" consisting of a 5-page
Specification and 24 Pages of Figures.

Design U.S. Appl. No. 29/661,625, filed Aug. 29, 2018 entitled
"Component for a Drug Delivery Device" consisting of a 3-page
Specification and 5 Pages of Figures.

* cited by examiner

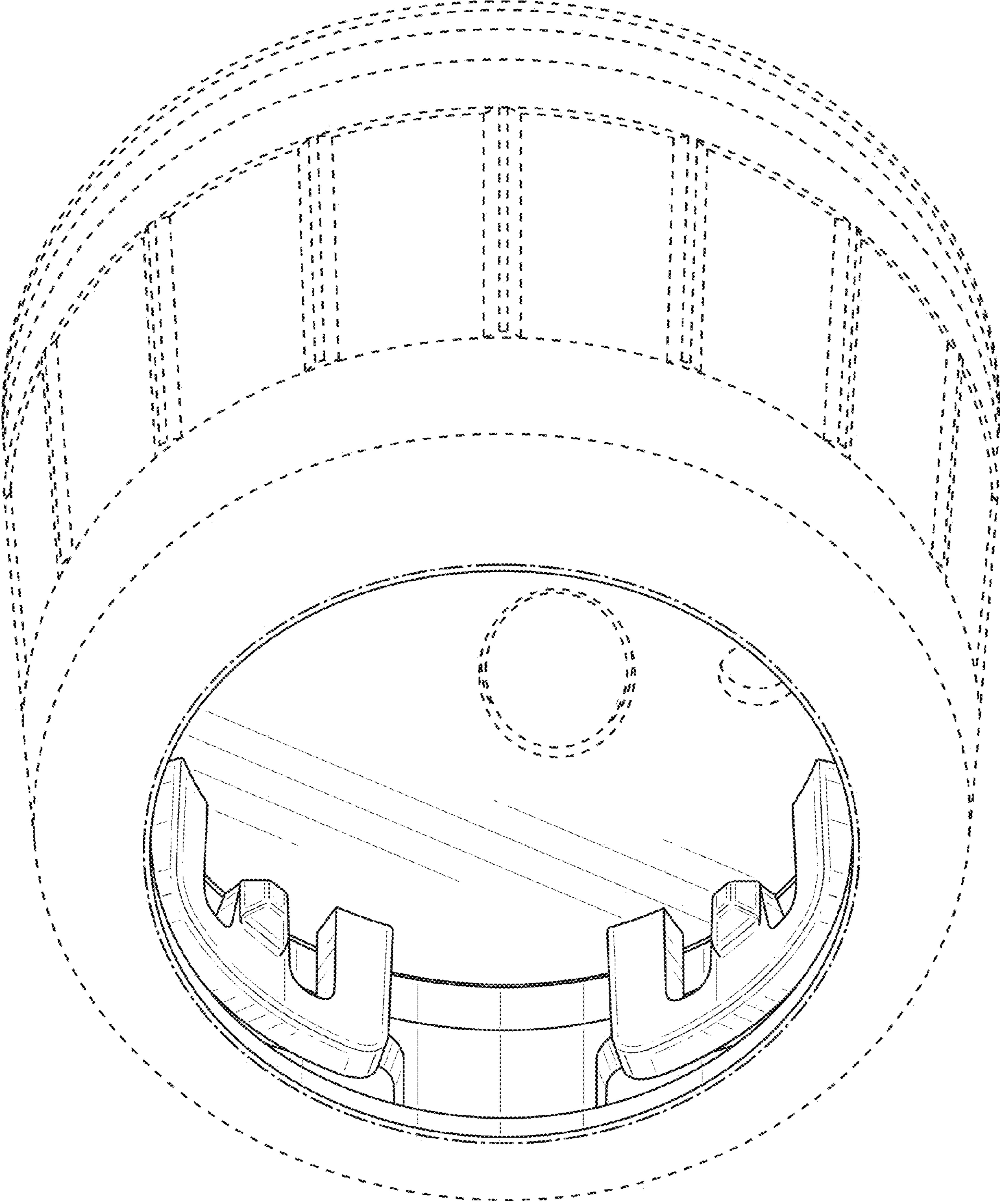


FIG. 1

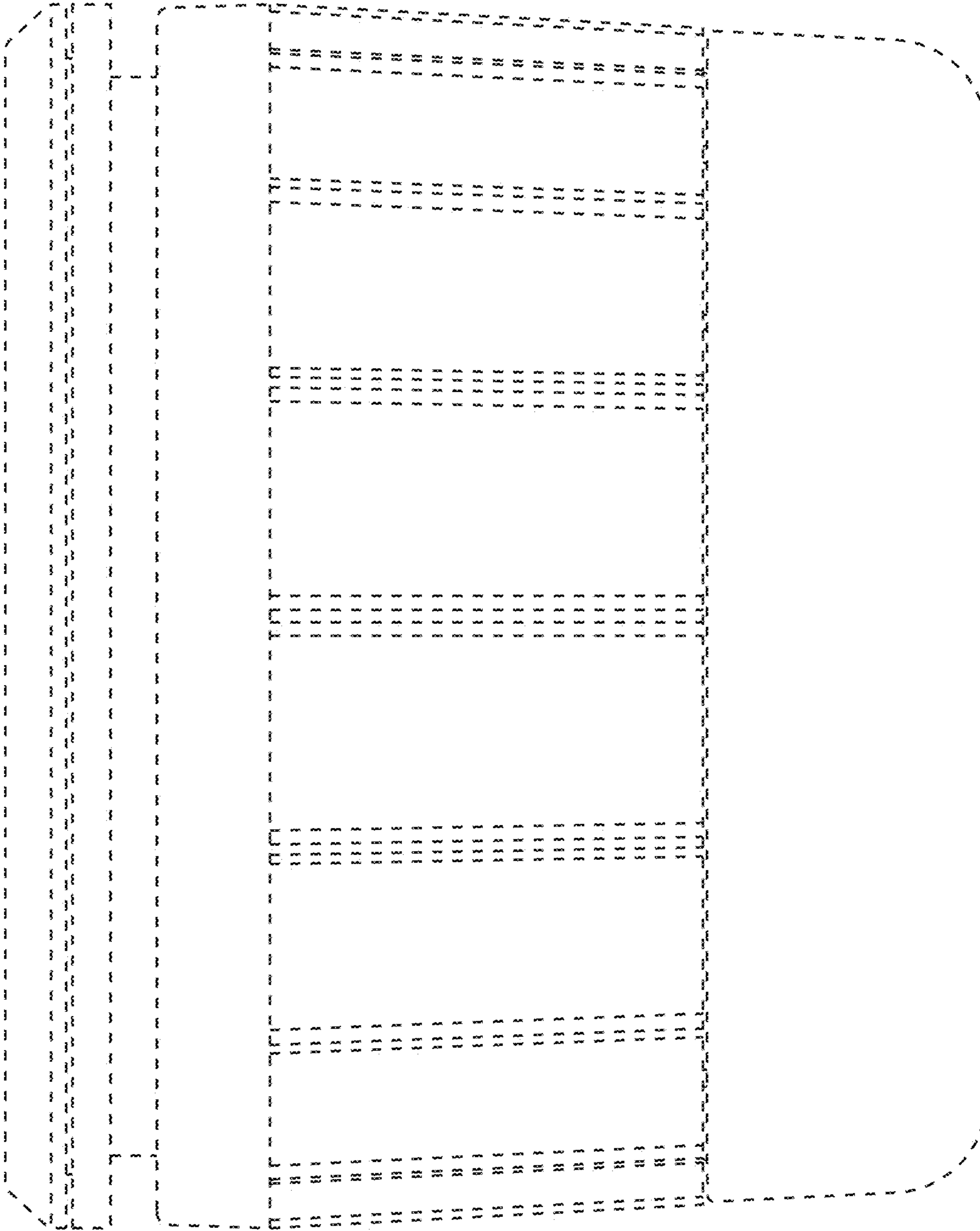


FIG. 2

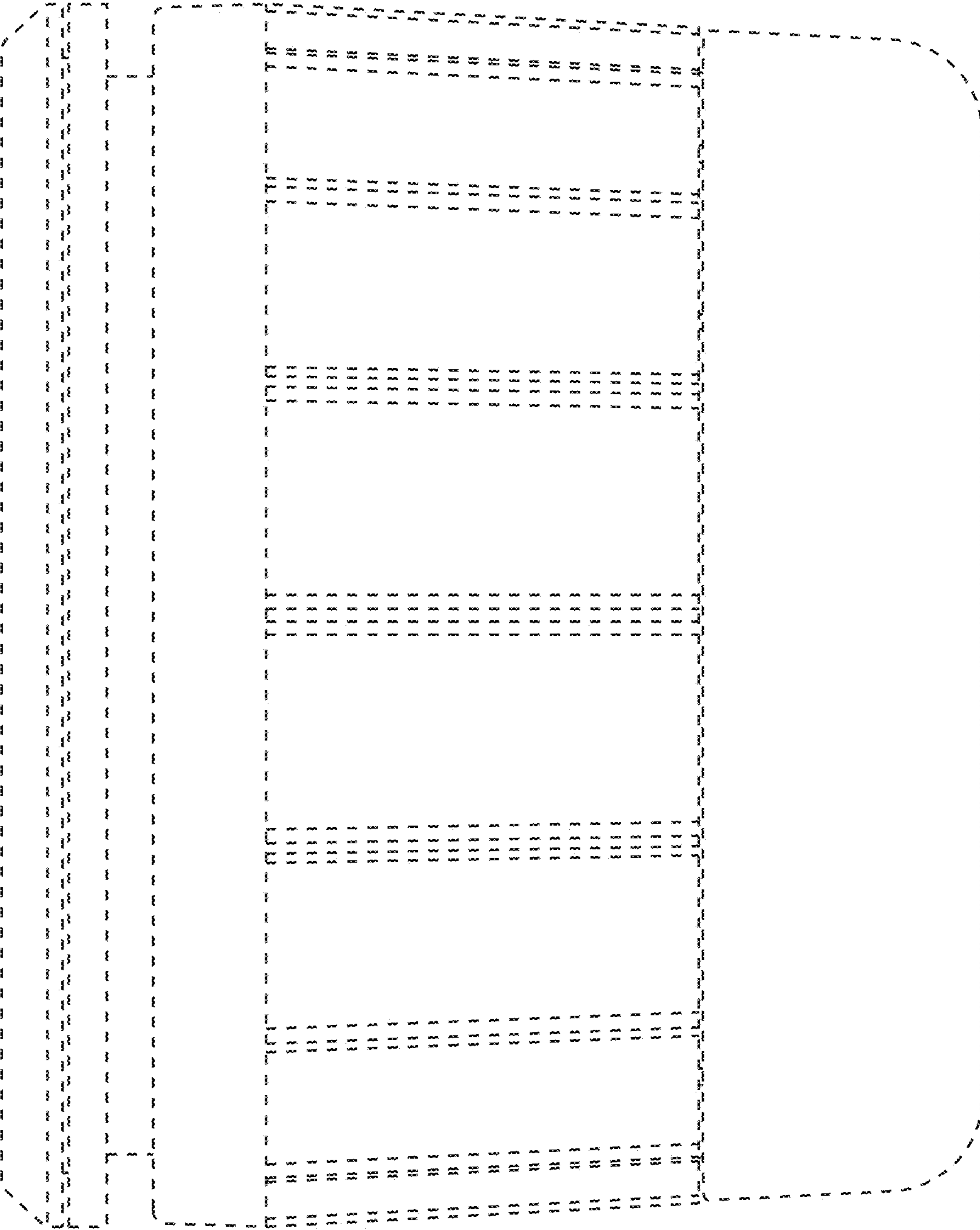


FIG. 3

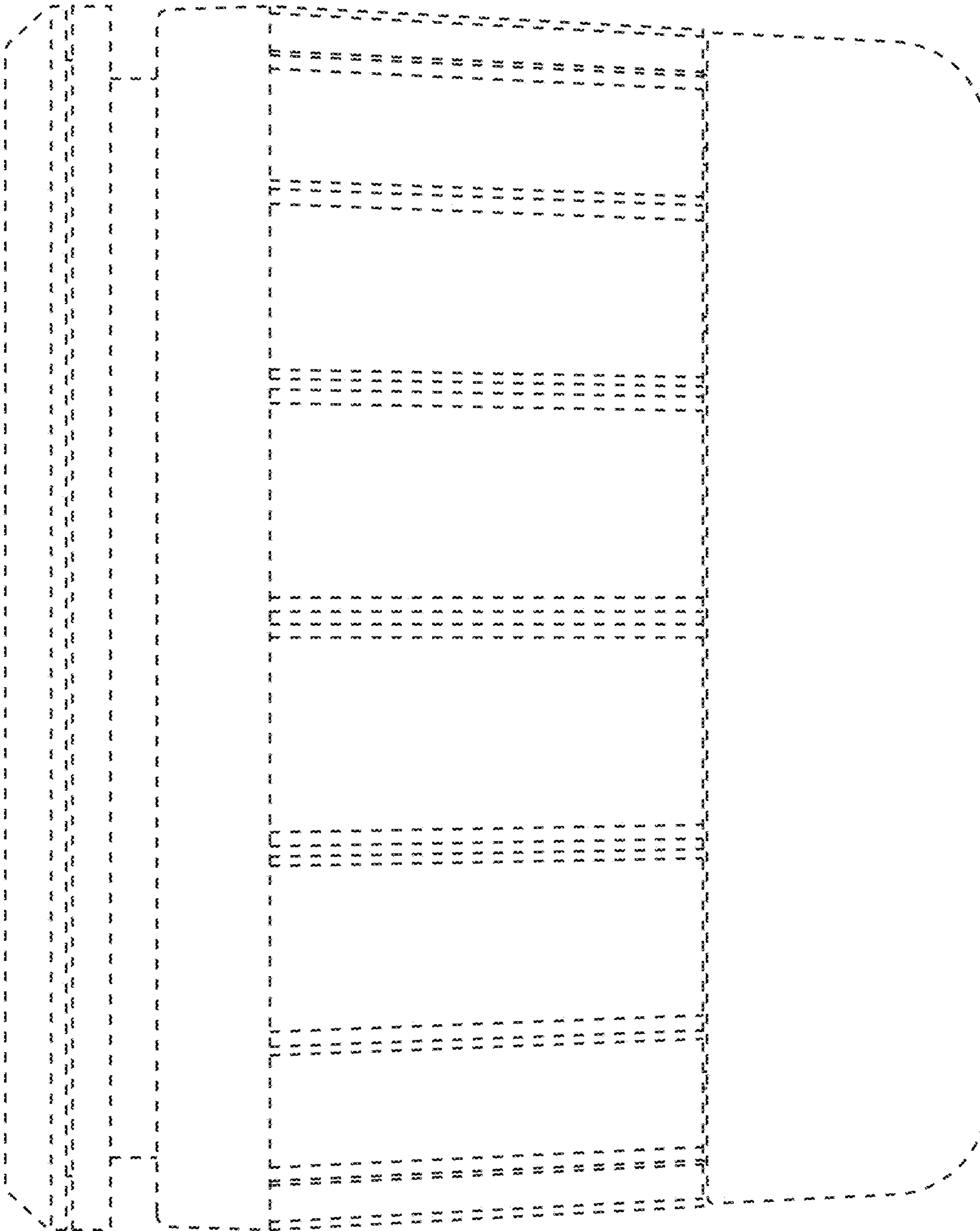


FIG. 4

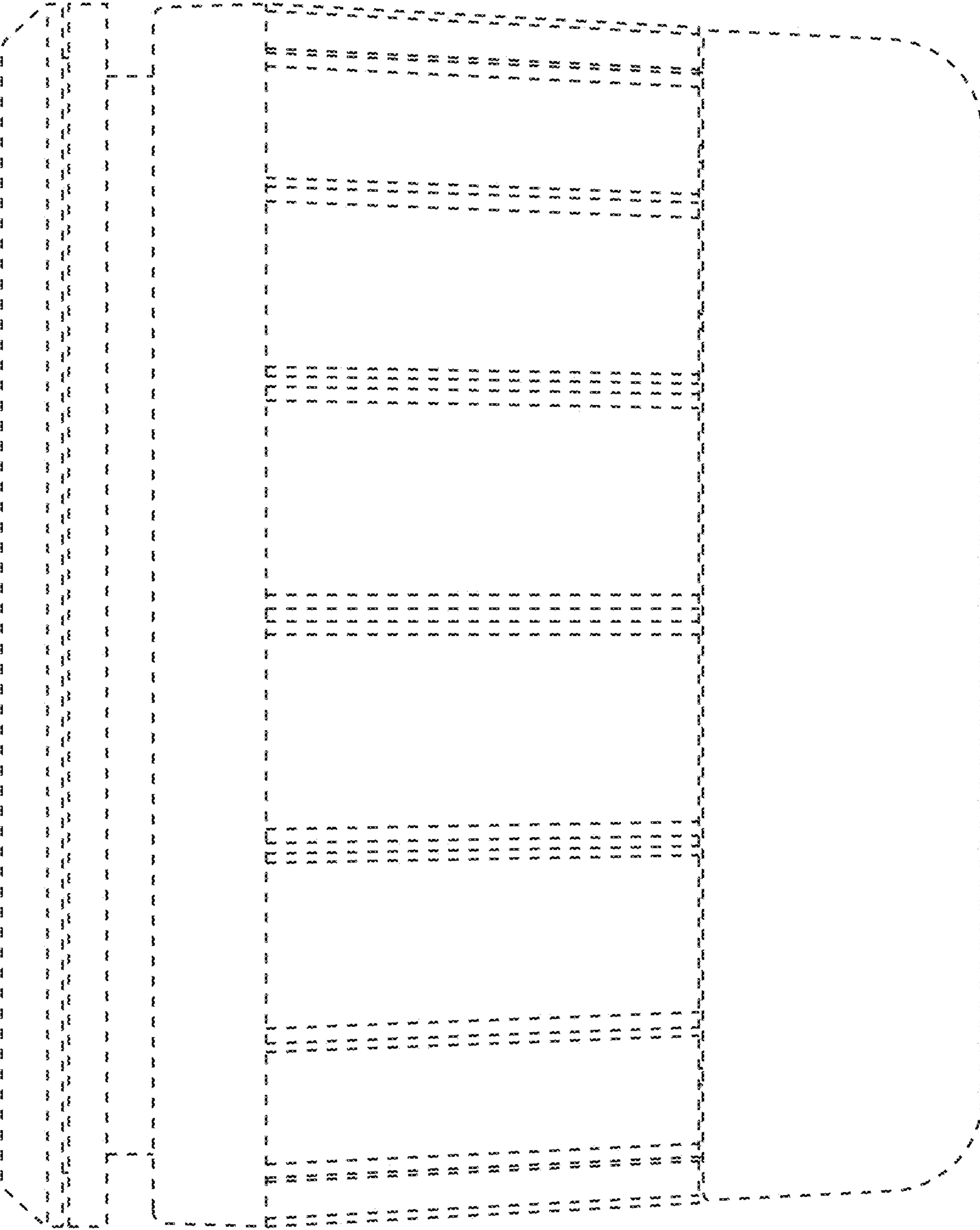


FIG. 5

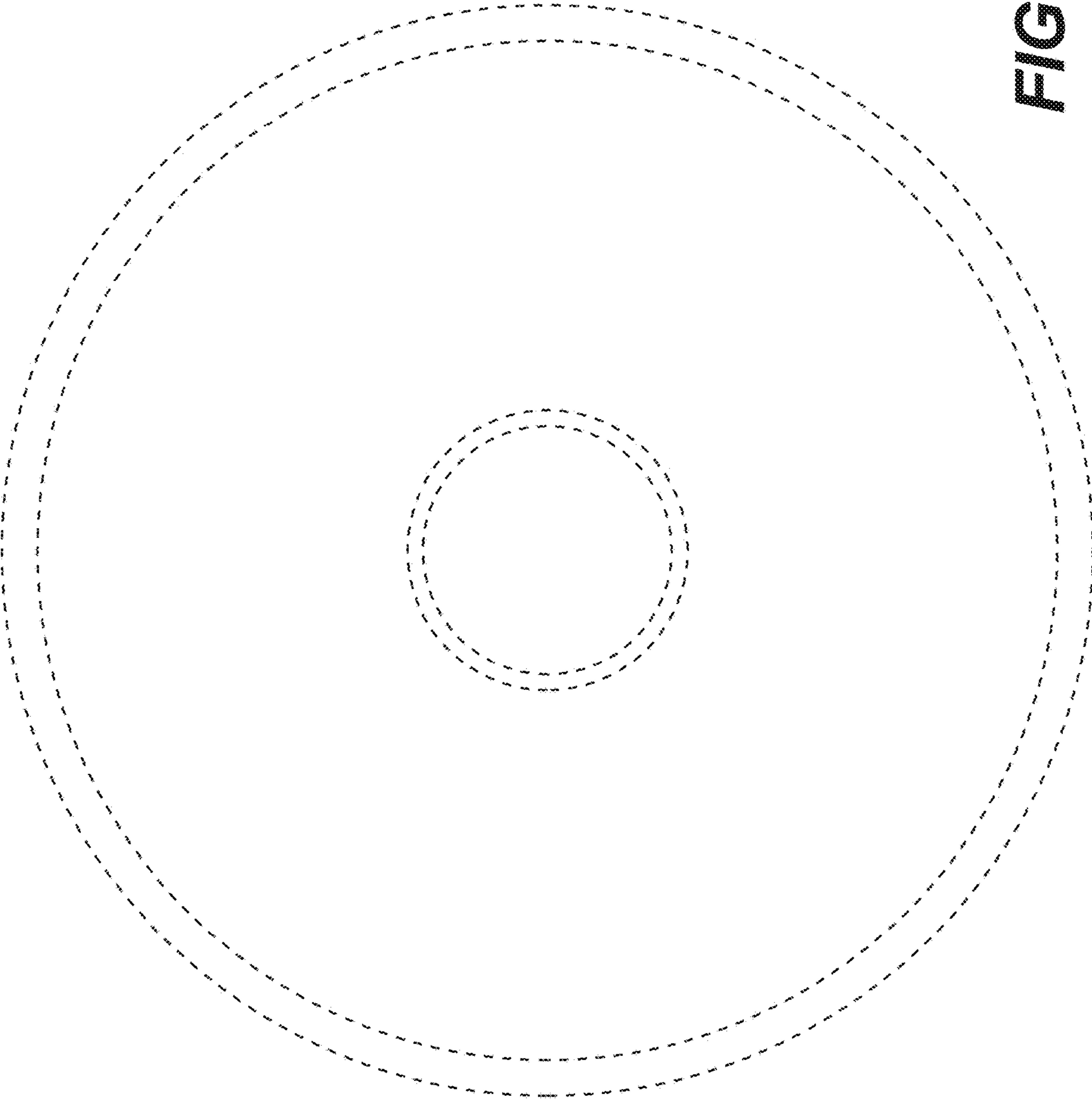


FIG. 6

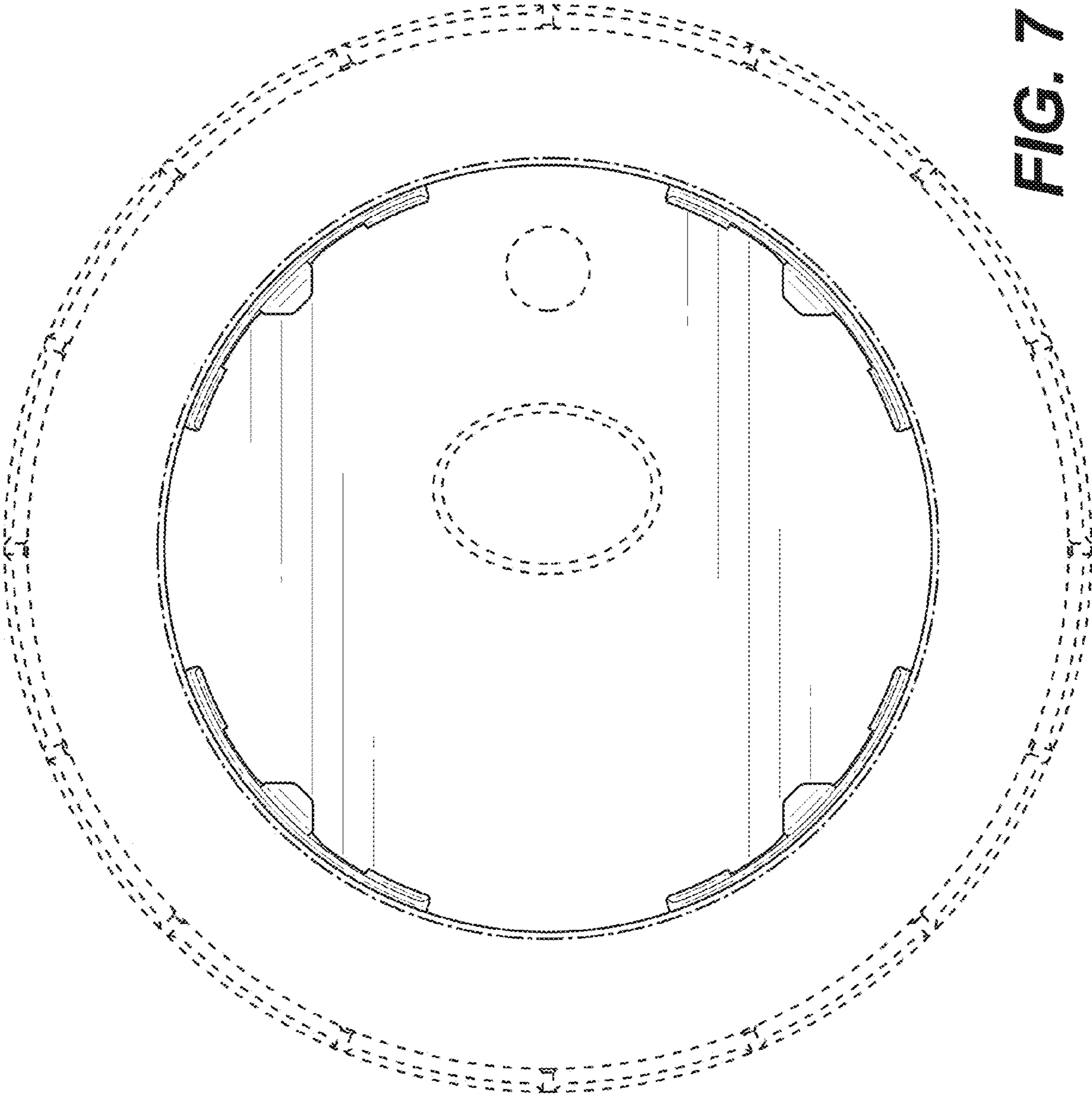


FIG. 7

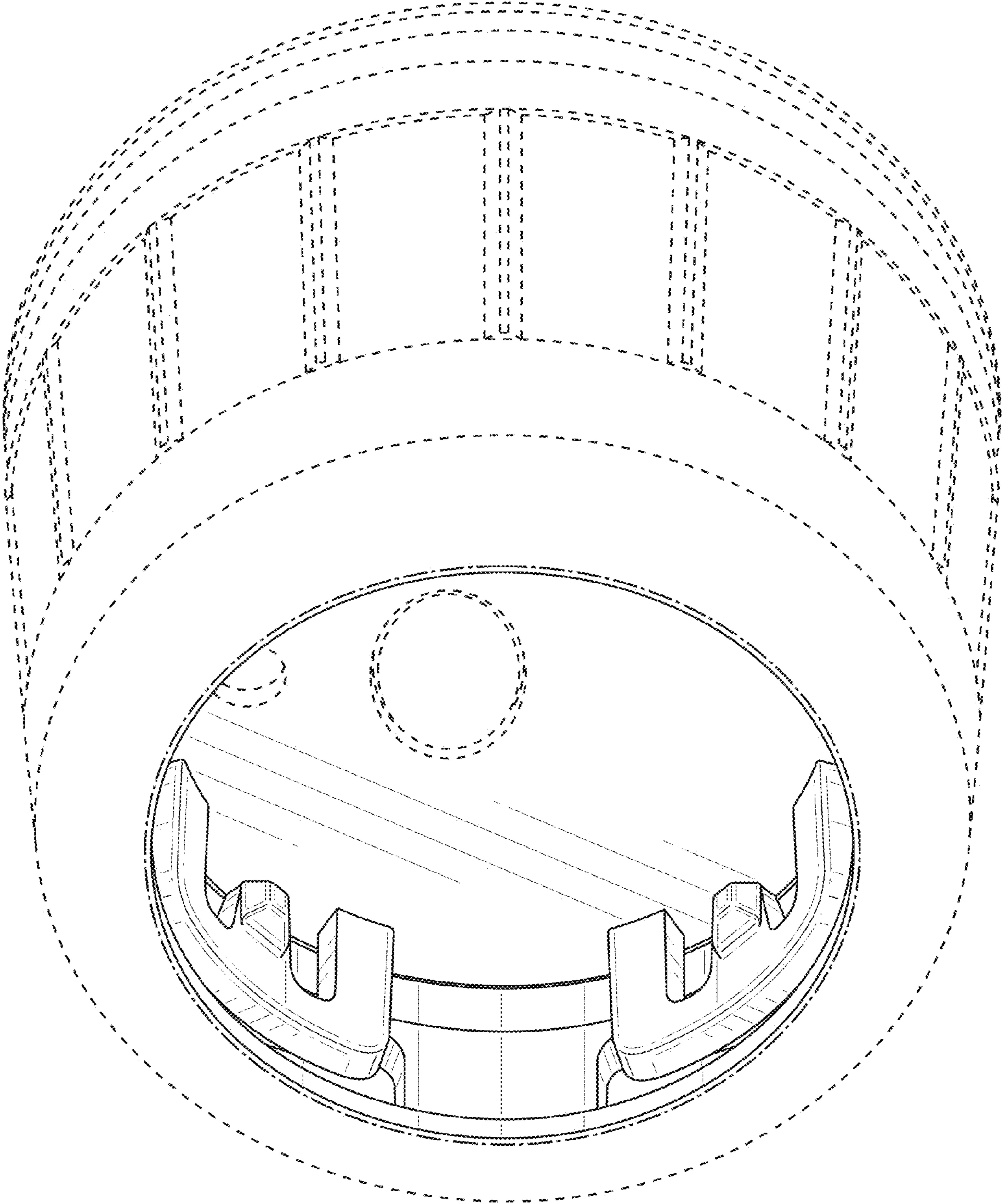


FIG. 8

UNITED STATES PATENT AND TRADEMARK OFFICE
CERTIFICATE OF CORRECTION

PATENT NO. : D903,858 S
APPLICATION NO. : 29/661620
DATED : December 1, 2020
INVENTOR(S) : Andrea Concu and Giorgio Maria Sardo

Page 1 of 1

It is certified that error appears in the above-identified patent and that said Letters Patent is hereby corrected as shown below:

On the Title Page

Column 2, Line 9 of the DESCRIPTION section, delete “view” and insert --view thereof--.

Signed and Sealed this
Sixteenth Day of February, 2021



Drew Hirshfeld
*Performing the Functions and Duties of the
Under Secretary of Commerce for Intellectual Property and
Director of the United States Patent and Trademark Office*