



US00D903857S

(12) **United States Design Patent** (10) **Patent No.:** **US D903,857 S**
Levy (45) **Date of Patent:** **** Dec. 1, 2020**

(54) **COMPONENT FOR A DRUG DELIVERY DEVICE**

D662,827 S * 7/2012 Watabe D9/453
D675,526 S * 2/2013 Obrist D9/453
D732,162 S * 6/2015 Fourt D24/114

(Continued)

(71) Applicant: **Eli Lilly and Company**, Indianapolis, IN (US)

FOREIGN PATENT DOCUMENTS

(72) Inventor: **Kathryn Amanda Levy**, Indianapolis, IN (US)

WO 2016131713 8/2016
WO 2016142727 9/2016

(Continued)

(73) Assignee: **Eli Lilly and Company**, Indianapolis, IN (US)

OTHER PUBLICATIONS

(**) Term: **15 Years**

Design U.S. Appl. No. 29/661,609, filed Aug. 29, 2018 entitled "Component for a Drug Delivery Device" consisting of a 5-page Specification and 24 Pages of Figures.

(Continued)

(21) Appl. No.: **29/661,604**

(22) Filed: **Aug. 29, 2018**

(51) **LOC (12) Cl.** **24-02**

(52) **U.S. Cl.**
USPC **D24/113**

(58) **Field of Classification Search**
USPC D24/112-114, 108, 130, 127, 133, 186;
606/181, 185; 604/264, 523-528, 272,
604/164.01-164.11, 187, 93.01; 600/101,
600/139, 143; 128/200.24, 207.14,
128/207.15; D9/772, 773, 774, 549, 556,
D9/452, 453

CPC .. A61M 25/065; A61M 5/42; A61M 25/0612;
A61M 25/00; A61M 39/00; A61M 27/00;
A61M 25/0043; A61M 25/0067; A61M
25/0097; A61F 2/958

See application file for complete search history.

Primary Examiner — David G Muller

(74) *Attorney, Agent, or Firm* — M Daniel Spillman

(57) **CLAIM**

The ornamental design for a component for a drug delivery device, as shown and described.

DESCRIPTION

FIG. 1 is a front, top perspective view of a first embodiment of a component for a drug delivery device, showing the new design;

FIG. 2 is a front elevation view thereof;

FIG. 3 is a rear elevation view thereof;

FIG. 4 is a left side elevation view thereof;

FIG. 5 is a right side elevation view thereof;

FIG. 6 is a top plan view thereof;

FIG. 7 is a bottom plan view thereof; and,

FIG. 8 is a front, bottom perspective view.

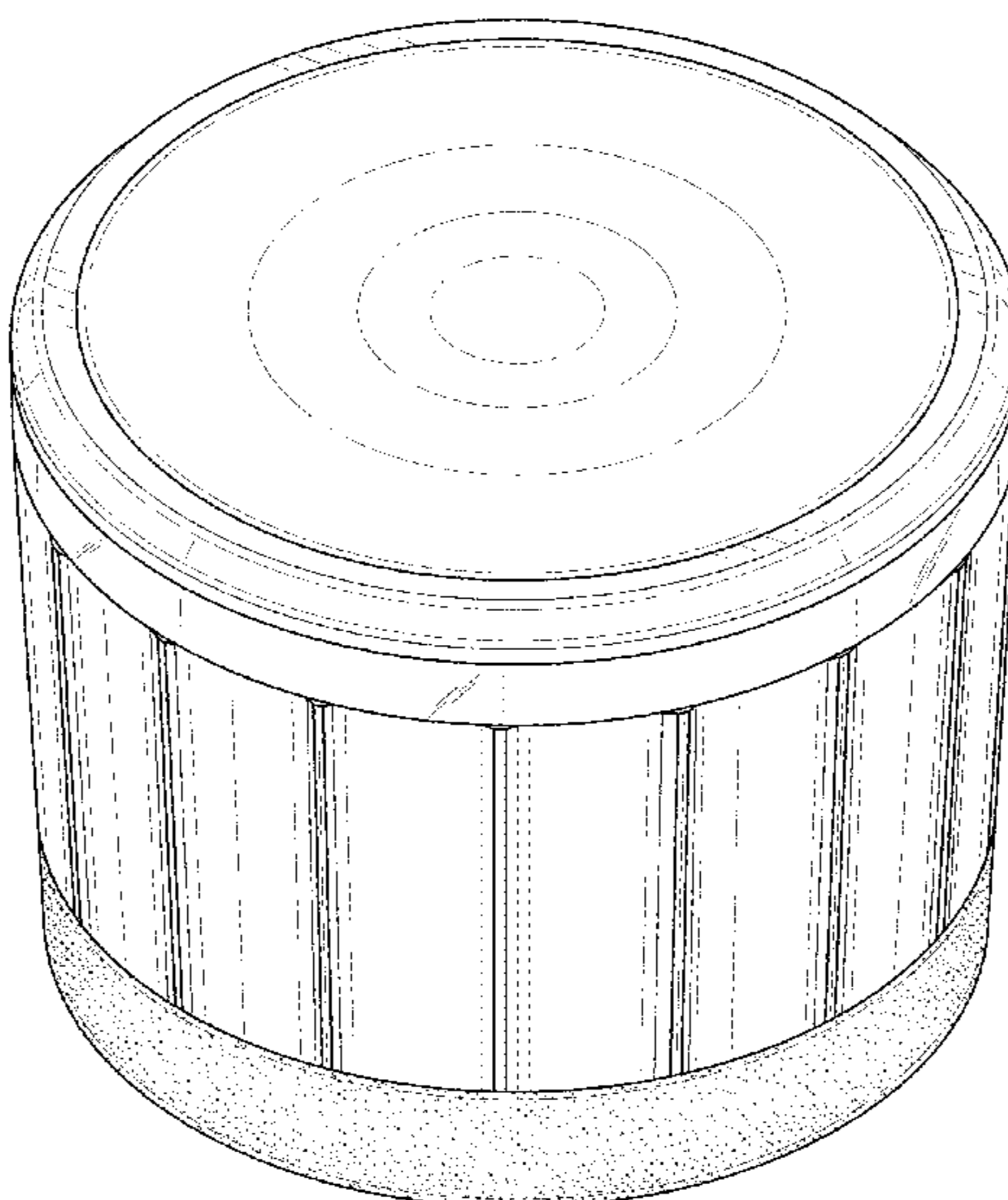
The broken lines of uneven length shown in the drawings illustrate the boundary of the claimed design and forms no part thereof. Contrast in materials is shown by line shading in some areas and stipple shading in other areas.

(56) **References Cited**

U.S. PATENT DOCUMENTS

D480,007 S * 9/2003 Mungur D9/538
D496,101 S * 9/2004 Davison D24/112
D535,189 S * 1/2007 Pitman D9/452
D562,144 S * 2/2008 Lane D9/556
D581,279 S * 11/2008 Oates D28/76
D606,401 S * 12/2009 Kamath D9/453
D628,077 S * 11/2010 Lee D9/439

1 Claim, 8 Drawing Sheets



(56)

References Cited

U.S. PATENT DOCUMENTS

D797,929 S * 9/2017 Davis D24/130
D802,760 S * 11/2017 Neby D24/130
D853,240 S * 7/2019 Steel D9/500

FOREIGN PATENT DOCUMENTS

WO	2016193229	12/2016
WO	2016198516	12/2016
WO	2017032586	3/2017
WO	2018013419	1/2018
WO	2018160425	9/2018
WO	2019036576	2/2019
WO	2019040117	2/2019
WO	2019040118	2/2019
WO	2019040313	2/2019
WO	2019164955	8/2019

OTHER PUBLICATIONS

Design U.S. Appl. No. 29/661,620, filed Aug. 29, 2018 entitled
“Drug Delivery Device” consisting of a 4-page Specification and 25
Pages of Figures.

Design U.S. Appl. No. 29/661,625, filed Aug. 29, 2018 entitled
“Component for a Drug Delivery Device” consisting of a 3-page
Specification and 5 Pages of Figures.

* cited by examiner

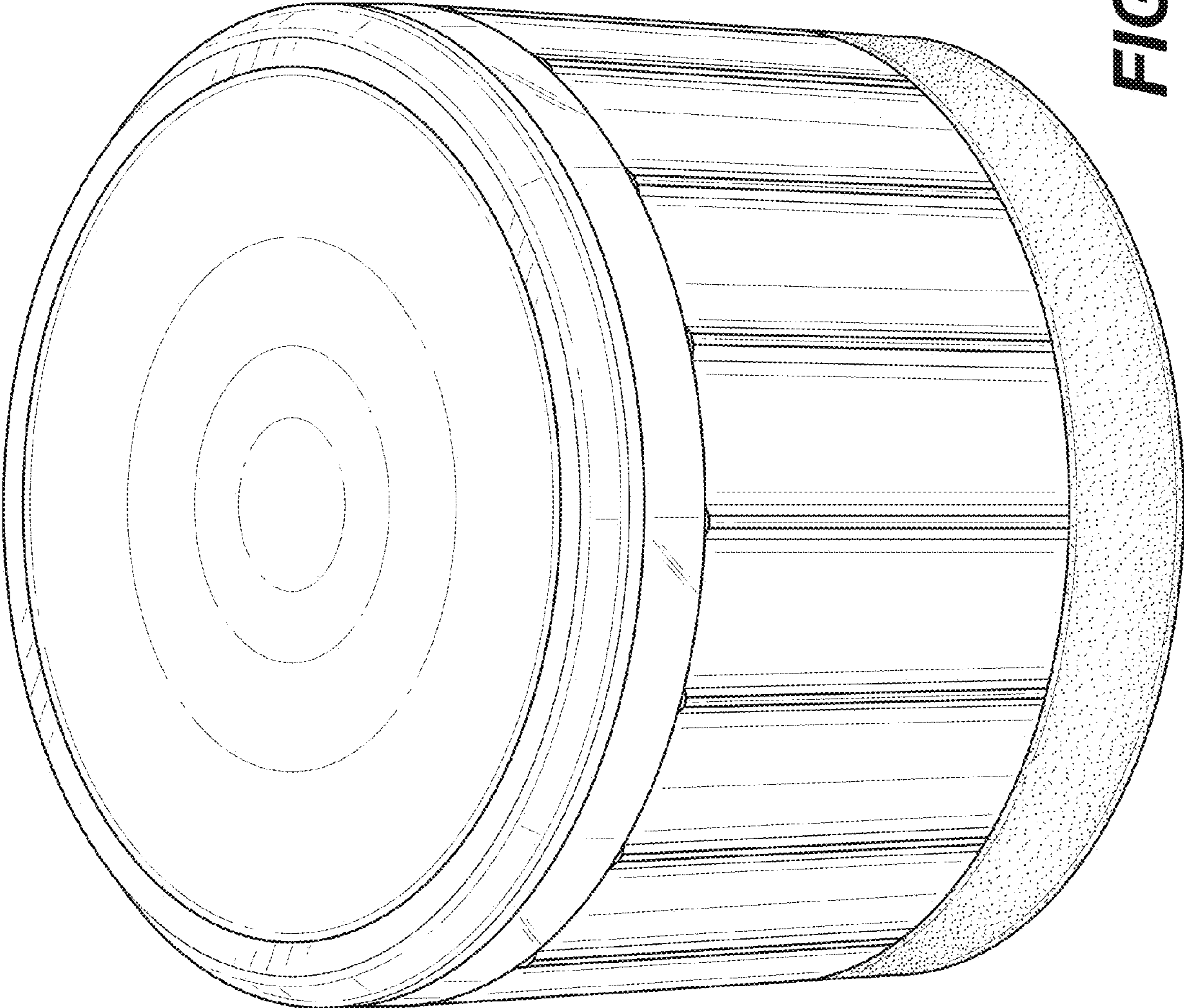


FIG. 1

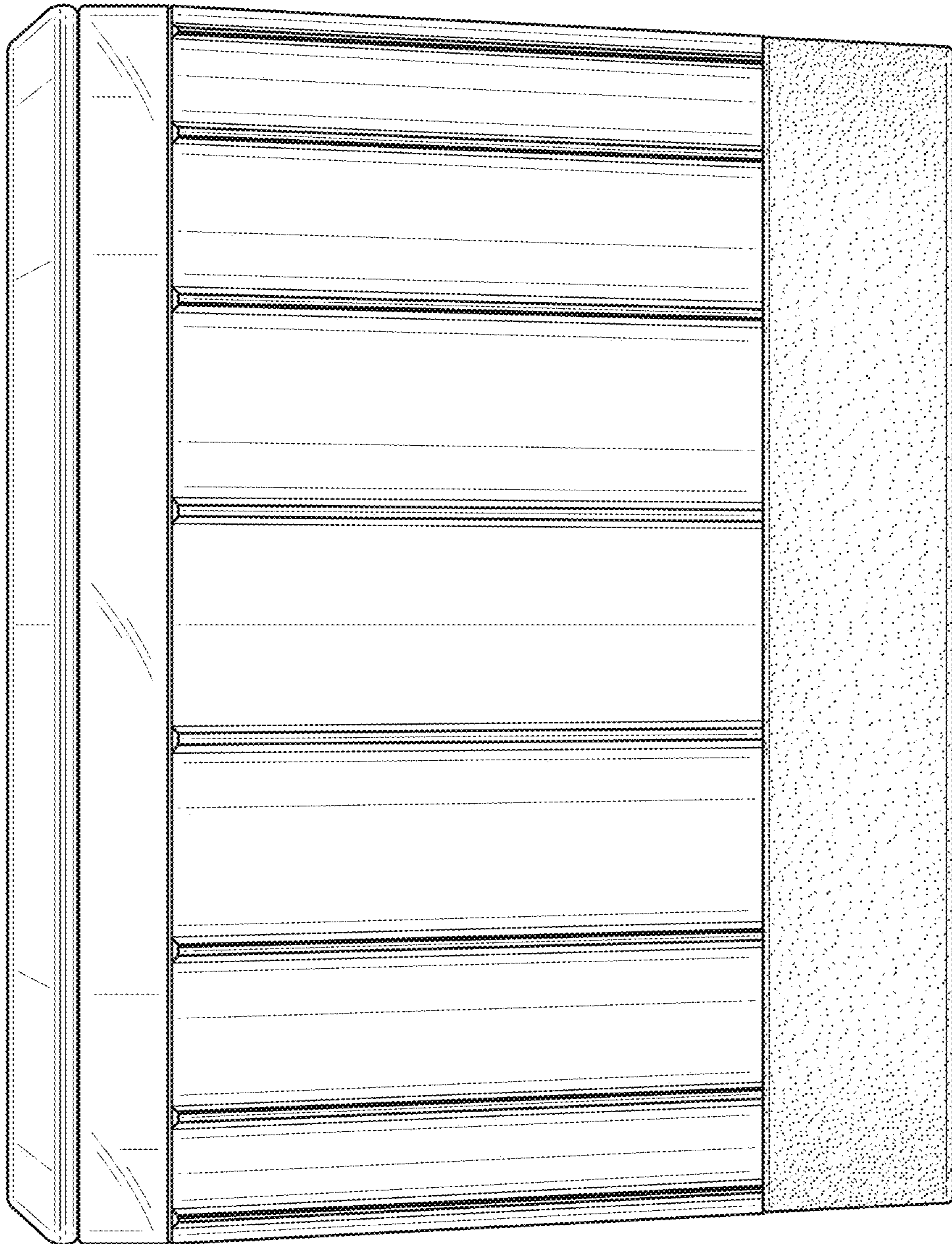


FIG. 2

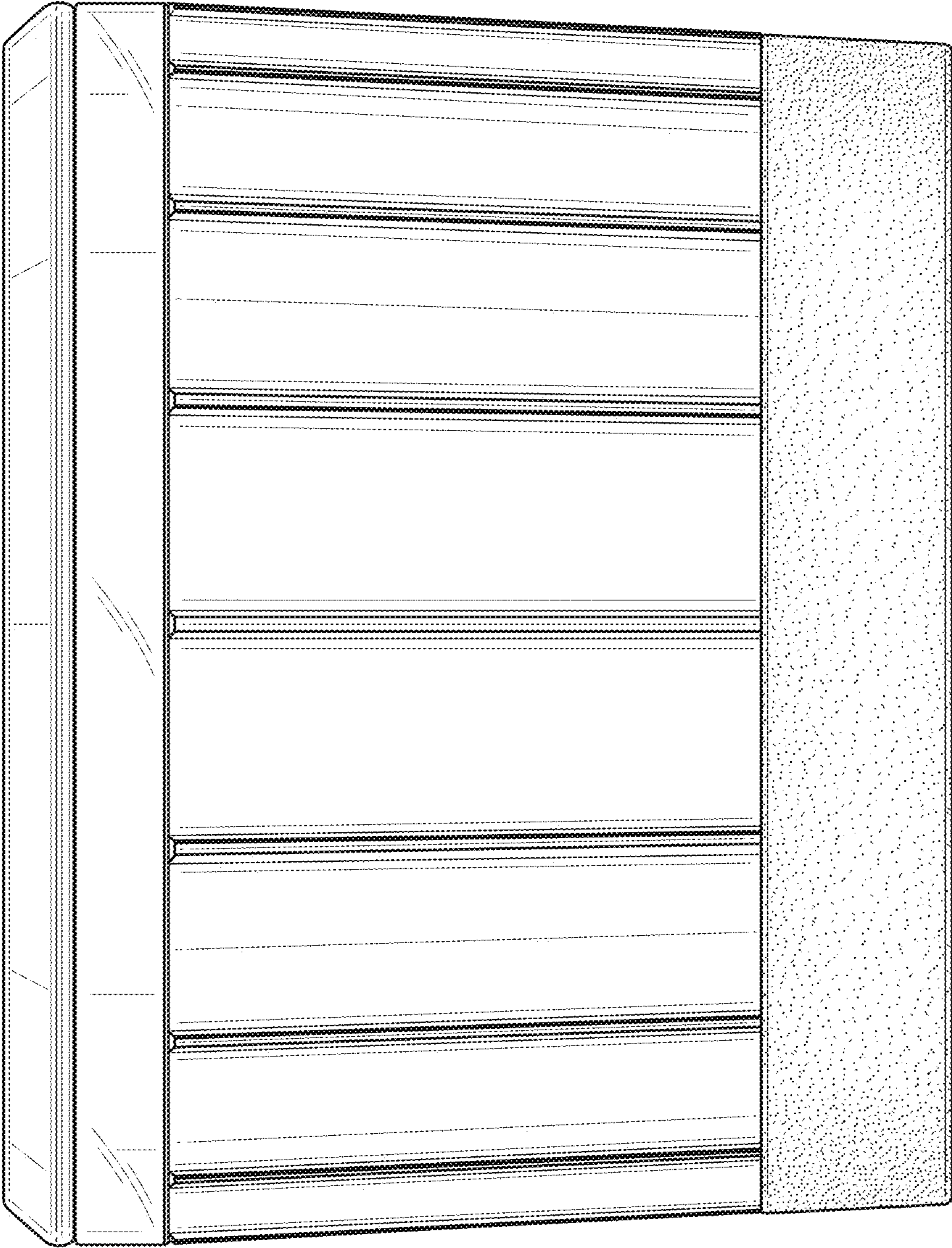


FIG. 3

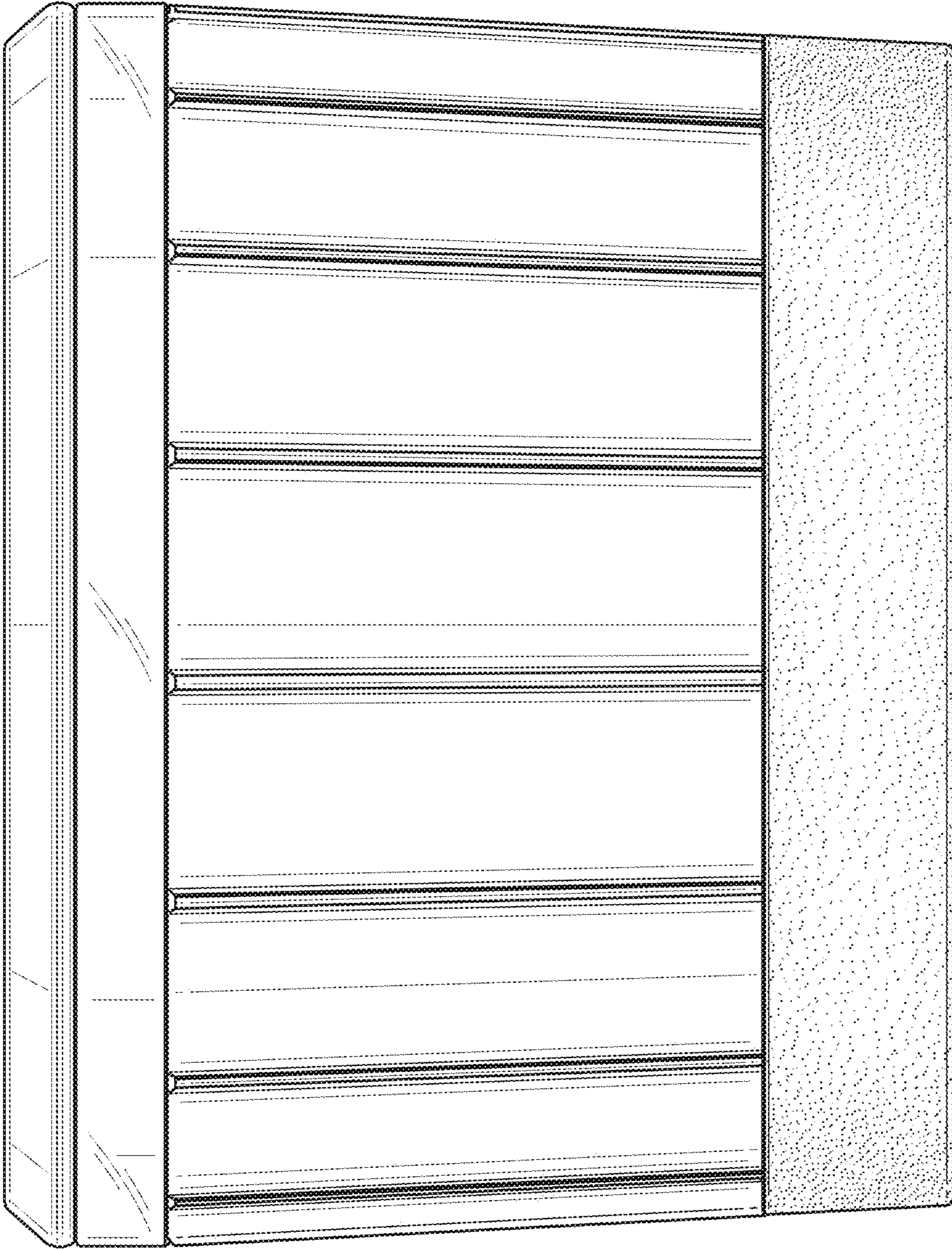


FIG. 4

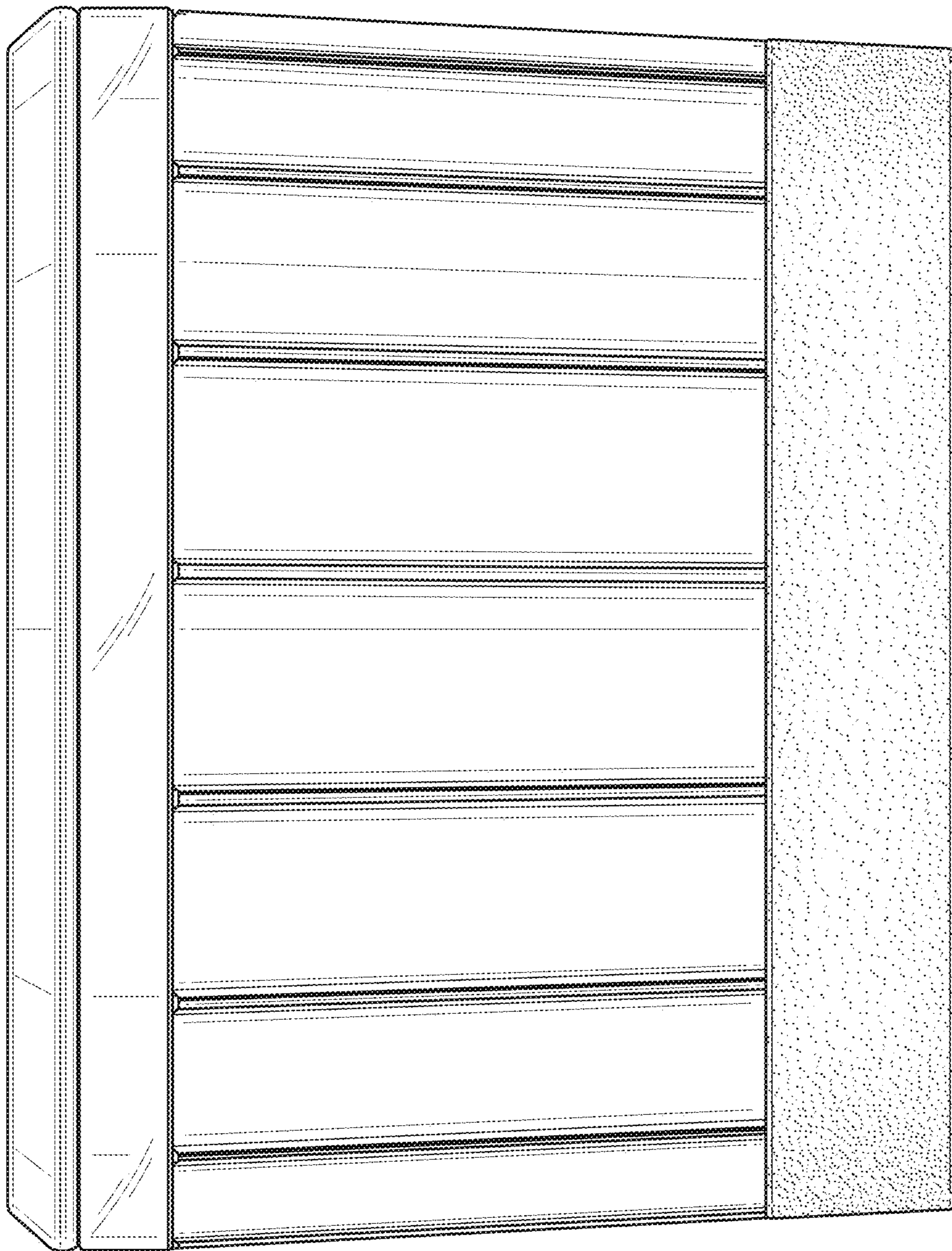


FIG. 5

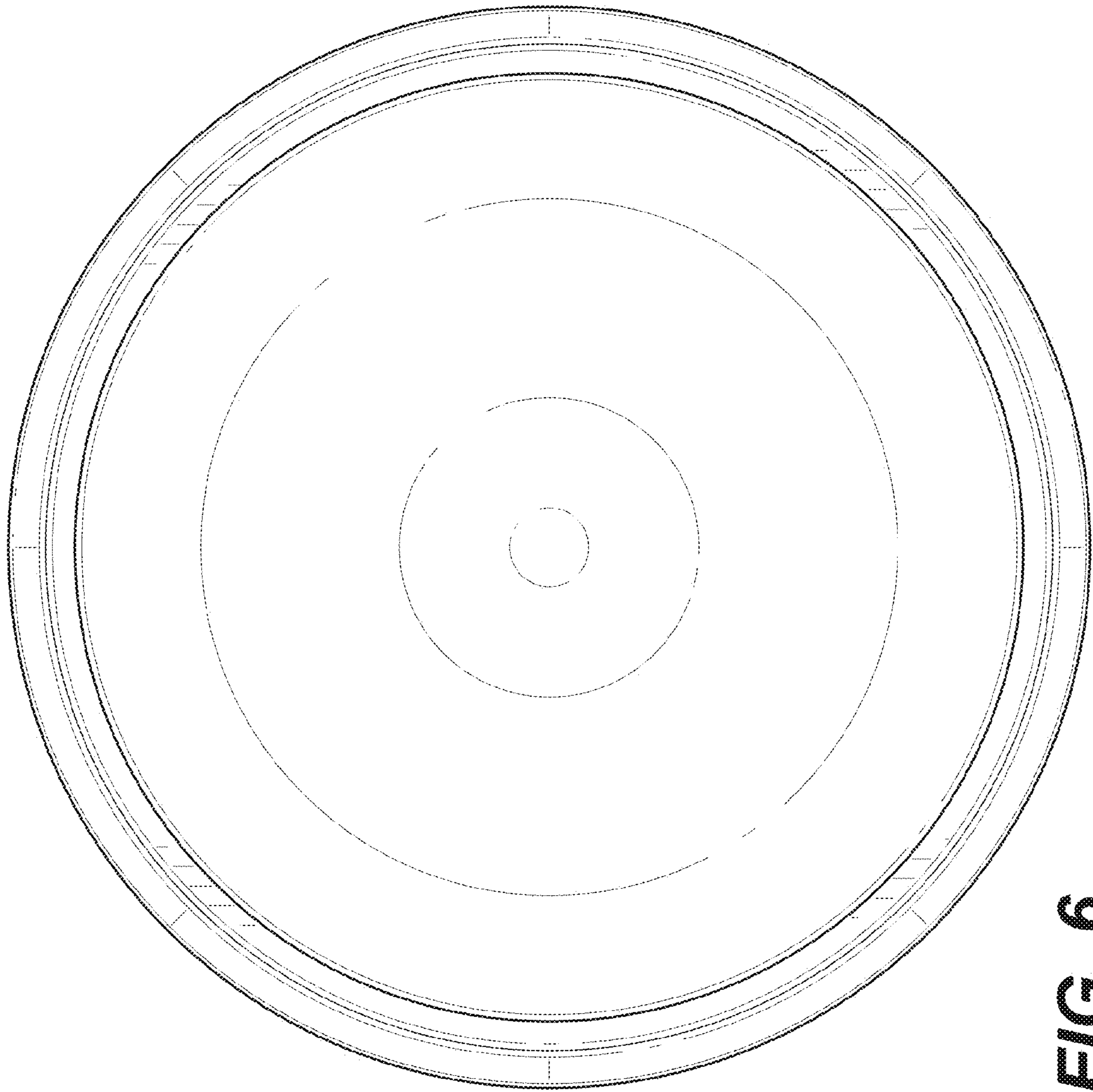


FIG. 6

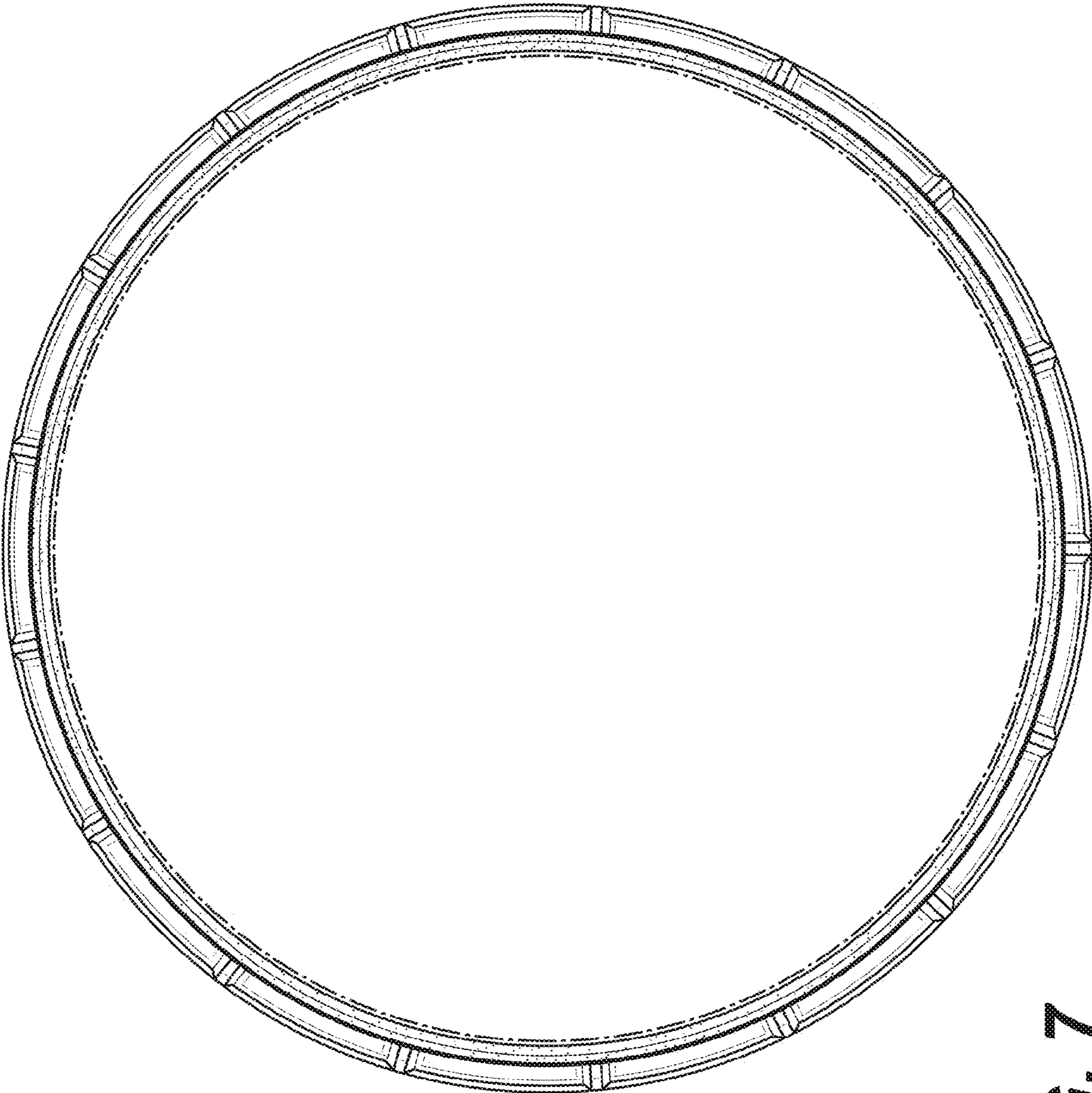


FIG. 7

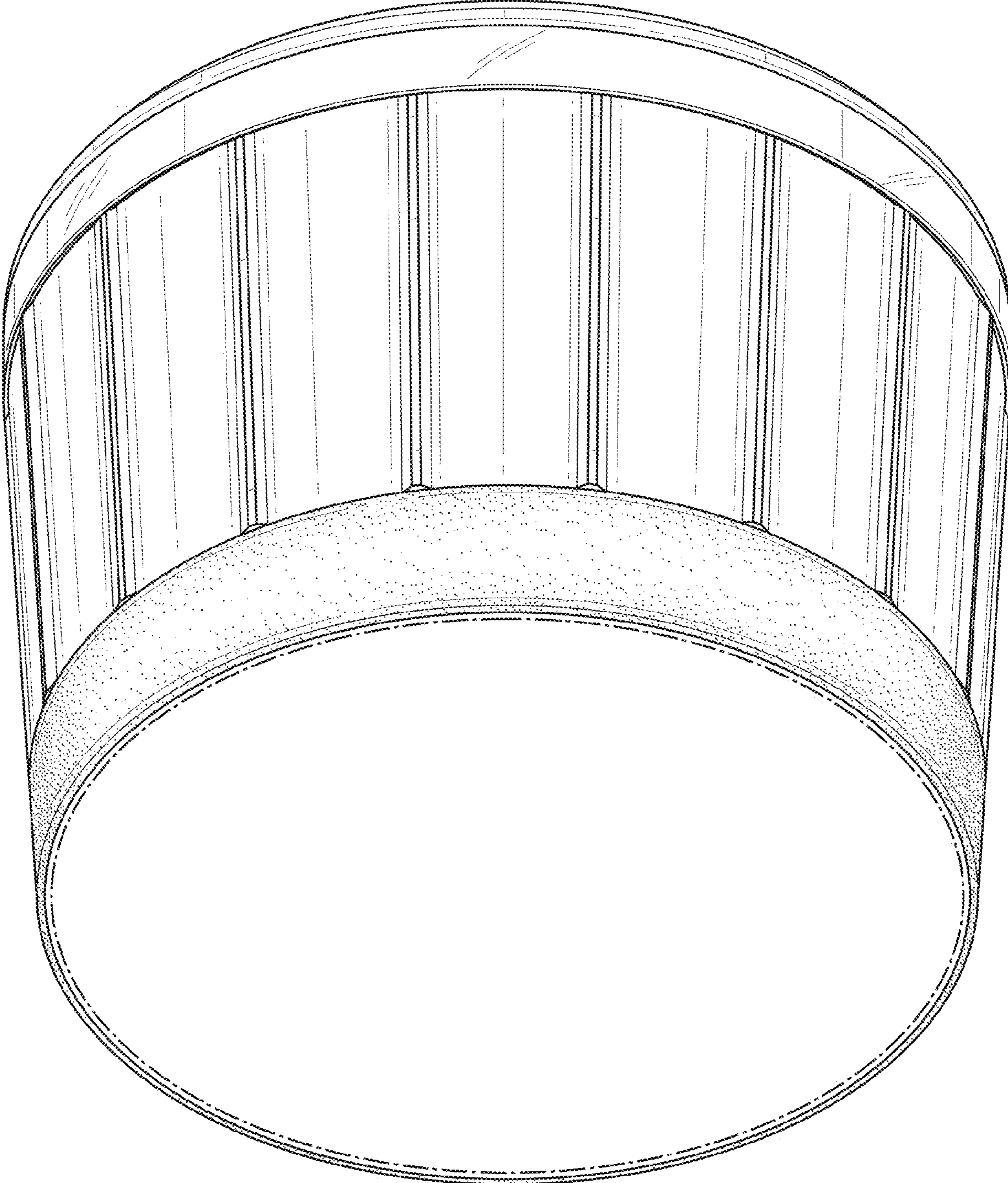


FIG. 8

UNITED STATES PATENT AND TRADEMARK OFFICE
CERTIFICATE OF CORRECTION

PATENT NO. : D903,857 S
APPLICATION NO. : 29/661604
DATED : December 1, 2020
INVENTOR(S) : Kathryn Amanda Levy

Page 1 of 1

It is certified that error appears in the above-identified patent and that said Letters Patent is hereby corrected as shown below:

On the Title Page

Column 2, Line 10 in the DESCRIPTION section, delete "view" and insert --view thereof--.

Signed and Sealed this
Sixteenth Day of February, 2021



Drew Hirshfeld
*Performing the Functions and Duties of the
Under Secretary of Commerce for Intellectual Property and
Director of the United States Patent and Trademark Office*