



US00D903856S

(12) **United States Design Patent** (10) **Patent No.:** **US D903,856 S**
Nicholas et al. (45) **Date of Patent:** **** Dec. 1, 2020**

(54) **AUTO-INJECTOR**

(71) Applicant: **Regeneron Pharmaceuticals, Inc.**,
Tarrytown, NY (US)

(72) Inventors: **Courtney Nicholas**, East Greenbush,
NY (US); **Scott Barton**, Clifton Park,
NY (US); **Bart Burgess**, Glenmont, NY
(US); **Alexei Goraltchouk**, Cambridge,
MA (US); **Alex Zuyev**, Frankfurt am
Main (DE)

(73) Assignee: **Regeneron Pharmaceuticals, Inc.**,
Tarrytown, NY (US)

(**) Term: **15 Years**

(21) Appl. No.: **29/655,109**

(22) Filed: **Jun. 29, 2018**

(51) **LOC (12) Cl.** **24-02**

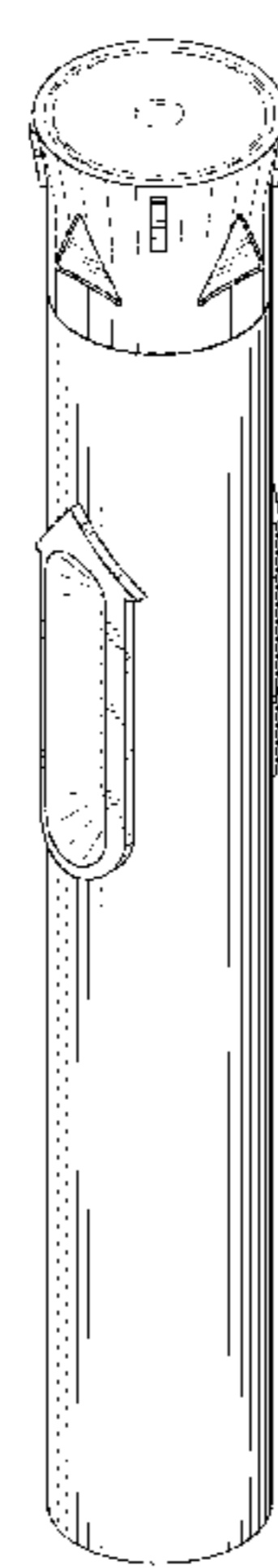
(52) **U.S. Cl.**
USPC **D24/113**

(58) **Field of Classification Search**
USPC D24/112-114, 108, 133, 130, 127, 186,
D24/152; 606/181, 185; 604/264, 272,
604/187, 181, 184, 227
CPC A61M 5/178; A61M 3/00; A61M 5/20;
A61M 5/31; A61M 5/3146; A61M
5/3129; A61M 5/3148; A61M 5/315
See application file for complete search history.

5,843,036 A 12/1998 Olive et al.
5,997,513 A 12/1999 Smith et al.
D426,299 S 6/2000 Bydlon et al.
D428,651 S 7/2000 Andersson et al.
6,206,855 B1 3/2001 Kunkel et al.
D462,760 S 9/2002 Ahlgrim et al.
D479,599 S 9/2003 Bainton
D479,601 S 9/2003 Tyce
D479,602 S 9/2003 Bainton
D479,603 S 9/2003 Tyce
D479,747 S 9/2003 Bainton
D479,748 S 9/2003 Tyce
D481,120 S 10/2003 Hawley et al.
D488,864 S 4/2004 Fago et al.
D490,149 S 5/2004 Hawley et al.
D490,150 S 5/2004 Hawley et al.
D490,151 S 5/2004 Hawley et al.
D492,027 S 6/2004 Tyce et al.
D492,405 S 6/2004 Bainton
D493,526 S 7/2004 Hwang
7,189,217 B2 3/2007 Chang et al.
7,307,265 B2 12/2007 Polsinelli et al.
D561,894 S 2/2008 Hudson
7,338,474 B2 3/2008 Kirk
7,414,254 B2 8/2008 Polsinelli et al.
D581,047 S 11/2008 Koshidaka
7,449,012 B2 11/2008 Young et al.
D598,539 S 8/2009 Tyce
D599,008 S 8/2009 Tyce
D599,009 S 8/2009 Tyce
D599,010 S 8/2009 Tyce
D599,011 S 8/2009 Tyce
D600,794 S 9/2009 Tyce
D600,795 S 9/2009 Tyce
D606,649 S 12/2009 Tyce
D606,650 S 12/2009 Tyce
7,635,348 B2 12/2009 Raven et al.
D608,442 S 1/2010 Tyce
D610,251 S 2/2010 Tyce
D610,252 S 2/2010 Tyce
D610,676 S 2/2010 Tyce
D612,486 S 3/2010 Van der Stappen
7,682,155 B2 3/2010 Raven et al.
D619,247 S 7/2010 Loe, Jr.
7,794,432 B2 9/2010 Young et al.
7,846,136 B2 12/2010 Witowski
7,905,352 B2 3/2011 Wyrick
D641,077 S 7/2011 Sanders et al.
D651,305 S 12/2011 Hawley et al.
8,269,201 B2 9/2012 Fago et al.
D671,638 S 11/2012 Young et al.
D676,957 S 2/2013 Schneider et al.
8,376,998 B2 2/2013 Daily et al.

(56) **References Cited**
U.S. PATENT DOCUMENTS

4,046,145 A 9/1977 Choksi et al.
4,840,185 A 6/1989 Hernandez
4,900,309 A 2/1990 Netherton et al.
4,986,817 A 1/1991 Code
5,147,328 A 9/1992 Dragosits et al.
5,336,197 A 8/1994 Kuracina et al.
5,509,903 A 4/1996 Grendahl et al.
5,519,931 A 5/1996 Reich
5,554,127 A 9/1996 Crouther et al.
5,554,133 A 9/1996 Haffner et al.
5,716,346 A 2/1998 Farris



D677,380 S 3/2013 Julian et al.
D687,543 S * 8/2013 Pala D24/113
D688,790 S 8/2013 Guarraia et al.
D688,791 S 8/2013 Guarraia et al.
D688,793 S 8/2013 Guarraia et al.
D690,416 S 9/2013 Cappello et al.
8,529,510 B2 9/2013 Giambattista et al.
D692,129 S 10/2013 Dubuc et al.
D694,879 S 12/2013 Julian et al.
D695,892 S 12/2013 Cappello et al.
D696,397 S 12/2013 Guarraia et al.
D696,771 S 12/2013 Schneider et al.
D696,773 S * 12/2013 Schneider D24/113
D696,774 S * 12/2013 Guarraia D24/113
D696,775 S * 12/2013 Guarraia D24/113
D697,205 S * 1/2014 Schneider D24/113
D703,314 S * 4/2014 Schneider D24/113
D707,351 S 6/2014 Kunze
D707,352 S 6/2014 Liu et al.
D708,317 S * 7/2014 Schneider D24/113
8,801,679 B2 8/2014 Iio et al.
8,821,451 B2 9/2014 Daniel
D714,932 S 10/2014 Hall et al.
D715,422 S 10/2014 Hall et al.
D716,442 S 10/2014 Magome et al.
8,864,718 B2 10/2014 Karlsen et al.
8,870,827 B2 10/2014 Young et al.
D717,428 S 11/2014 Sendatzki et al.
D717,940 S 11/2014 Magome et al.
8,888,713 B2 11/2014 Crawford et al.
9,022,982 B2 5/2015 Karlsson et al.
9,078,973 B2 7/2015 Harms et al.
9,132,236 B2 9/2015 Karlsson et al.
D740,937 S 10/2015 Schneider et al.
9,199,038 B2 12/2015 Daniel
9,216,251 B2 12/2015 Daniel
9,220,841 B2 12/2015 Daniel
9,220,847 B2 12/2015 Holmqvist et al.
9,247,899 B2 2/2016 Shaw et al.
D752,211 S 3/2016 Sanders et al.
D755,369 S 5/2016 Sanders et al.
D755,370 S 5/2016 Riess et al.
D757,254 S 5/2016 Wohlfahrt et al.
D757,255 S 5/2016 Wohlfahrt et al.
D758,567 S 6/2016 Wohlfahrt et al.
D758,568 S 6/2016 Wohlfahrt et al.
D758,569 S 6/2016 Wohlfahrt et al.
D764,657 S 8/2016 Bokelman et al.
9,468,722 B2 10/2016 Olson
D773,039 S 11/2016 Sanders et al.
D773,648 S 12/2016 Wohlfahrt et al.
D774,641 S 12/2016 Miggels et al.
D777,907 S 1/2017 Amend Kwasnik et al.
9,566,380 B1 2/2017 Tcholakian
D780,909 S * 3/2017 Burkett D24/113
9,586,010 B2 3/2017 Mesa et al.
9,604,004 B2 3/2017 Jakobsen
D785,784 S 5/2017 Jones et al.
D787,666 S 5/2017 Ohashi
D794,178 S 8/2017 Daniel et al.
D794,777 S 8/2017 Daniel et al.
D800,897 S 10/2017 Aneas
D810,282 S * 2/2018 Ratjen D24/113
D814,022 S * 3/2018 Boyaval D24/113
D818,587 S 5/2018 Shang et al.
D827,127 S * 8/2018 Donnelly D24/113
D830,539 S * 10/2018 Boyaval D24/113
10,149,945 B2 * 12/2018 Moser A61M 5/28
2004/0116875 A1 6/2004 Fischer et al.
2007/0039156 A1 2/2007 Reich
2007/0113861 A1 5/2007 Knudsen et al.
2008/0009808 A1 1/2008 Berler
2008/0269692 A1 10/2008 James et al.
2008/0289984 A1 11/2008 Raven et al.
2013/0030375 A1 1/2013 Daily et al.
2013/0041328 A1 2/2013 Daniel
2013/0041347 A1 2/2013 Daniel
2013/0281934 A1 10/2013 Wilmot et al.
2014/0358037 A1 12/2014 Crawford et al.

2015/0011944 A1 1/2015 Young et al.
2015/0045742 A1 2/2015 Cheung
2015/0051580 A1 2/2015 Shain et al.
2015/0065960 A1 3/2015 Osman
2015/0073383 A1 3/2015 Wilmot et al.
2015/0080807 A1 3/2015 Schneider et al.
2015/0352278 A1 12/2015 Morita et al.
2015/0374918 A1 12/2015 Kumar et al.
2016/0051760 A1 2/2016 Krusell et al.
2016/0051764 A1 2/2016 Dreier et al.
2016/0067407 A1 3/2016 Daniel
2016/0089498 A1 3/2016 Daniel
2016/0158460 A1 6/2016 Mesa et al.
2016/0213845 A1 7/2016 Holmqvist
2016/0263327 A1 9/2016 Radmer et al.
2016/0279334 A1 9/2016 Daniel
2016/0317745 A1 11/2016 Kjeldsen et al.
2016/0375196 A1 12/2016 Wilmot et al.
2018/0311442 A1 11/2018 Saussaye et al.
2018/0353692 A1 12/2018 Saussaye et al.

FOREIGN PATENT DOCUMENTS

EP 2716318 A1 4/2014
EP 004420388-0001 10/2017
EP 004420388-0002 10/2017
EP 004420388-0003 10/2017
EP 004420388-0004 10/2017
EP 004420388-0005 10/2017
EP 004420388-0006 10/2017
EP 004420388-0007 10/2017
EP 004420388-0008 10/2017
EP 004420388-0009 10/2017
EP 004420388-0010 10/2017
EP 004420388-0011 10/2017
FR 3043562 A1 5/2017
JP 1401278 11/2010
JP 1401279 11/2010
JP 1401281 11/2010
JP 1401282 11/2010
JP 1401283 11/2010
JP 1587411 10/2017
WO WO 2015/026737 A1 2/2015

OTHER PUBLICATIONS

SHL Medical Products Molly Auto Injectors (http://www.shl-group.com/Products_SHLMedical_AutoInjectors_Molly.html), last accessed Jul. 26, 2018.
International Search Report and Written Opinion issued in PCT/US2018/040282 dated Nov. 13, 2018 (13 pages).
EUIPO Design Gazette, 004420388-0001, HH29206315 (Oct. 25, 2017).
EUIPO Design Gazette, 004420388-0011, HH29206317 (Oct. 25, 2017).
International Bureau Design Gazette, DM/092744, HH29502547 (Sep. 6, 2016).
International Bureau Design Gazette, DM/098096, HH29513908 (Sep. 11, 2017).

* cited by examiner

Primary Examiner — David G Muller
(74) *Attorney, Agent, or Firm* — Bookoff McAndrews, PLLC

(57) CLAIM

The ornamental design for an auto-injector, as shown and described.

DESCRIPTION

FIG. 1 is a front right perspective view of an auto-injector in a capped configuration showing our new design;

FIG. 2 is a front elevation view thereof;
FIG. 3 is a rear elevation view thereof;
FIG. 4 is a left side view thereof;
FIG. 5 is a right side view thereof;
FIG. 6 is a top plan view thereof;
FIG. 7 is a bottom view thereof;
FIG. 8 is a front right perspective view of a cap of the auto-injector in an uncapped configuration showing our new design;
FIG. 9 is a front elevation view of FIG. 8;
FIG. 10 is a rear elevation view of FIG. 8;
FIG. 11 is a left side view of FIG. 8;
FIG. 12 is a right side view of FIG. 8;
FIG. 13 is a top view of FIG. 8;
FIG. 14 is a bottom view of FIG. 8;
FIG. 15 is a front right perspective view of a body of the auto-injector in an uncapped configuration showing our new design;
FIG. 16 is a front elevation view of FIG. 15;
FIG. 17 is a rear elevation view of FIG. 15;
FIG. 18 is a left side view of FIG. 15;
FIG. 19 is a right side view of FIG. 15;
FIG. 20 is a top view of FIG. 15; and,
FIG. 21 is a bottom view of FIG. 15.

The broken lines of even length shown in the drawings illustrate portions of the auto-injector that form no part of the claimed design. The broken lines of uneven length define the boundaries of the claimed design.

1 Claim, 10 Drawing Sheets

FIG. 1

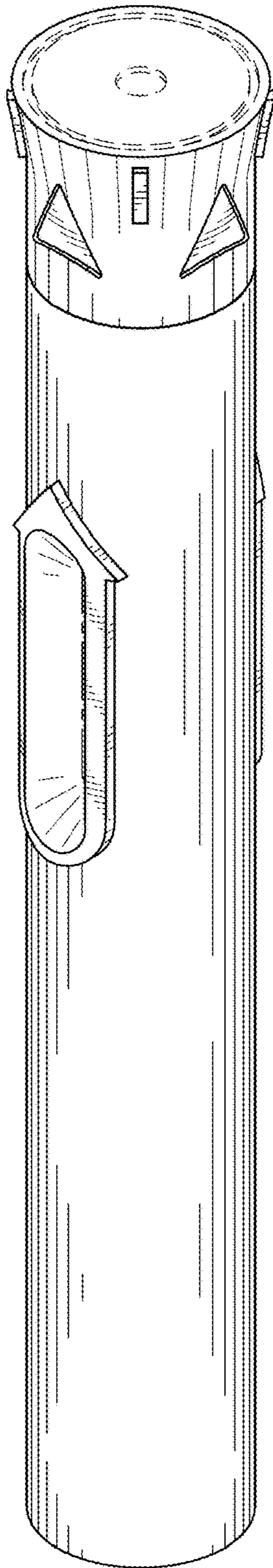


FIG. 2

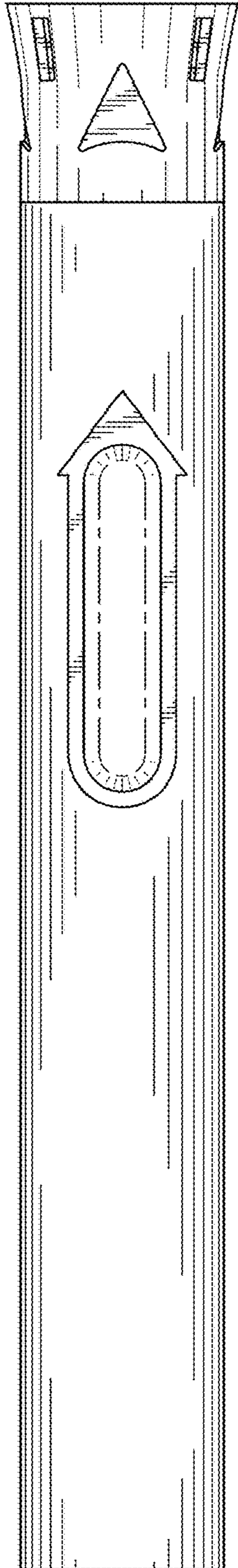


FIG. 3

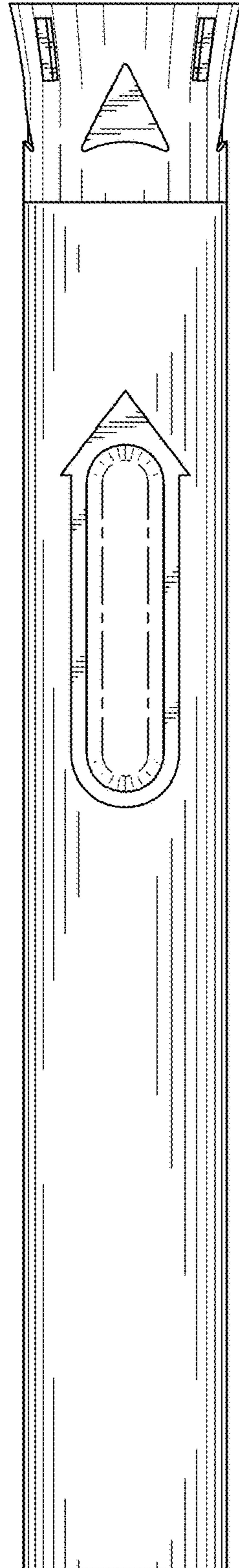


FIG. 4

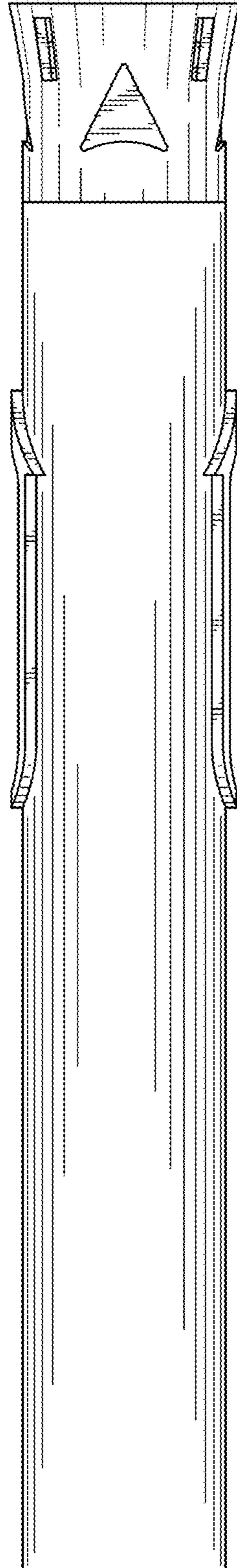


FIG. 5

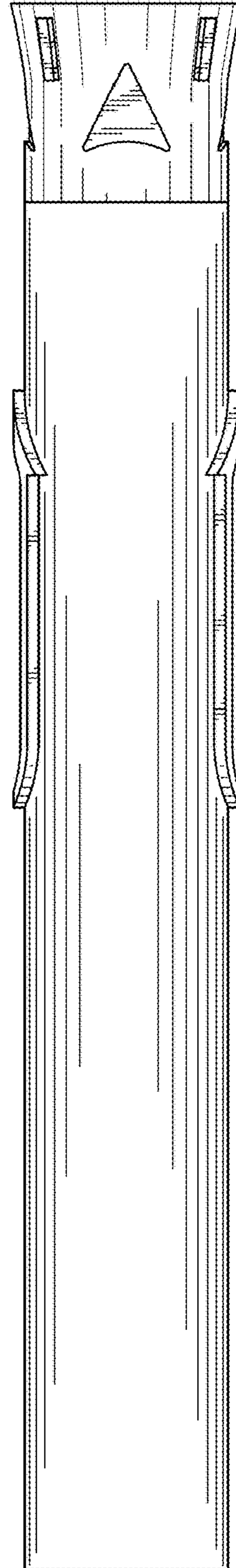


FIG. 6

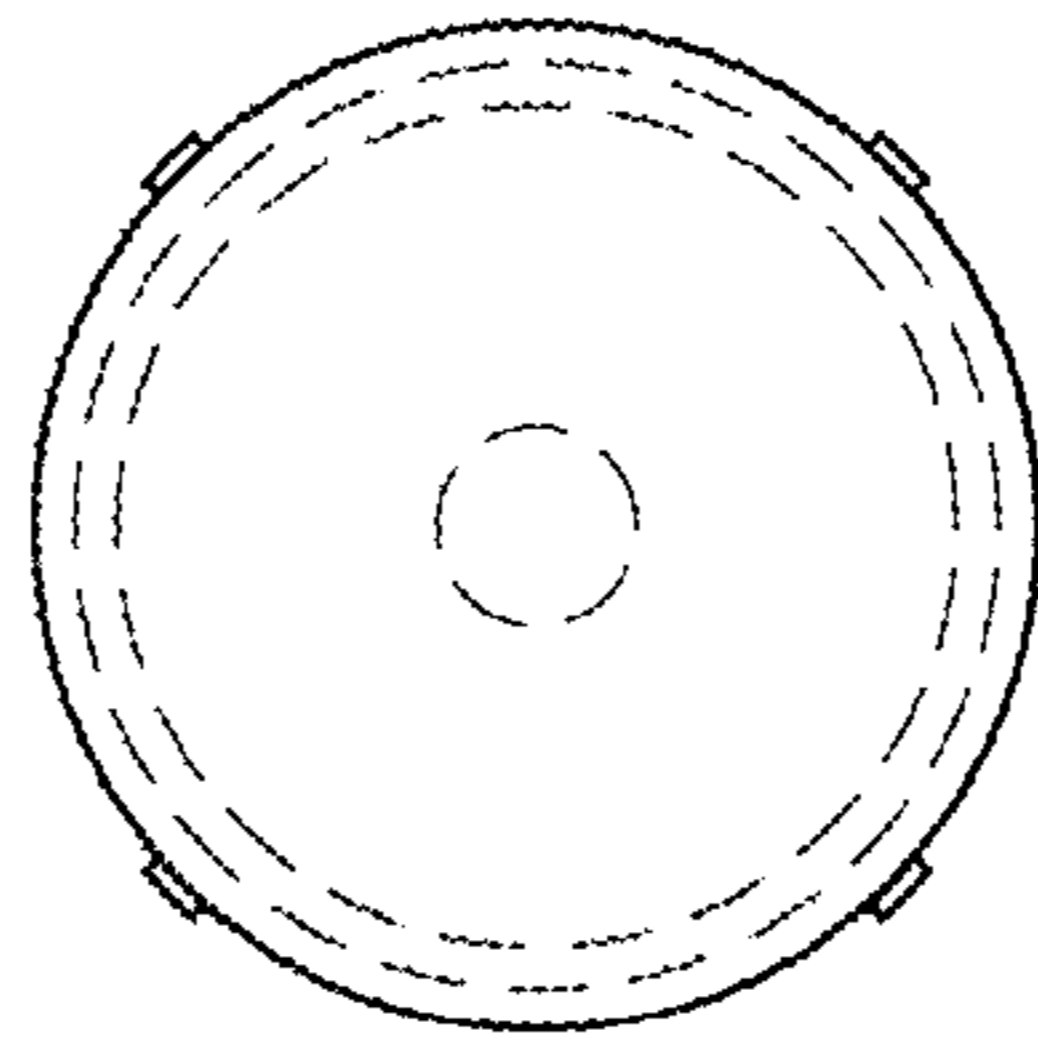


FIG. 7

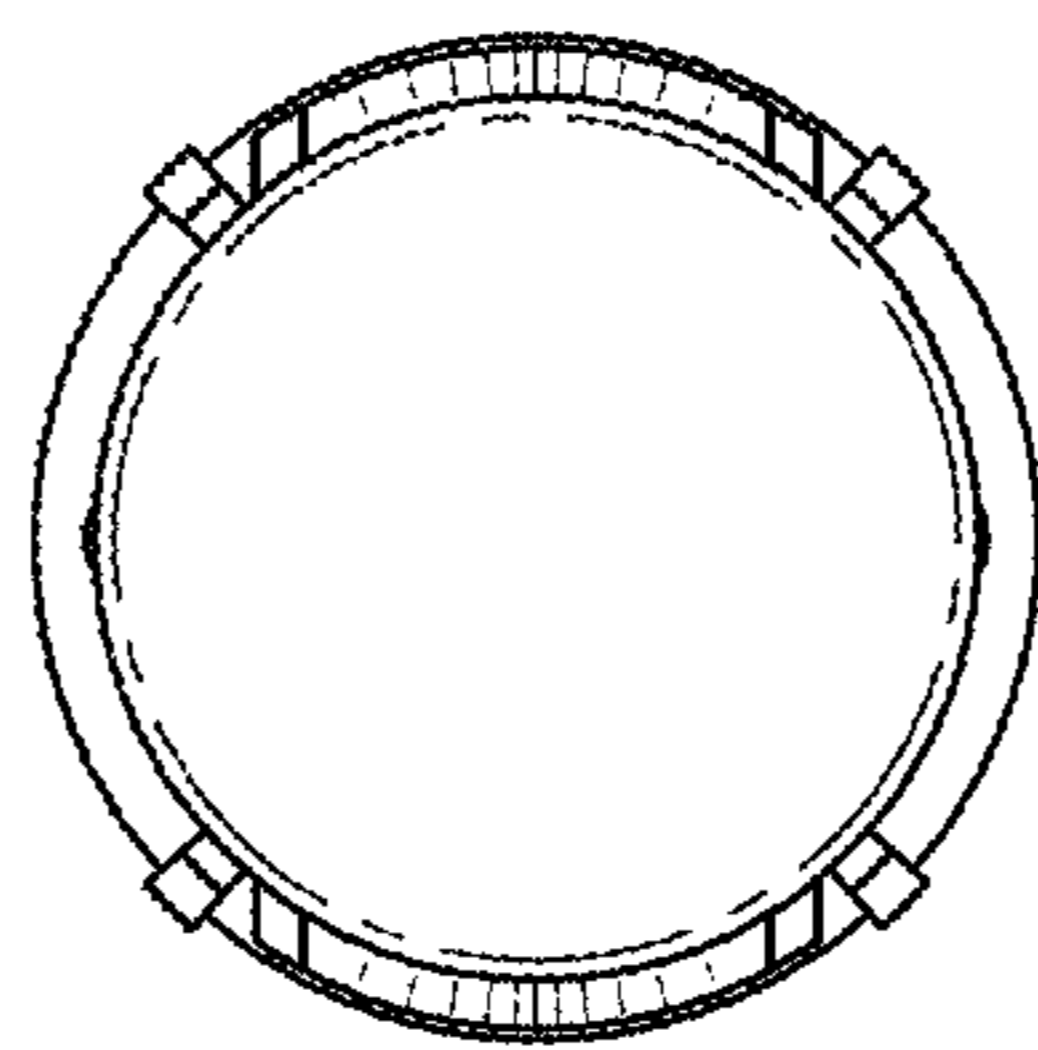


FIG. 8

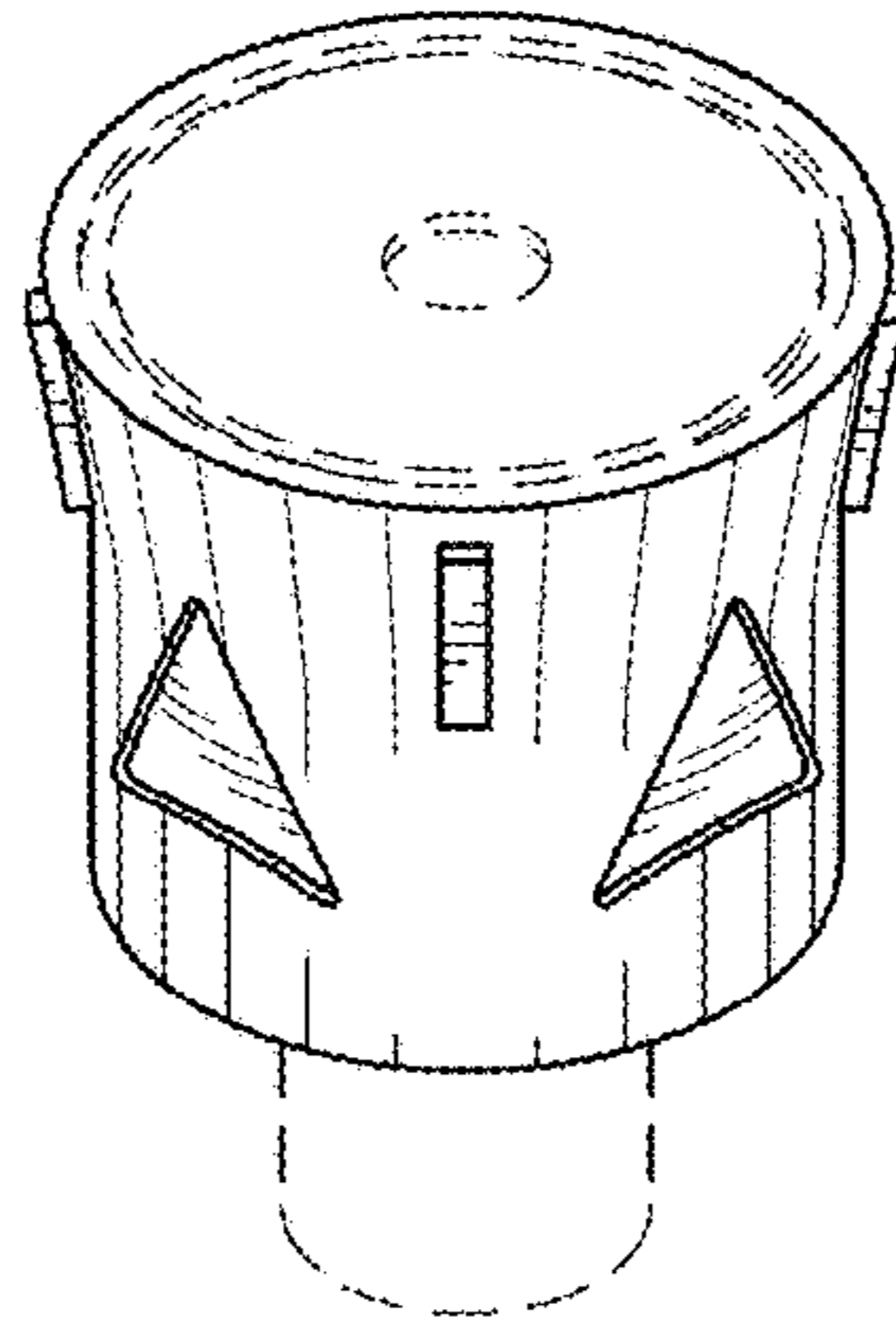


FIG. 9

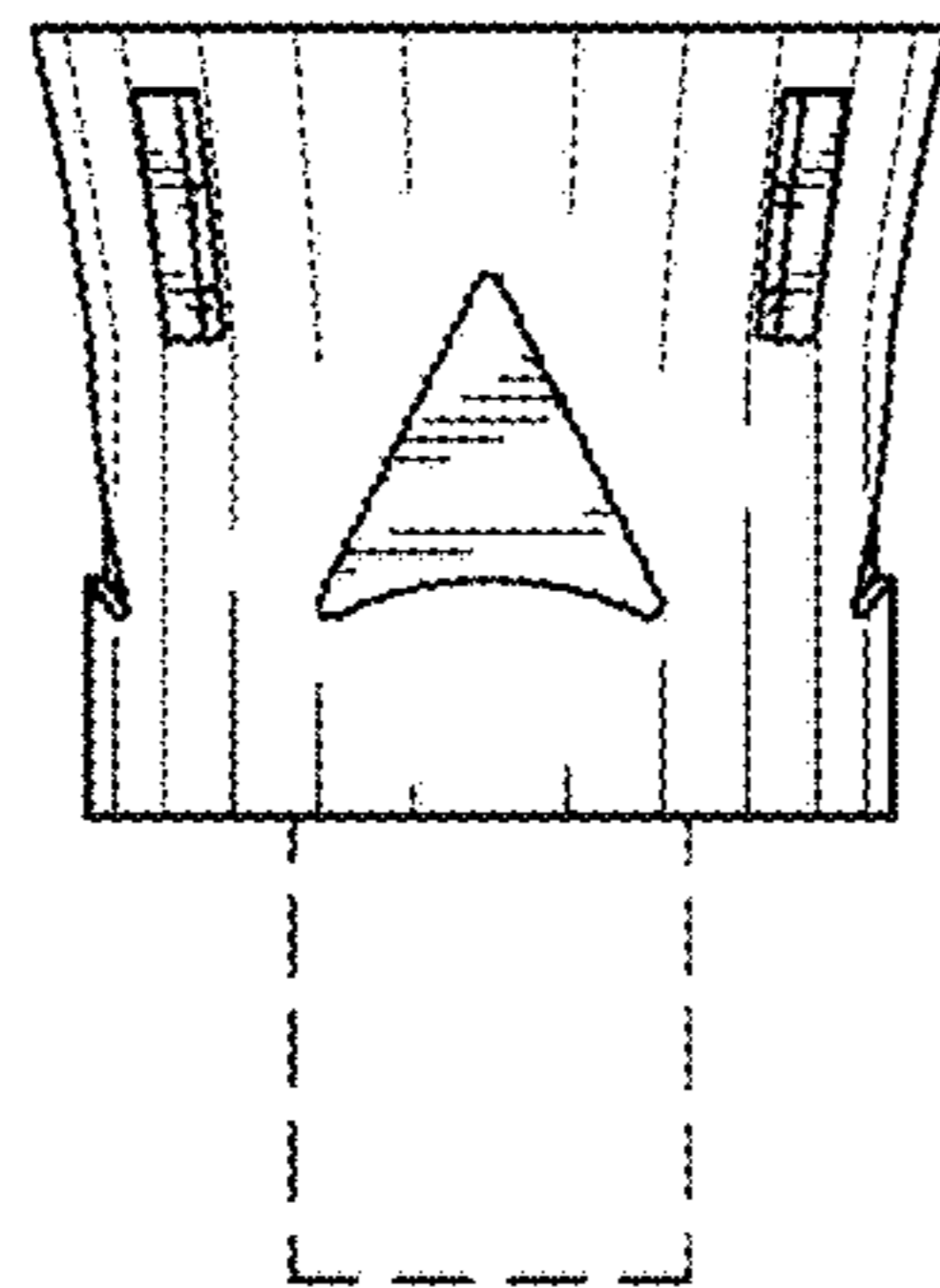


FIG. 10

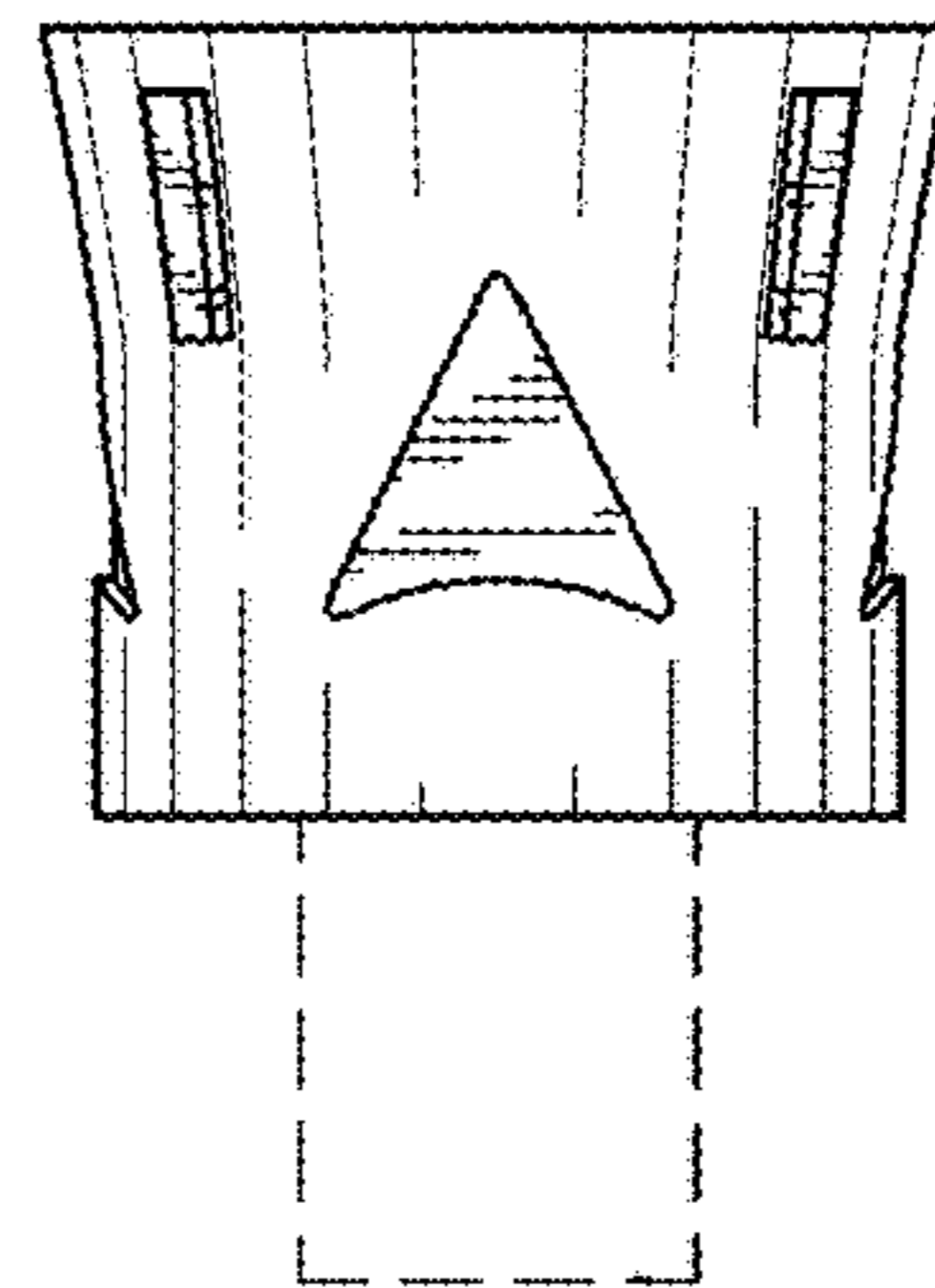


FIG. 11

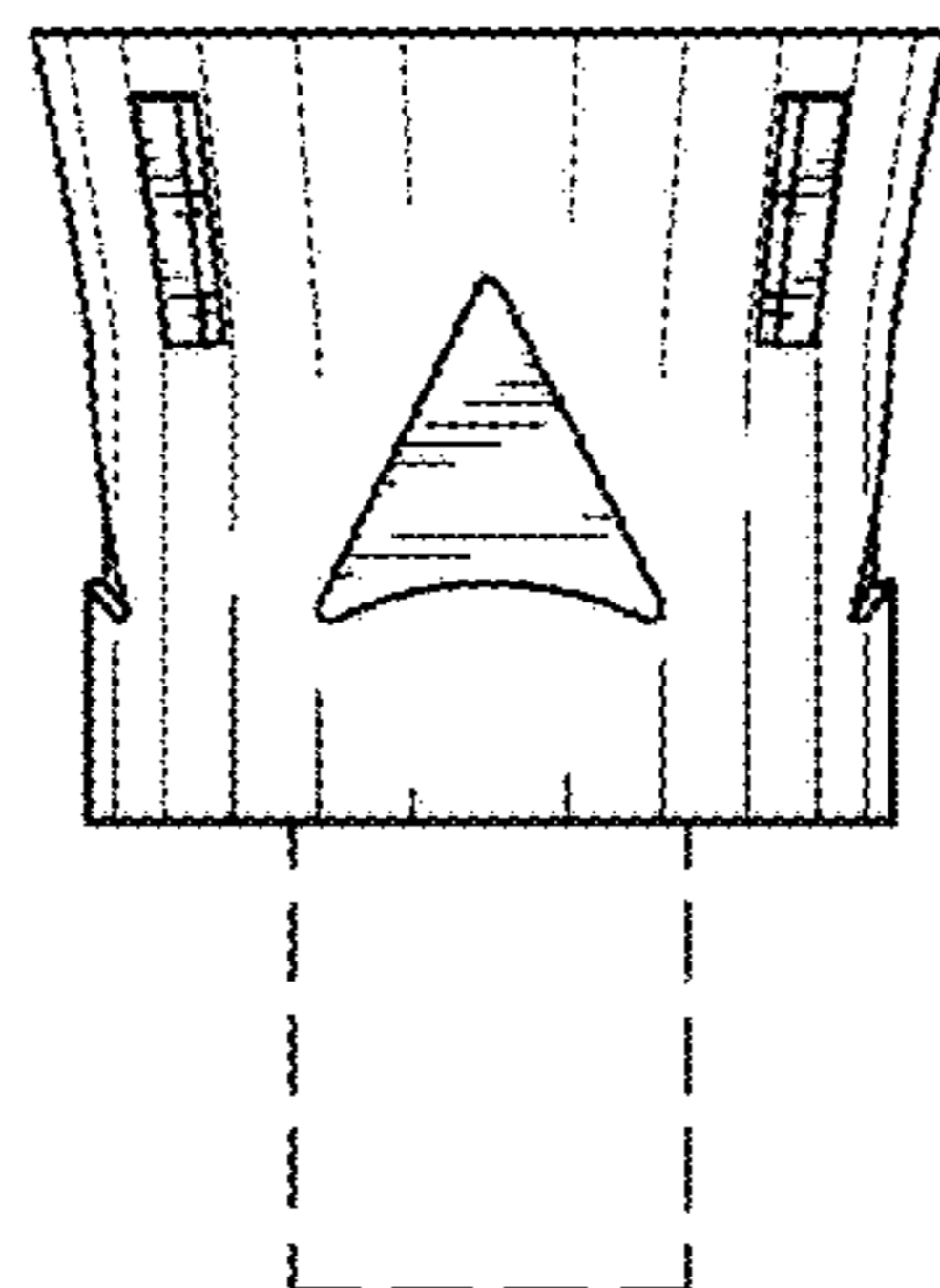


FIG. 12

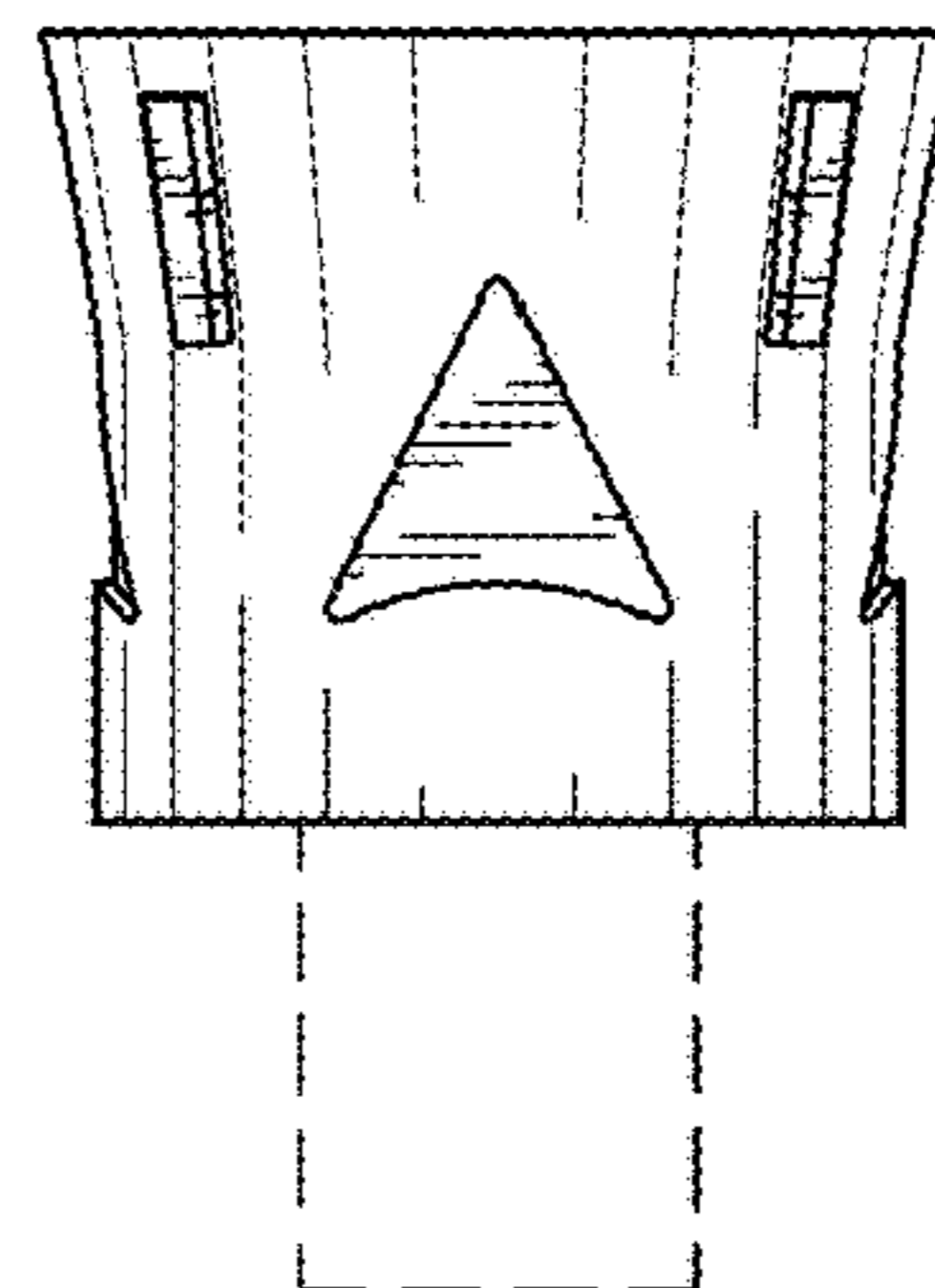


FIG. 13

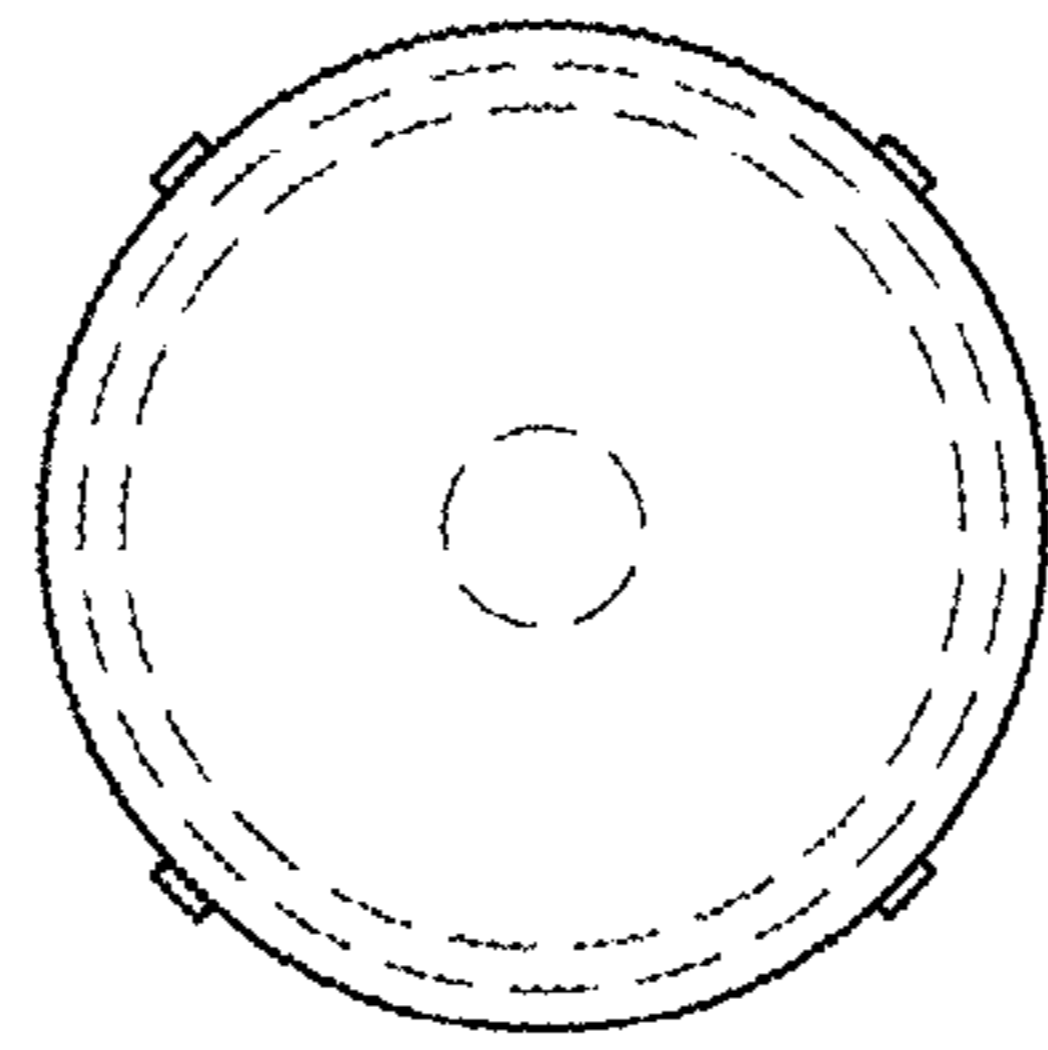


FIG. 14

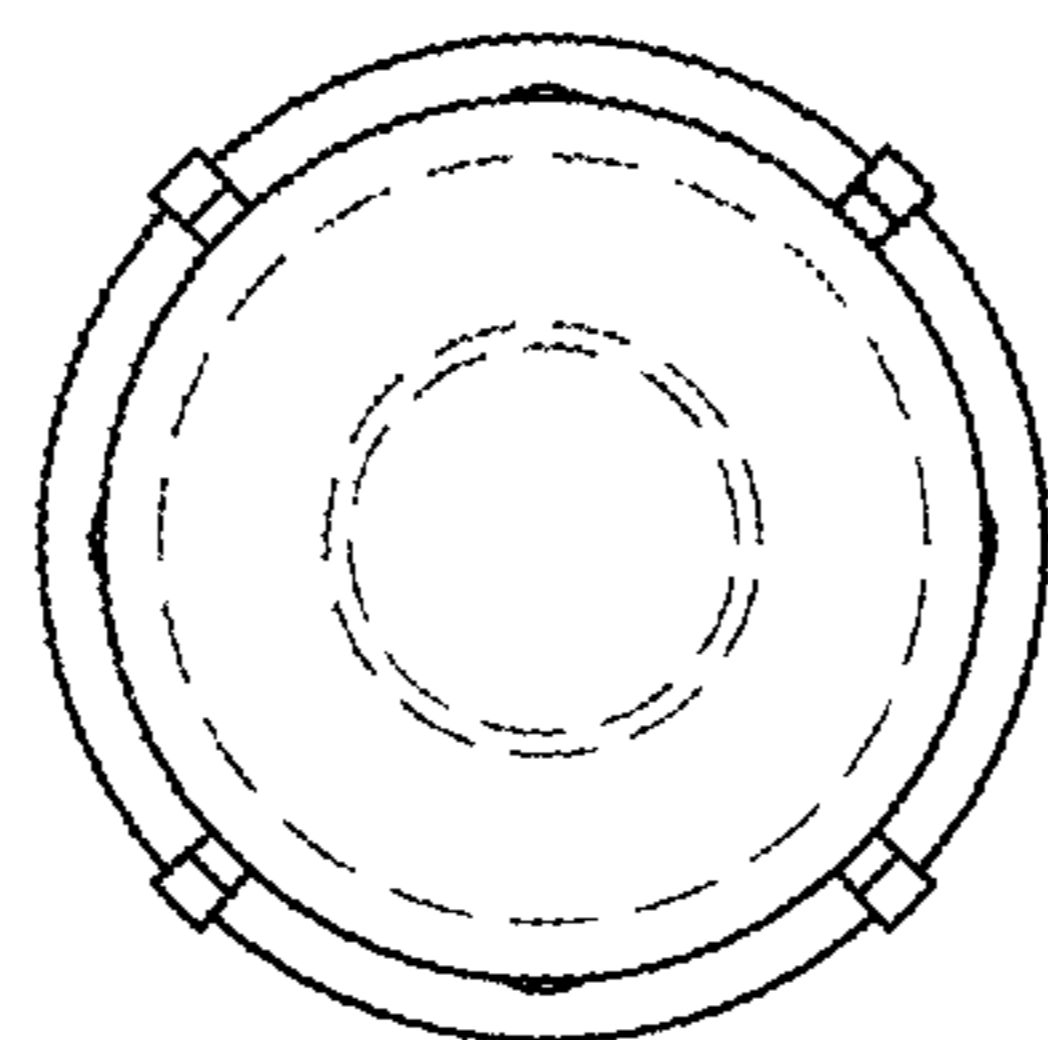


FIG. 15

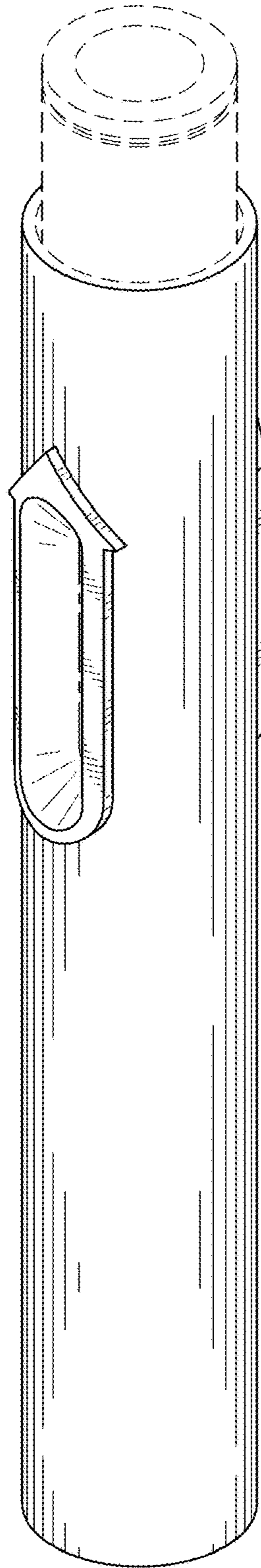


FIG. 16

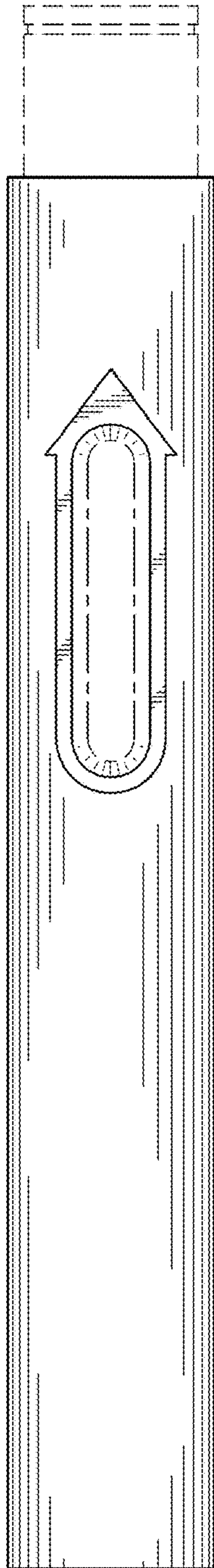


FIG. 17

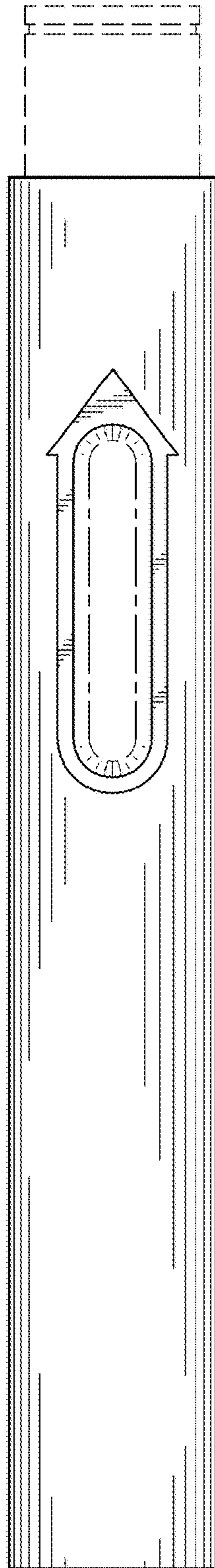


FIG. 18

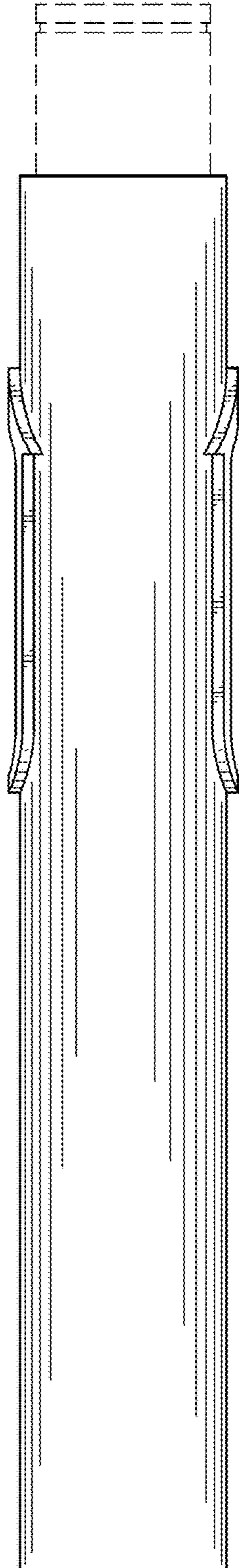


FIG. 19

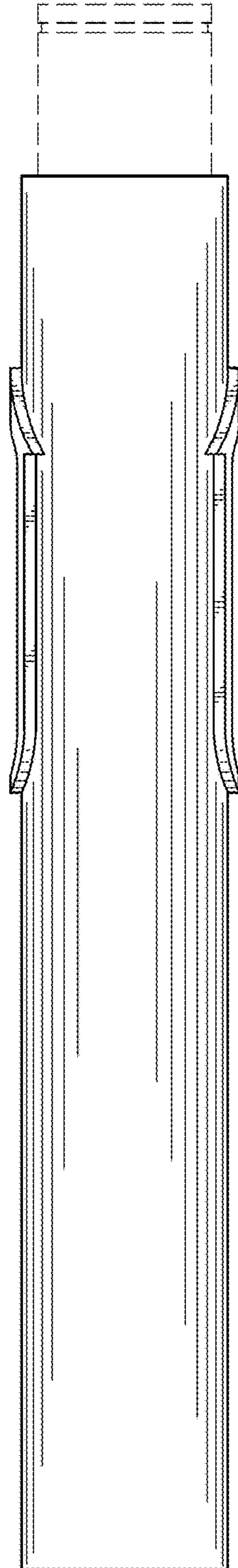


FIG. 20

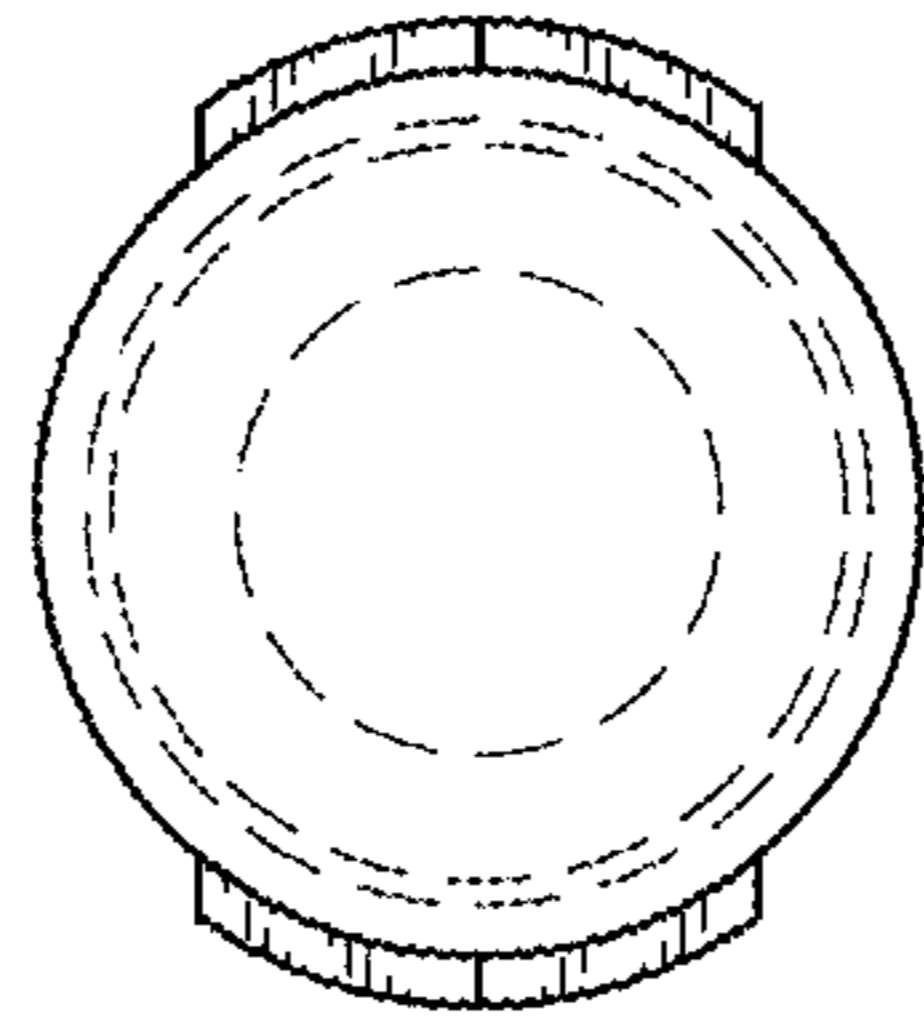


FIG. 21

