



US00D903855S

(12) **United States Design Patent**  
**Cichocki, Jr. et al.**

(10) **Patent No.:** **US D903,855 S**  
(45) **Date of Patent:** **\*\* Dec. 1, 2020**

(54) **BARBED MICROCATHETER WITH SPACED ROUND OPENINGS**

(71) Applicant: **Ethicon, Inc.**, Somerville, NJ (US)

(72) Inventors: **Frank Richard Cichocki, Jr.**, Easton, PA (US); **Scott Ciarrocca**, Stockton, NJ (US)

(73) Assignee: **Ethicon, Inc.**, Somerville, NJ (US)

(\*\*) Term: **15 Years**

(21) Appl. No.: **29/705,604**

(22) Filed: **Sep. 13, 2019**

(51) **LOC (12) Cl.** ..... **24-02**

(52) **U.S. Cl.**  
USPC ..... **D24/112**

(58) **Field of Classification Search**  
USPC ..... D24/112-114, 133, 186, 127-131;  
606/181, 185; 604/264, 523-528, 272,  
604/187, 158, 164.01-164.11, 181, 184,  
604/227; 600/101, 139, 143;  
128/200.24, 207.14, 207.15  
CPC ..... A61M 25/0015; A61M 25/0028; A61M  
2025/0003; A61M 2025/0042; A61M  
2025/009; A61M 2025/0096; A61M  
2025/091; A61L 29/148  
See application file for complete search history.

(56) **References Cited**

**U.S. PATENT DOCUMENTS**

3,990,485	A *	11/1976	Uhl	.....	B21F 25/00
					140/58
5,458,582	A	10/1995	Nakeo		
D397,590	S *	9/1998	Meloni	.....	D8/8
D414,264	S *	9/1999	Weller	.....	D24/105
D429,820	S *	8/2000	Meske	.....	D24/217

6,241,747	B1 *	6/2001	Ruff	.....	A61B 17/06109
					411/456
D547,623	S *	7/2007	Mooney	.....	D8/8
D584,576	S *	1/2009	Debayer	.....	D7/412
7,704,230	B2	4/2010	Chatlynne et al.		
7,875,055	B2	1/2011	Cichocki		
8,100,941	B2	1/2012	Lindh et al.		
8,128,656	B2	3/2012	Cichocki		
8,226,684	B2	7/2012	Nawrocki et al.		
8,257,393	B2	9/2012	Cichocki, Jr.		
D672,027	S *	12/2012	Williams	.....	D23/413
8,348,973	B2	1/2013	Stopek et al.		
8,821,539	B2	9/2014	Rousseau		
9,237,889	B2	1/2016	Dumanian et al.		
9,592,362	B2	3/2017	Chen et al.		
9,597,426	B2	3/2017	Ostapoff et al.		
D799,554	S *	10/2017	Peterson	.....	D15/11
9,775,928	B2	10/2017	Ostapoff et al.		

(Continued)

*Primary Examiner* — Nathan M Johnston

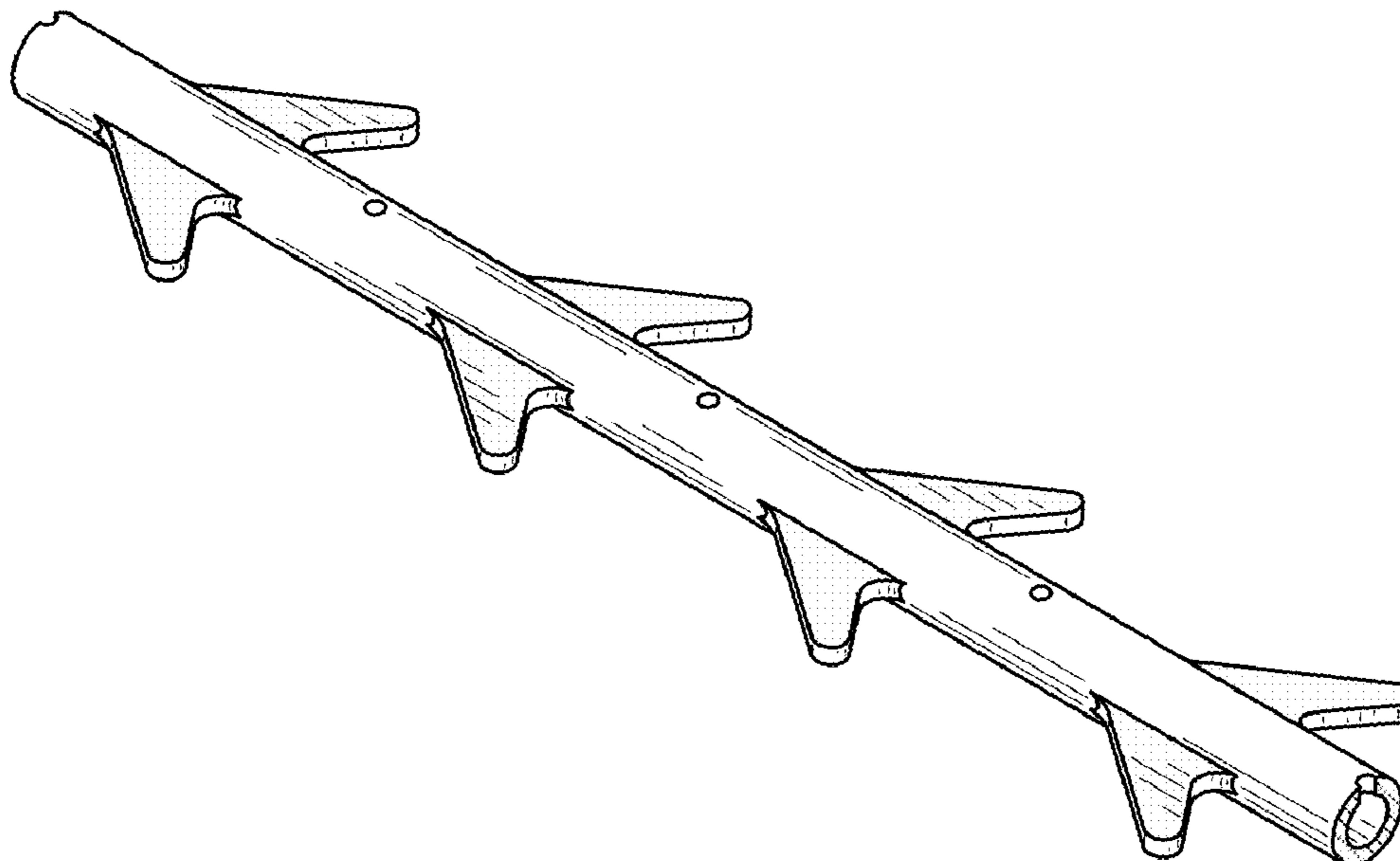
(57) **CLAIM**

The ornamental design for a barbed microcatheter with spaced round openings, as shown and described.

**DESCRIPTION**

FIG. 1 is a perspective view of a barbed microcatheter with spaced round openings, showing our new design; FIG. 2 is a top plan view of the barbed microcatheter with spaced round openings shown in FIG. 1; FIG. 3 is a bottom view of the barbed microcatheter with spaced round openings shown in FIG. 1; FIG. 4 is a proximal end view of the barbed microcatheter with spaced round openings shown in FIG. 1; FIG. 5 is a distal end view of the barbed microcatheter with spaced round openings shown in FIG. 1; FIG. 6 is a left side view of the barbed microcatheter with spaced round openings shown in FIG. 1; and, FIG. 7 is a right side view of the barbed microcatheter with spaced round openings shown in FIG. 1.

**1 Claim, 2 Drawing Sheets**



(56)

**References Cited**

U.S. PATENT DOCUMENTS

D850,873 S \* 6/2019 Grolimund ..... D8/20  
 2003/0149447 A1 \* 8/2003 Morency ..... A61B 17/06166  
 606/228  
 2007/0005109 A1 \* 1/2007 Popadiuk ..... A61B 17/06166  
 606/228  
 2007/0005110 A1 \* 1/2007 Collier ..... A61F 2/2409  
 606/228  
 2008/0195147 A1 \* 8/2008 Stopek ..... A61L 17/005  
 606/228  
 2009/0248066 A1 \* 10/2009 Wilkie ..... A61B 17/06166  
 606/228  
 2010/0023055 A1 \* 1/2010 Rousseau ..... A61B 17/06166  
 606/228  
 2010/0198257 A1 \* 8/2010 Stopek ..... A61L 17/005  
 606/228  
 2010/0317996 A1 \* 12/2010 Dillon ..... A61B 10/0266  
 600/567  
 2011/0048216 A1 \* 3/2011 Lindh, Sr. .... D04C 3/48  
 87/34  
 2011/0054522 A1 \* 3/2011 Lindh, Sr. .... A61B 17/06166  
 606/228  
 2012/0109188 A1 \* 5/2012 Viola ..... A61B 17/064  
 606/213  
 2012/0143349 A1 \* 6/2012 Peterson ..... A61B 17/06166  
 623/23.72  
 2014/0222071 A1 \* 8/2014 Perkins ..... A61B 17/06166  
 606/228  
 2015/0184983 A1 \* 7/2015 Pink ..... B65H 49/08  
 206/494  
 2016/0032955 A1 \* 2/2016 Chang ..... F16B 12/20  
 312/330.1  
 2018/0177505 A1 \* 6/2018 Chu ..... A61B 17/06166

\* cited by examiner

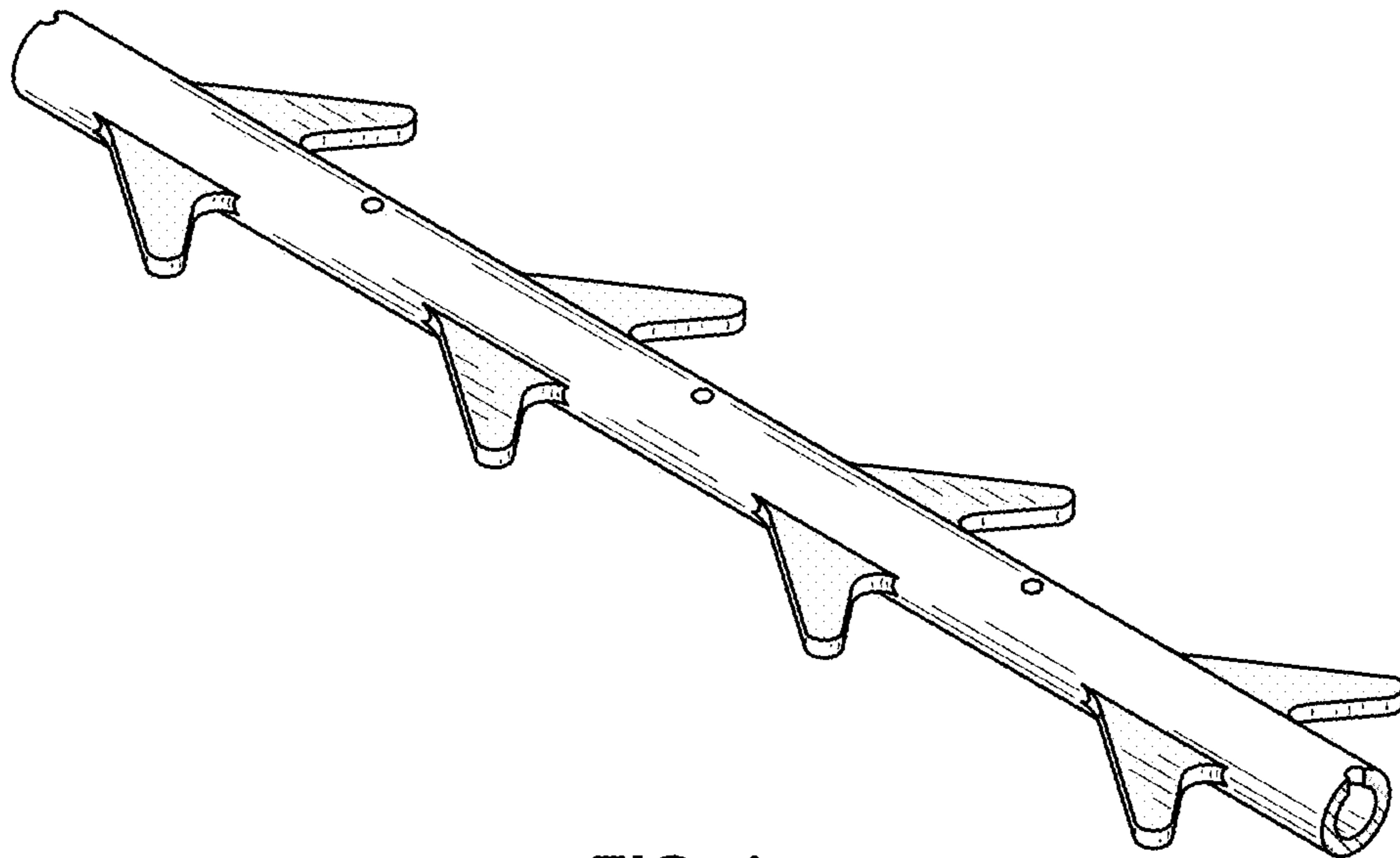


FIG. 1

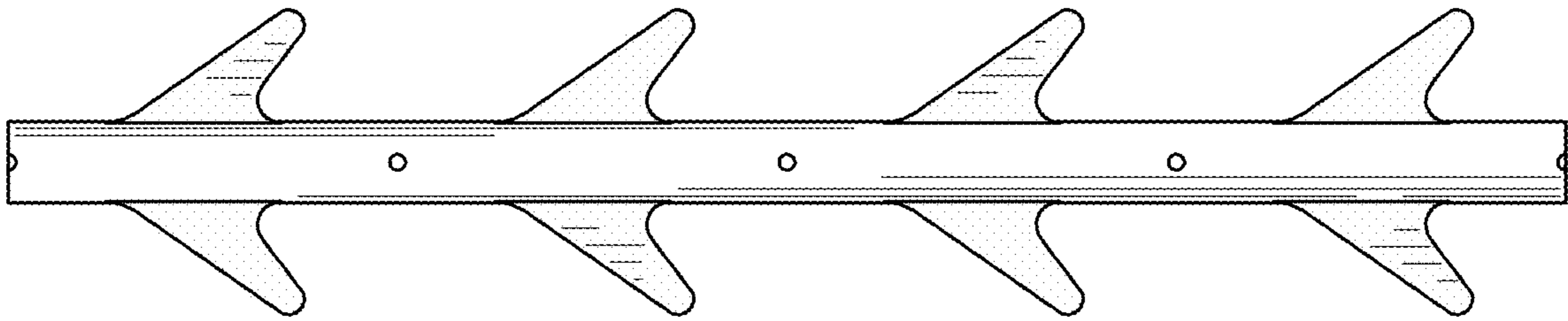


FIG. 2

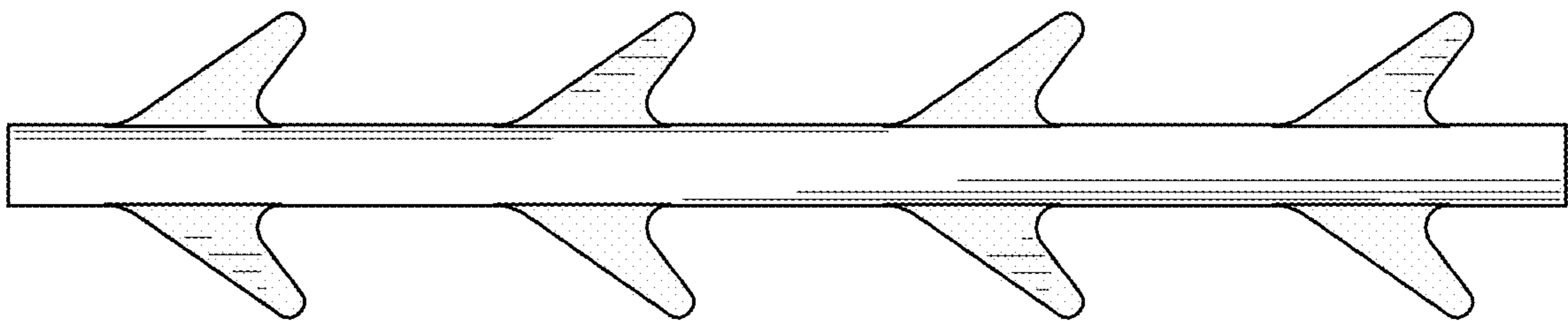


FIG. 3



FIG. 4

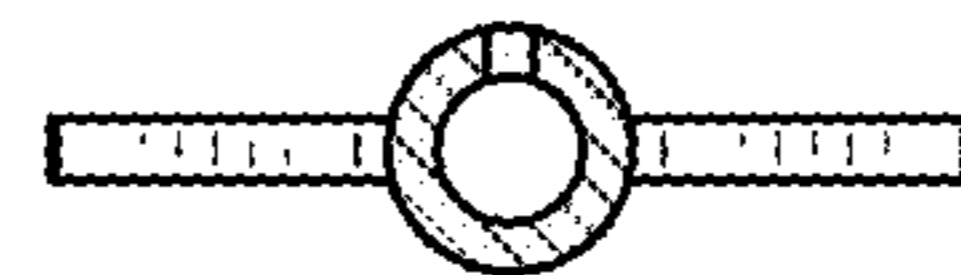


FIG. 5



FIG. 6



FIG. 7