



US00D903854S

(12) **United States Design Patent**
Huang

(10) **Patent No.:** **US D903,854 S**

(45) **Date of Patent:** **** Dec. 1, 2020**

(54) **BREAST PUMP**

(71) Applicant: **Mengyao Huang**, Hunan (CN)

(72) Inventor: **Mengyao Huang**, Hunan (CN)

(**) Term: **15 Years**

(21) Appl. No.: **29/669,243**

(22) Filed: **Nov. 7, 2018**

(51) **LOC (12) Cl.** **24-02**

(52) **U.S. Cl.**
USPC **D24/109**

(58) **Field of Classification Search**
USPC D24/108, 109, 127; D9/500, 549;
604/74-76; D13/168; D14/203.2-203.7
CPC A61M 1/062; A61M 1/06; A61M 1/066;
A61M 1/064; A61J 9/00; A61J 9/001
See application file for complete search history.

(56) **References Cited**

U.S. PATENT DOCUMENTS

D62,963 S *	8/1923	Sanford	D9/500
D313,103 S *	12/1990	Kawano	D24/109
D326,516 S *	5/1992	Chambers	D24/109
D372,777 S *	8/1996	Kan	D24/109
D408,528 S *	4/1999	Kan	D24/109
D418,598 S *	1/2000	Jauch	D24/109

D561,021 S *	2/2008	DuVal	D9/500
D609,331 S *	2/2010	Paterson	D24/109
D636,072 S *	4/2011	Silver	D24/109
D688,785 S *	8/2013	Cudworth	D24/109
D688,786 S *	8/2013	Cudworth	D24/109
D698,646 S *	2/2014	Paredes	D9/500
D699,110 S *	2/2014	Cox	D9/500
D701,955 S *	4/2014	Thomas	D24/109
D808,006 S *	1/2018	Zhang	D24/109
D810,925 S *	2/2018	Zhang	D24/109
D871,566 S *	12/2019	Zhang	D24/109
2020/0086019 A1 *	3/2020	Chua	A61M 1/064

* cited by examiner

Primary Examiner — Aula Soroush

(57) **CLAIM**

The ornamental design for a breast pump, as shown and described.

DESCRIPTION

FIG. 1 is a perspective view of a breast pump showing my new design;

FIG. 2 is a front elevational view thereof;

FIG. 3 is a rear elevational view thereof;

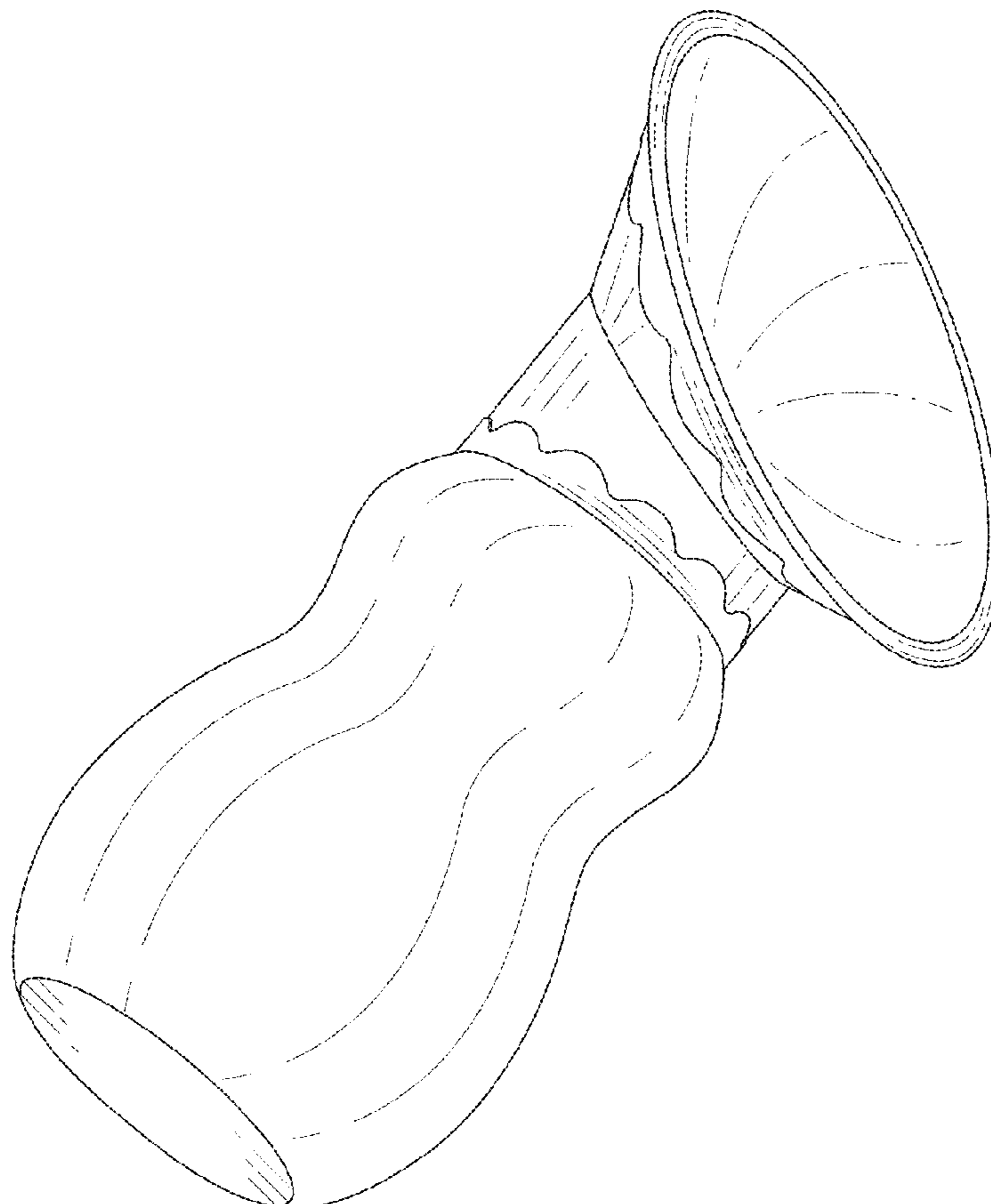
FIG. 4 is a left side elevational view thereof;

FIG. 5 is a right side elevational view thereof;

FIG. 6 is a top plan view thereof; and,

FIG. 7 is a bottom plan view thereof.

1 Claim, 7 Drawing Sheets



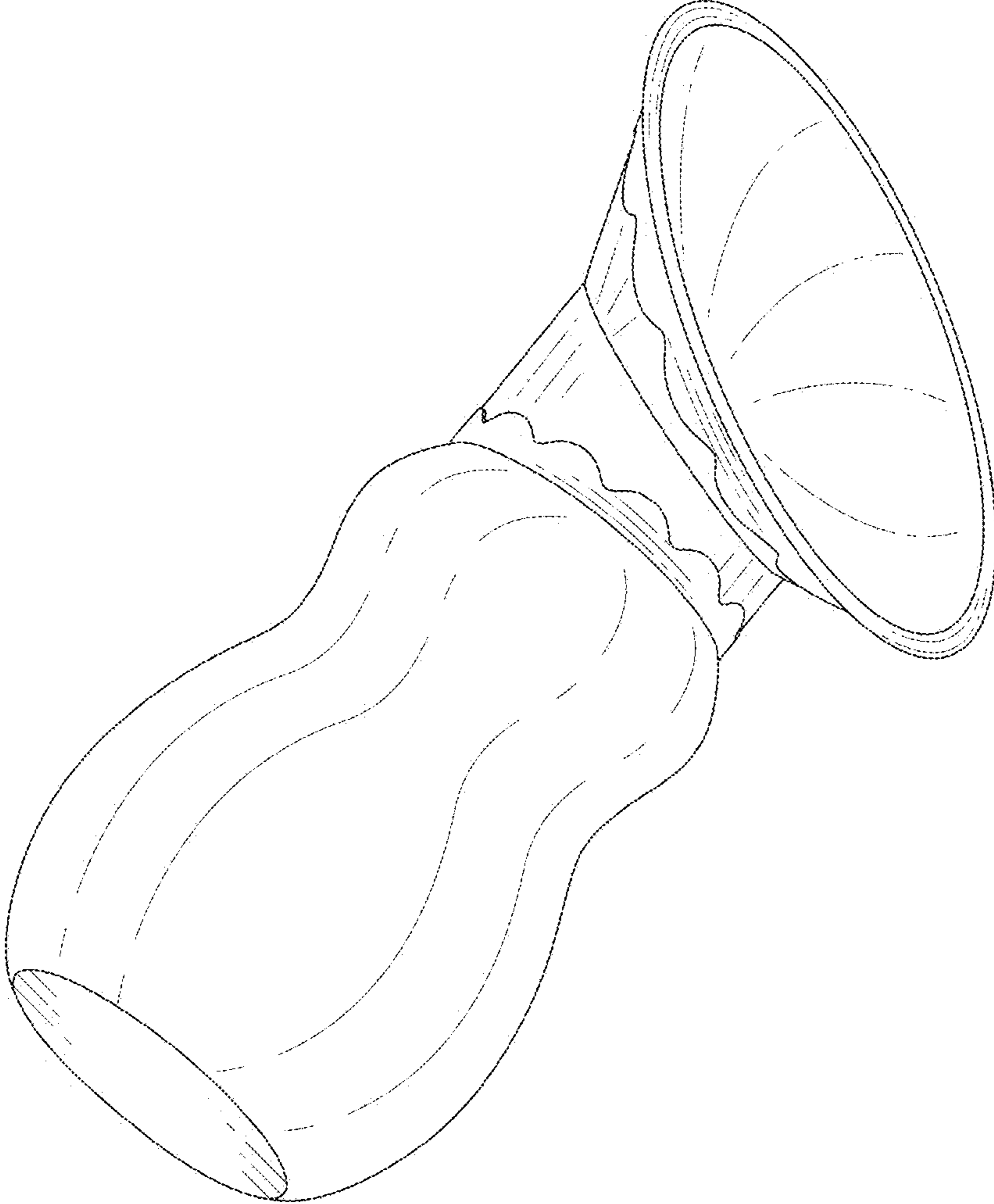


FIG.1

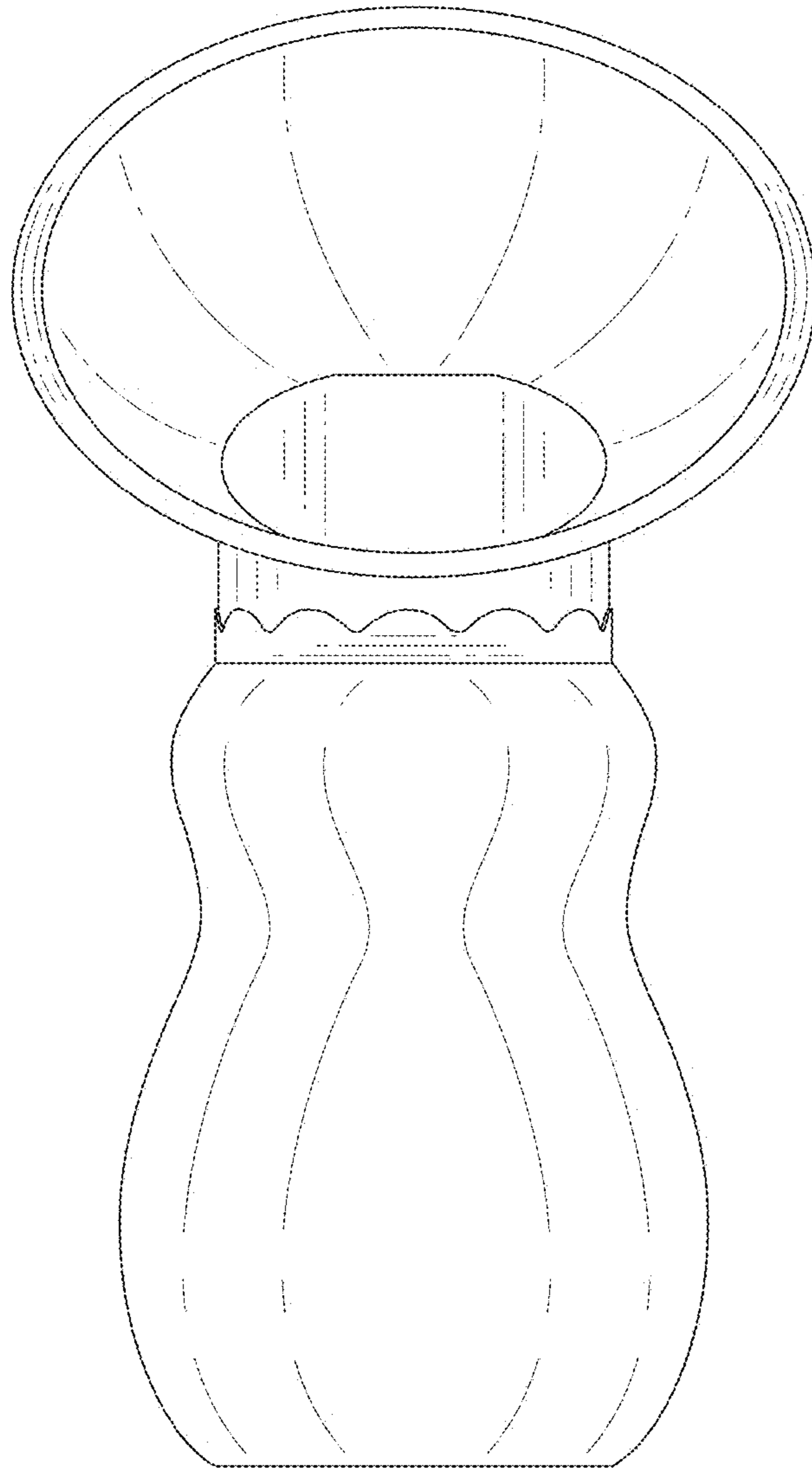


FIG.2

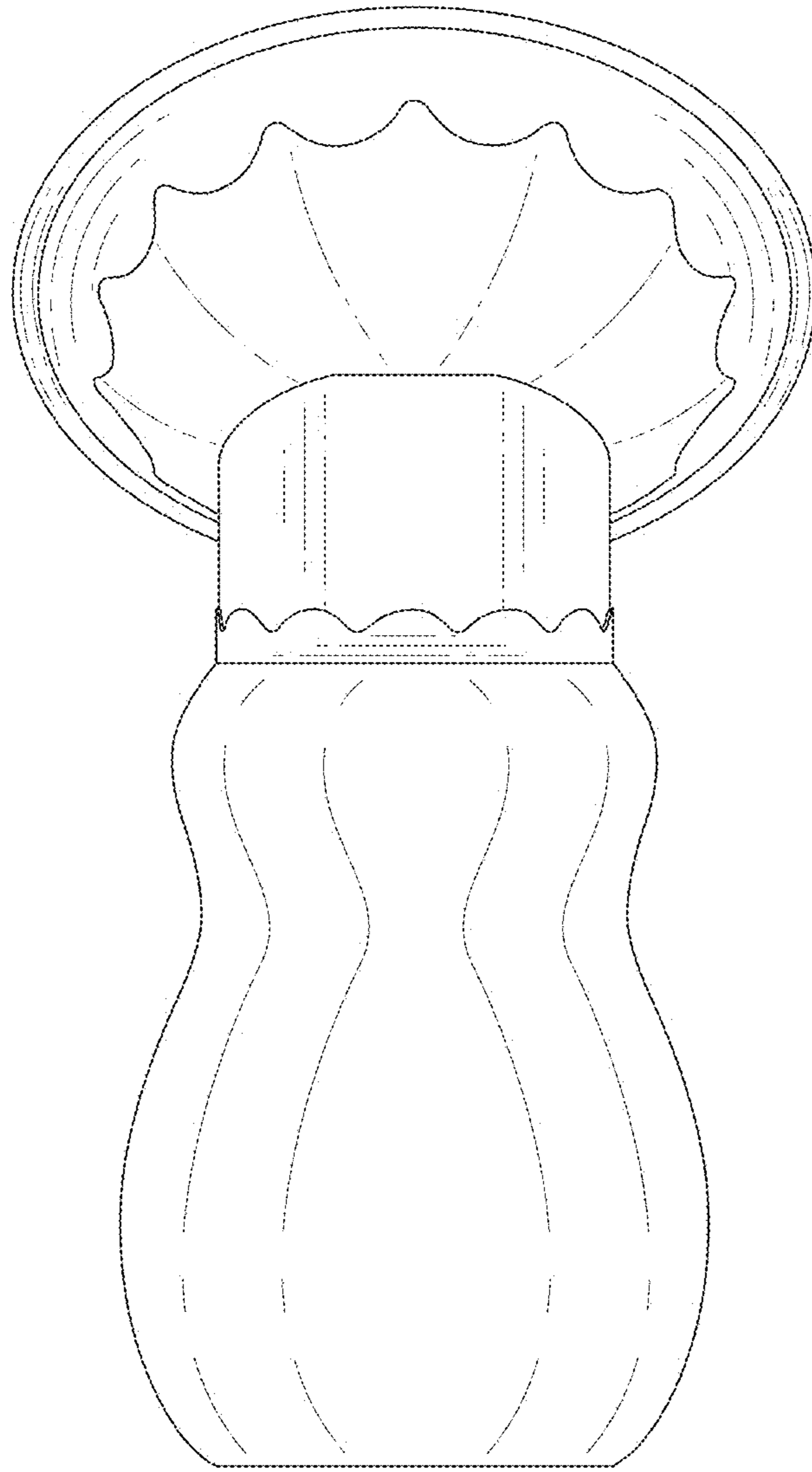


FIG.3

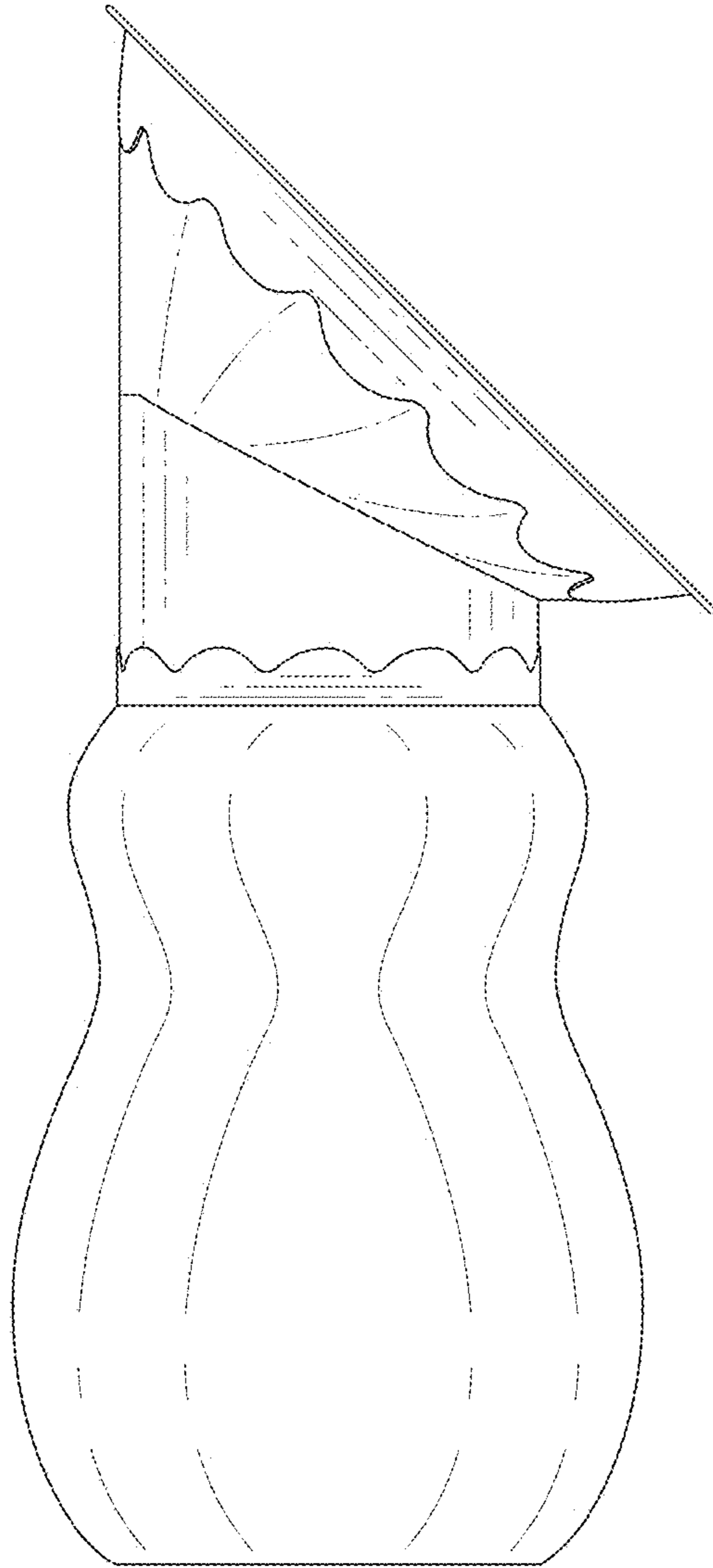


FIG.4

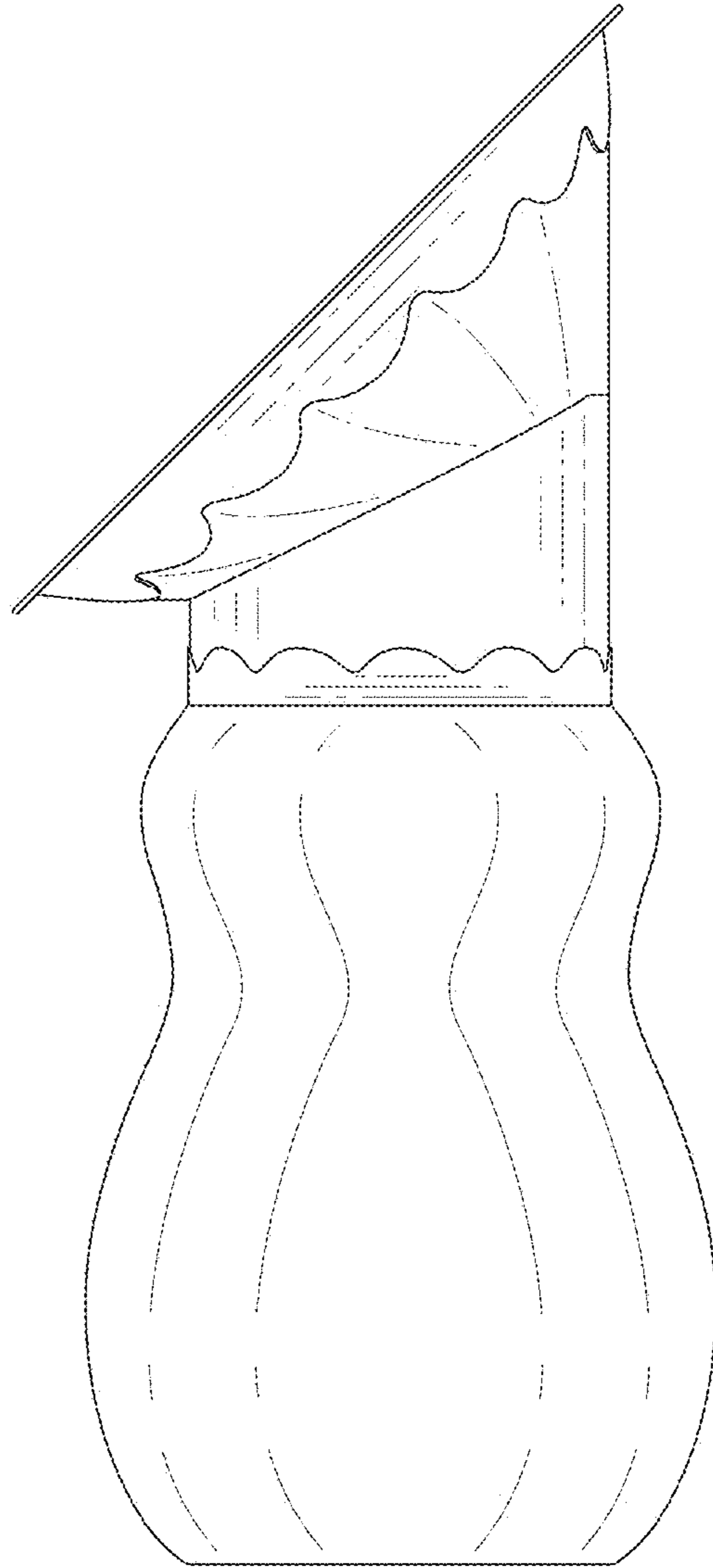


FIG.5

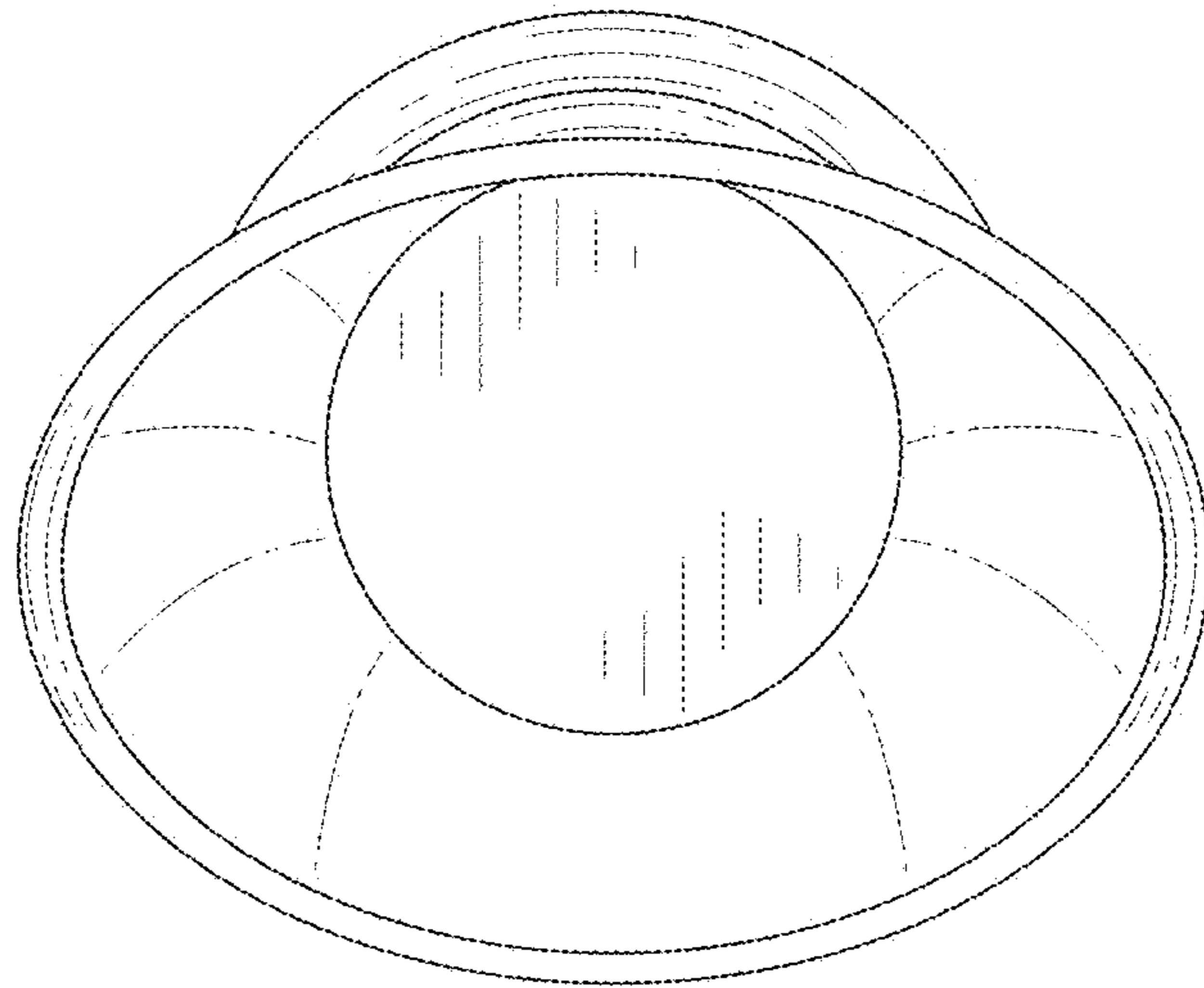


FIG.6

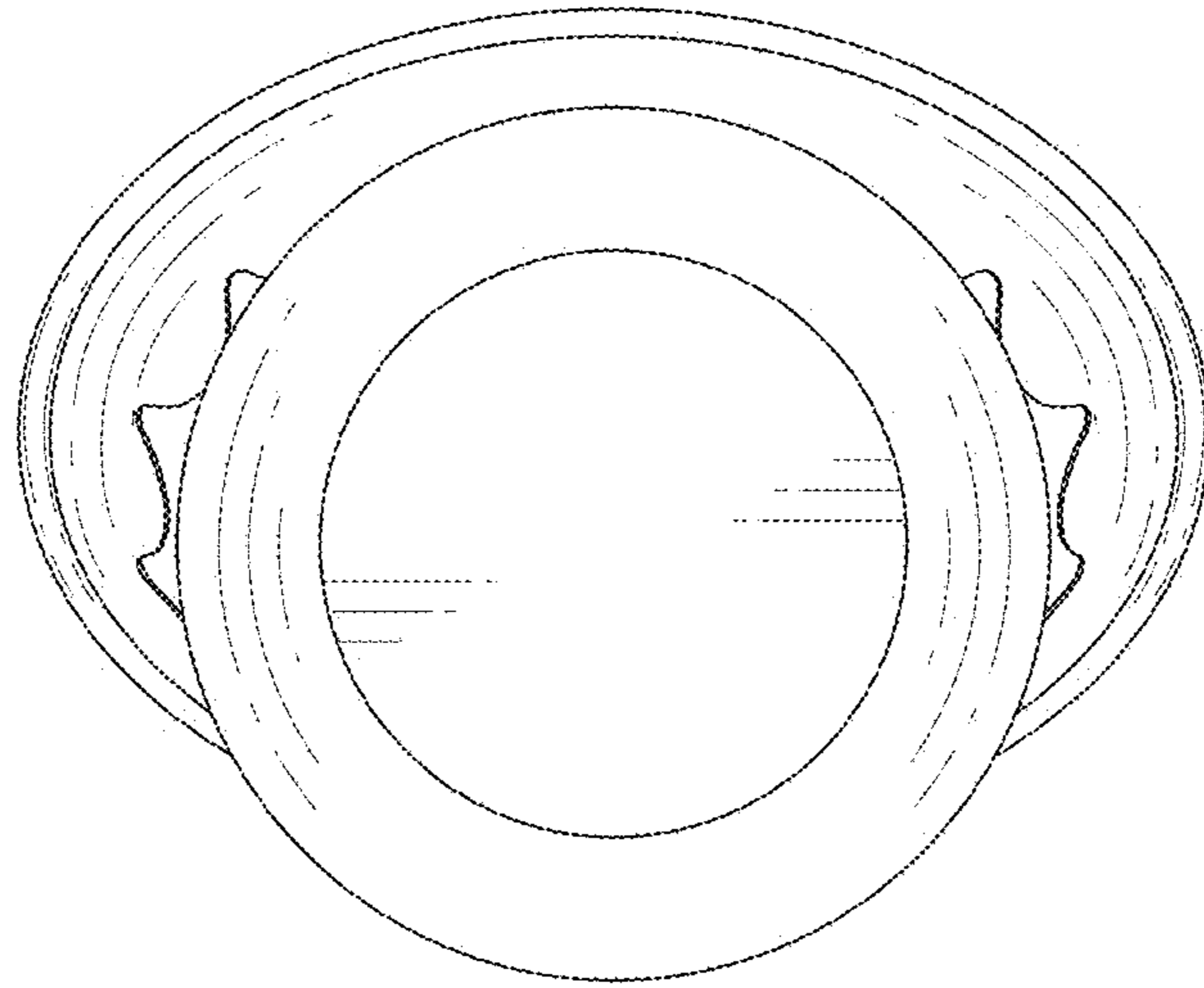


FIG.7