

US00D903850S

(12) **United States Design Patent** (10) **Patent No.:** **US D903,850 S**
McRoberts (45) **Date of Patent:** **** Dec. 1, 2020**

(54) **COMBINED CEILING FAN MOTOR HOUSING AND LIGHT KIT**

(71) Applicant: **HUNTER FAN COMPANY**,
Memphis, TN (US)

(72) Inventor: **Claire Bernice McRoberts**, La Jolla,
CA (US)

(73) Assignee: **Hunter Fan Company**, Memphis, TN
(US)

(**) Term: **15 Years**

(21) Appl. No.: **29/716,662**

(22) Filed: **Dec. 11, 2019**

Related U.S. Application Data

(62) Division of application No. 29/650,195, filed on Jun.
5, 2018, now Pat. No. Des. 873,406.

(51) **LOC (12) Cl.** **23-03**

(52) **U.S. Cl.**
USPC **D23/411**; D26/59

(58) **Field of Classification Search**
USPC D23/370-385, 411-414; D26/59, 85, 86,
D26/89, 90

CPC F04D 25/088; F04D 29/38; F04D 29/384;
F04D 29/386; F21V 33/0096

See application file for complete search history.

(56) **References Cited**

U.S. PATENT DOCUMENTS

D84,930 S 8/1931 Glatthar
D186,400 S * 10/1959 Belau D26/84
D226,217 S 1/1973 Anderson, Jr.
D325,999 S * 5/1992 Sonneman D26/152
5,151,011 A 9/1992 Rezek
D361,148 S * 8/1995 Wedell D26/63
D376,008 S 11/1996 Chan
D394,103 S 5/1998 Lee

D605,751 S 12/2009 Yang
D622,895 S * 8/2010 Lyons D26/118
D628,687 S 12/2010 Yao
D628,688 S 12/2010 Pan
D706,406 S 6/2014 Wang
D770,667 S 11/2016 Orozco
D784,510 S 4/2017 Badarello et al.
D797,980 S 9/2017 Maxik et al.

(Continued)

FOREIGN PATENT DOCUMENTS

AU 2017203518 A1 12/2018

OTHER PUBLICATIONS

<https://protect-us.mimecast.com/s/VVA8Czp5IWCGnKVugiofZ>, Casa
Viega, 52" Casa Surveyor Oil-Rubbed Bronze Ceiling Fan.

Primary Examiner — Cathron C Brooks

Assistant Examiner — Sharon S Oum

(74) *Attorney, Agent, or Firm* — McGarry Bair PC

(57) **CLAIM**

The ornamental design for a combined ceiling fan motor housing and light kit, as shown and described.

DESCRIPTION

FIG. 1 is a top perspective view of a combined ceiling fan motor housing and light kit shown in the environment of a ceiling fan, showing my new design;

FIG. 2 is a bottom perspective view thereof;

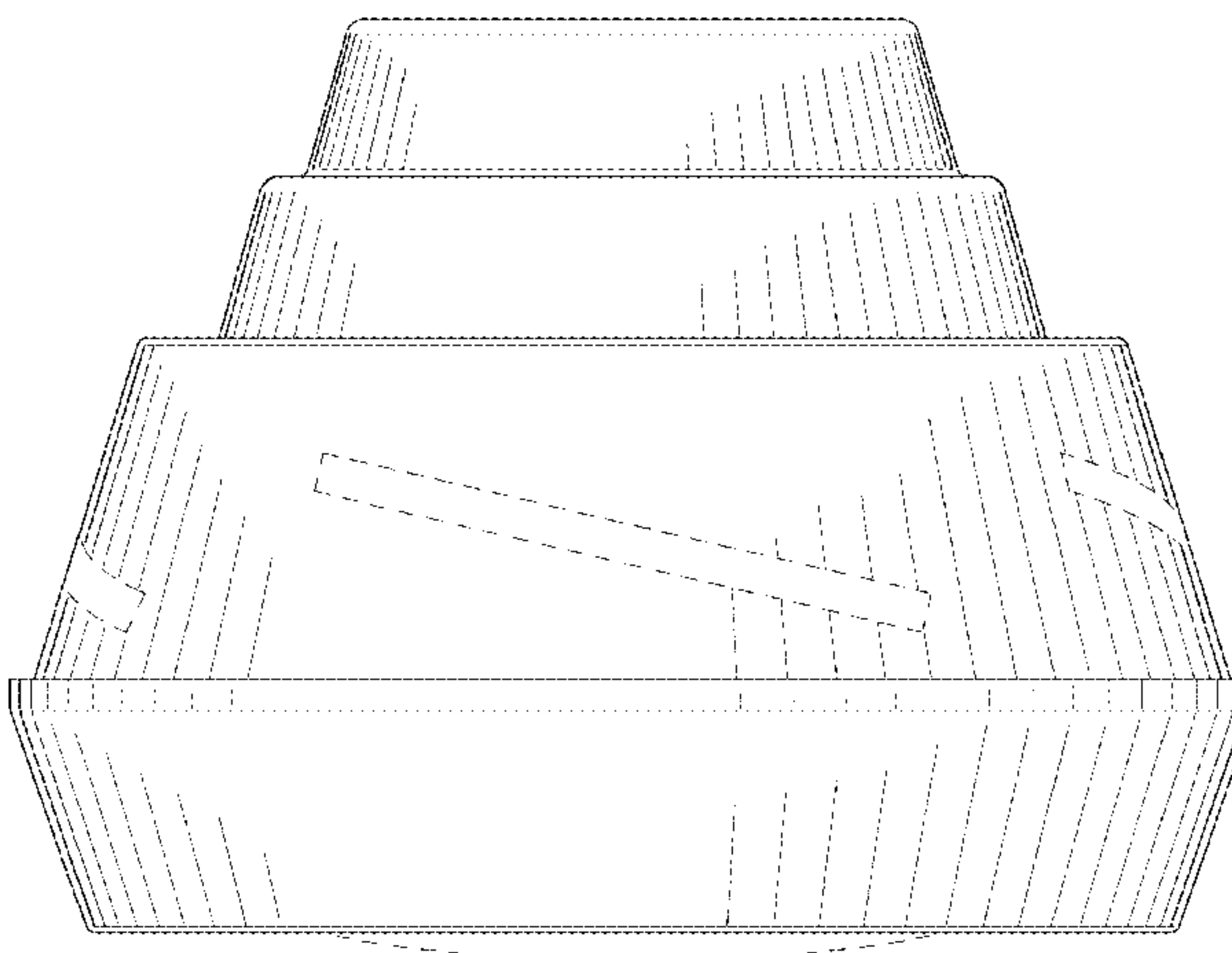
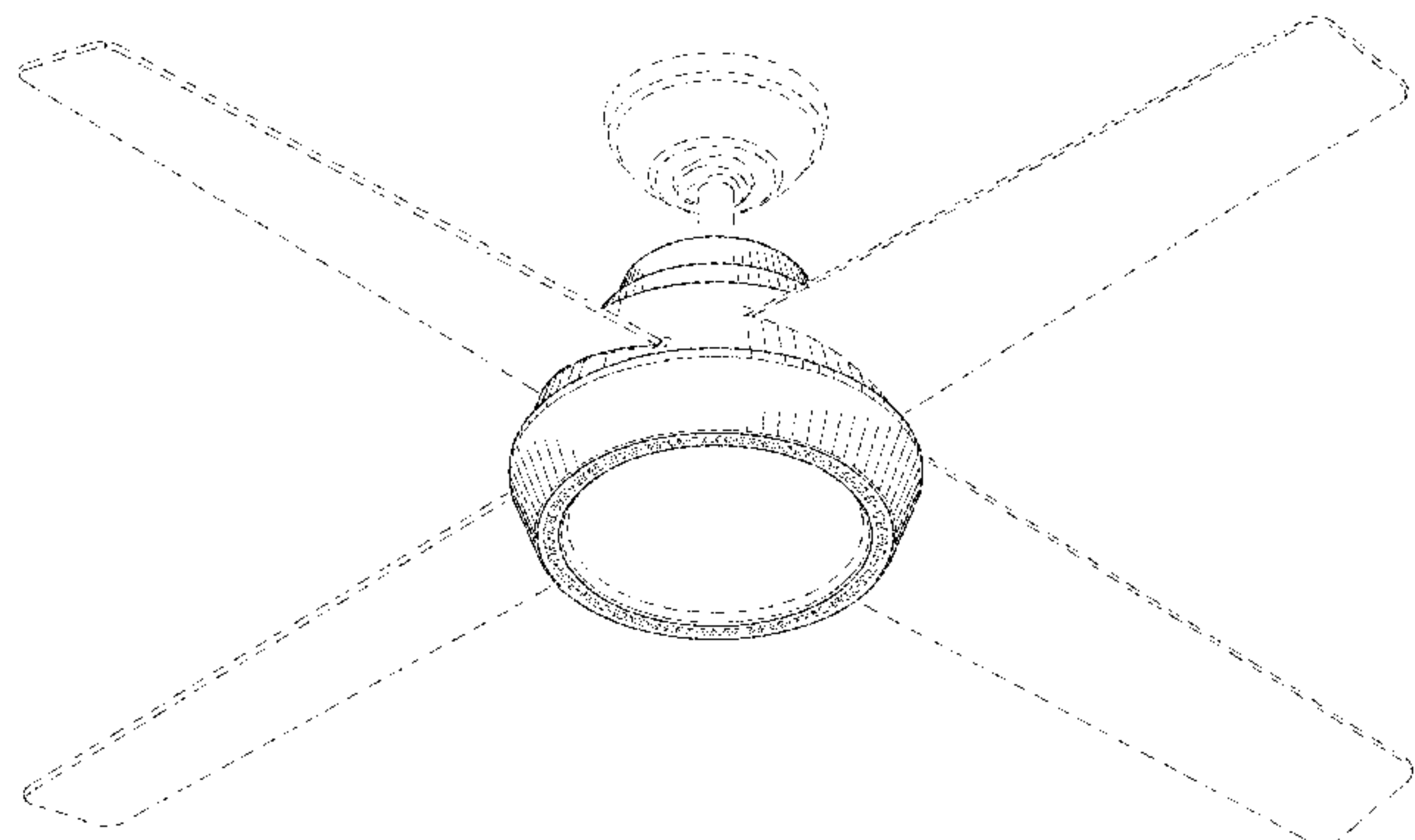
FIG. 3 is a top view of the combined ceiling fan motor housing and light kit of FIG. 1, having the ceiling fan environment removed;

FIG. 4 is a bottom view thereof; and,

FIG. 5 is a side view thereof.

The broken lines illustrate portions of the combined ceiling fan motor housing and light kit, and ceiling fan environment. None of the broken lines form part of the claimed design.

1 Claim, 5 Drawing Sheets



(56)

References Cited

U.S. PATENT DOCUMENTS

D799,020	S	10/2017	Guthrie	
D800,289	S	10/2017	Guthrie	
D800,370	S	10/2017	Sonneman	
D805,175	S	12/2017	Haggar	
D810,915	S *	2/2018	Guthrie	D23/377
D810,917	S	2/2018	Holmes	
D816,204	S *	4/2018	McRoberts	D23/377
D819,799	S	6/2018	Wang	
D822,192	S	7/2018	Haggar	
D826,395	S	8/2018	McRoberts et al.	
D827,123	S	8/2018	Guthrie	
D831,268	S	10/2018	Johnson	
D849,224	S	5/2019	Gardner	
D850,602	S	6/2019	Flores	
D851,232	S	6/2019	Schulzman	
D873,406	S *	1/2020	McRoberts	D23/377
D875,920	S *	2/2020	Haggar	D23/411
D877,308	S *	3/2020	Pickett	D23/377
D877,309	S *	3/2020	Pickett	D23/377
D877,315	S *	3/2020	Pickett	D23/411
2005/0214145	A1	9/2005	Grinbergs	

* cited by examiner

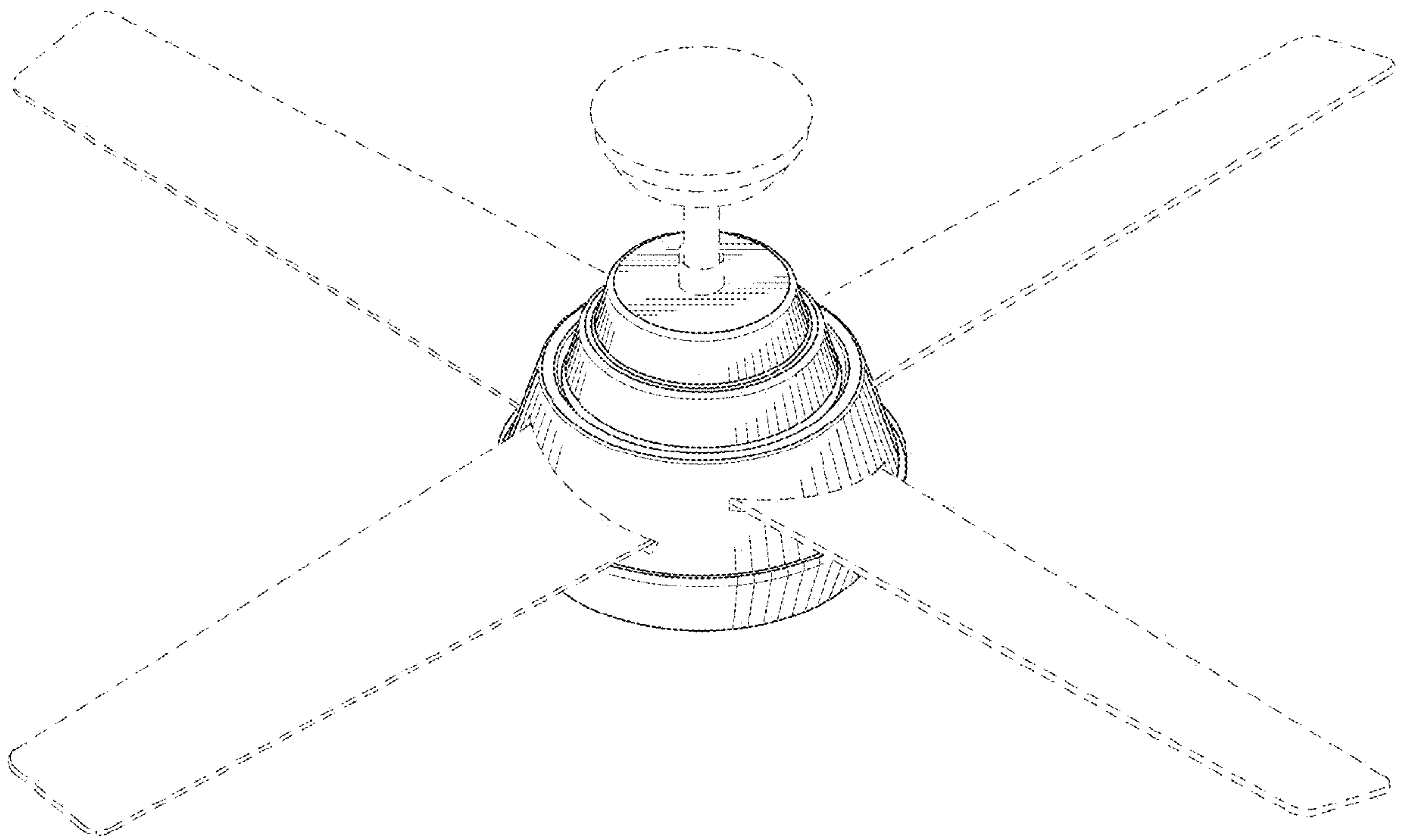


FIG. 1

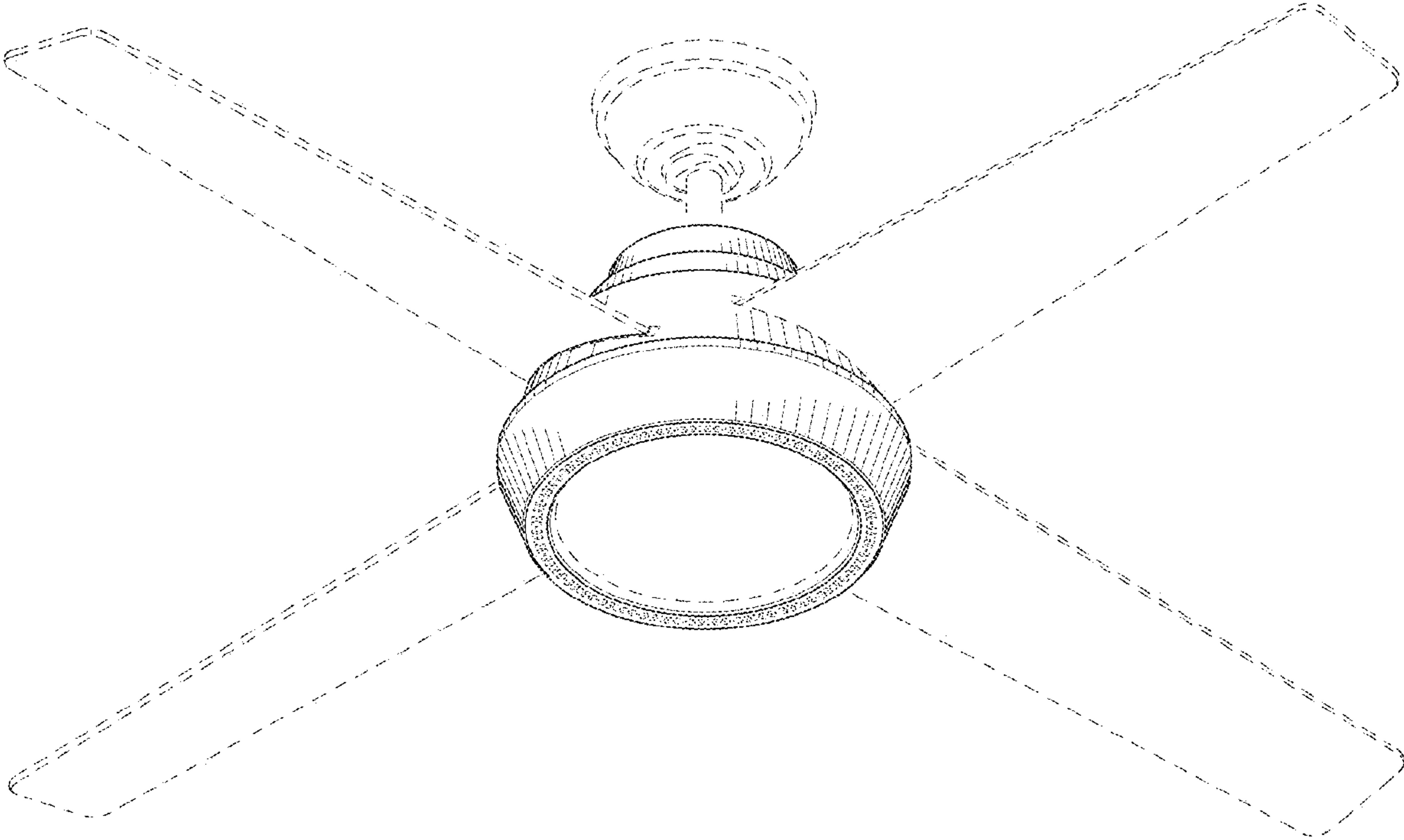


FIG. 2

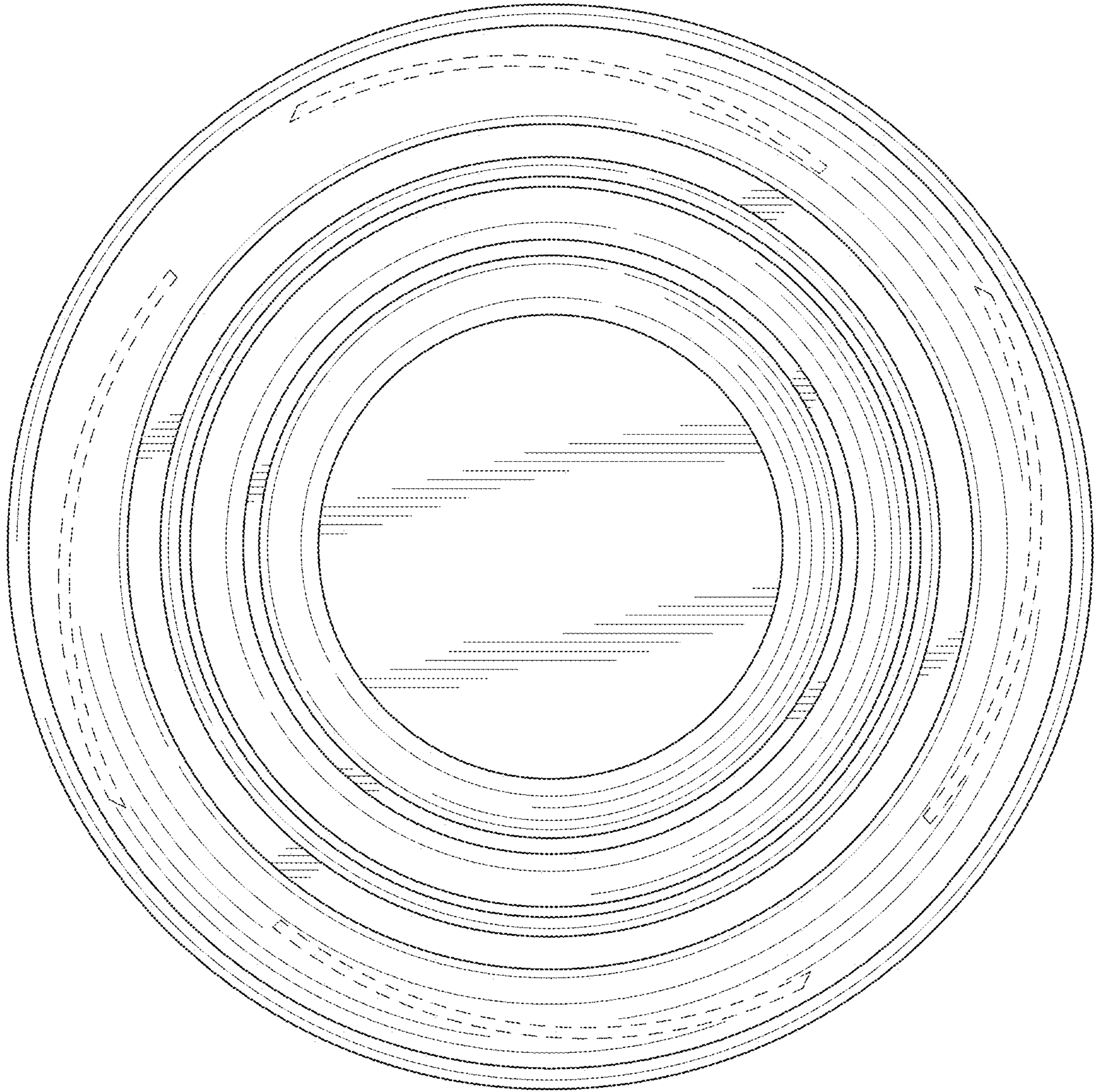


FIG. 3

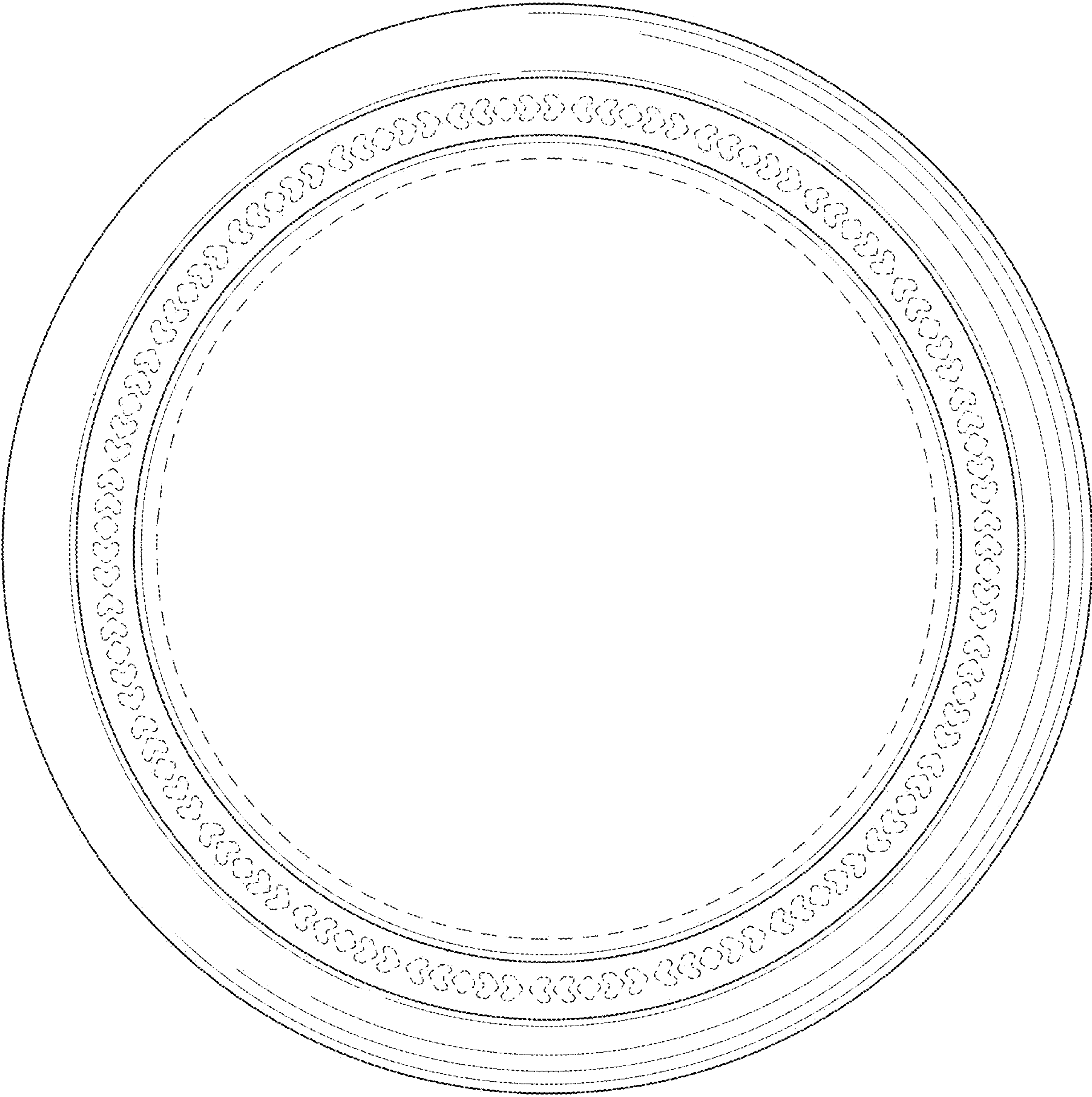


FIG. 4

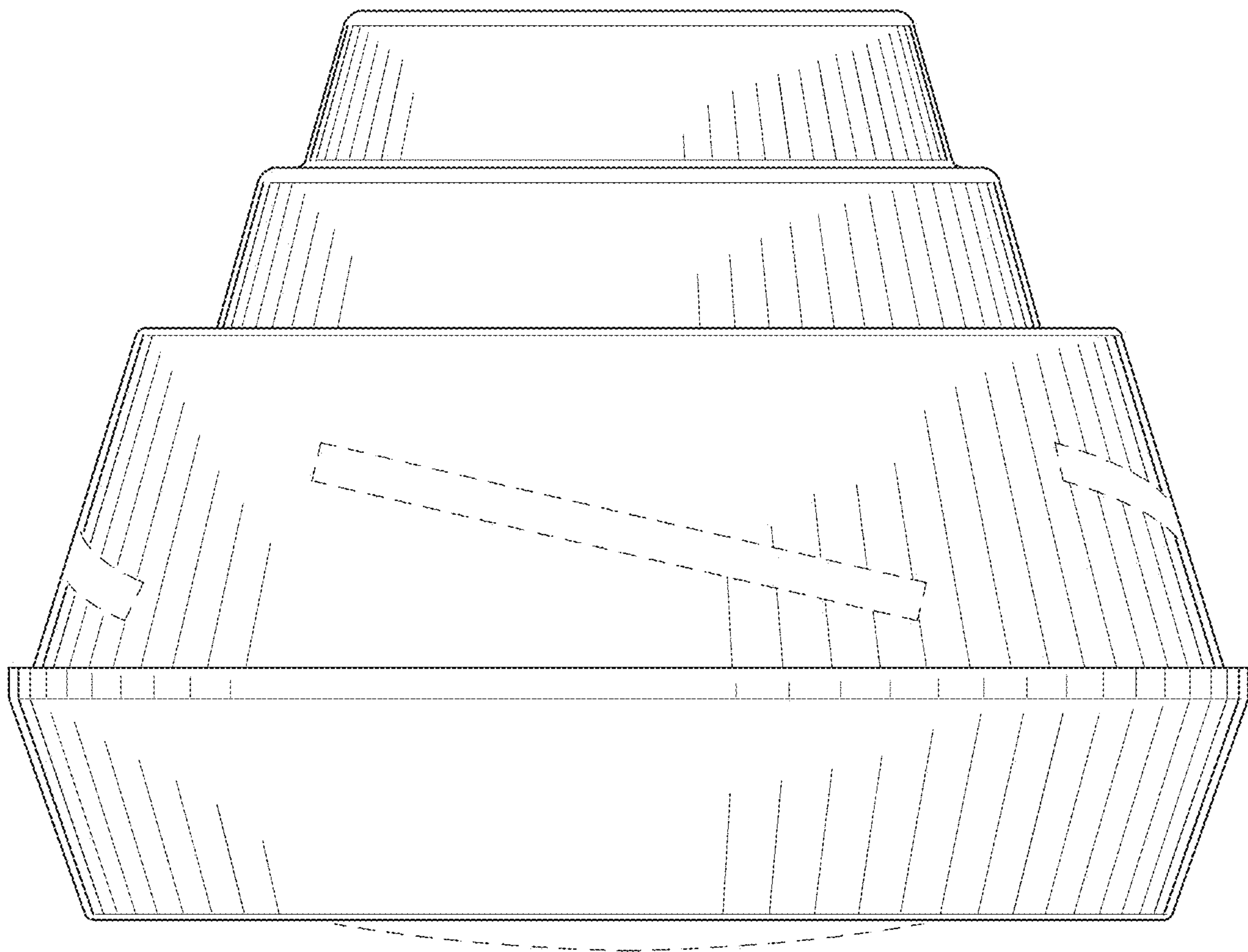


FIG. 5