



US00D903849S

(12) **United States Design Patent**  
**Li et al.**

(10) **Patent No.:** **US D903,849 S**  
(45) **Date of Patent:** **\*\* Dec. 1, 2020**

(54) **SOLAR LIGHTING FAN**  
(71) Applicant: **Ningbo EFU Electrical Appliance Co., Ltd.**, Cixi (CN)  
(72) Inventors: **Mingde Li**, Dushan (CN); **Fengkai Liu**, Cixi (CN); **Jiwen Liu**, Cixi (CN)  
(\*\*) Term: **15 Years**  
(21) Appl. No.: **29/702,231**  
(22) Filed: **Aug. 17, 2019**  
(51) **LOC (12) Cl.** ..... **23-04**  
(52) **U.S. Cl.**  
USPC ..... **D23/377; D23/382; D26/59**  
(58) **Field of Classification Search**  
USPC ..... D23/332, 333, 335–337, 364, 370, 378, D23/379, 381–383, 377, 385; D26/37, D26/38, 40, 41, 59  
CPC ..... F24H 3/0417; F04D 29/48; F04D 25/08; F04D 29/38; F04D 29/384; F04D 29/386  
See application file for complete search history.

D840,014 S \* 2/2019 Badarello ..... D23/385  
D842,514 S \* 3/2019 Wu ..... D26/41  
D846,728 S \* 4/2019 Wang ..... D23/382

\* cited by examiner

*Primary Examiner* — Cathron C Brooks  
*Assistant Examiner* — Sharon S Oum  
(74) *Attorney, Agent, or Firm* — HYIP

(57) **CLAIM**

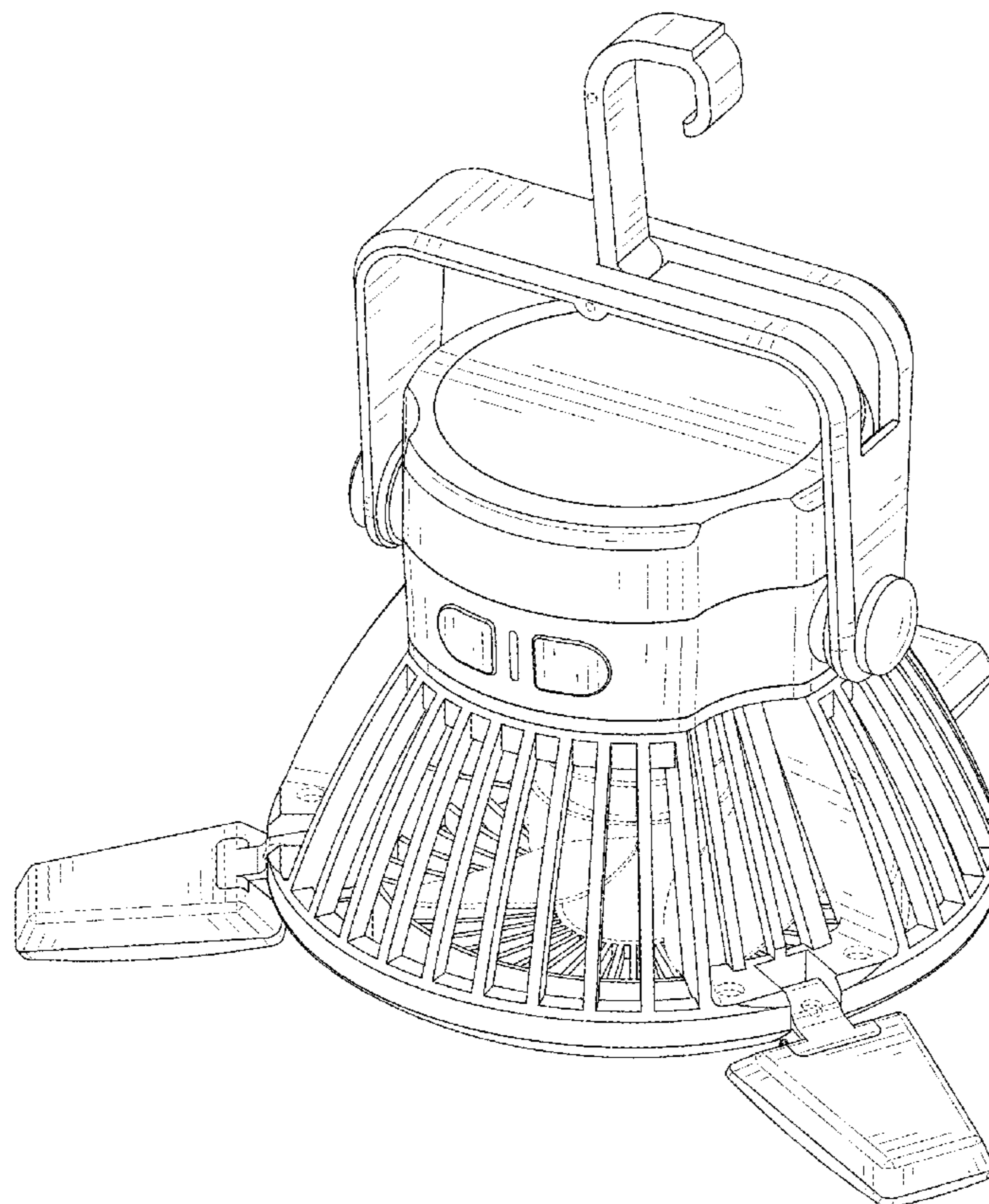
The ornamental design for a solar lighting fan, as shown and described.

**DESCRIPTION**

FIG. 1 is a perspective view of a solar lighting fan showing my design;  
FIG. 2 is a front view thereof;  
FIG. 3 is a back view thereof;  
FIG. 4 is a left side view thereof;  
FIG. 5 is a right side view thereof;  
FIG. 6 is a top view thereof;  
FIG. 7 is a bottom view thereof; and,  
FIG. 8 is a perspective view of another state of the solar lighting fan thereof.  
The broken lines shown in the drawings depict portions of the solar lighting fan in which the design is embodied that form no part of the claimed design.

(56) **References Cited**  
U.S. PATENT DOCUMENTS  
D275,328 S \* 8/1984 Yin ..... D23/328  
D633,611 S \* 3/2011 Pan ..... D23/377  
D760,368 S \* 6/2016 Chen ..... D23/377  
D773,637 S \* 12/2016 Ertze ..... D23/411  
D784,510 S \* 4/2017 Badarello ..... D23/385

**1 Claim, 8 Drawing Sheets**



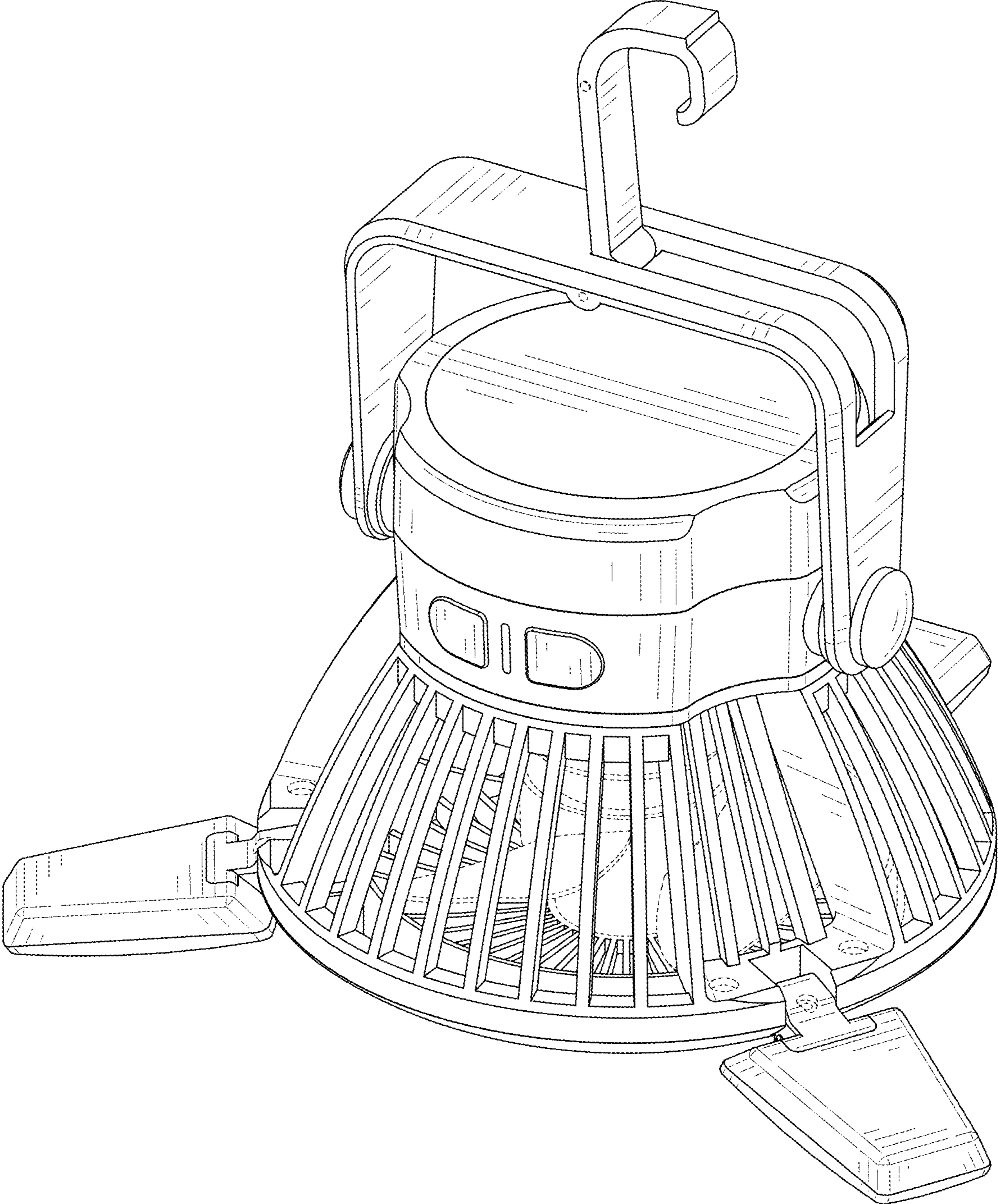


FIG. 1

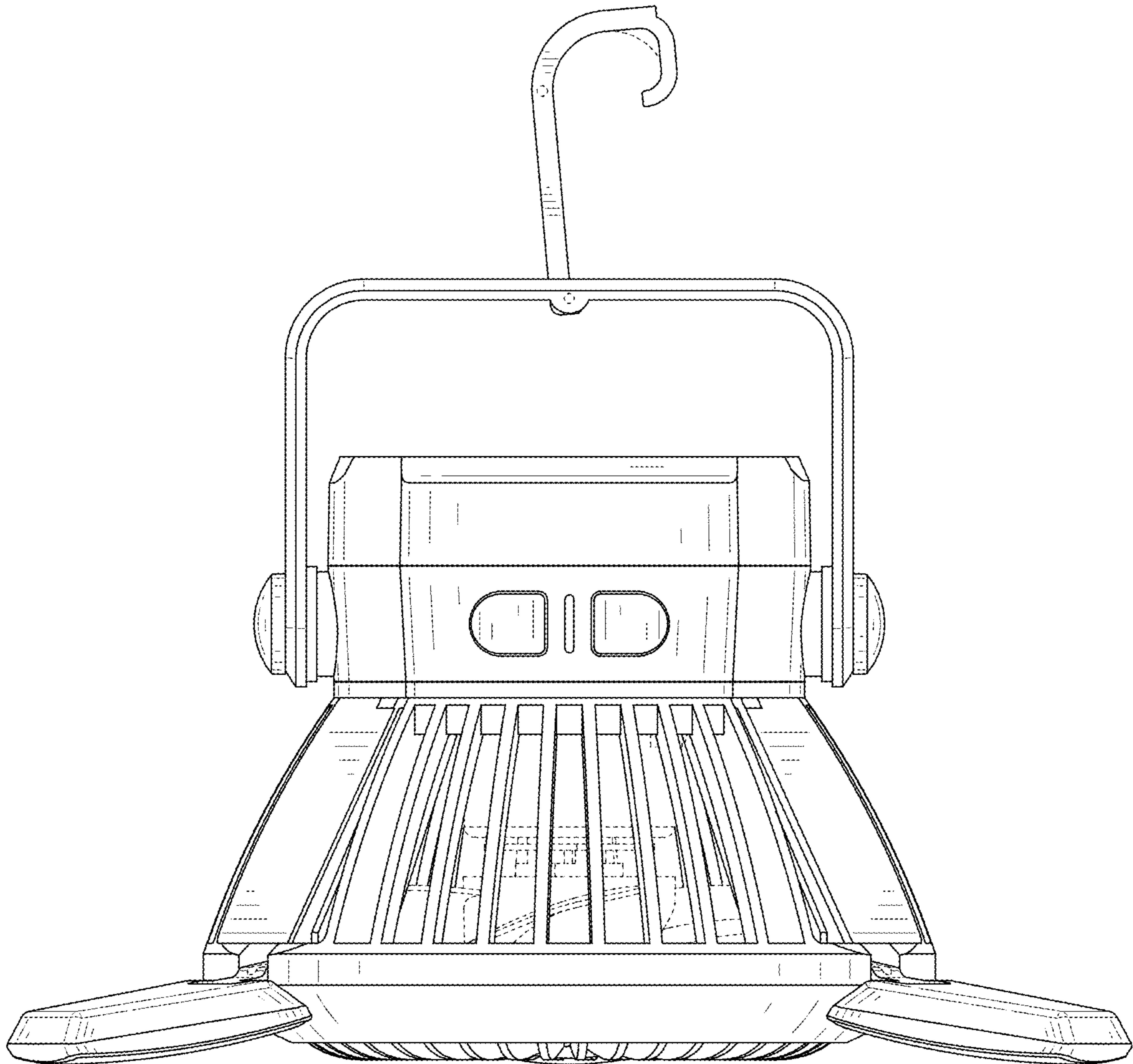


FIG. 2

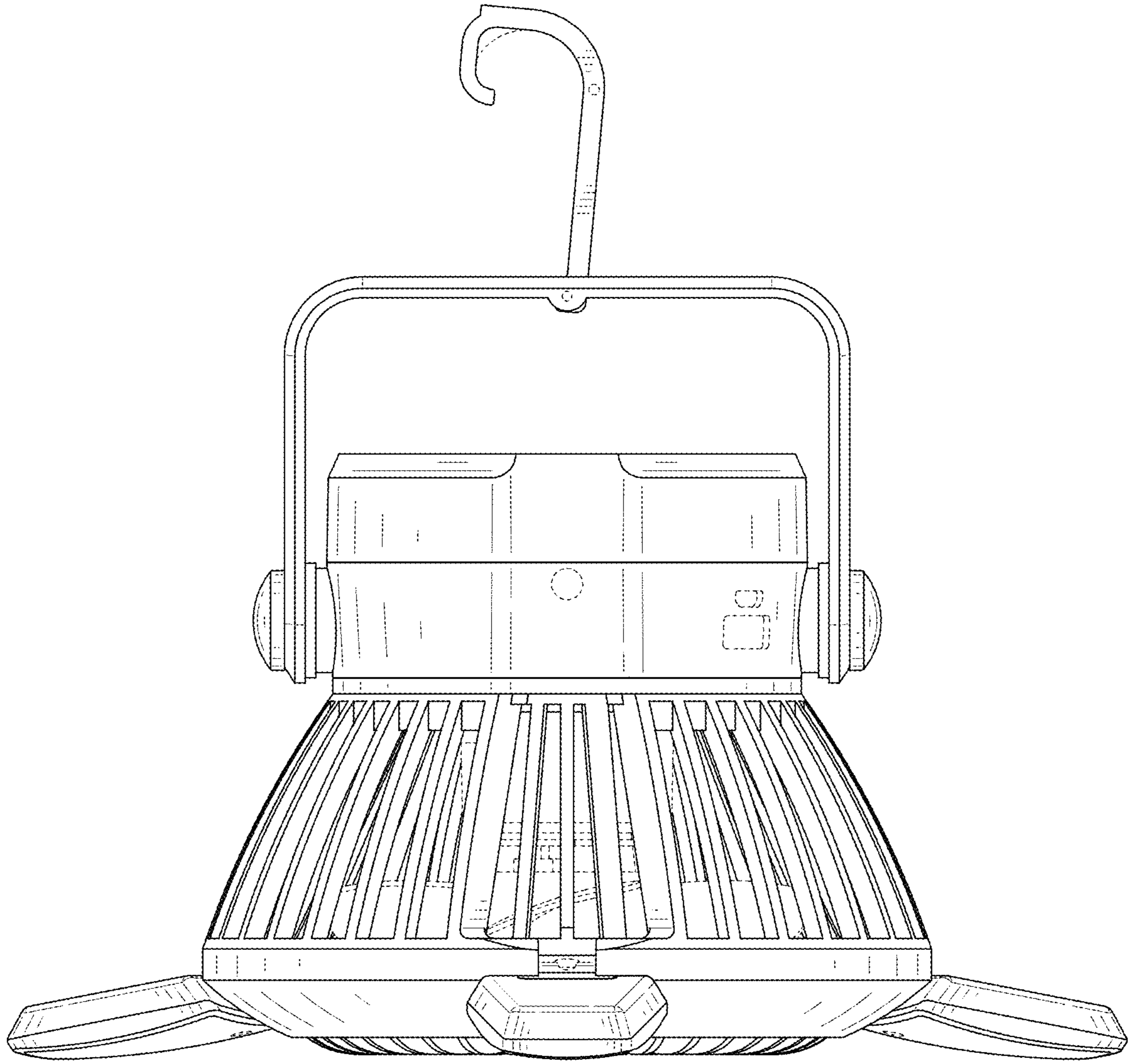


FIG. 3

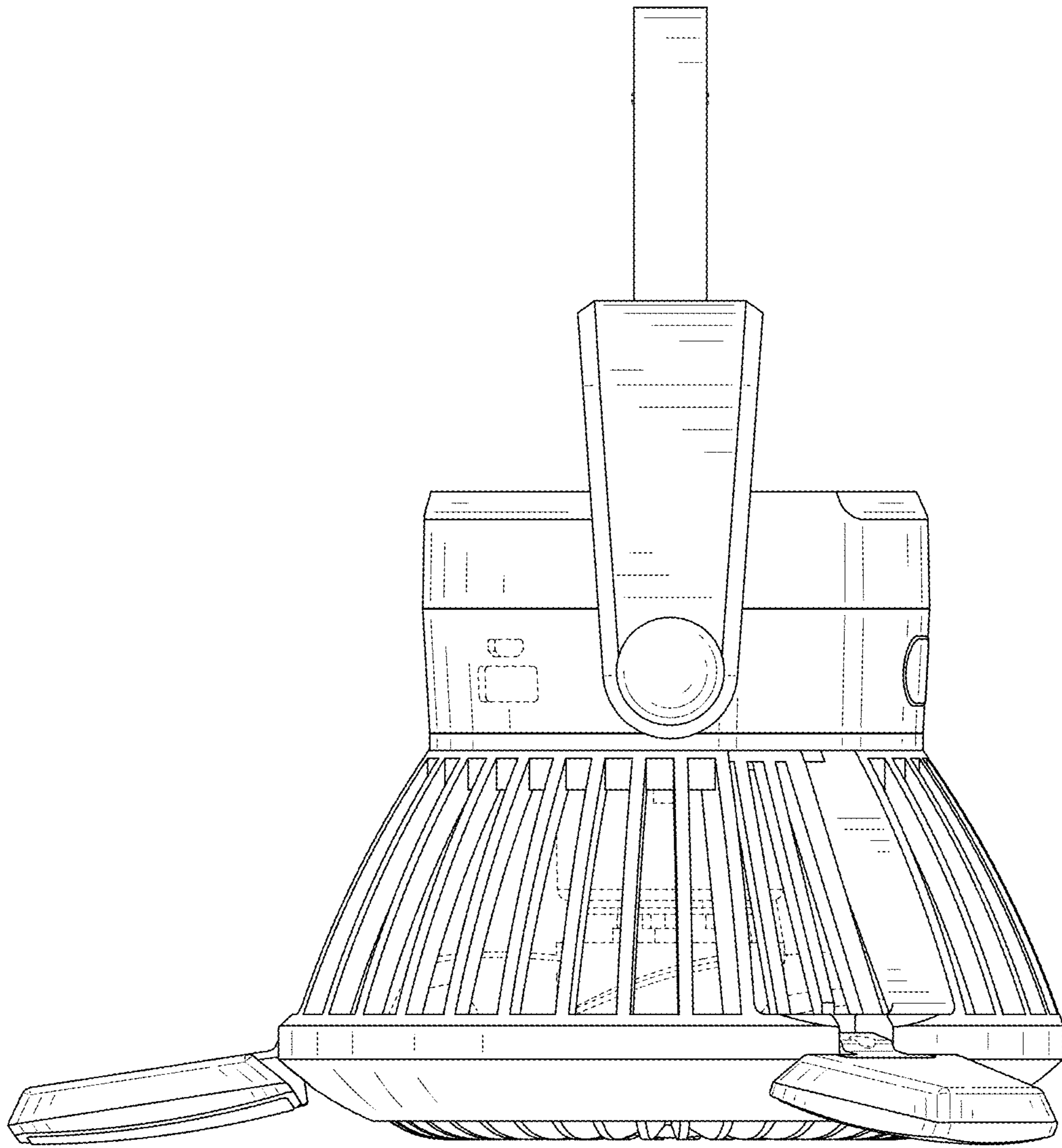


FIG. 4

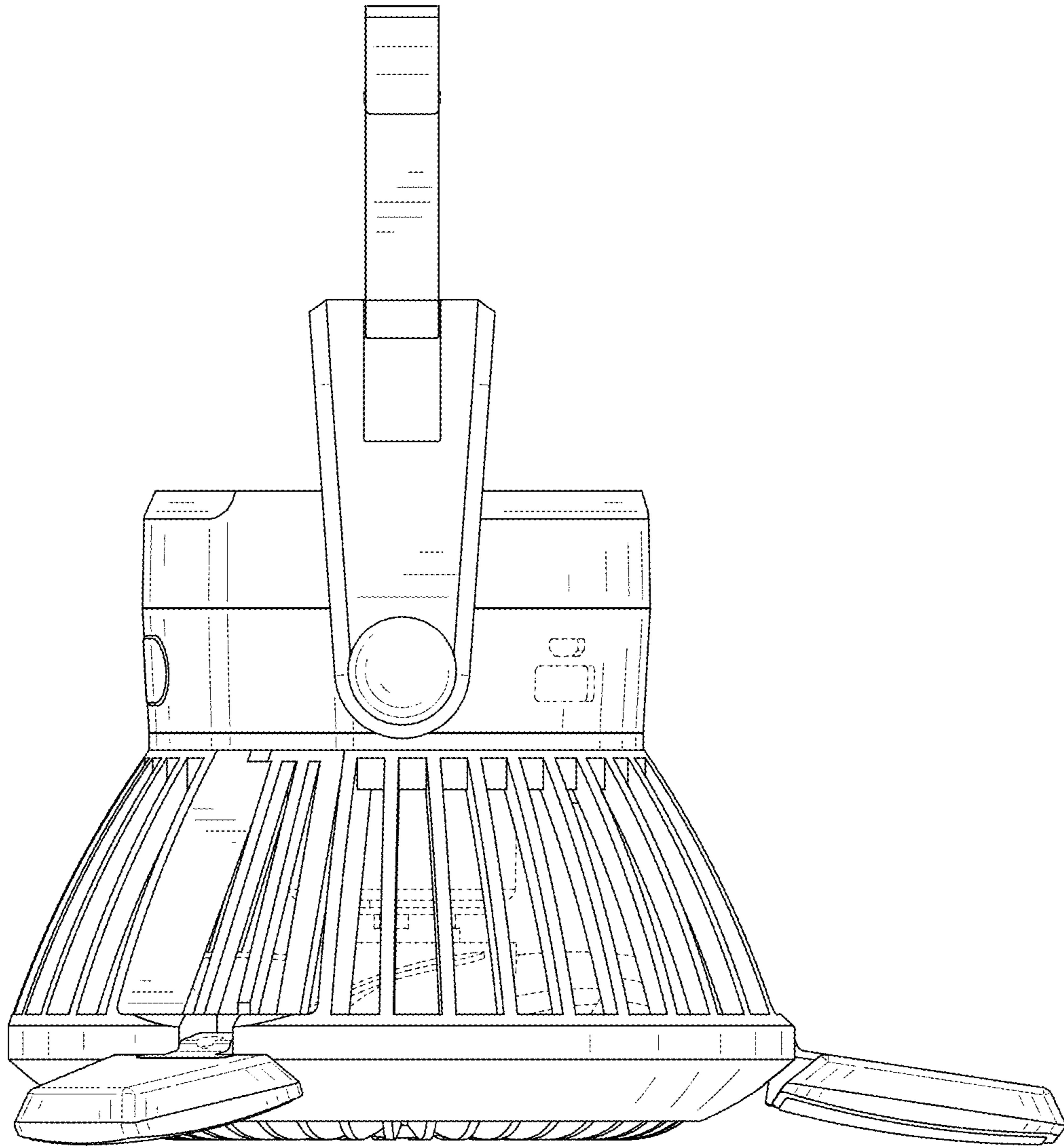


FIG. 5

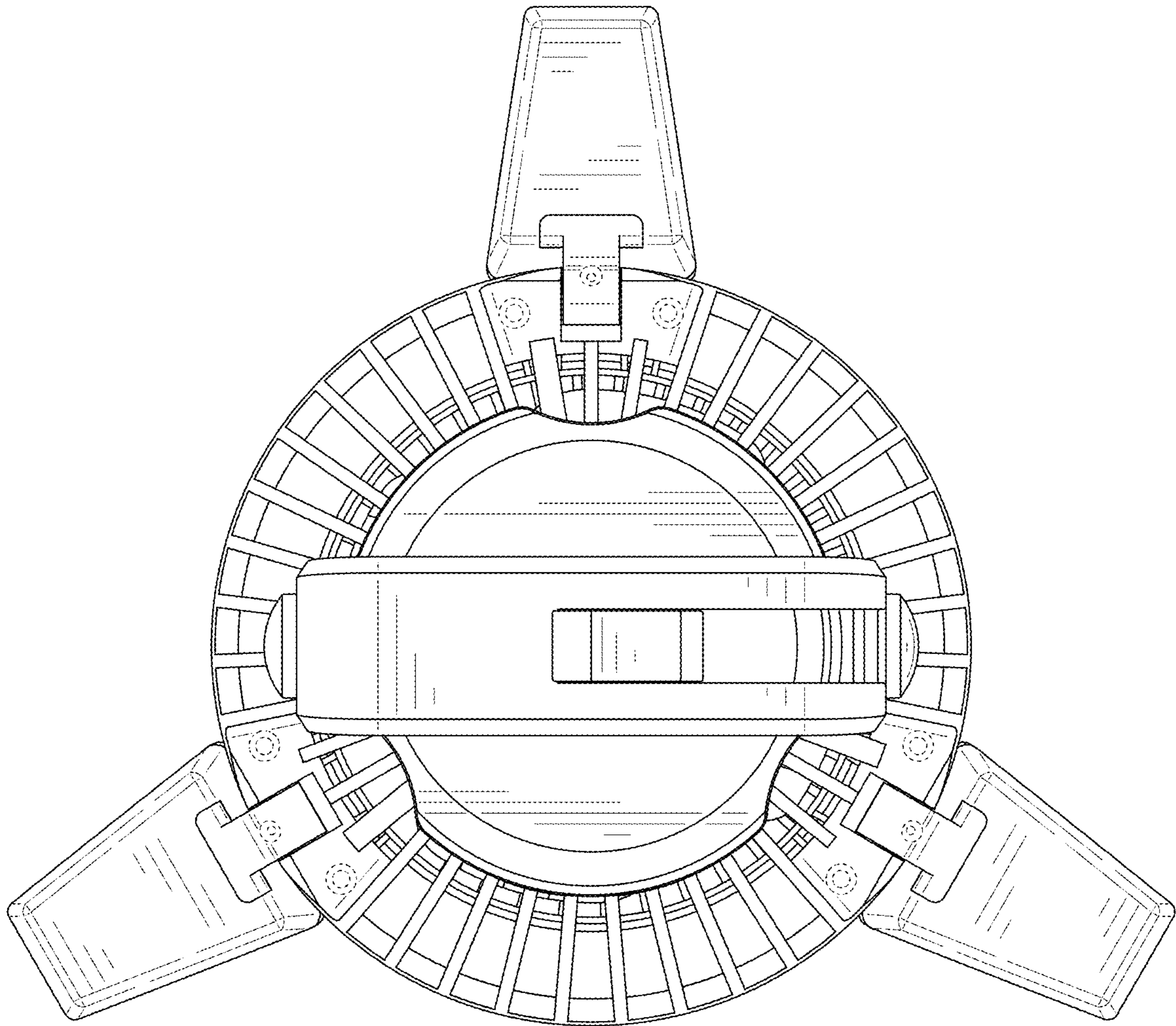


FIG. 6

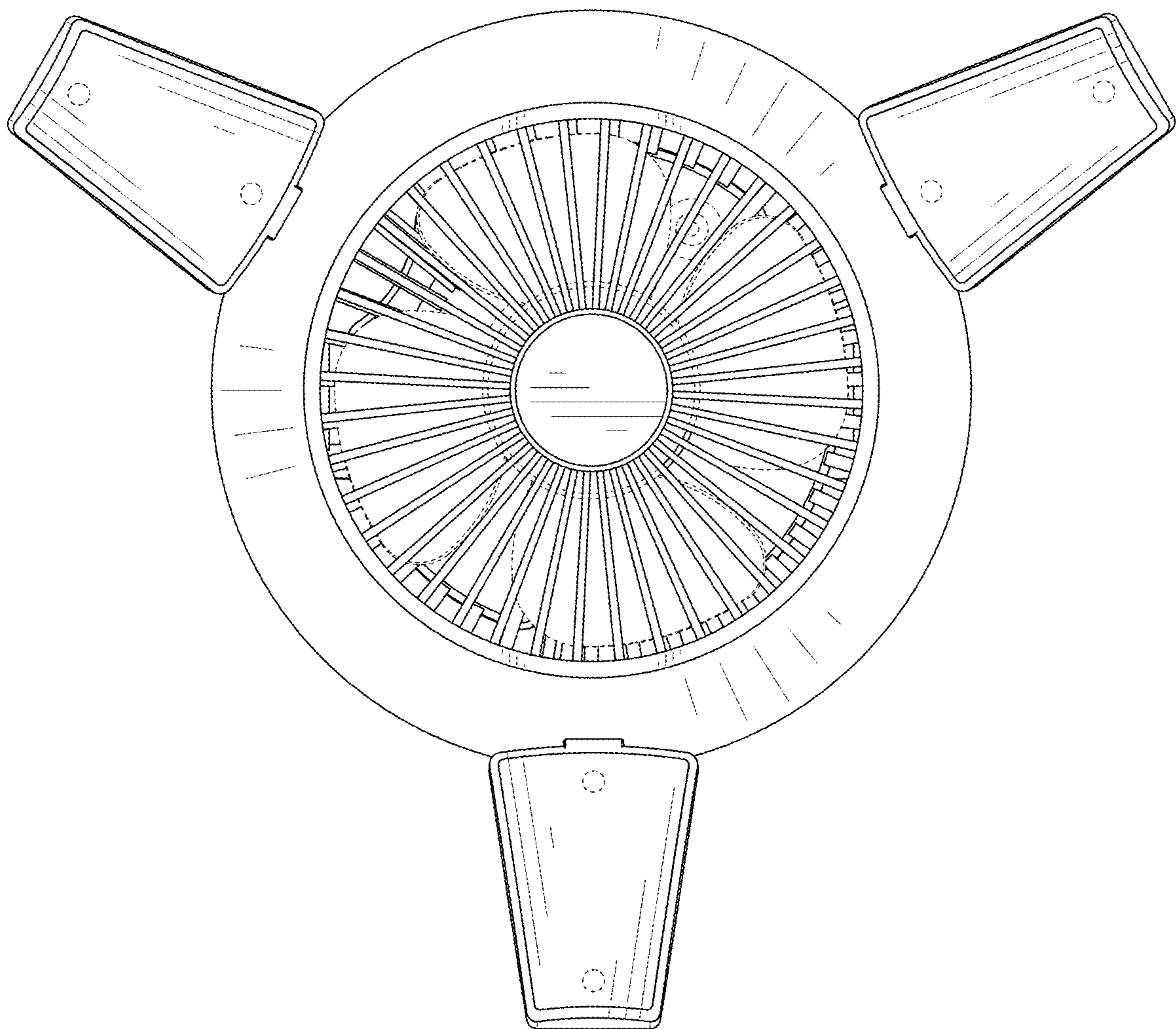


FIG. 7



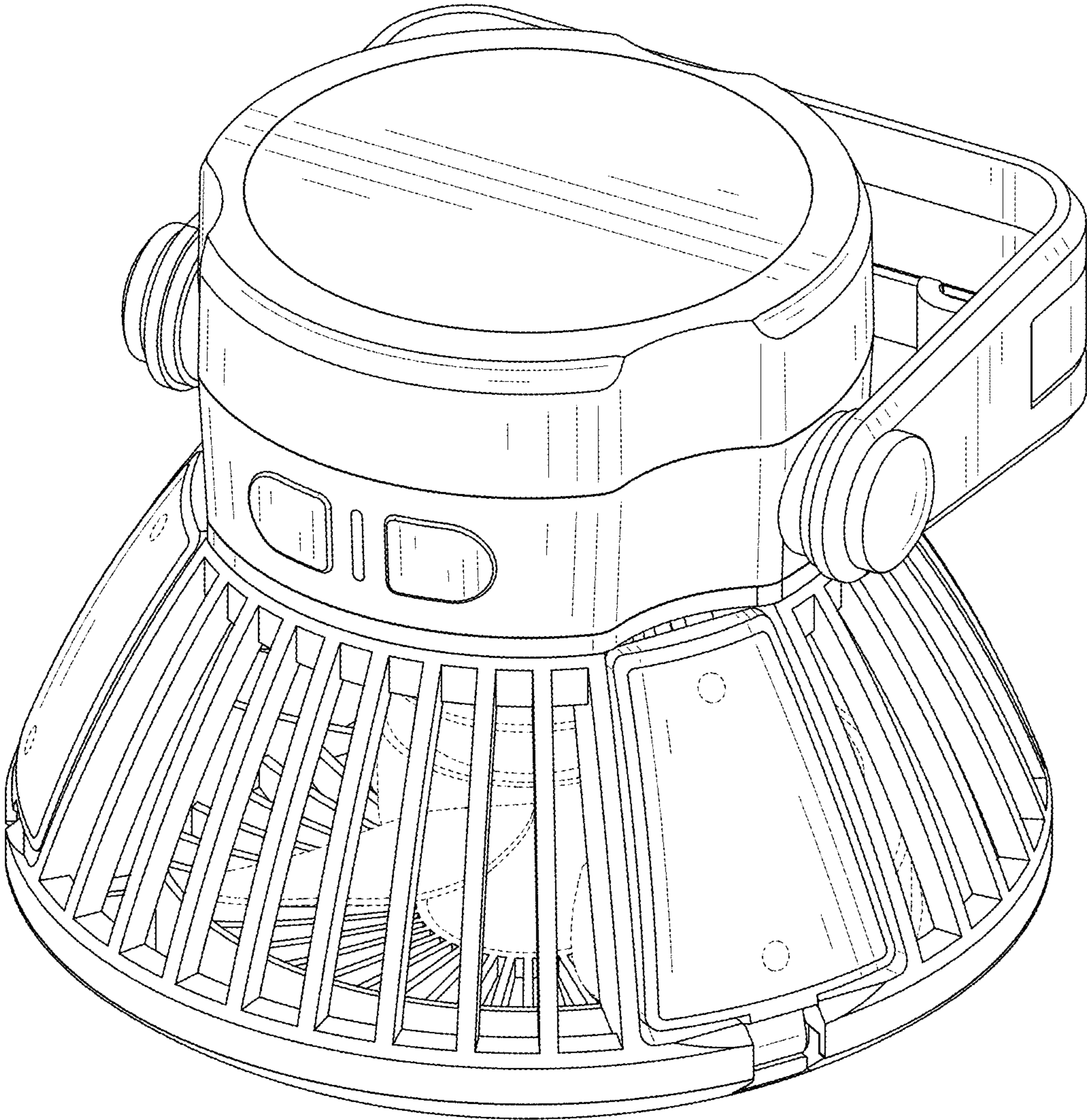


FIG. 8