



US00D903846S

(12) **United States Design Patent** (10) **Patent No.:** **US D903,846 S**
MacQueen et al. (45) **Date of Patent:** **** Dec. 1, 2020**

(54) **AIR PURIFIER** D374,071 S * 9/1996 Wang D23/332
7,025,798 B2 * 4/2006 Endo B01D 46/0023
55/385.1
(71) Applicant: **Dyson Technology Limited**, Wiltshire
(GB) 7,544,331 B1 * 6/2009 Pettaway A61L 9/03
422/125
(72) Inventors: **Neil Ewen Callum MacQueen**, Bristol
(GB); **Alexander James Morrison**,
Bristol (GB); **James Dyson**, Bristol
(GB); **Alexander Stuart Knox**,
Swindon (GB) D642,252 S * 7/2011 Paolazzi D23/366
D646,370 S * 10/2011 Kuo D23/366
D728,769 S * 5/2015 Dyson D23/342
D746,425 S * 12/2015 Dyson D23/356
D862,672 S * 10/2019 Chen D23/364
D863,774 S * 10/2019 Courtney D4/101
D869,764 S * 12/2019 Atkinson D28/19
(Continued)

(**) Term: **15 Years**

(21) Appl. No.: **29/680,328**

(22) Filed: **Feb. 14, 2019**

(30) **Foreign Application Priority Data**

Aug. 16, 2018 (EM) 005609369-0001

(51) **LOC (12) Cl.** **23-04**

(52) **U.S. Cl.**
USPC **D23/364**

(58) **Field of Classification Search**

USPC D23/355-366, 352, 369, 332, 333, 335,
D23/336, 342, 351; 422/120, 122;
55/356, 473, 504; 96/97; D14/188, 170,
D14/172; 261/DIG. 17, DIG. 65,
261/DIG. 88, DIG. 31; D18/34.6
CPC A61L 9/16; A61L 9/22; B01D 2259/4508;
B01D 47/00; B01D 47/027; B01D
2221/02; B03C 3/155; B03C 3/368; F24F
3/16; F24F 13/20; F24F 13/28; F24F
3/1405; F24F 3/1603; F24F 13/222
See application file for complete search history.

(56) **References Cited**

U.S. PATENT DOCUMENTS

D175,301 S * 8/1955 Fisher D23/362
D346,017 S * 4/1994 Lim D23/332

OTHER PUBLICATIONS

dyson.com, pure cool me, Mar. 19, 2019, <https://www.dyson.com/purifiers/dyson-pure-cool-me-overview.html> (Year: 2019).*

Primary Examiner — Nathan M Johnston
(74) *Attorney, Agent, or Firm* — Morrison & Foerster
LLP

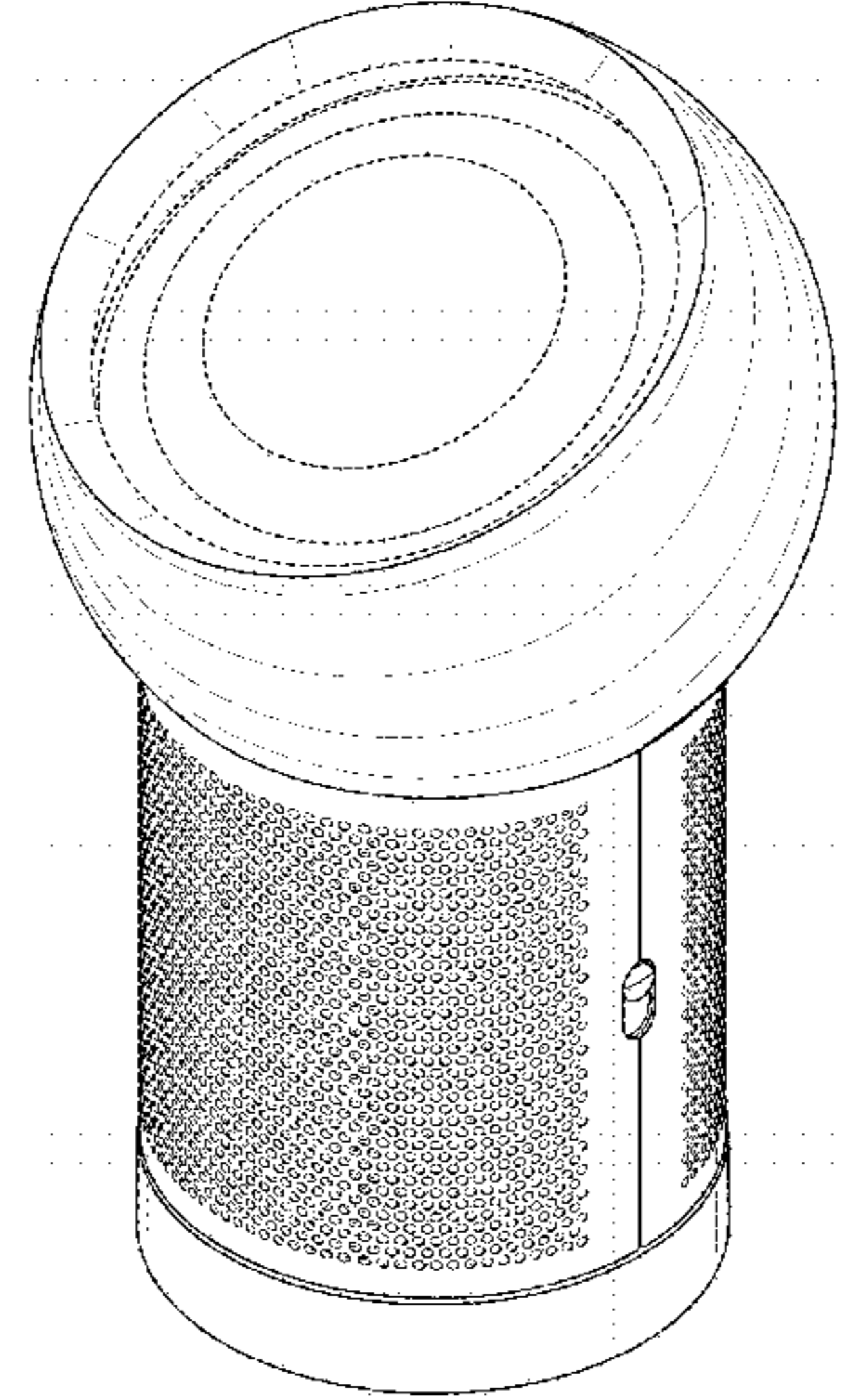
(57) **CLAIM**

We claim the ornamental design for an air purifier, as shown and described.

DESCRIPTION

FIG. 1 is a front perspective view of an air purifier showing our new design;
FIG. 2 is a front view thereof;
FIG. 3 is a rear view thereof;
FIG. 4 is a side view thereof;
FIG. 5 is a side view of the opposite side of FIG. 4;
FIG. 6 is a top view thereof; and,
FIG. 7 is a bottom view thereof.
The dash-dot lines shown in the drawings represent the bounds of the claimed design.
The broken lines shown in the drawings illustrate portions of an air purifier that form no part of the claimed design.

1 Claim, 7 Drawing Sheets



(56)

References Cited

U.S. PATENT DOCUMENTS

D870,255 S * 12/2019 Ao D23/364
D874,623 S * 2/2020 Lupi D23/333
2010/0270943 A1* 10/2010 Cook A61L 9/03
315/291
2010/0284168 A1* 11/2010 Walter A01M 1/205
362/96
2013/0280051 A1* 10/2013 Nicolas F04D 25/08
415/182.1
2013/0309066 A1* 11/2013 Atkinson F04D 29/664
415/119
2014/0124594 A1* 5/2014 Hsiao A61L 9/03
239/135
2014/0126892 A1* 5/2014 Hsiao B60H 3/0007
392/394
2014/0126893 A1* 5/2014 Hsiao A61L 9/03
392/403
2014/0133841 A1* 5/2014 Hsiao A61L 9/16
392/386
2014/0210114 A1* 7/2014 Staniforth F04D 25/08
261/30
2016/0114069 A1* 4/2016 Huynh A61L 9/037
261/142
2017/0252476 A1* 9/2017 Koontz A61L 9/037
2020/0030736 A1* 1/2020 Yun B01D 46/0056

* cited by examiner

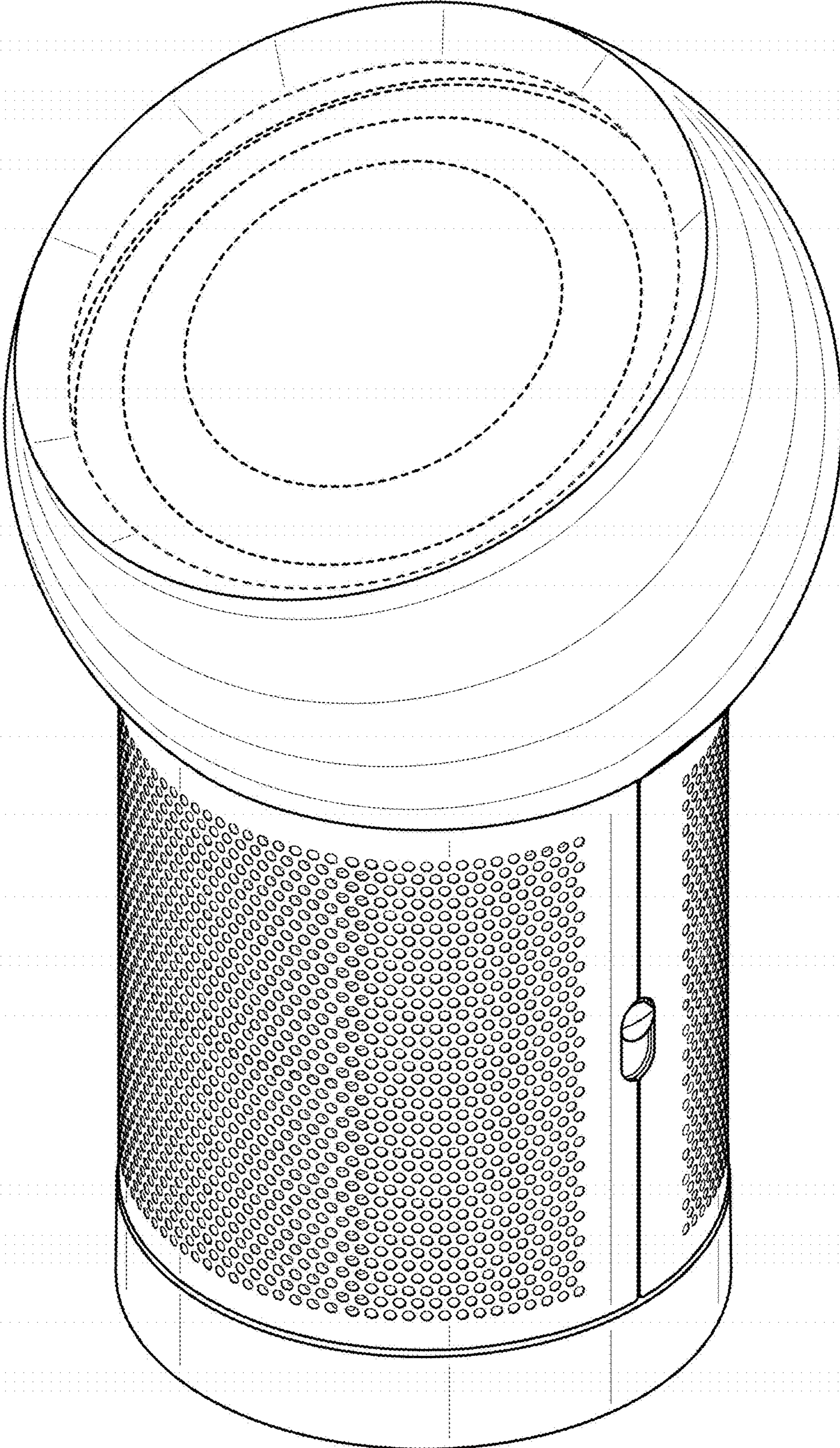


FIG. 1

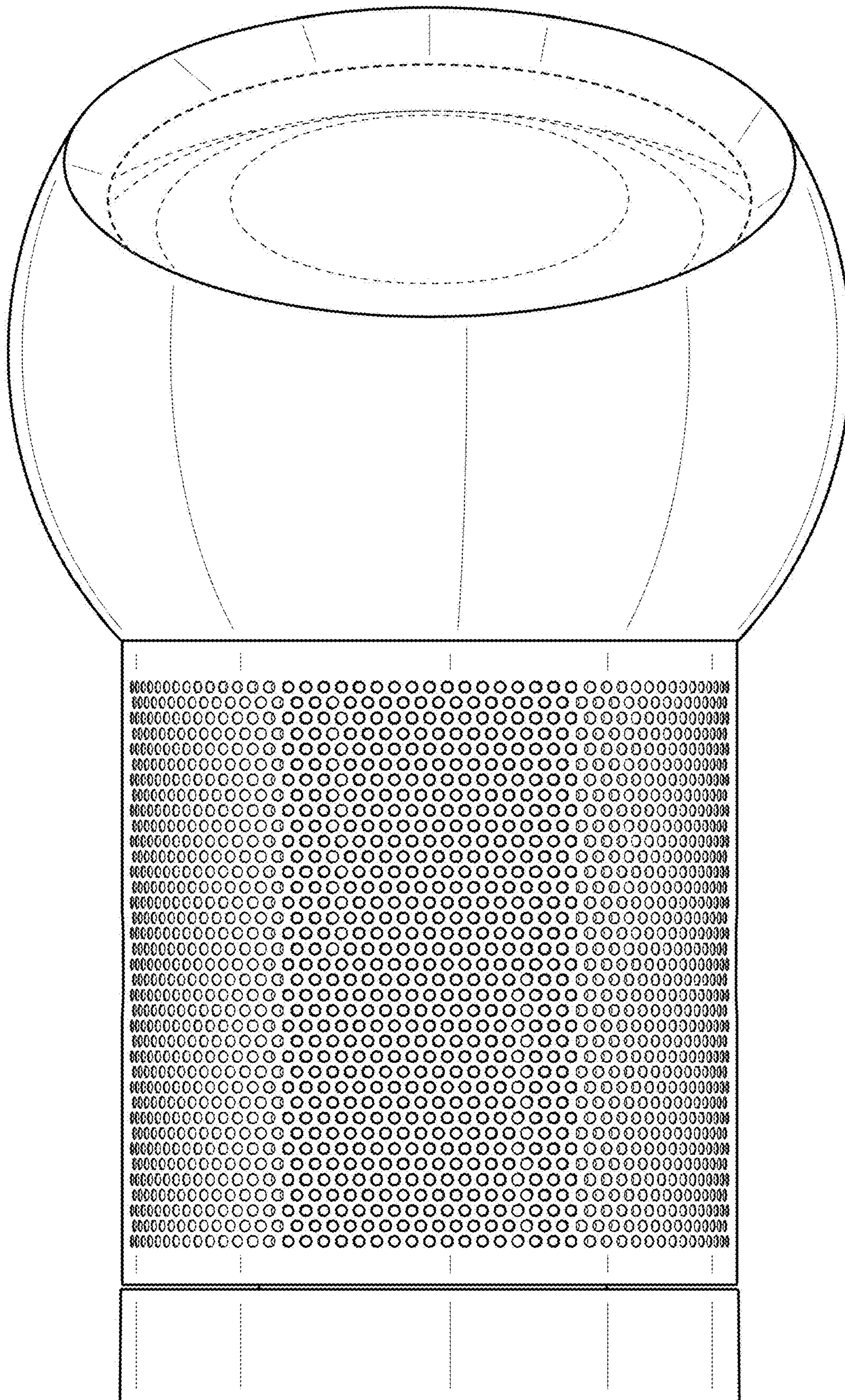


FIG. 2

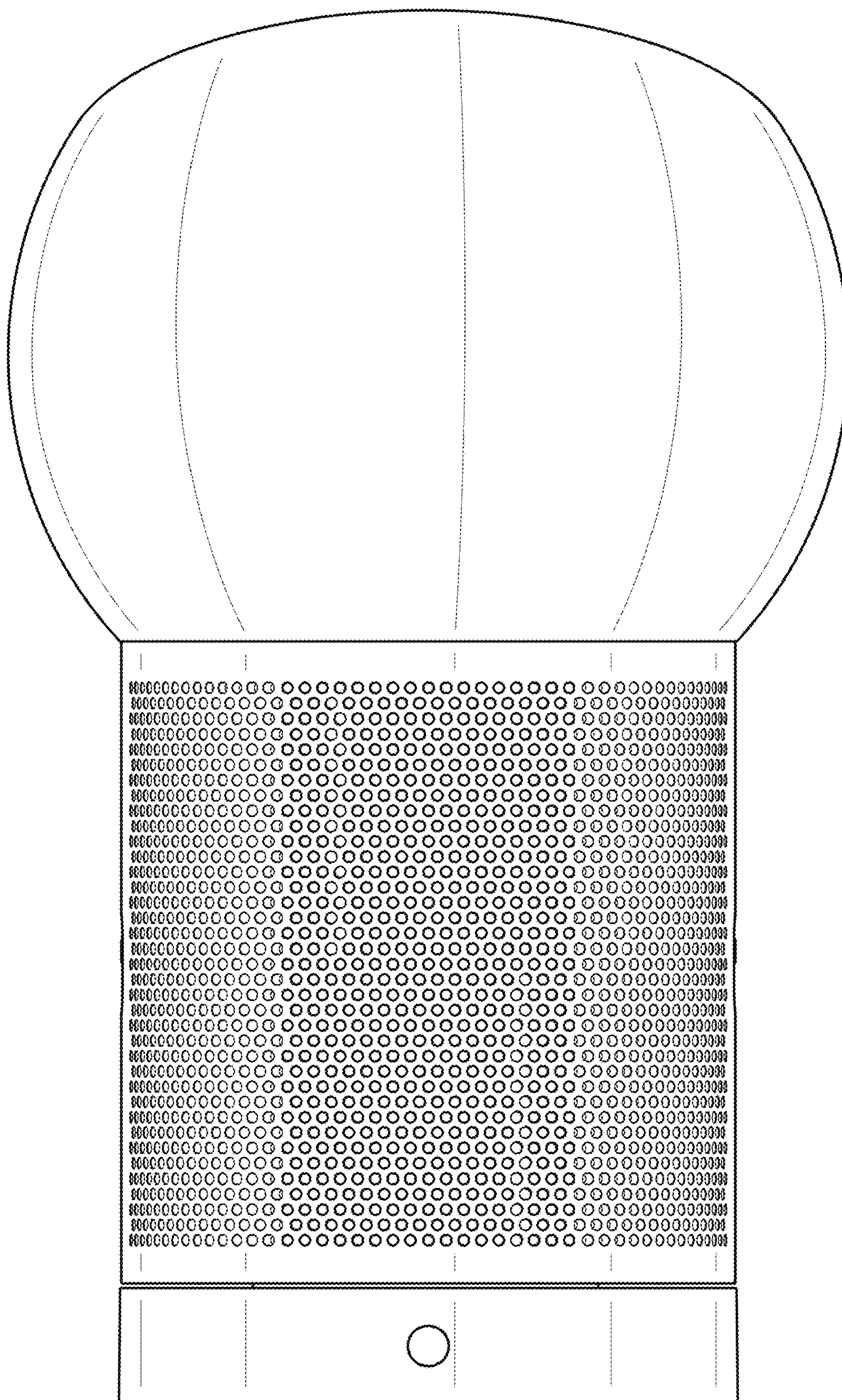


FIG. 3

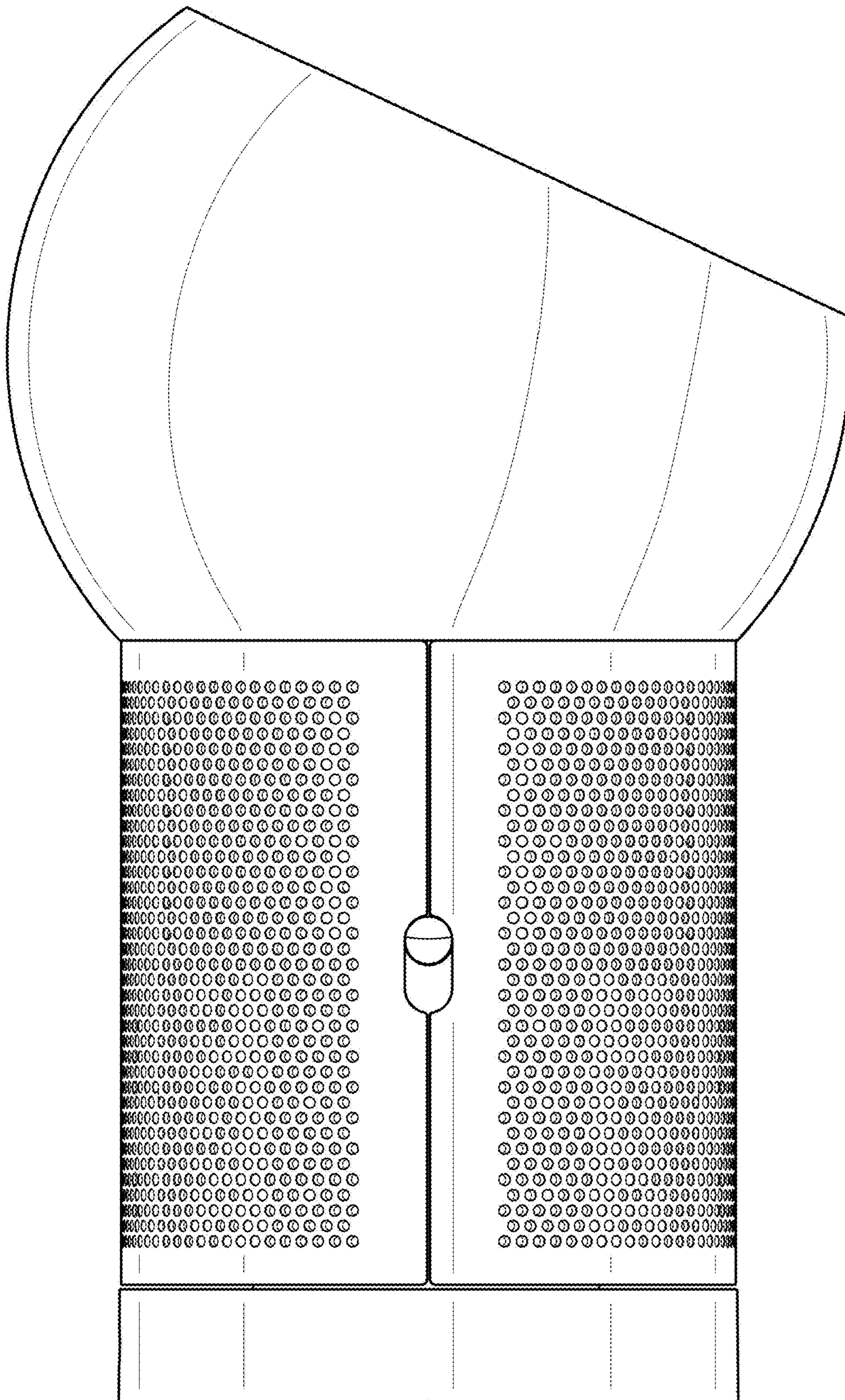


FIG. 4

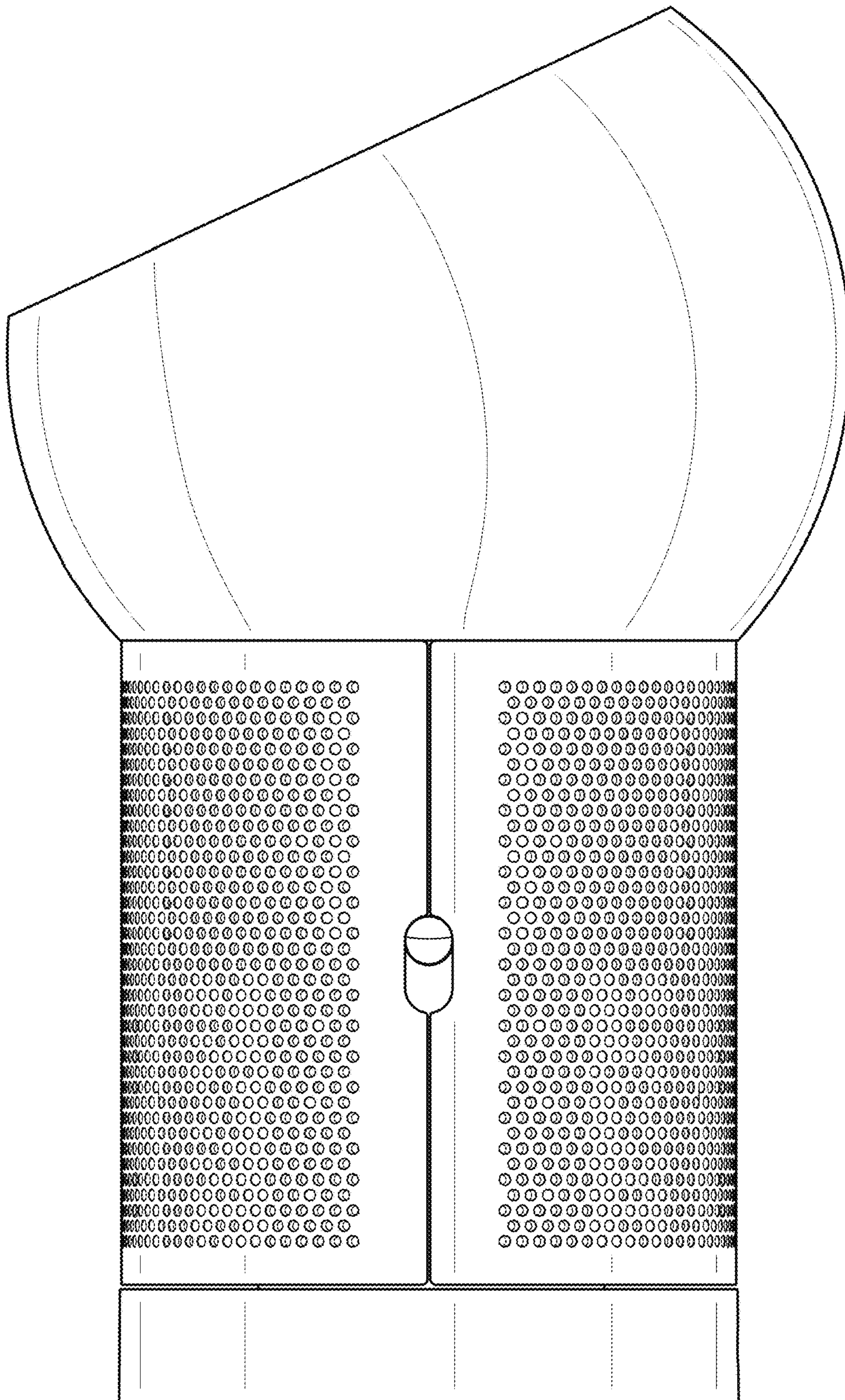


FIG. 5

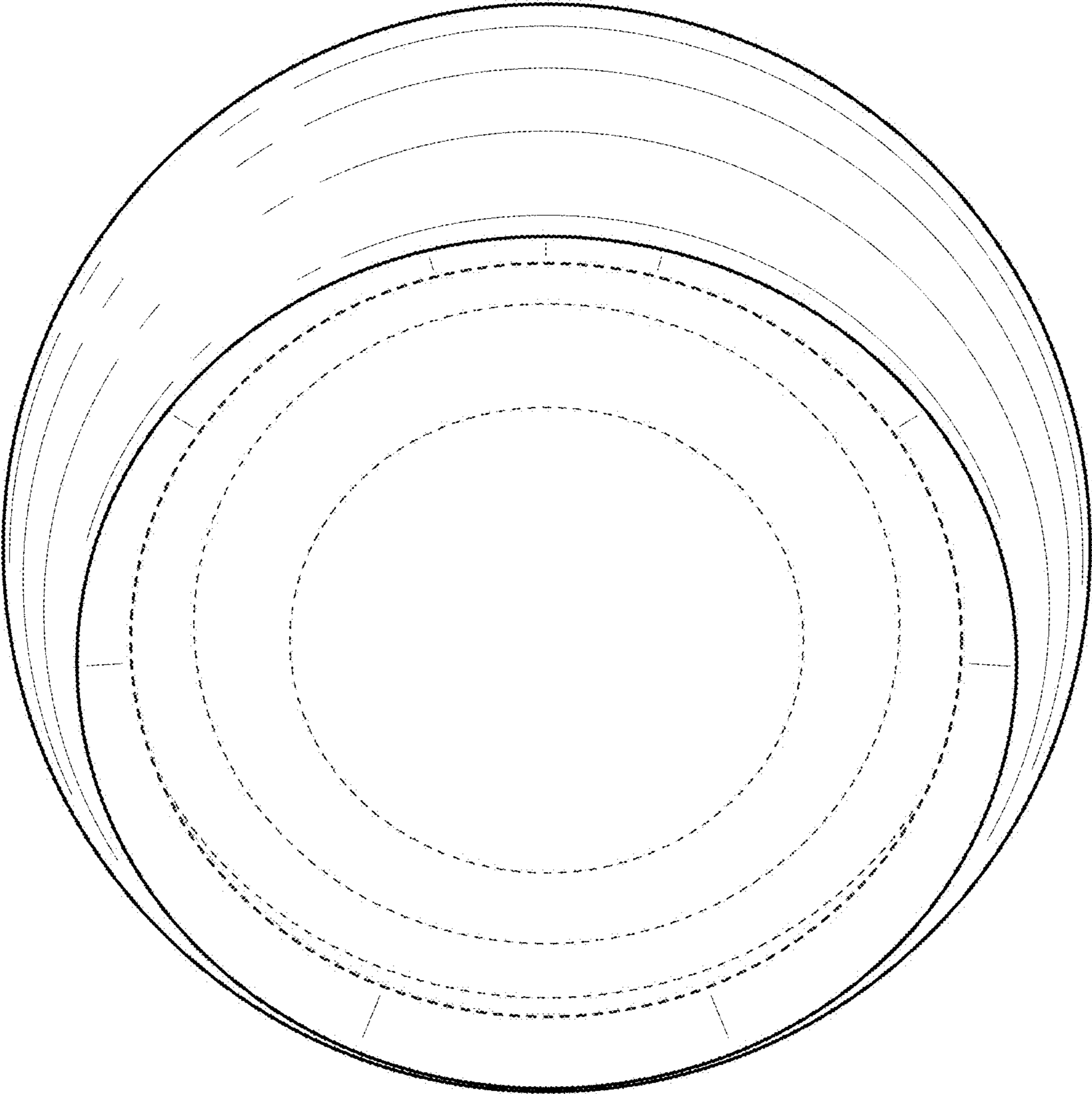


FIG. 6

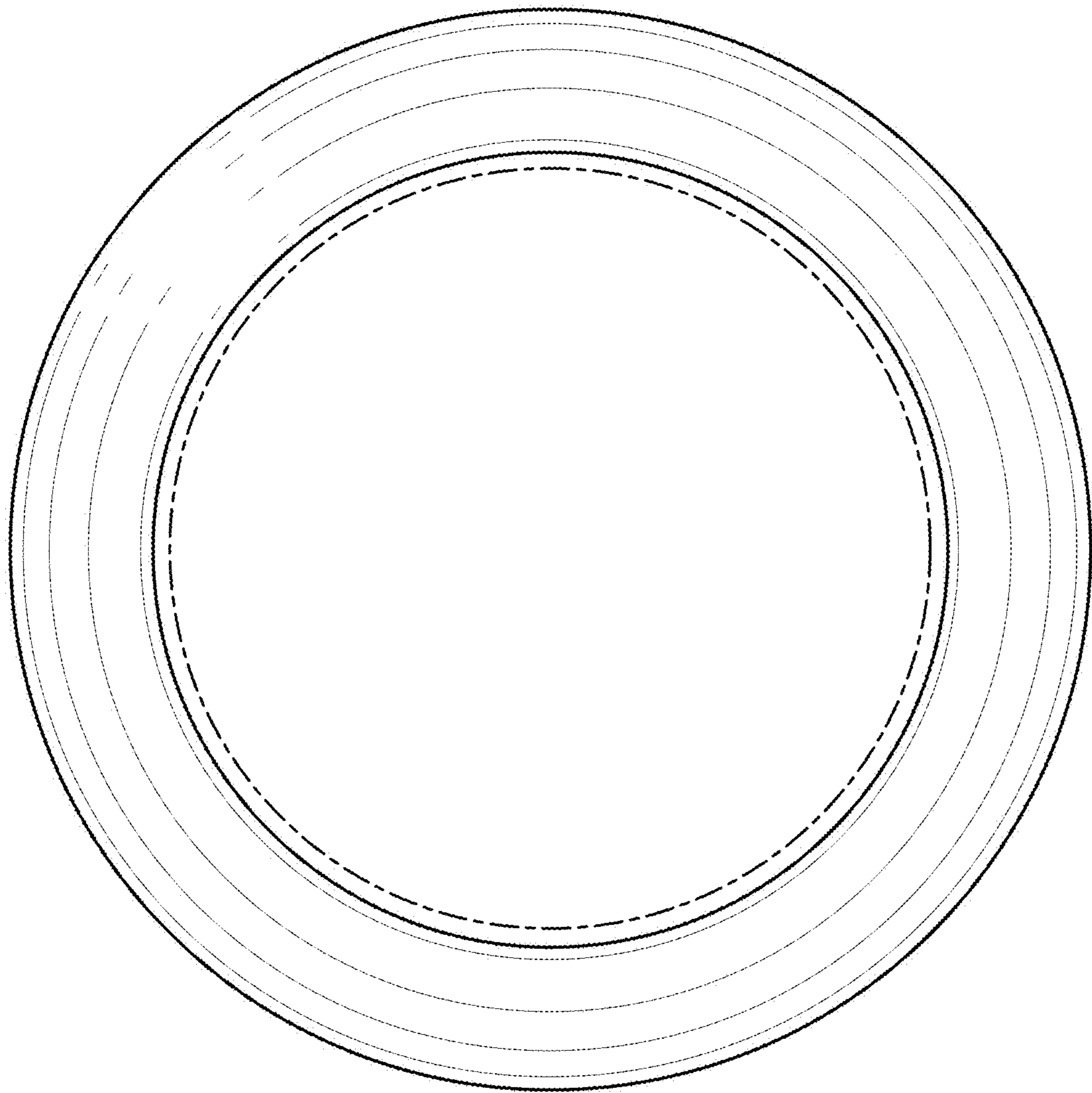


FIG. 7