



US00D903845S

(12) **United States Design Patent**
Zhang

(10) **Patent No.:** **US D903,845 S**

(45) **Date of Patent:** **** Dec. 1, 2020**

- (54) **AROMATHERAPY HUMIDIFIER**
- (71) Applicant: **Junhua Zhang**, Shenzhen (CN)
- (72) Inventor: **Junhua Zhang**, Shenzhen (CN)
- (**) Term: **15 Years**
- (21) Appl. No.: **29/745,933**
- (22) Filed: **Aug. 11, 2020**
- (51) **LOC (12) Cl.** **23-04**
- (52) **U.S. Cl.**
USPC **D23/356**
- (58) **Field of Classification Search**
USPC D23/355-366, 352, 369, 332, 333, 335,
D23/336, 342, 351; 422/120, 122;
55/356, 473, 504; 96/97; 261/DIG. 17,
261/DIG. 65, DIG. 88, DIG. 31
CPC .. A61L 9/16; A61L 9/22; B01D 47/00; B01D
47/027; B01D 2221/02; B01D 2259/4508;
B03C 3/155; B03C 3/368; F24F 3/16;
F24F 13/20; F24F 13/28; F24F
2001/0096
See application file for complete search history.

D805,172 S *	12/2017	Nanda	D23/366
D815,720 S	4/2018	Hu		
D831,814 S *	10/2018	Lo	D23/366
D831,815 S *	10/2018	Davis, II	D23/366
D835,772 S *	12/2018	Wei	D23/366
D880,671 S *	4/2020	Wang	D23/366
D886,271 S *	6/2020	Lu	D23/359
D898,178 S *	10/2020	Wang	D23/366
2019/0219288 A1 *	7/2019	Seo	F24F 6/02
2019/0262763 A1 *	8/2019	Lu	B01D 53/263

* cited by examiner

Primary Examiner — David G Muller

(57) **CLAIM**

The ornamental design for an aromatherapy humidifier, as shown and described.

DESCRIPTION

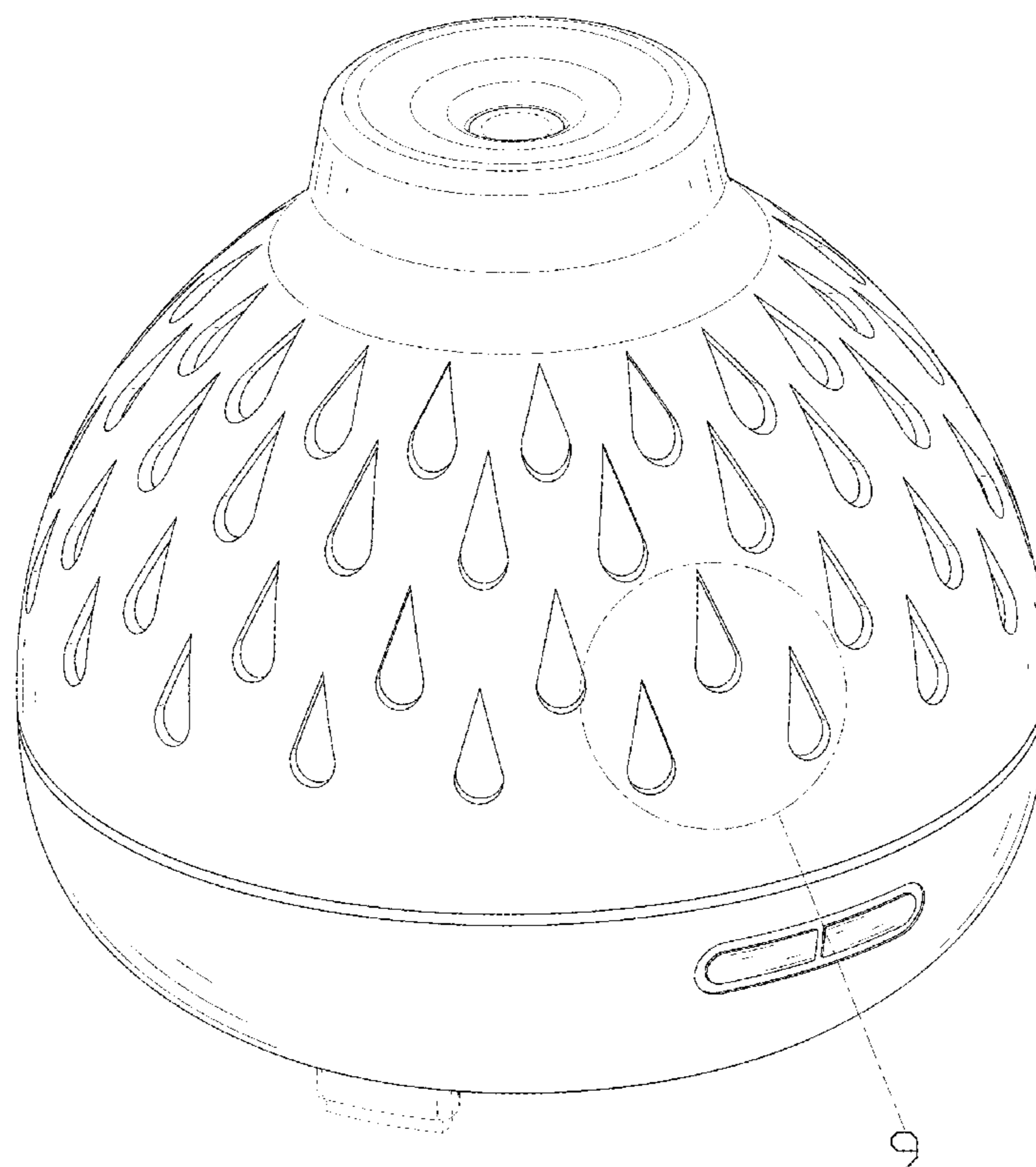
FIG. 1 is a perspective view of an aromatherapy humidifier showing my new design;
 FIG. 2 is another perspective view thereof;
 FIG. 3 is a front elevational view thereof;
 FIG. 4 is a rear elevational view thereof;
 FIG. 5 is a left side elevational view thereof;
 FIG. 6 is a right side elevational view thereof;
 FIG. 7 is a top plan view thereof;
 FIG. 8 is a bottom plan view thereof; and,
 FIG. 9 is an enlarged view of portion 9 shown in FIG. 1.
 The broken lines in the drawings depict portions of the aromatherapy humidifier that form no part of the claimed design.

1 Claim, 9 Drawing Sheets

(56) **References Cited**

U.S. PATENT DOCUMENTS

D719,248 S *	12/2014	Smith, Jr.	D23/356
D771,785 S *	11/2016	Huang	D23/366
D794,841 S *	8/2017	Unnikrishnan	D26/9
D800,285 S *	10/2017	Seo	D23/358



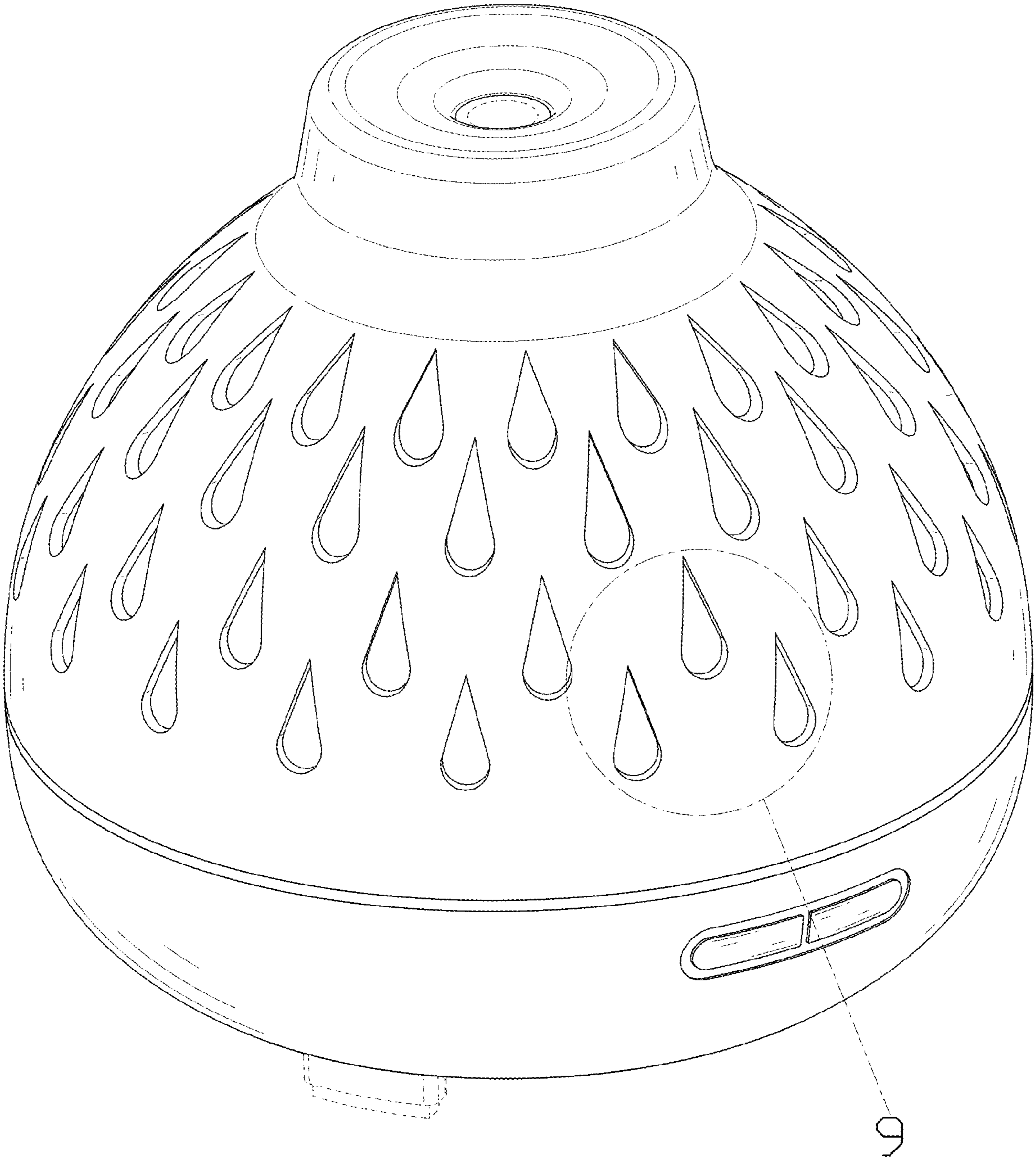


FIG. 1

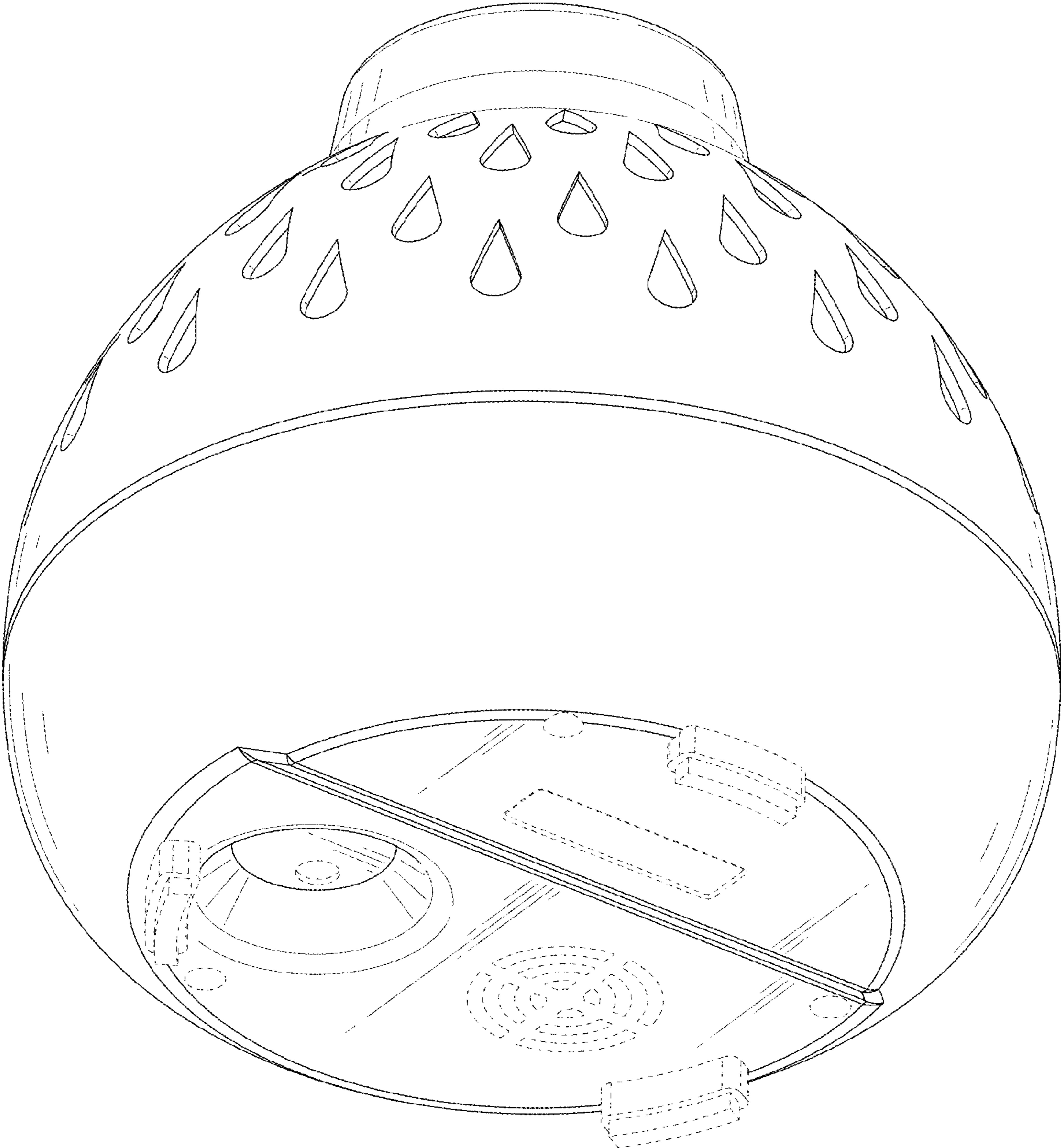


FIG. 2

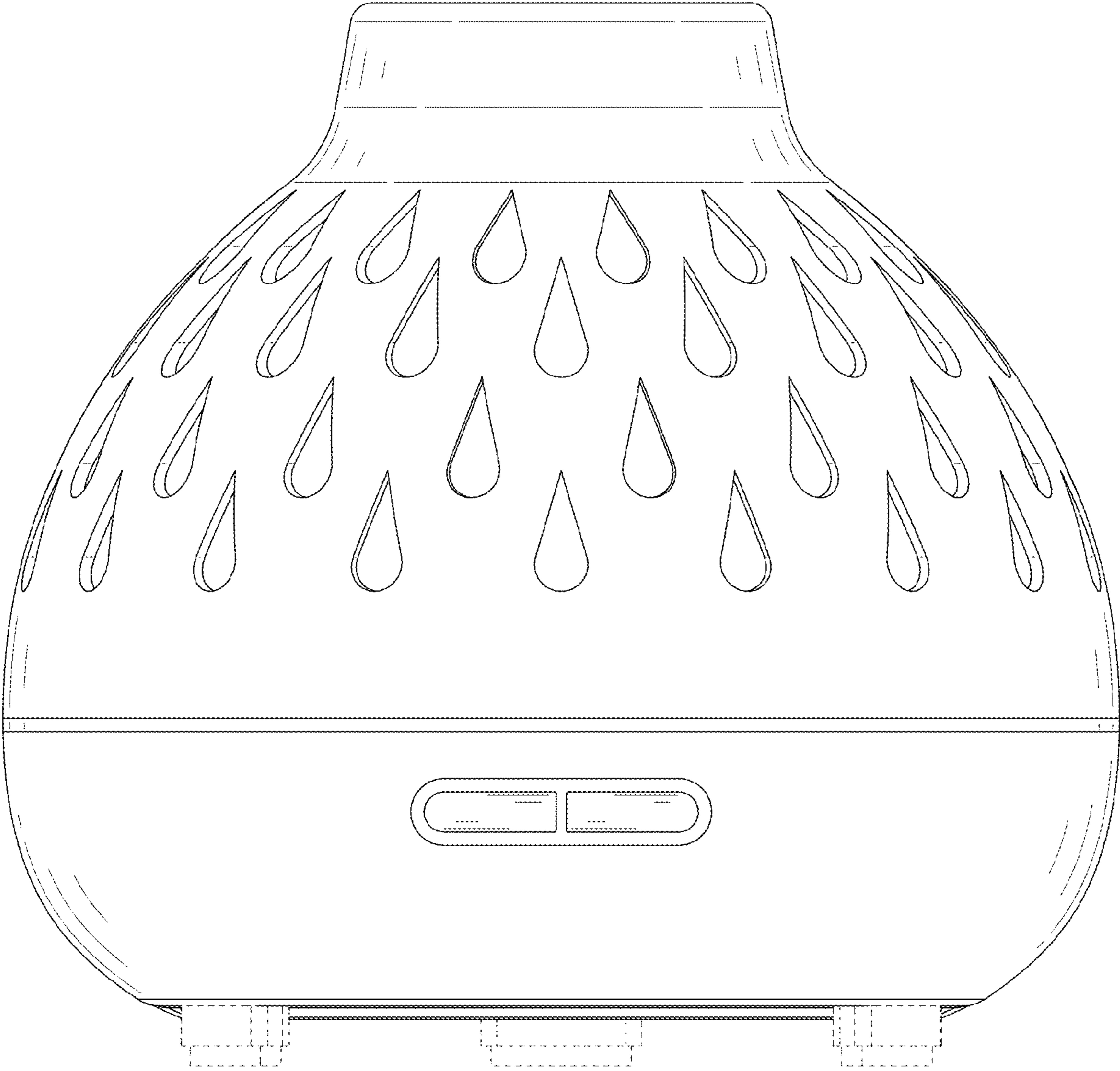


FIG. 3

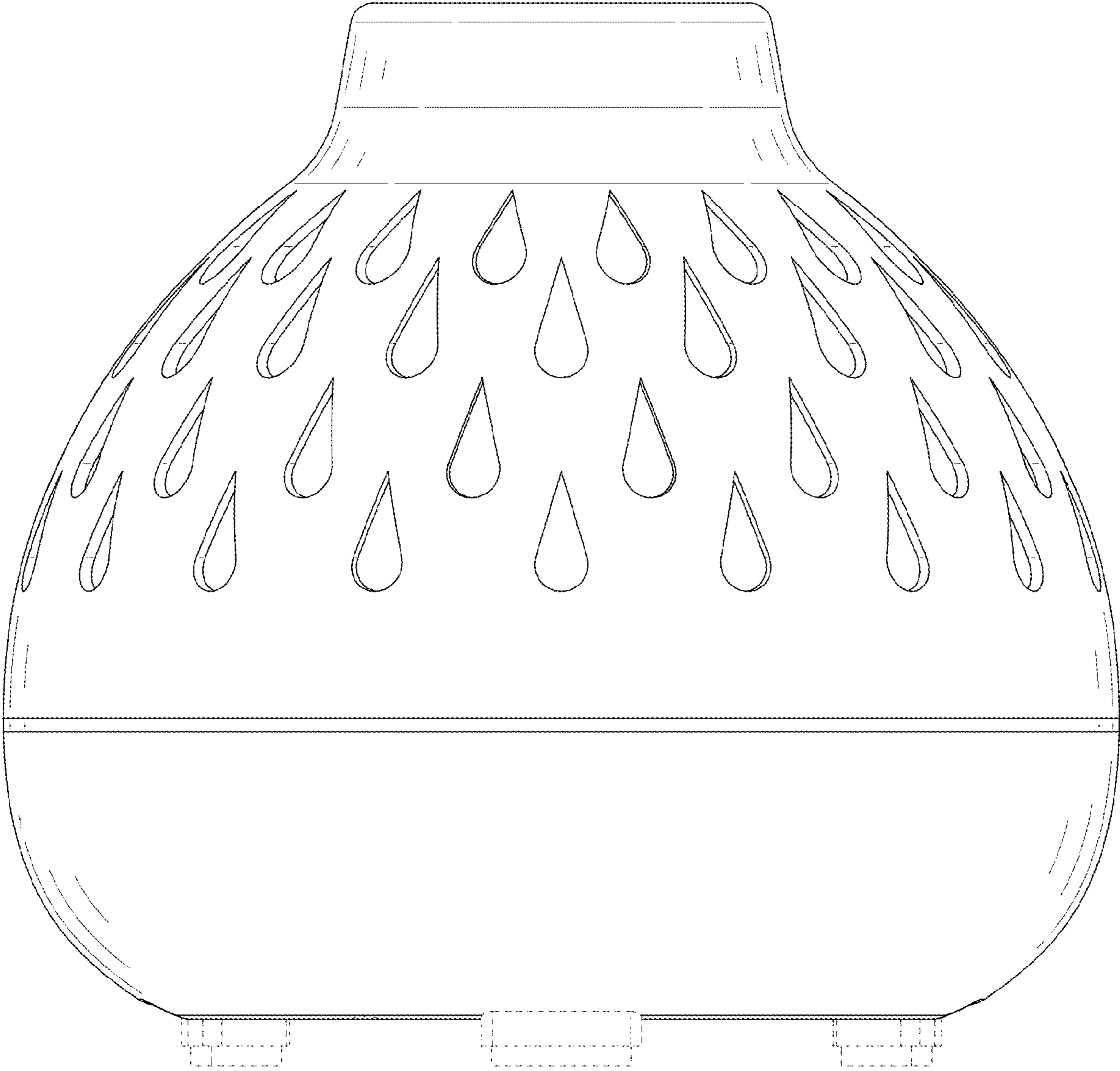


FIG. 4

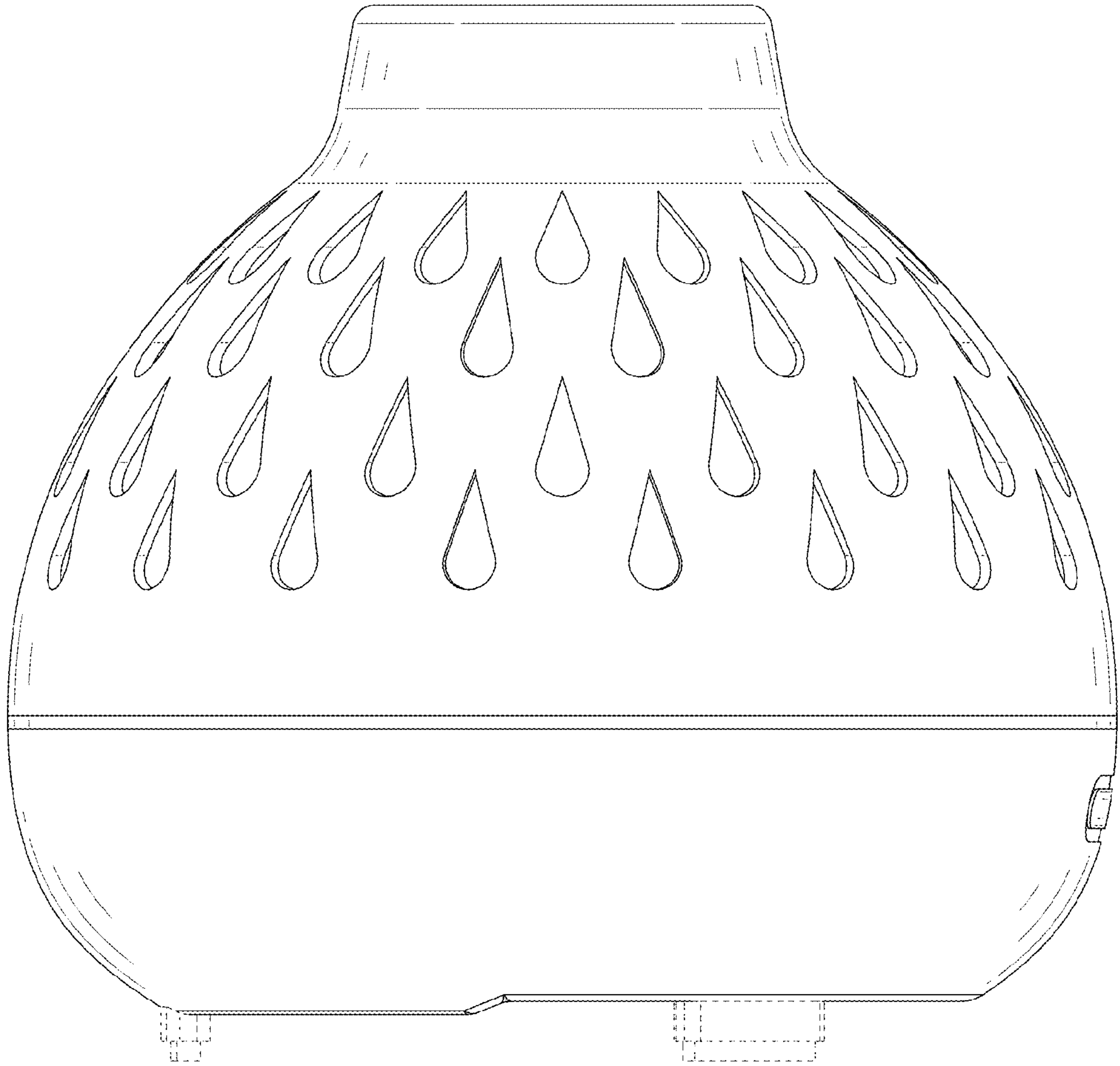


FIG. 5

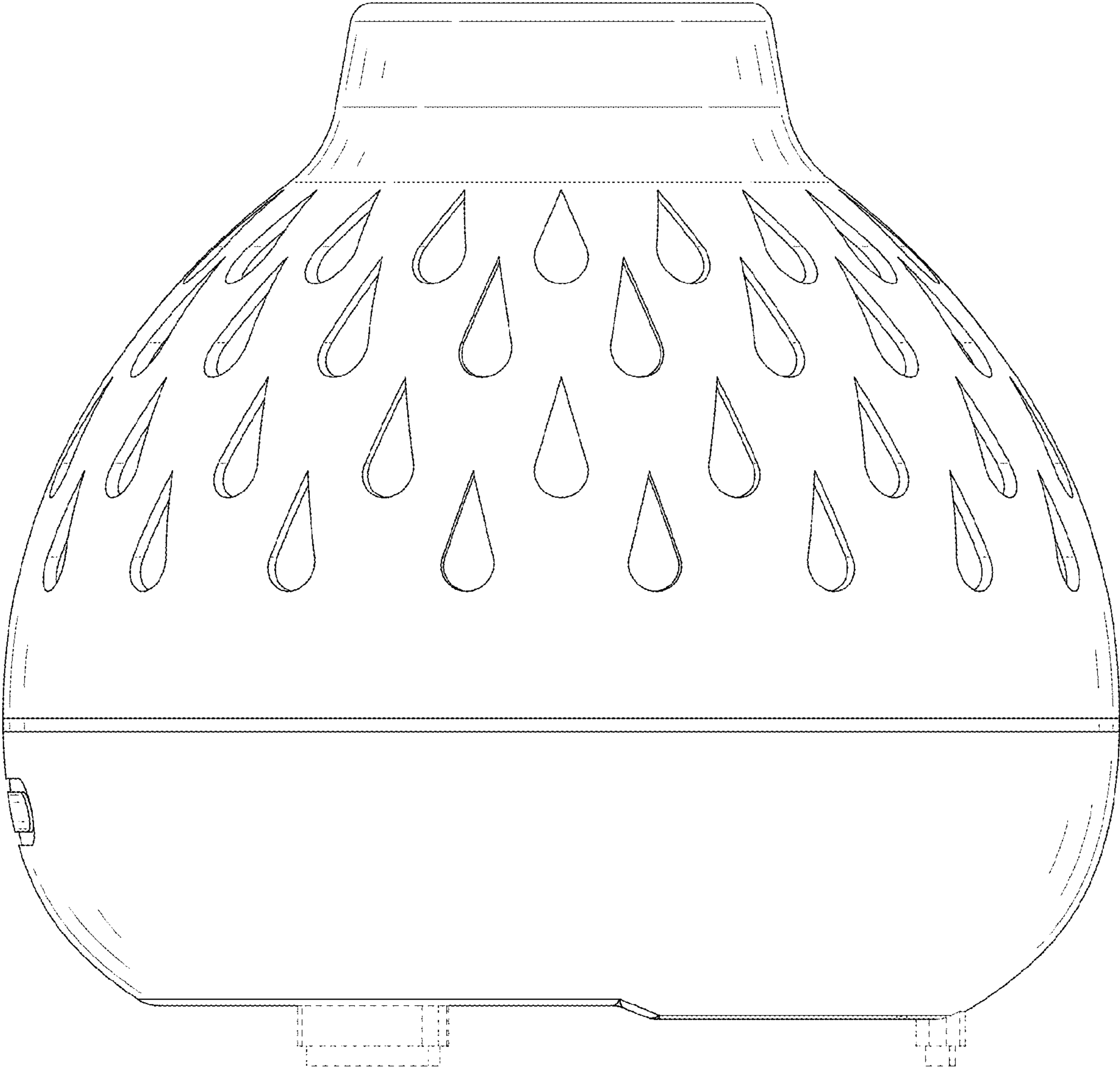


FIG. 6

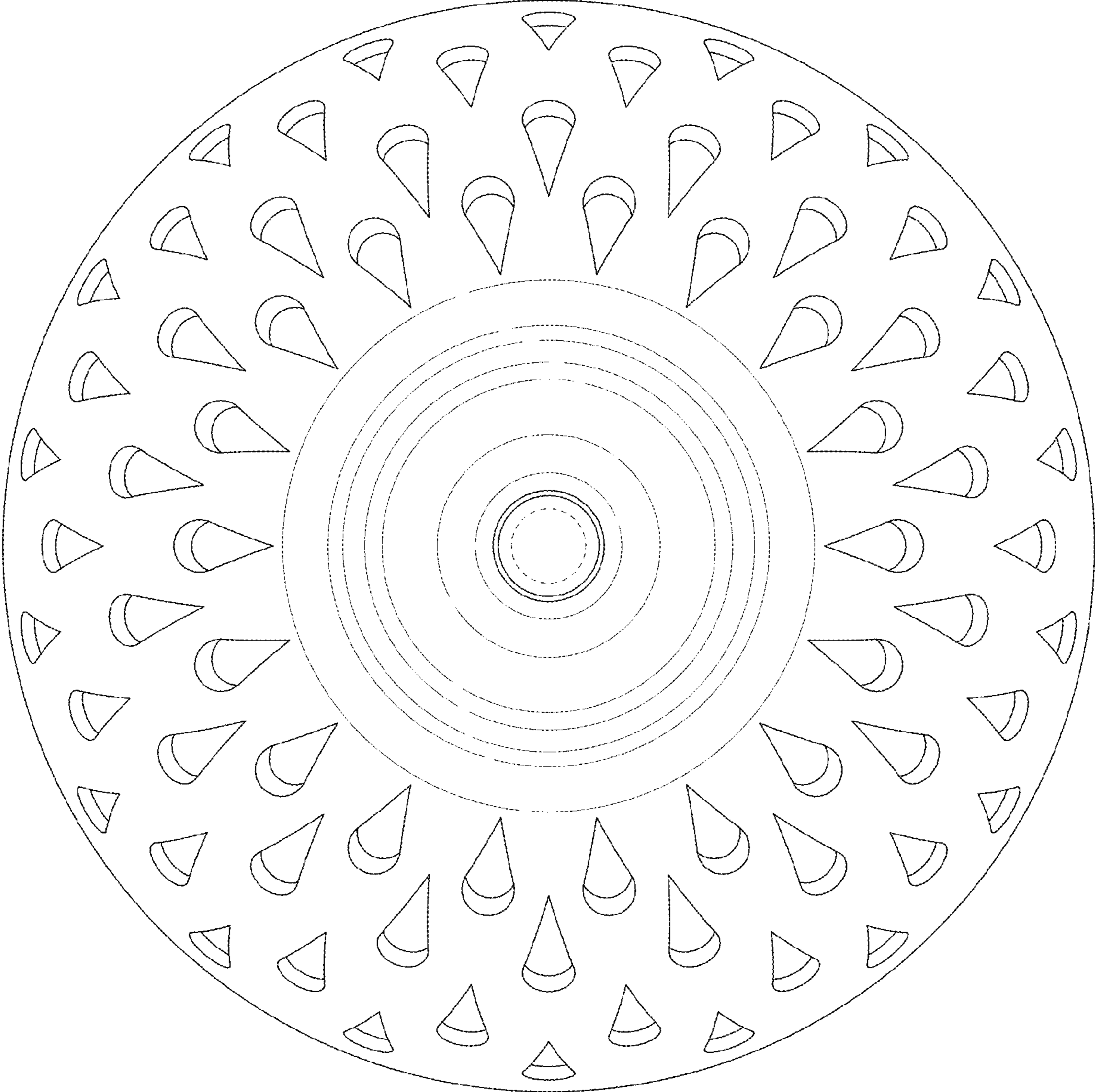


FIG. 7

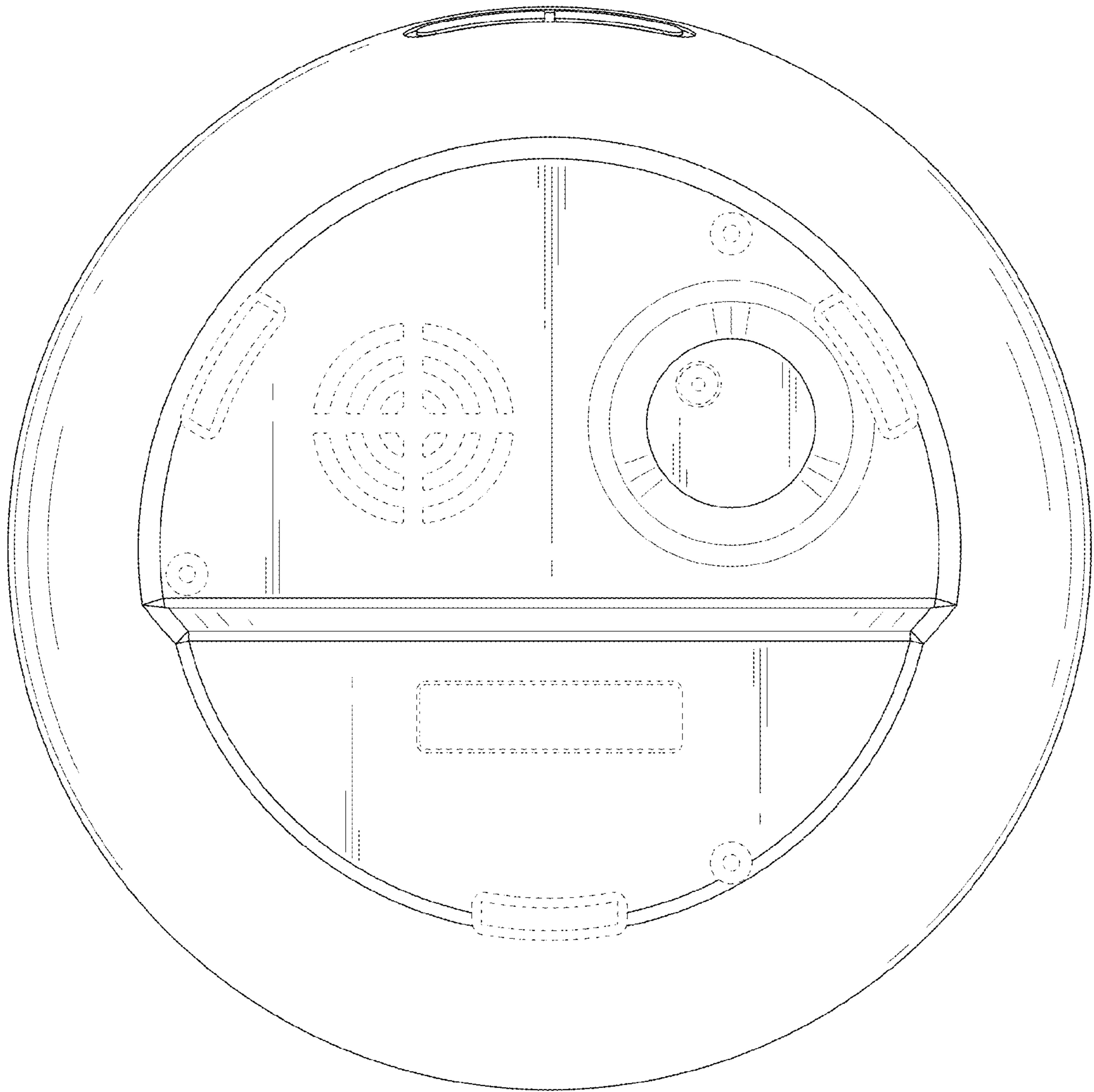


FIG. 8



FIG. 9