



US00D903842S

(12) **United States Design Patent** (10) **Patent No.:** **US D903,842 S**  
**McQuiston, Jr.** (45) **Date of Patent:** **\*\* Dec. 1, 2020**

(54) **TOILET SEAT LIFTING APPARATUS**

FOREIGN PATENT DOCUMENTS

(71) Applicant: **Stanley Huston McQuiston, Jr.**,  
Atlantic Beach, FL (US)  
(72) Inventor: **Stanley Huston McQuiston, Jr.**,  
Atlantic Beach, FL (US)  
(\*\*) Term: **15 Years**

CN	102334941 A	2/2012
CN	205083379 U	3/2016
CN	108991979 A	12/2018
CN	109770774 A	5/2019
GB	2295167 B	2/1999
JP	06113981 A	4/1994
JP	H11244196 A	9/1999
KR	20090001159 U	2/2009

(21) Appl. No.: **29/722,330**

\* cited by examiner

(22) Filed: **Jan. 28, 2020**

*Primary Examiner* — Lauren R Calve

(51) **LOC (12) Cl.** ..... **23-02**

(74) *Attorney, Agent, or Firm* — Quickpatents, LLC;

(52) **U.S. Cl.**  
USPC ..... **D23/309**; D8/307

Kevin Prince

(58) **Field of Classification Search**  
USPC ..... D8/107, 300, 301, 307, 308; D23/270,  
D23/303, 309, 310, 311  
CPC ..... Y10T 16/19; Y10T 16/643; Y10T 16/191;  
Y10T 16/95; Y10T 24/4088; Y10T  
292/1049; A47K 13/10; A47K 13/105;  
A47K 13/24; E03D 5/04; E03D 5/092  
See application file for complete search history.

(57) **CLAIM**

The ornamental design for a toilet seat lifting apparatus, as shown and described.

(56) **References Cited**

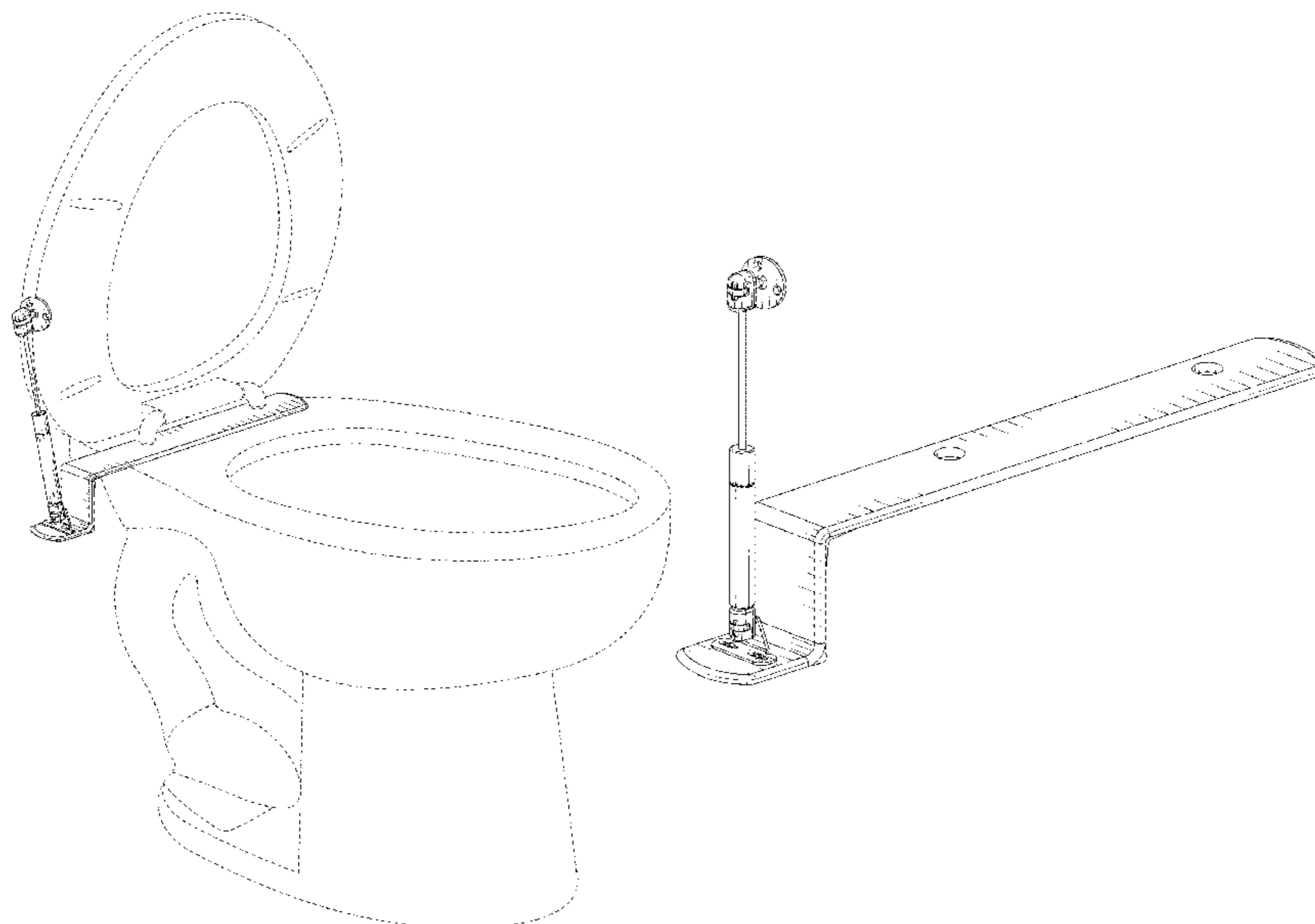
**DESCRIPTION**

U.S. PATENT DOCUMENTS

D389,231 S *	1/1998	Yarbrough	.....	D23/309
5,742,949 A *	4/1998	Goldi	.....	A47K 13/10 4/246.2
D423,089 S *	4/2000	Huerta	.....	D8/307
D483,450 S *	12/2003	Moore	.....	D23/309
7,281,277 B1 *	10/2007	Uchida	.....	A47K 13/10 4/246.1
D723,351 S *	3/2015	Nor Eldin	.....	D8/307
2009/0113611 A1 *	5/2009	Jarjour	.....	A47K 13/10 4/246.3
2013/0263369 A1 *	10/2013	Embler	.....	A47K 13/105 4/246.3
2015/0052671 A1 *	2/2015	Curtis	.....	A47K 13/10 4/246.1
2016/0157683 A1 *	6/2016	Helfrich	.....	E03D 5/08 4/246.3

FIG. 1 is a perspective view of a toilet seat lifting apparatus, showing my new design in environmental use in a raised position;  
FIG. 2 is an enlarged perspective view thereof;  
FIG. 3 is a front elevational view of FIG. 2;  
FIG. 4 is a rear elevational view of FIG. 2;  
FIG. 5 is a left-side elevational view of FIG. 2;  
FIG. 6 is a right-side elevational view of FIG. 2;  
FIG. 7 is a top plan view of FIG. 2;  
FIG. 8 is a bottom plan view of FIG. 2; and,  
FIG. 9 is a perspective view thereof shown in a second environmental use in a lowered position.  
The broken lines showing a toilet in FIGS. 1 and 9 depict environmental matter and form no part of the claimed design.

**1 Claim, 5 Drawing Sheets**



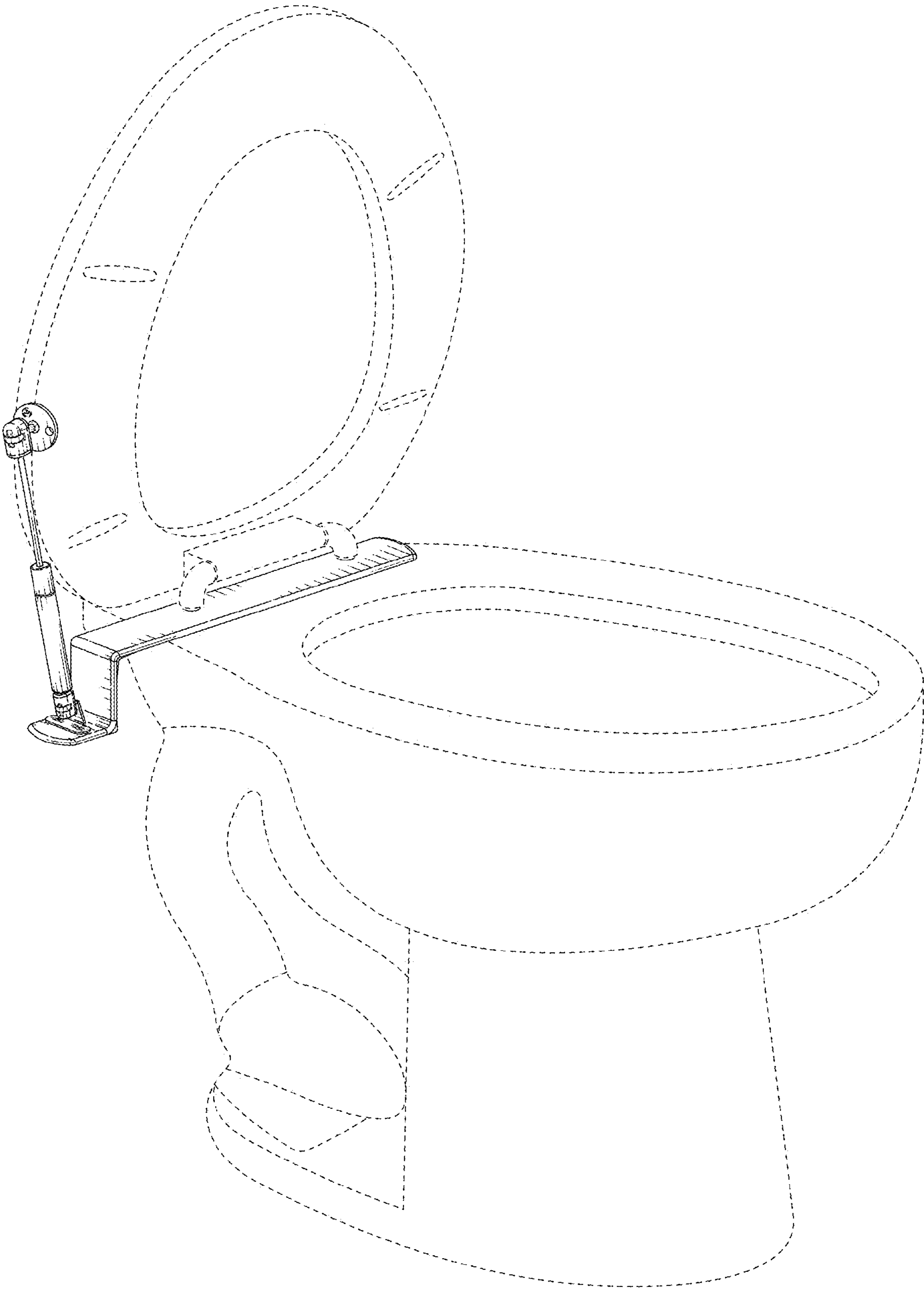


FIG. 1

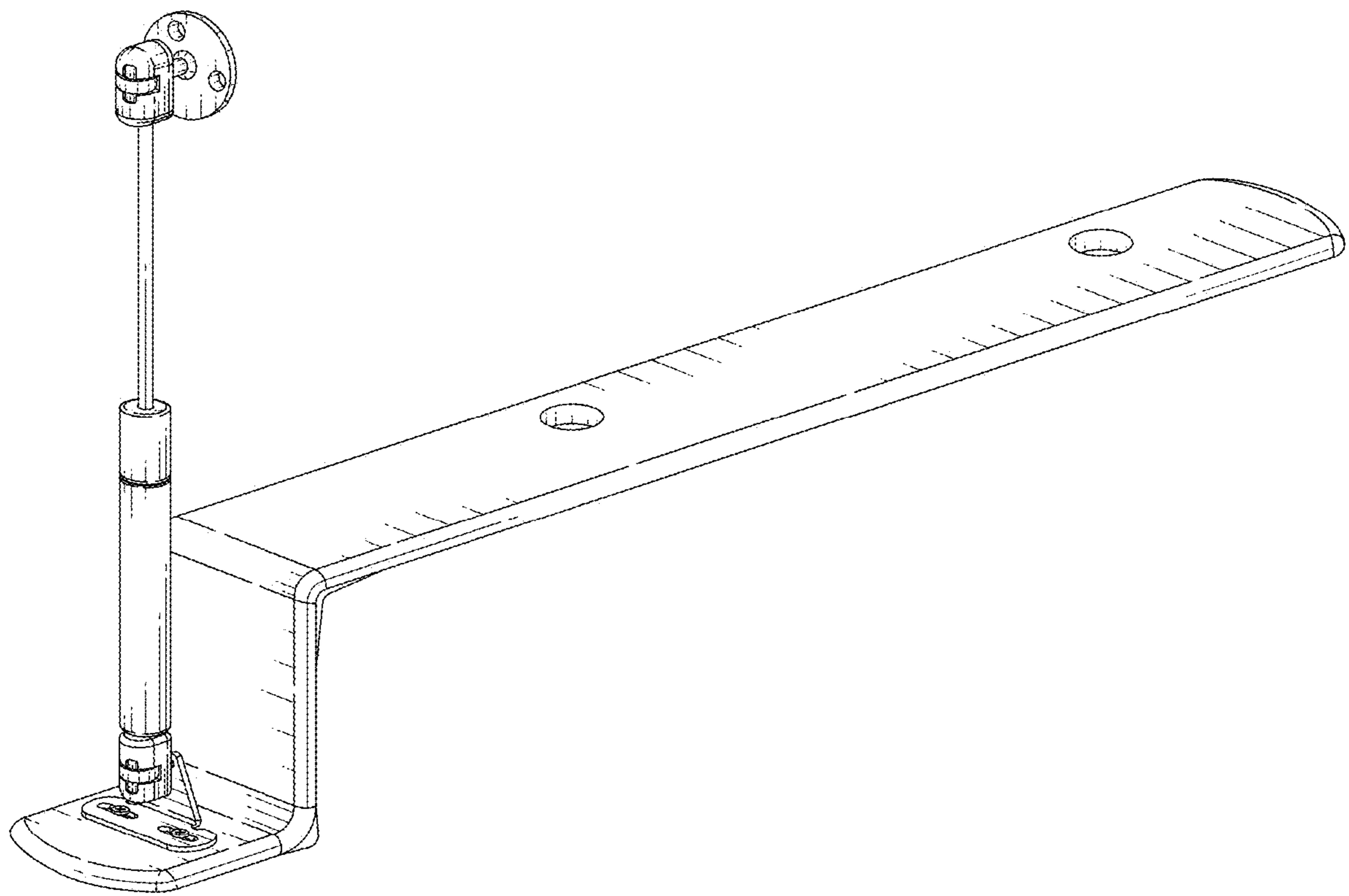


FIG. 2

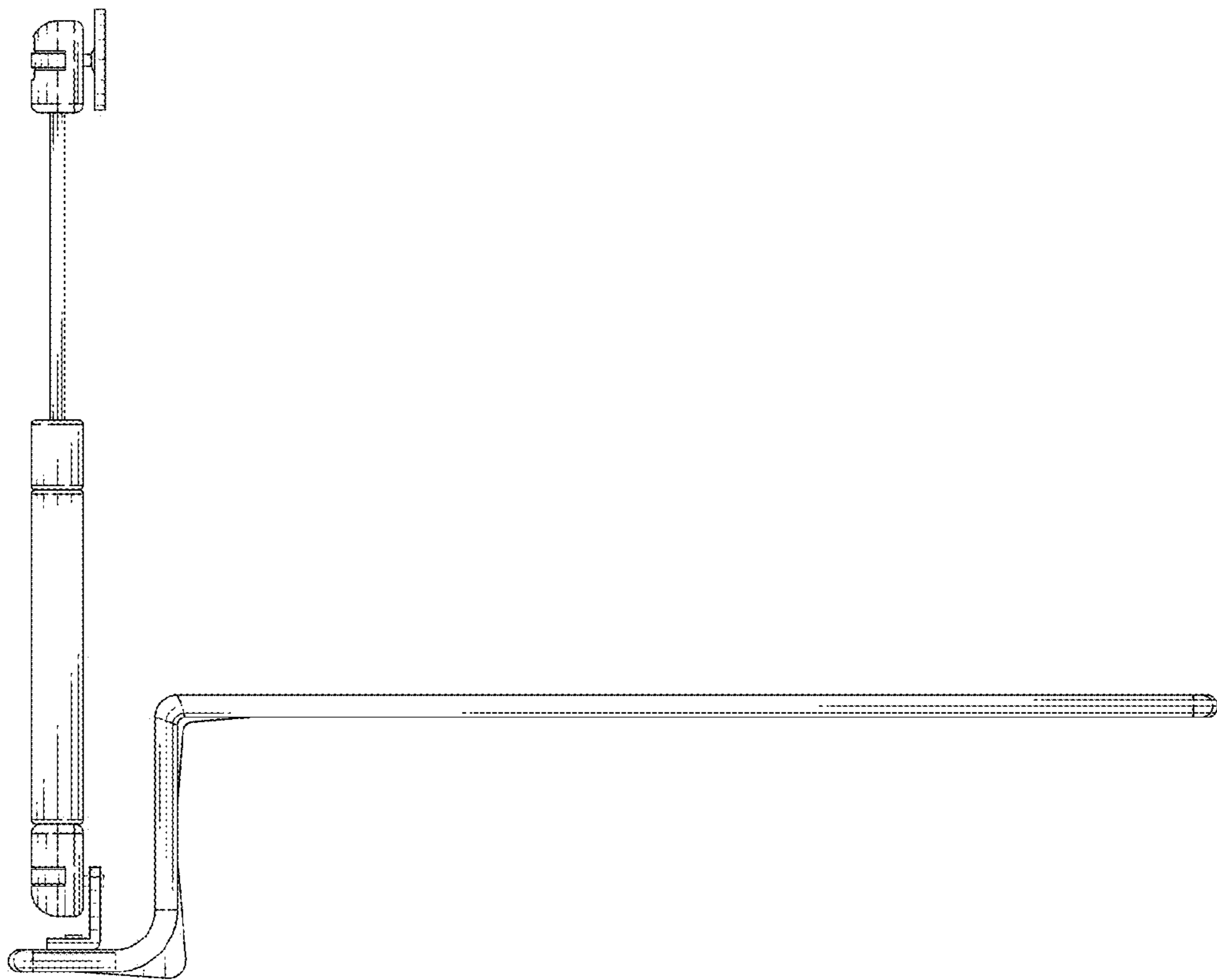


FIG. 3



FIG. 4

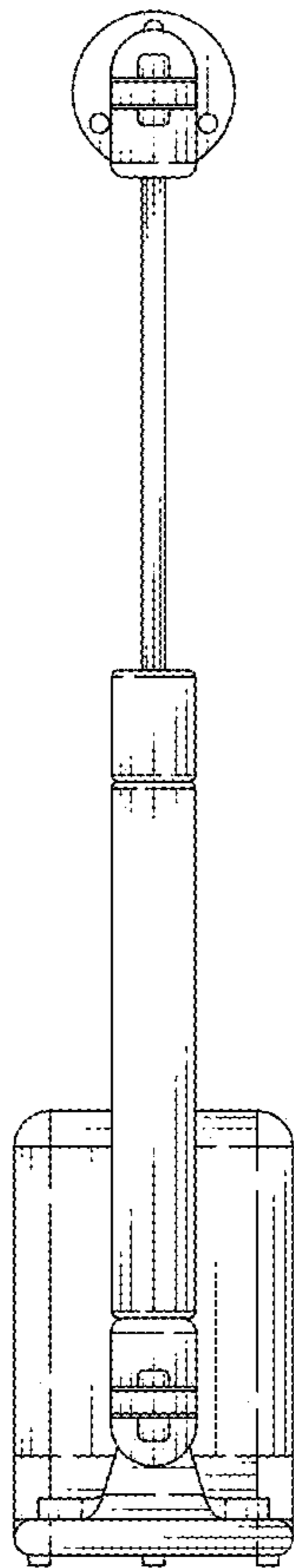


FIG. 5

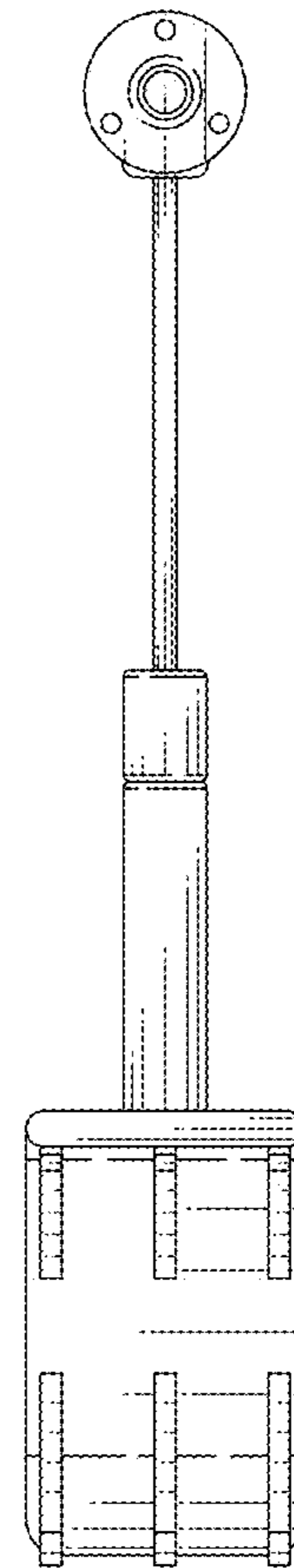


FIG. 6

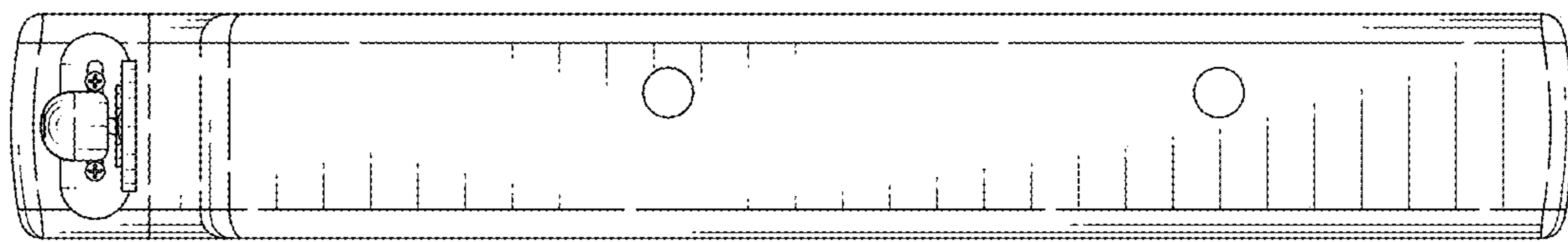


FIG. 7

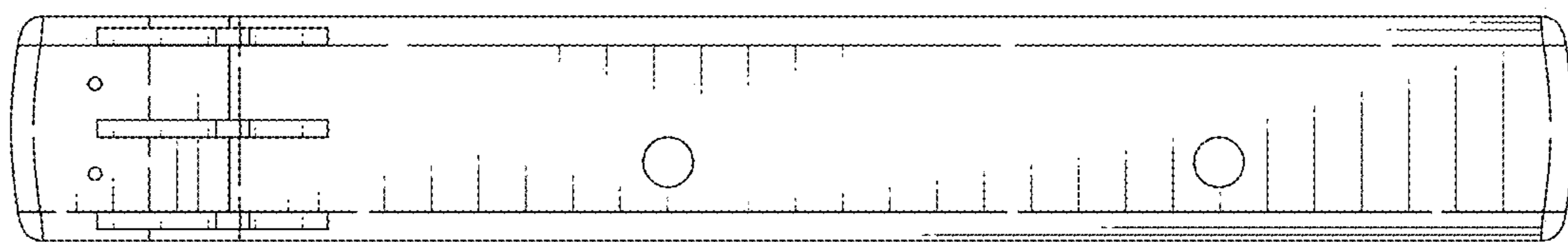


FIG. 8

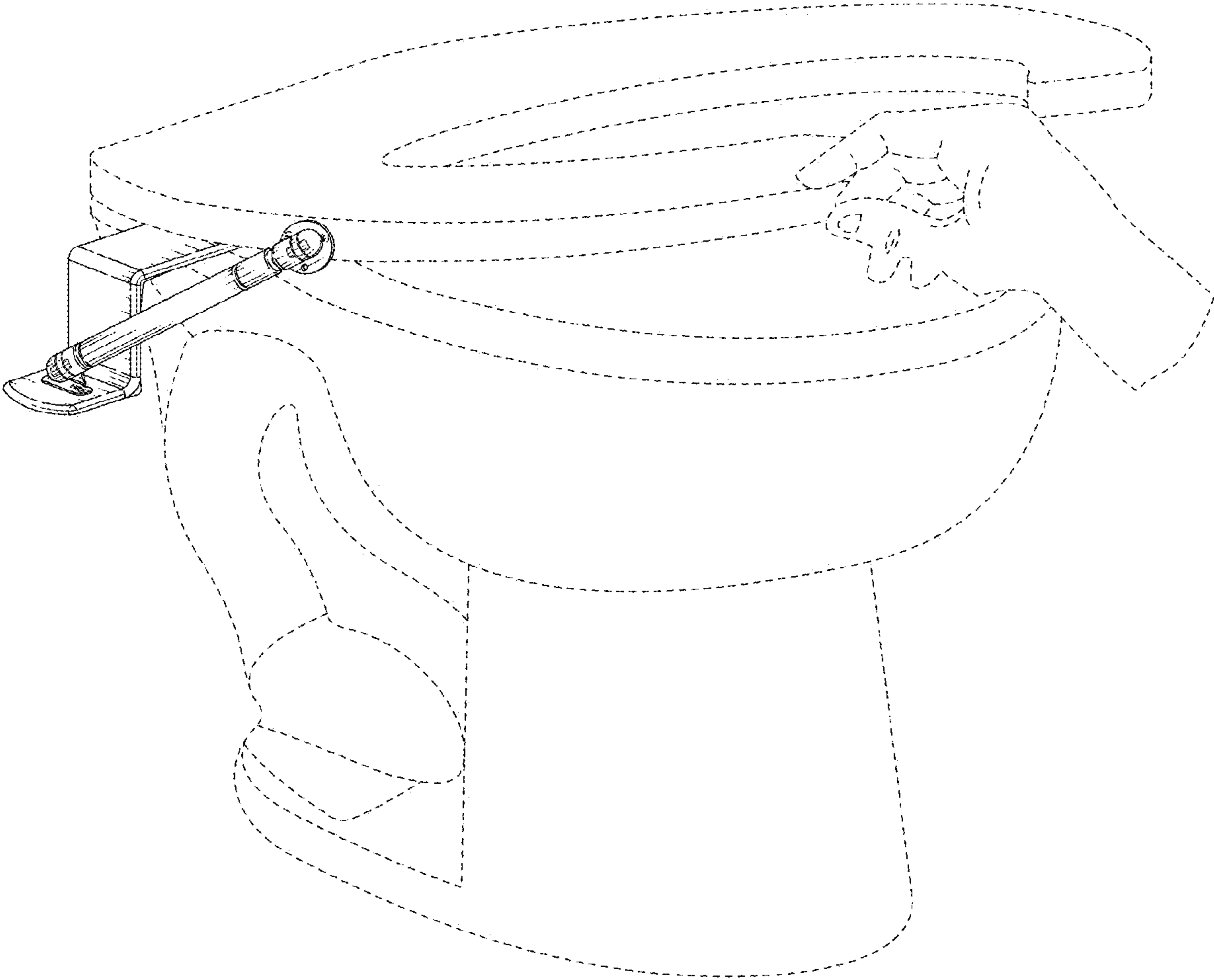


FIG. 9