



US00D903841S

(12) **United States Design Patent**  
**Bucher**

(10) **Patent No.:** **US D903,841 S**

(45) **Date of Patent:** **\*\* Dec. 1, 2020**

(54) **TOILET**

D670,368 S \* 11/2012 Vanderheyden ..... D23/309  
D827,109 S \* 8/2018 Goad ..... D23/301  
D847,959 S \* 5/2019 Bucher ..... D23/301

(71) Applicant: **AS AMERICA, INC.**, Piscataway, NJ  
(US)

(72) Inventor: **Christophe Bucher**, Hillsborough, NJ  
(US)

(73) Assignee: **AS AMERICA, INC.**, Piscataway, NJ  
(US)

(\*\*) Term: **15 Years**

(21) Appl. No.: **29/669,332**

(22) Filed: **Nov. 7, 2018**

(51) **LOC (12) Cl.** ..... **23-02**

(52) **U.S. Cl.**  
USPC ..... **D23/301**

(58) **Field of Classification Search**  
USPC ..... D23/295, 301, 303, 310, 313  
CPC ..... A47K 11/00  
See application file for complete search history.

(56) **References Cited**

**U.S. PATENT DOCUMENTS**

D387,858 S \* 12/1997 McKeone ..... D23/301  
D441,437 S \* 5/2001 McKeone ..... D23/301  
D620,567 S \* 7/2010 Bucher ..... D23/301

**OTHER PUBLICATIONS**

<https://www.homedepot.com/p/American-Standard-Town-Square-FloWise-2-piece-1-28-GPF-Single-Flush-Tall-Height-Elongated-Toilet-in-White-2817-128-020/202810948> (Year: 2018).\*

\* cited by examiner

*Primary Examiner* — Robert A Delehanty

(74) *Attorney, Agent, or Firm* — Venable LLP; Michele V. Frank

(57) **CLAIM**

The ornamental design for a toilet, as shown and described.

**DESCRIPTION**

FIG. 1 is a perspective view of an embodiment of the claimed design;

FIG. 2 is a front view thereof;

FIG. 3 is a rear view thereof;

FIG. 4 is a left side view thereof;

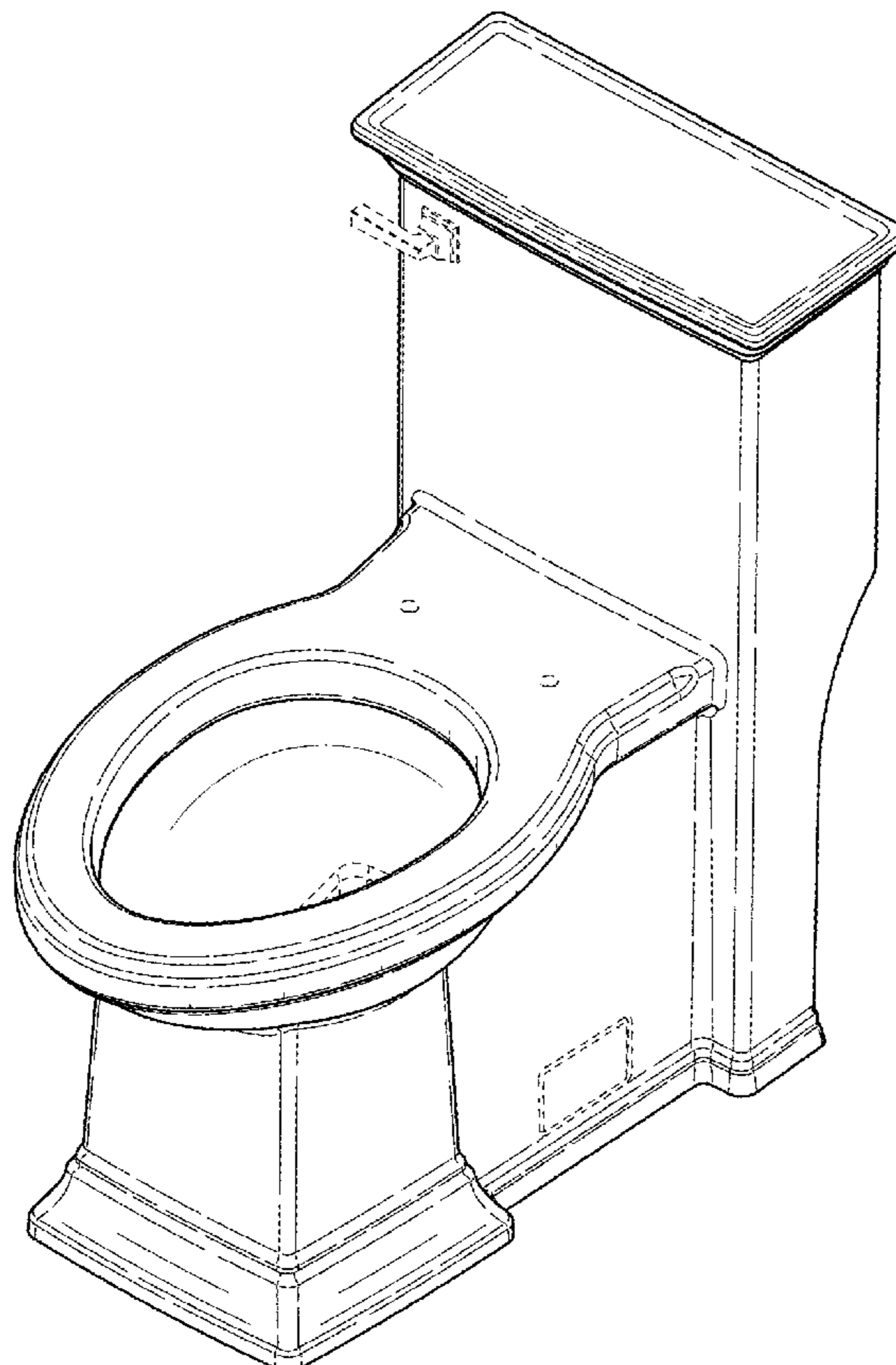
FIG. 5 is a right side view thereof;

FIG. 6 is a top view thereof; and,

FIG. 7 is a bottom view thereof.

The features shown in broken lines form no part of the claimed design.

**1 Claim, 6 Drawing Sheets**



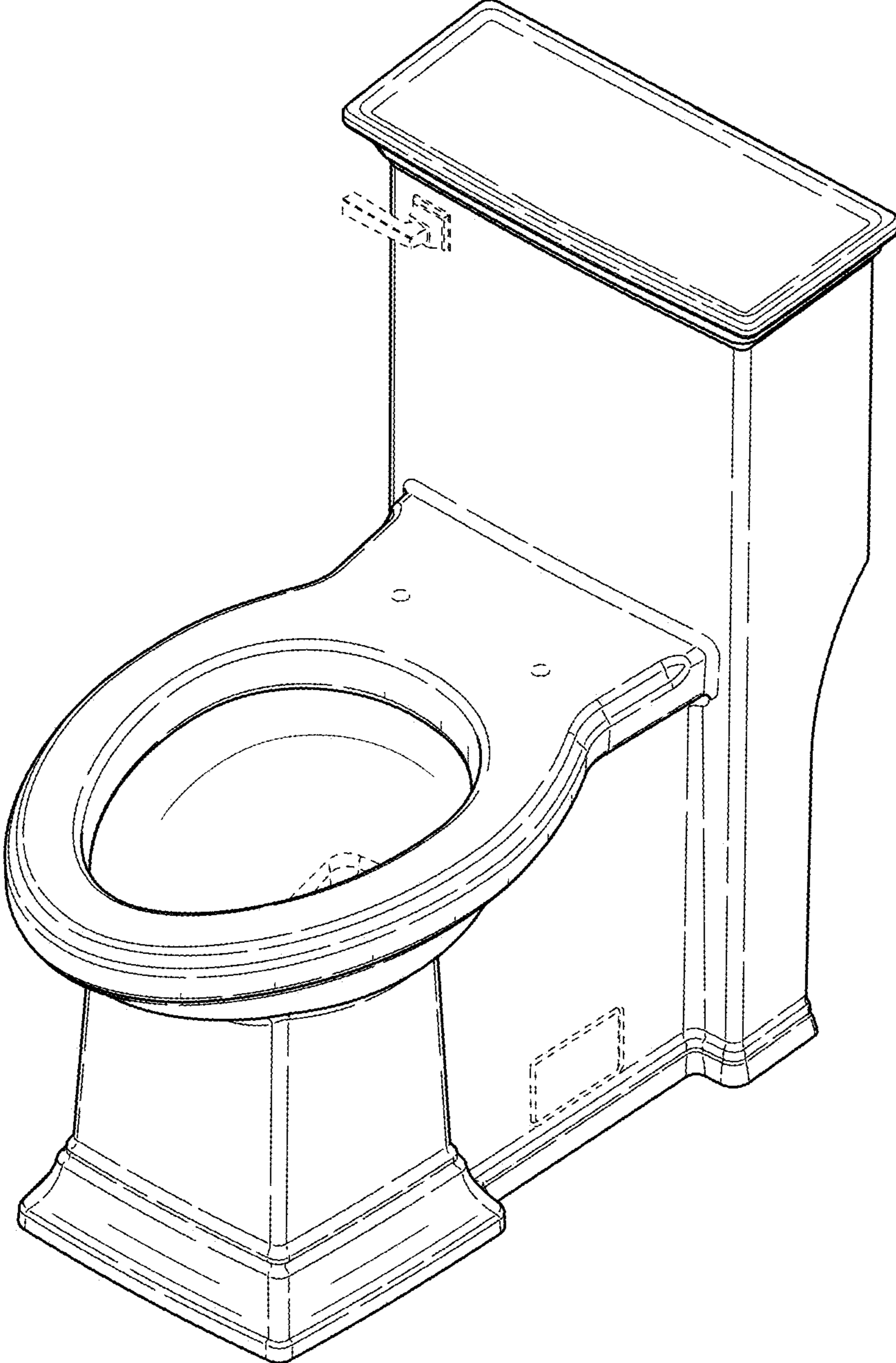


FIG. 1

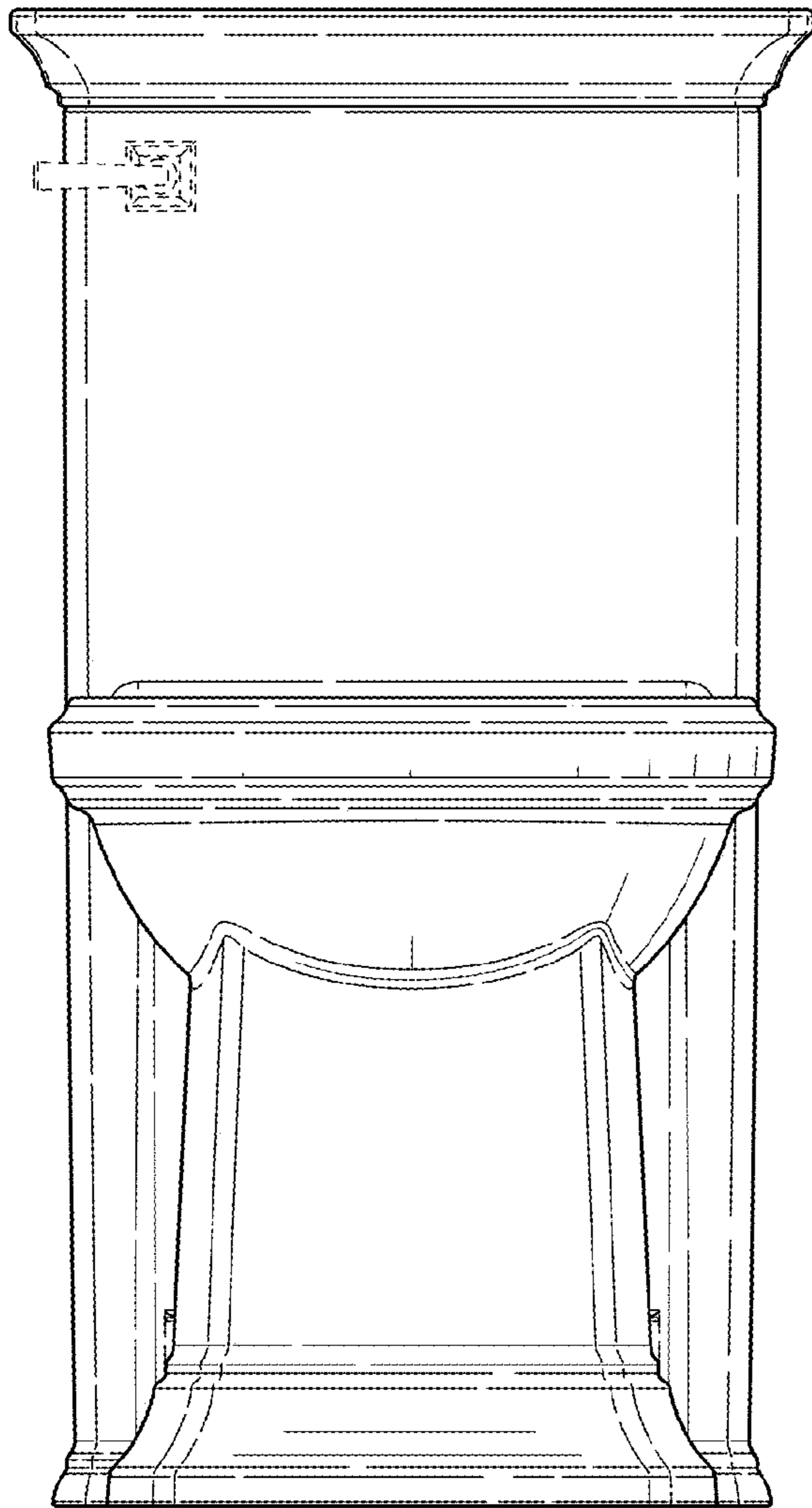


FIG. 2

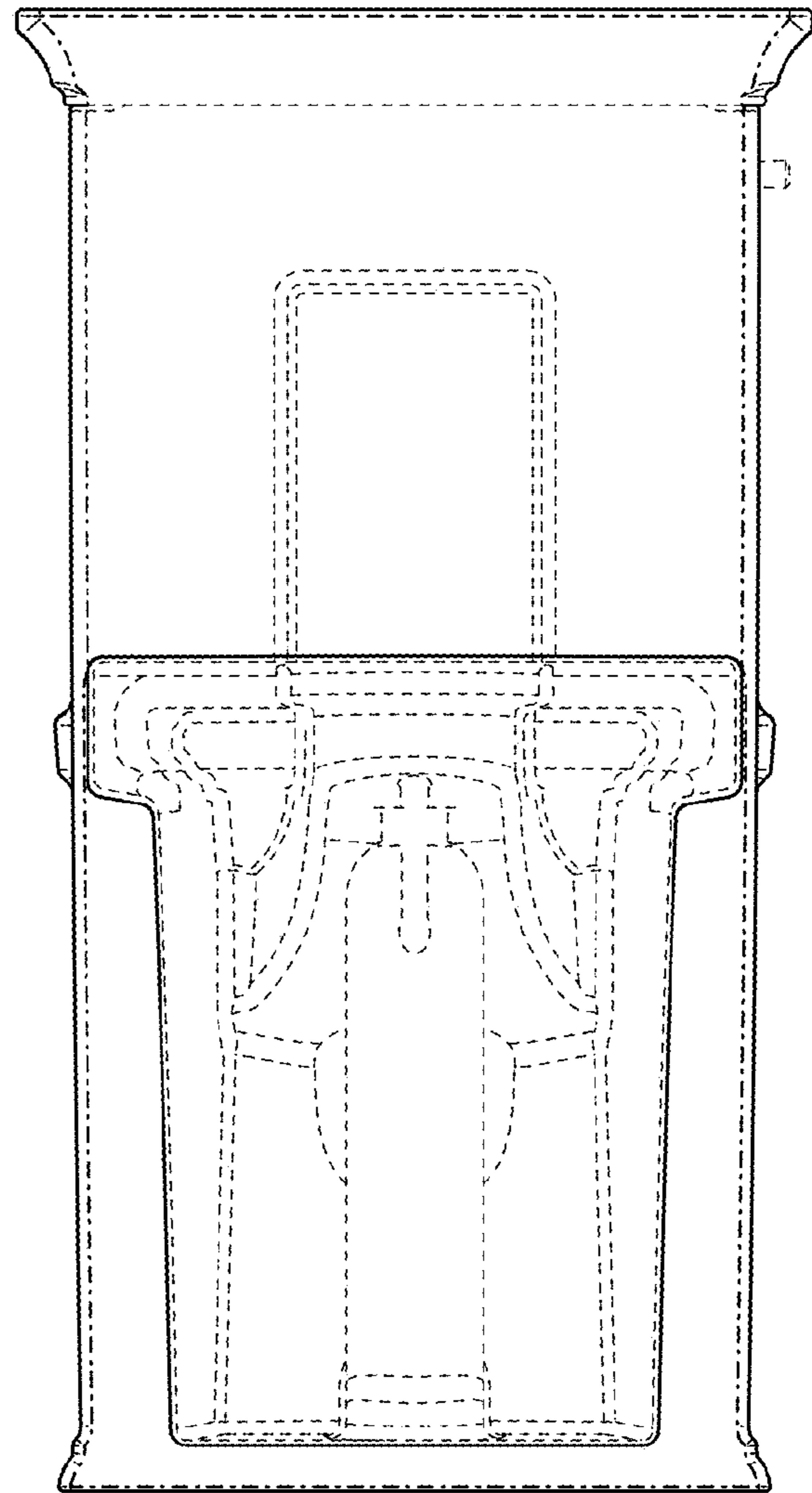


FIG. 3

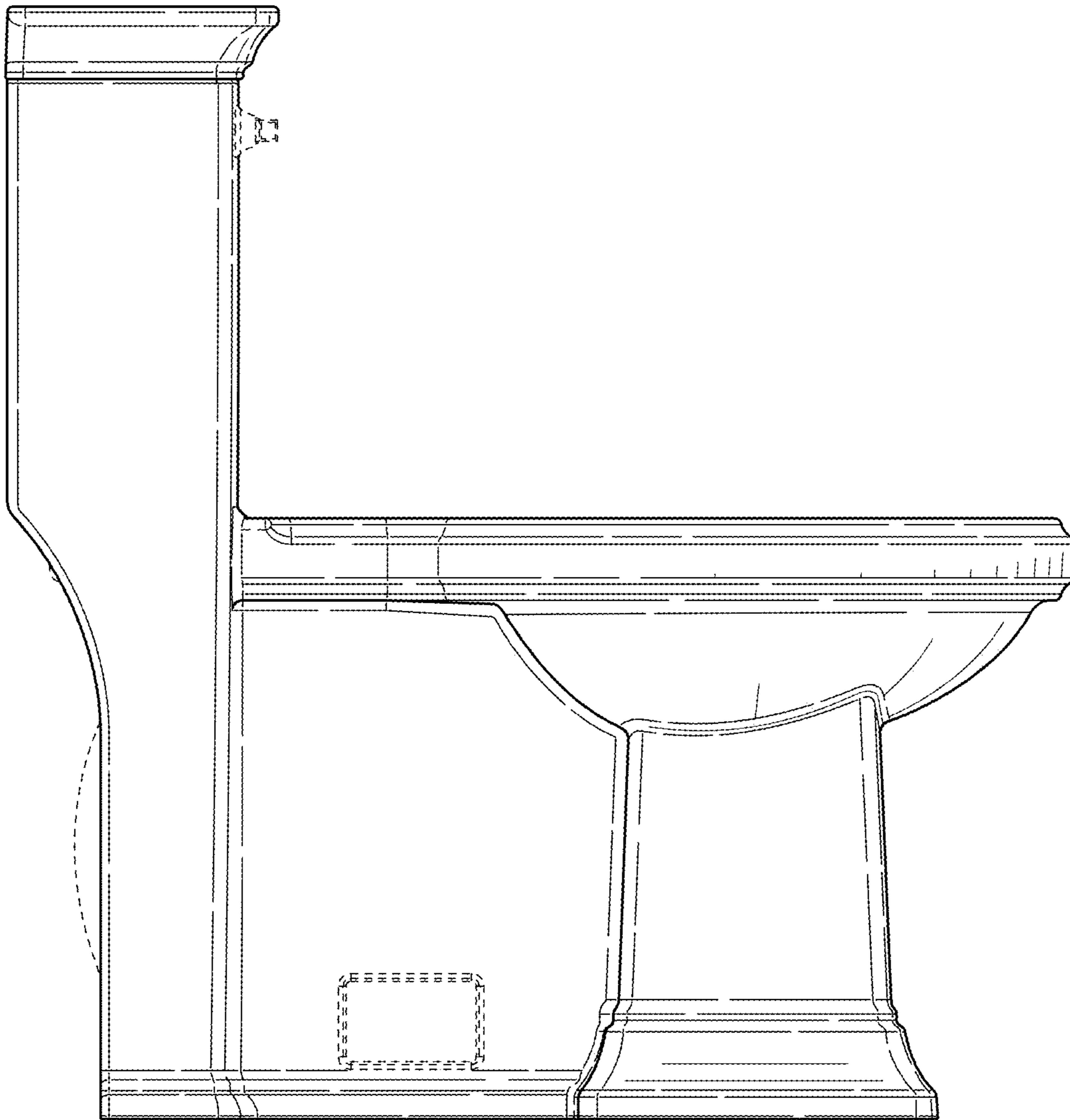


FIG. 4

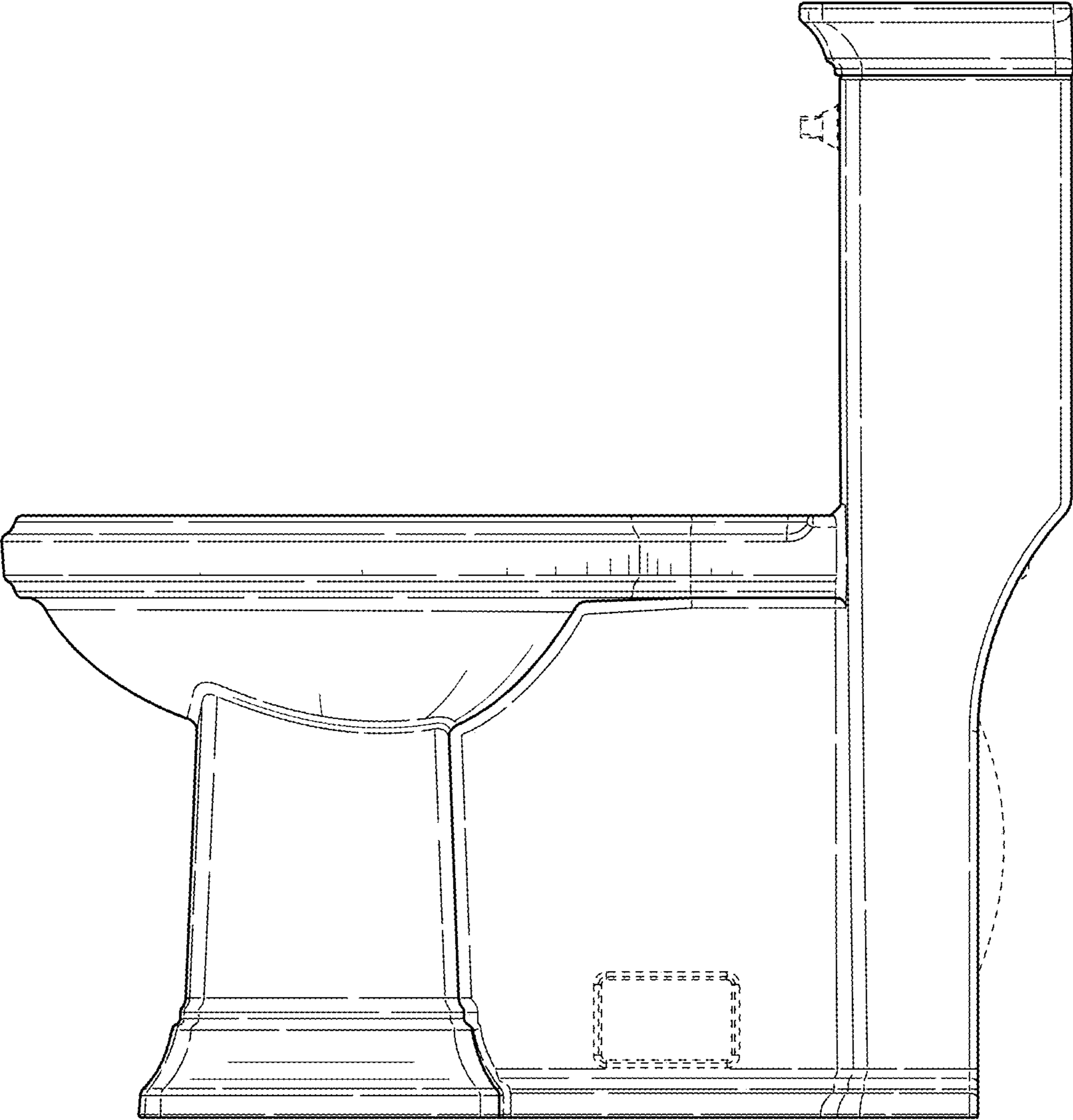


FIG. 5

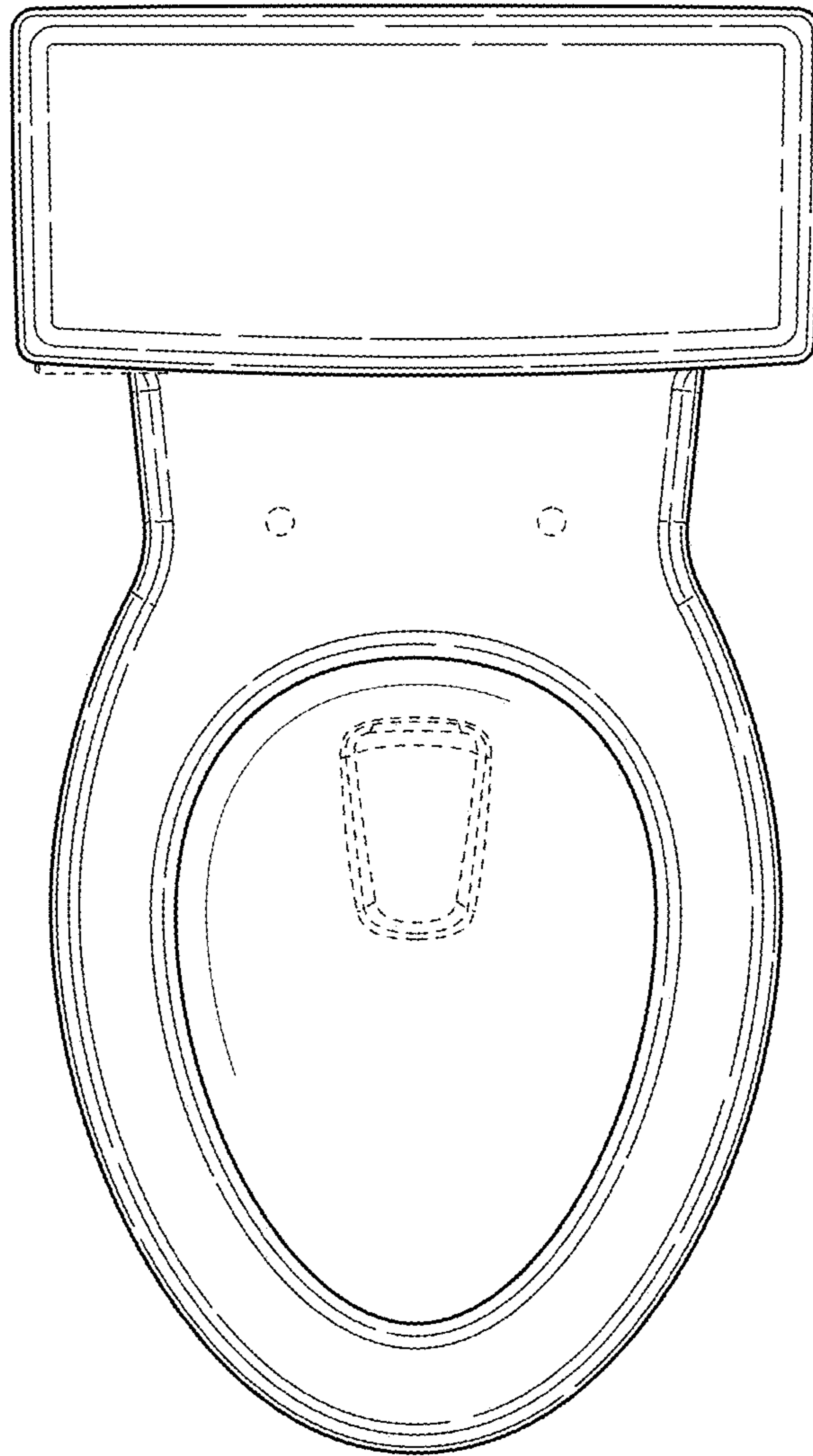


FIG. 6

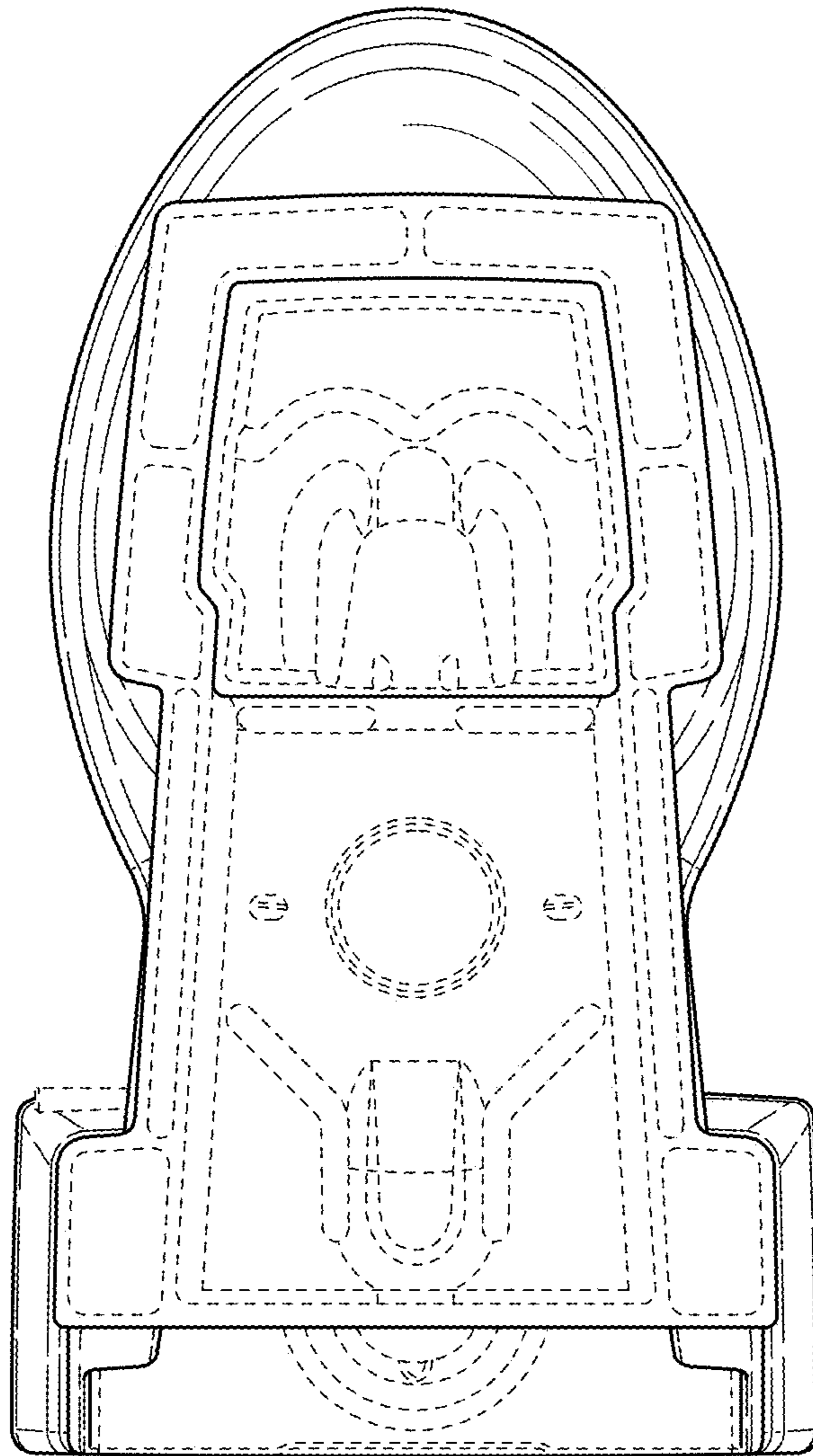


FIG. 7