



US00D903839S

(12) **United States Design Patent**
Stroikov

(10) **Patent No.:** **US D903,839 S**

(45) **Date of Patent:** **** Dec. 1, 2020**

(54) **BABY POTTY SEAT**

(71) Applicant: **Mikhail M. Stroikov**, Moscow Oblast (RU)

(72) Inventor: **Mikhail M. Stroikov**, Moscow Oblast (RU)

(**) Term: **15 Years**

(21) Appl. No.: **29/682,422**

(22) Filed: **Mar. 5, 2019**

(51) **LOC (12) Cl.** **23-02**

(52) **U.S. Cl.**
USPC **D23/296**

(58) **Field of Classification Search**
USPC D23/296, 299, 303, 309, 311
CPC A47K 13/06
See application file for complete search history.

(56) **References Cited**

U.S. PATENT DOCUMENTS

- 6,339,851 B1 * 1/2002 Bergkvist A47K 13/26
4/239
- D621,489 S * 8/2010 Tu D23/311
- D697,189 S * 1/2014 Rathbone D23/296

- D724,711 S * 3/2015 Capraro D23/296
- D771,227 S * 11/2016 Yeung D23/311
- 10,049,597 B2 * 8/2018 McCarthy A47K 13/06
- D832,411 S * 10/2018 Key D23/296
- D834,159 S * 11/2018 Appelbaum D23/296
- D834,691 S * 11/2018 Yang D23/296

FOREIGN PATENT DOCUMENTS

DM 103713 11/2018

* cited by examiner

Primary Examiner — Robert A Delehanty

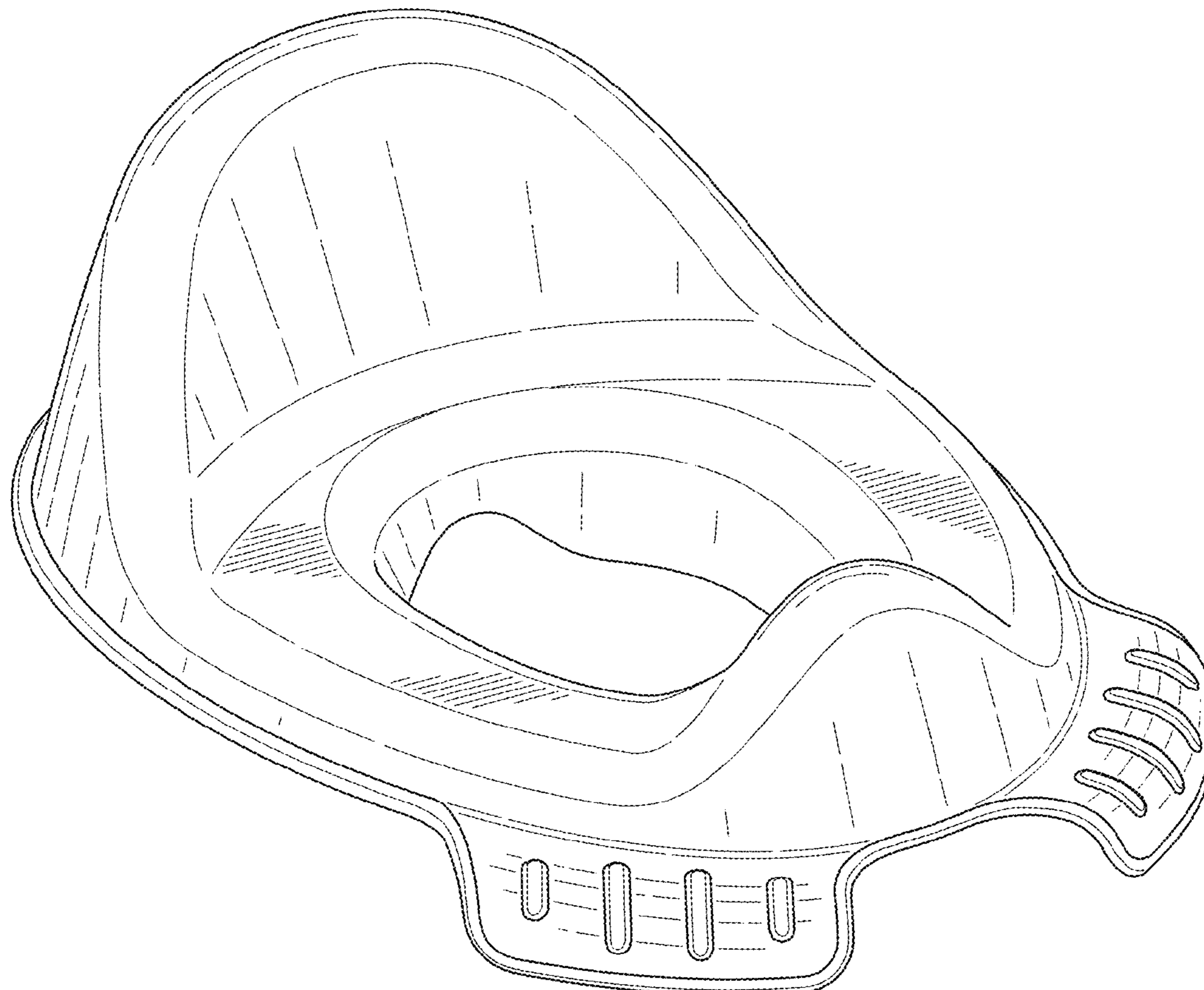
(57) **CLAIM**

The ornamental design for baby potty seat, as shown and described.

DESCRIPTION

FIG. 1 is a perspective view of a baby potty seat, embodying the new design;
 FIG. 2 is a front view thereof;
 FIG. 3 is a back view thereof;
 FIG. 4 is right view, the left view being a mirror image thereof;
 FIG. 5 is a cross sectional view thereof; and,
 FIG. 6 is a top view thereof.

1 Claim, 3 Drawing Sheets



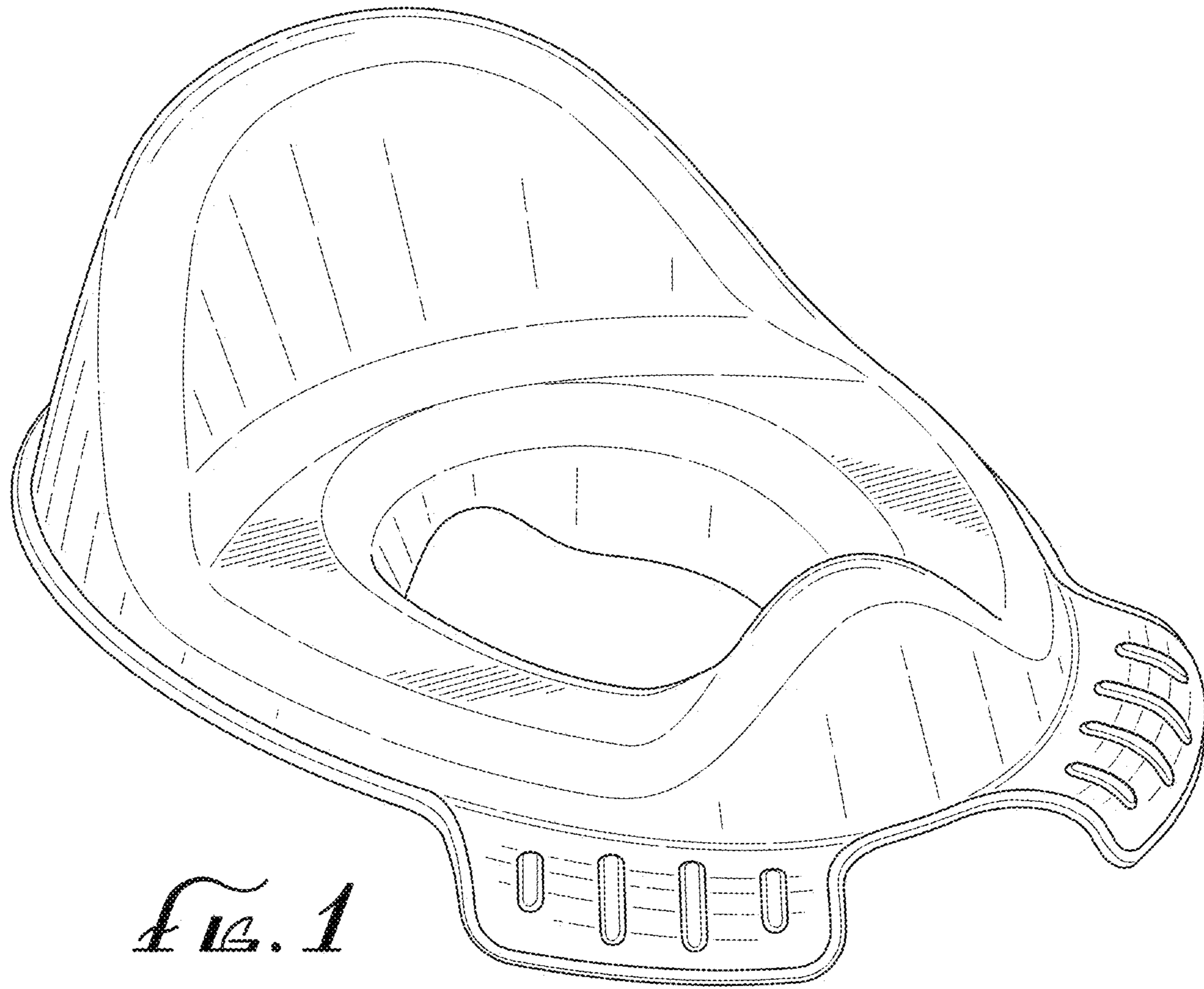


FIG. 1

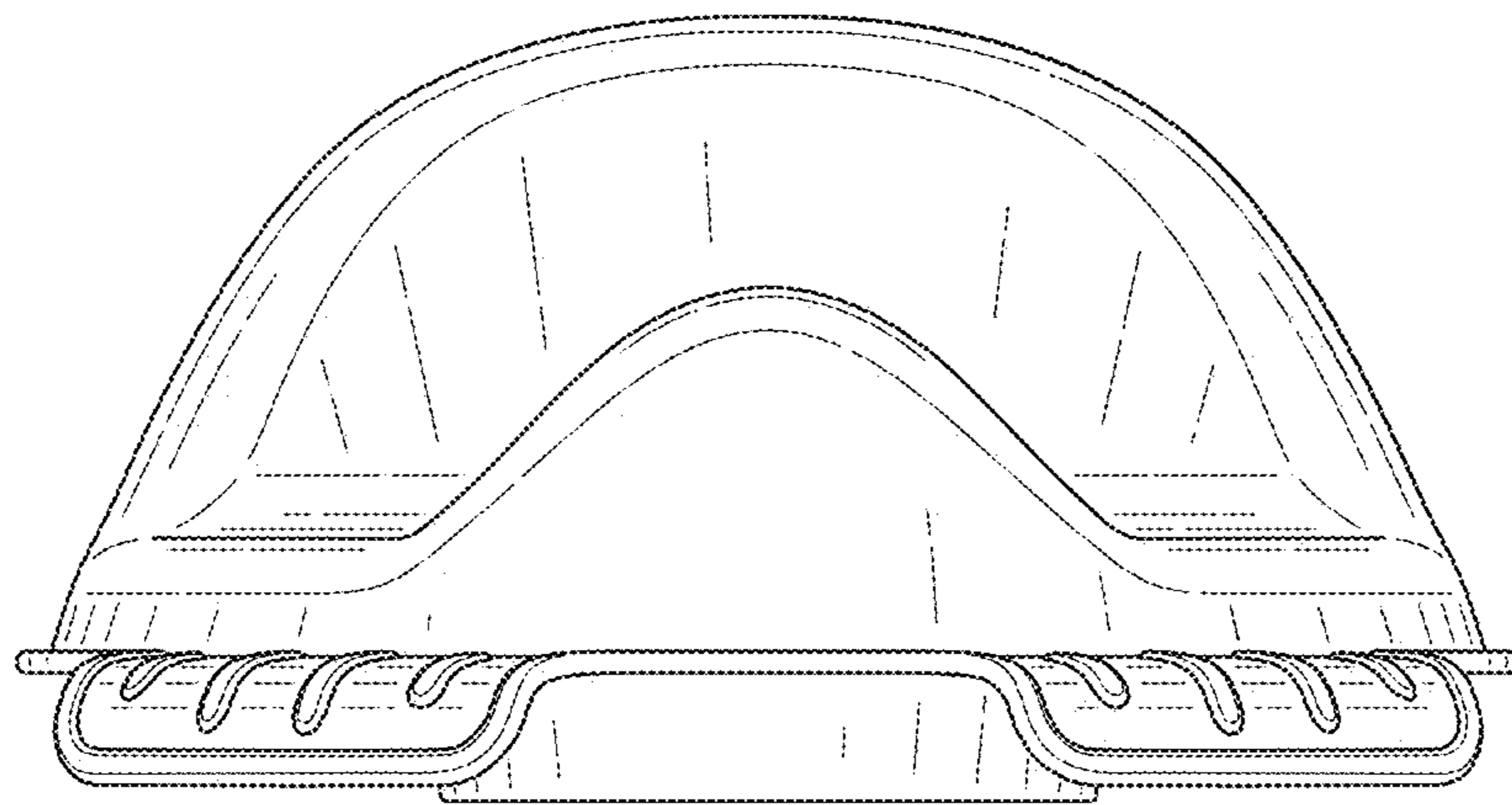


FIG. 2

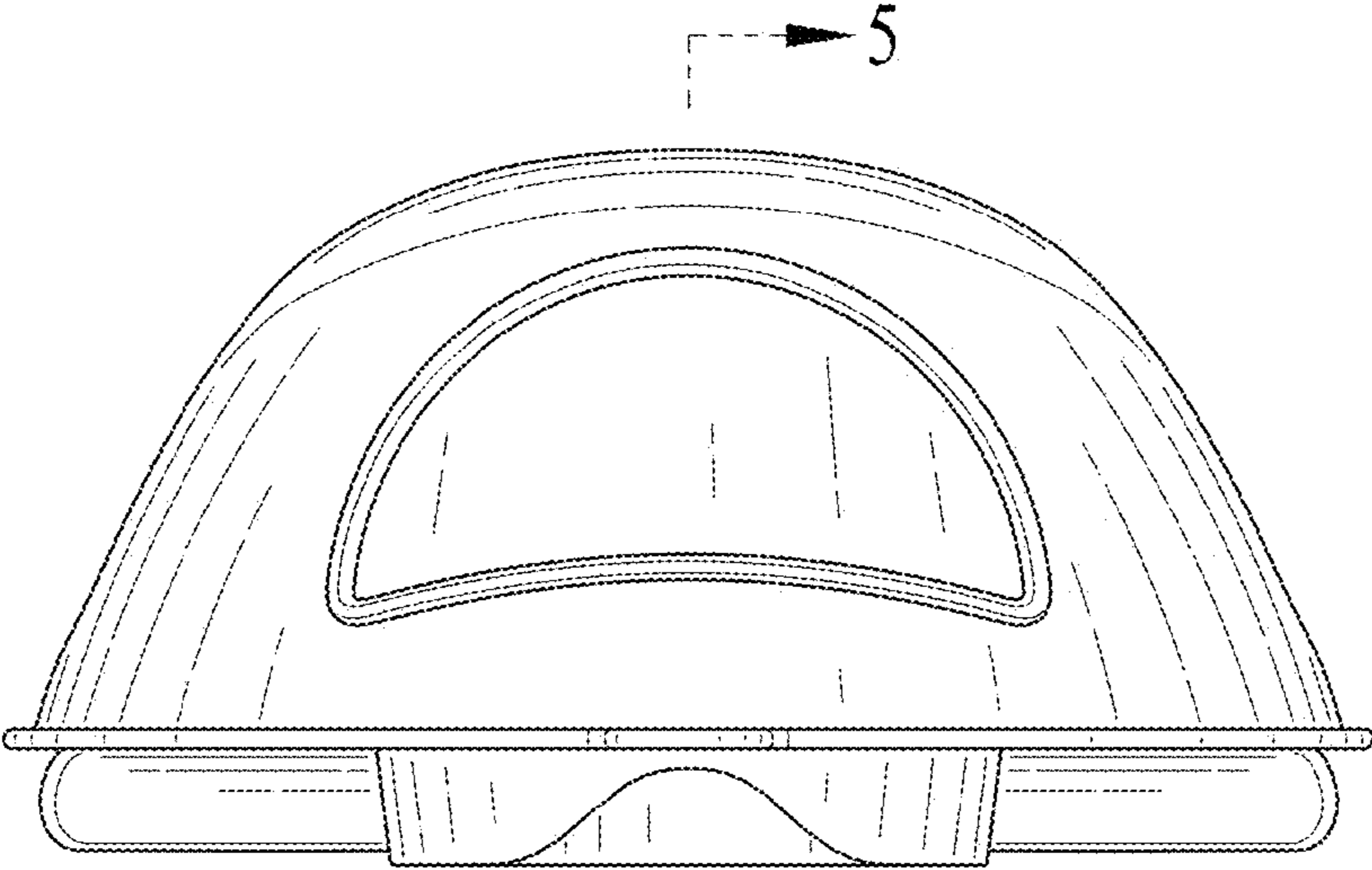


FIG. 3

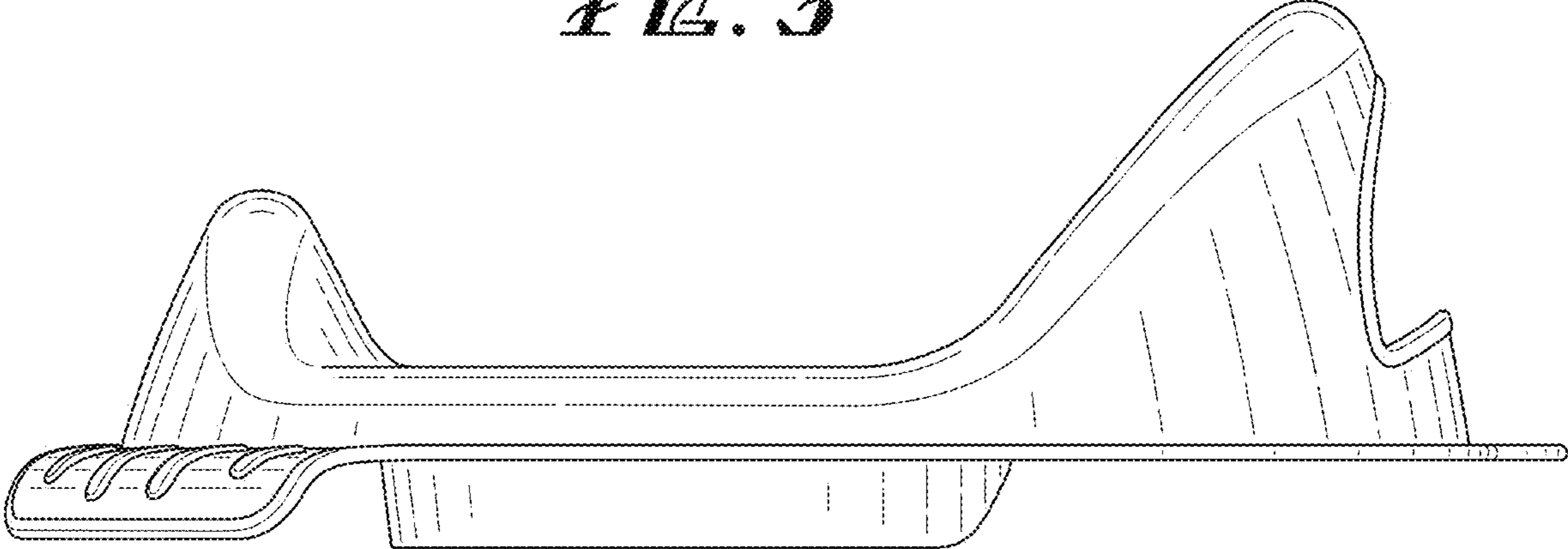


FIG. 4

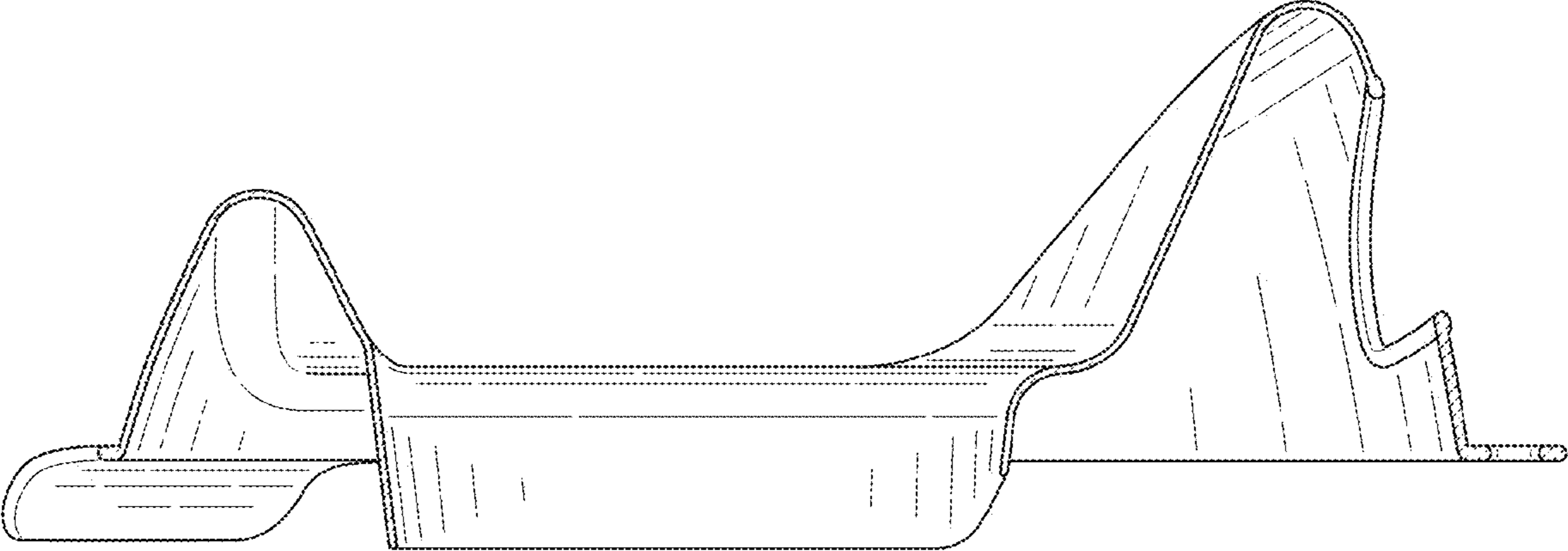


FIG. 5

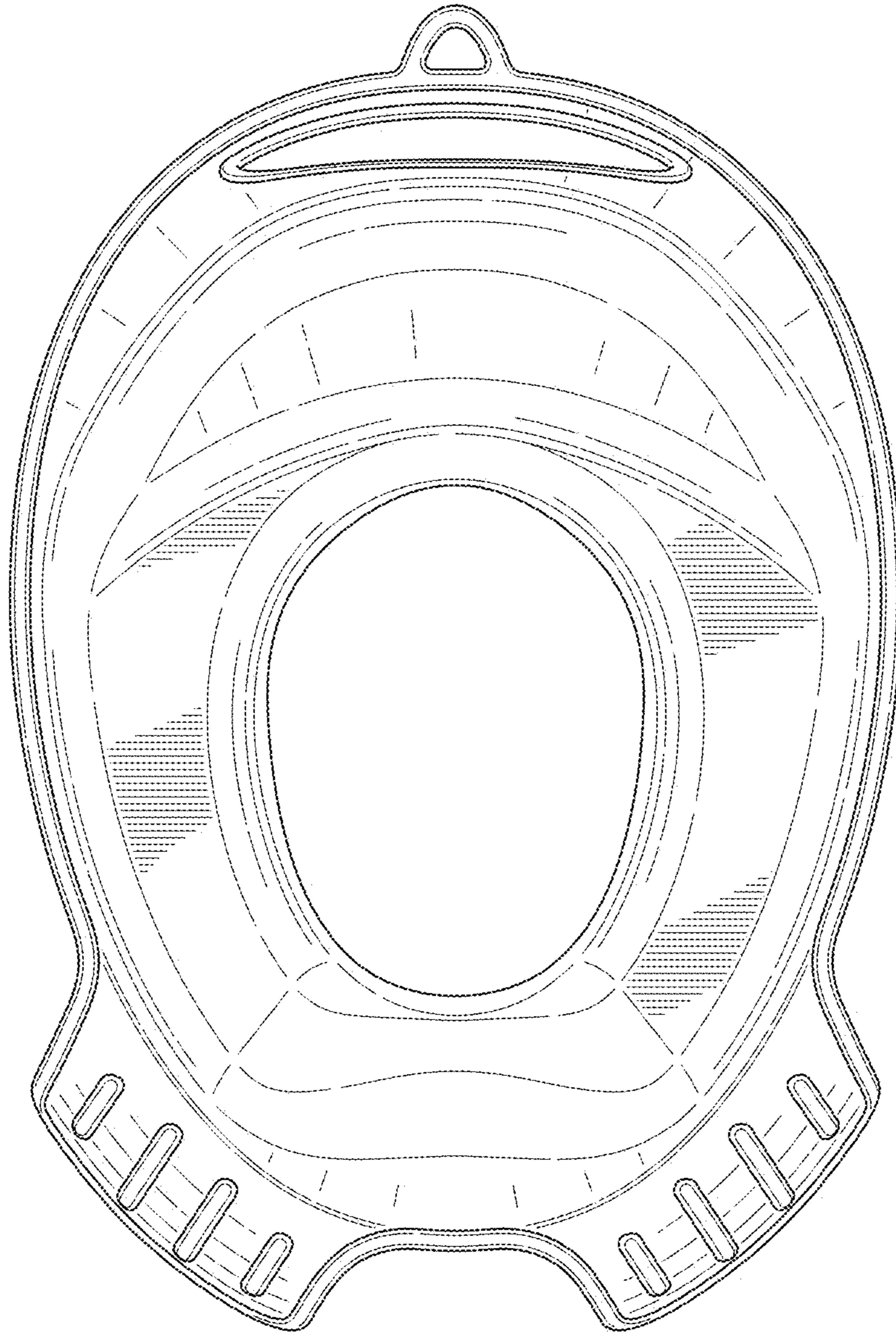


FIG. 6