



US00D903836S

(12) **United States Design Patent** (10) **Patent No.:** **US D903,836 S**
Pak et al. (45) **Date of Patent:** **** Dec. 1, 2020**

(54) Y-SPIGOT BODY	6,390,446 B1 * 5/2002 Wang B01D 35/02 210/429
(71) Applicant: Carefusion 303, inc. , San Diego, CA (US)	6,619,697 B2 * 9/2003 Griffioen F16L 41/023 285/126.1
(72) Inventors: Janice Pak , Centennial, CO (US); Siddarth Shevgoor , Mission Viejo, CA (US); Nathan Mitchell , Murray, UT (US)	D506,828 S * 6/2005 Layne D24/129 D519,632 S * 4/2006 Bayron D24/110.6 7,909,056 B2 * 3/2011 Truitt F16K 15/141 137/512
(73) Assignee: CAREFUSION 303, INC. , San Diego, CA (US)	D650,888 S * 12/2011 Moretto D23/259 D691,717 S * 10/2013 McLean D24/129 2012/0291880 A1 * 11/2012 Eckardt F16L 41/023 137/341
	2016/0089529 A1 * 3/2016 Bolz F16L 13/0209 285/119

(Continued)

Primary Examiner — Amy C Wierenga
(74) *Attorney, Agent, or Firm* — Morgan, Lewis & Bockius LLP

(**) Term: **15 Years**

(21) Appl. No.: **29/692,930**

(22) Filed: **May 29, 2019**

(51) **LOC (12) Cl.** **23-01**

(52) **U.S. Cl.**
USPC **D23/262**; D24/129; D23/263

(58) **Field of Classification Search**
USPC D23/259, 262–266, 268; 285/179, 179.1,
285/183, 124.1, 120.1, 148.14, 148.19,
285/148.21, 345, 388, 390, 377, 148.2,
285/328, 921, 131.1, 132.1; D24/129;
137/247.51
CPC ... F16L 21/00; F16L 9/16; F16L 59/11; F16L
43/002; F16L 19/08
See application file for complete search history.

(57) **CLAIM**

The ornamental design for a Y-spigot body, as shown and described.

DESCRIPTION

FIG. 1 is a perspective view of a Y-spigot body.
FIG. 2 is a front elevation view of the Y-spigot body of FIG. 1.
FIG. 3 is a rear elevation view of the Y-spigot body of FIG. 1.
FIG. 4 is a right side elevation view of the Y-spigot body of FIG. 1.
FIG. 5 is a left side elevation view of the Y-spigot body of FIG. 1.
FIG. 6 is a top plan view of the Y-spigot body of FIG. 1; and, FIG. 7 is a bottom plan view of the Y-spigot body of FIG. 1.
Portions shown in broken lines represent unclaimed portions of the claimed design.

1 Claim, 6 Drawing Sheets

(56) **References Cited**

U.S. PATENT DOCUMENTS

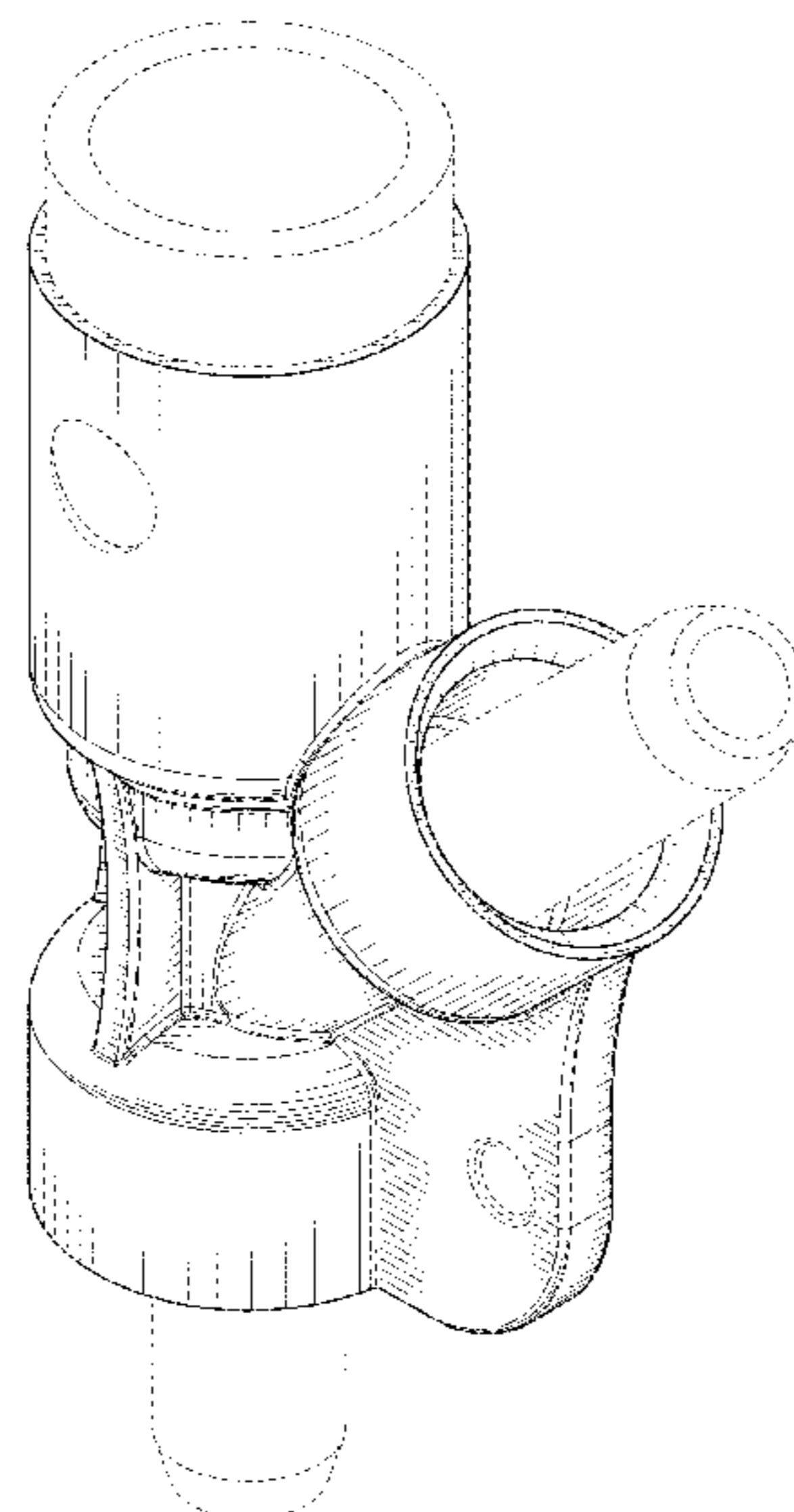
3,602,228 A * 8/1971 Cowley A61M 25/1025
604/103

4,367,769 A * 1/1983 Bain A61M 39/10
138/103

4,724,858 A * 2/1988 Cornwall F16L 5/04
137/362

4,911,705 A * 3/1990 Heinzerling A61M 39/04
604/86

D347,271 S * 5/1994 Inda D23/263



(56)

References Cited

U.S. PATENT DOCUMENTS

2016/0108608 A1* 4/2016 Williams E03C 1/021
137/15.08

* cited by examiner

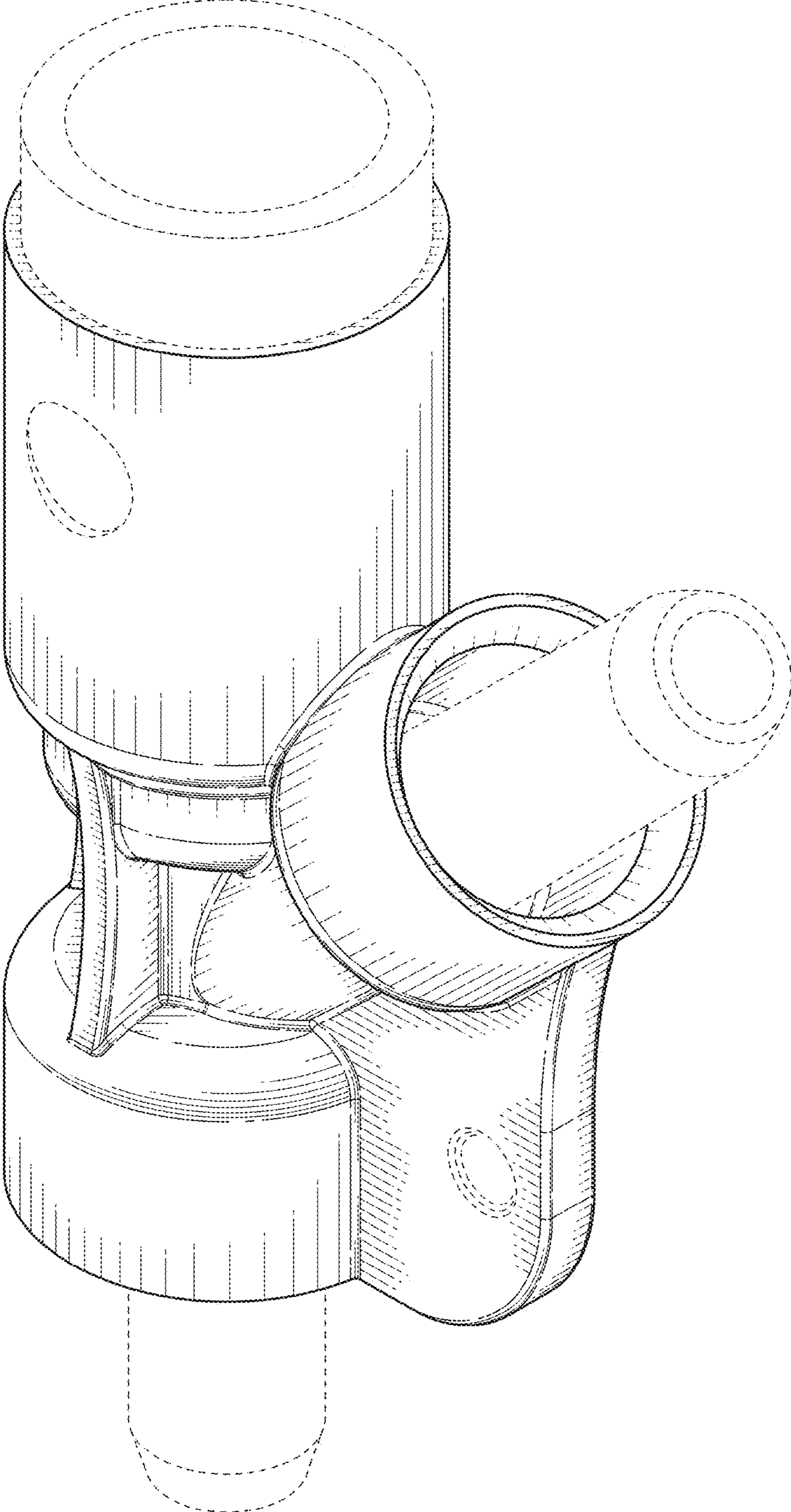


FIG. 1

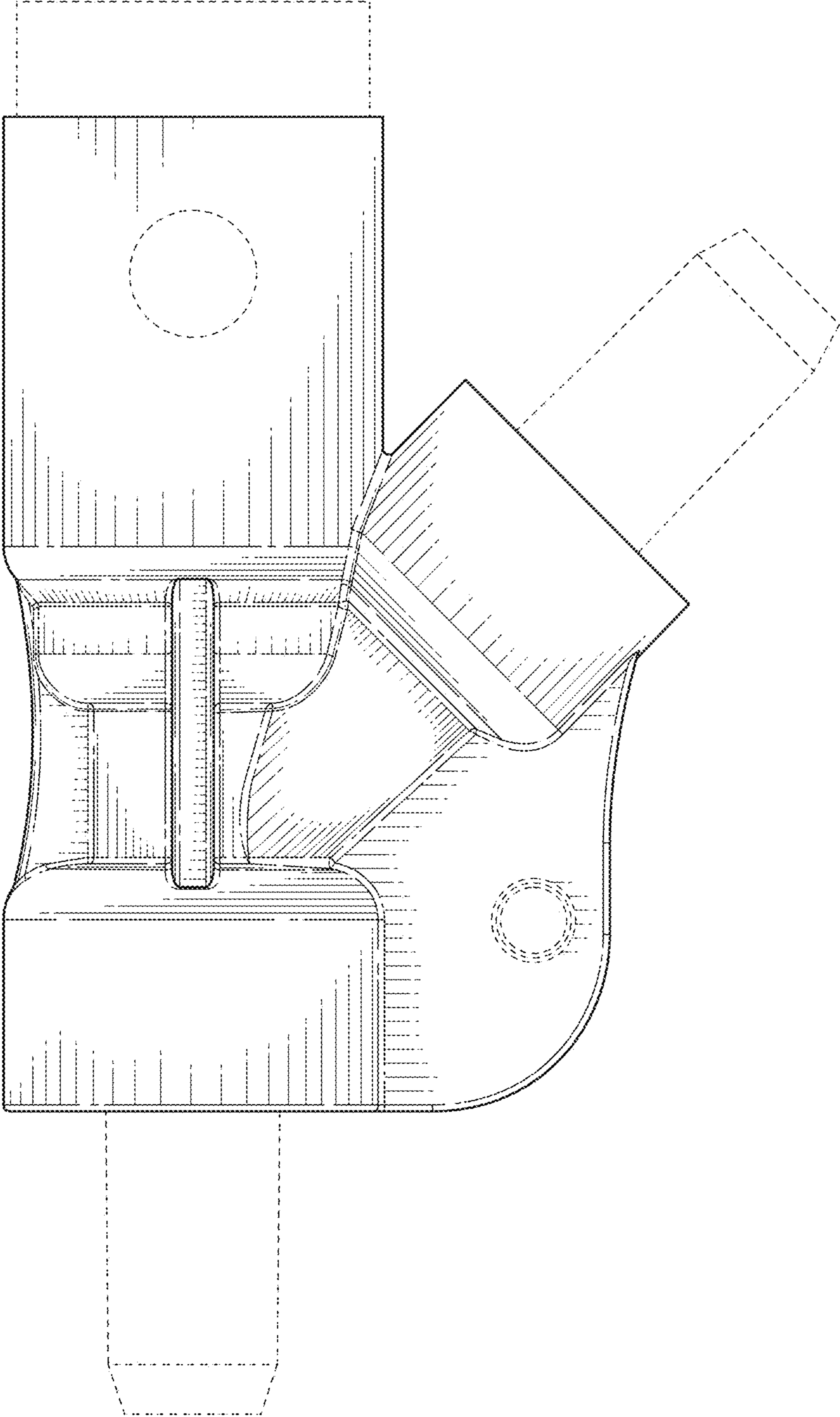


FIG. 2

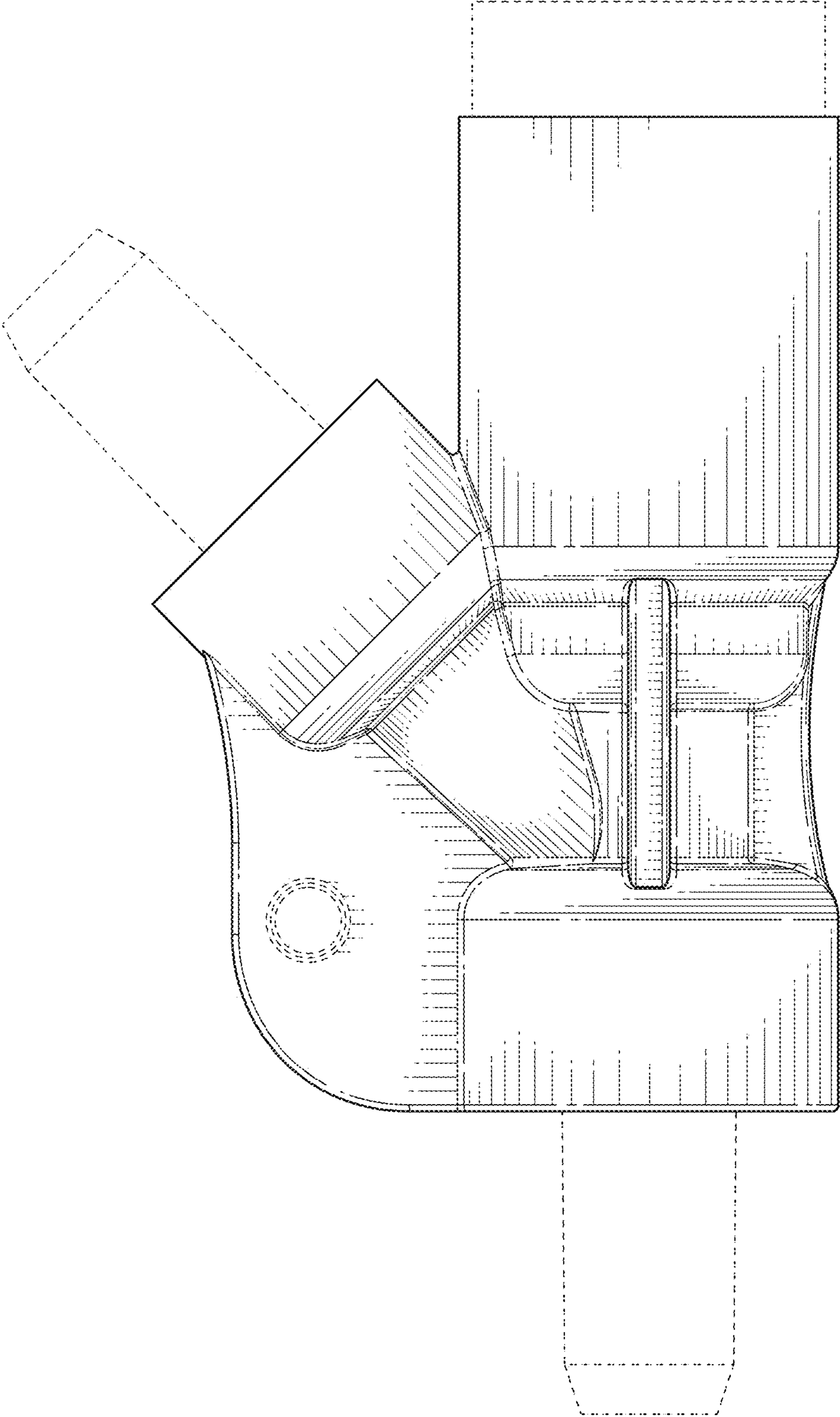


FIG. 3

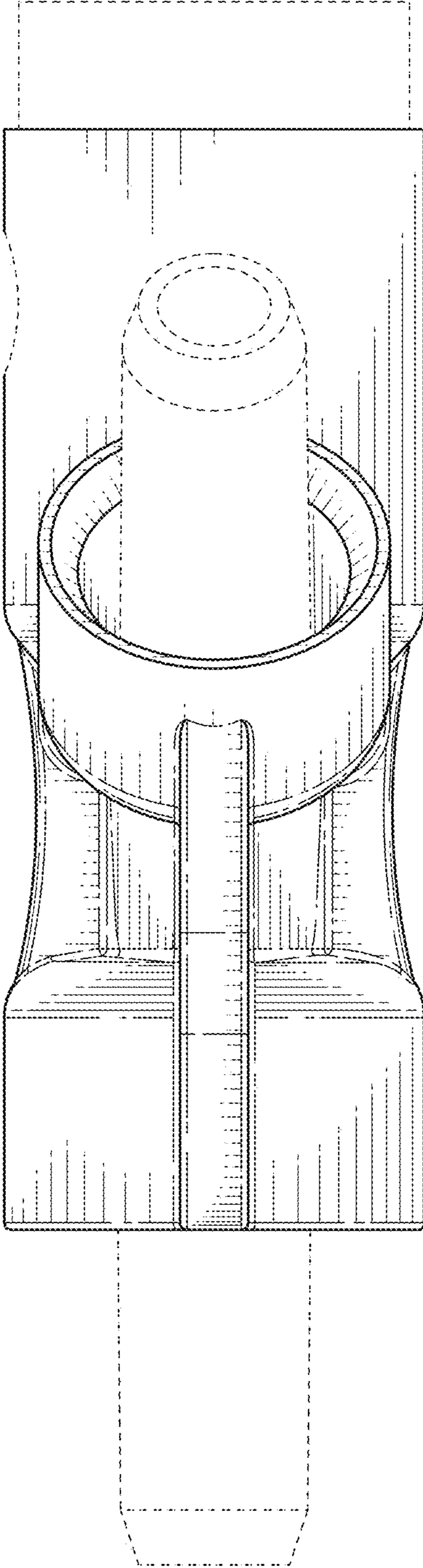


FIG. 4

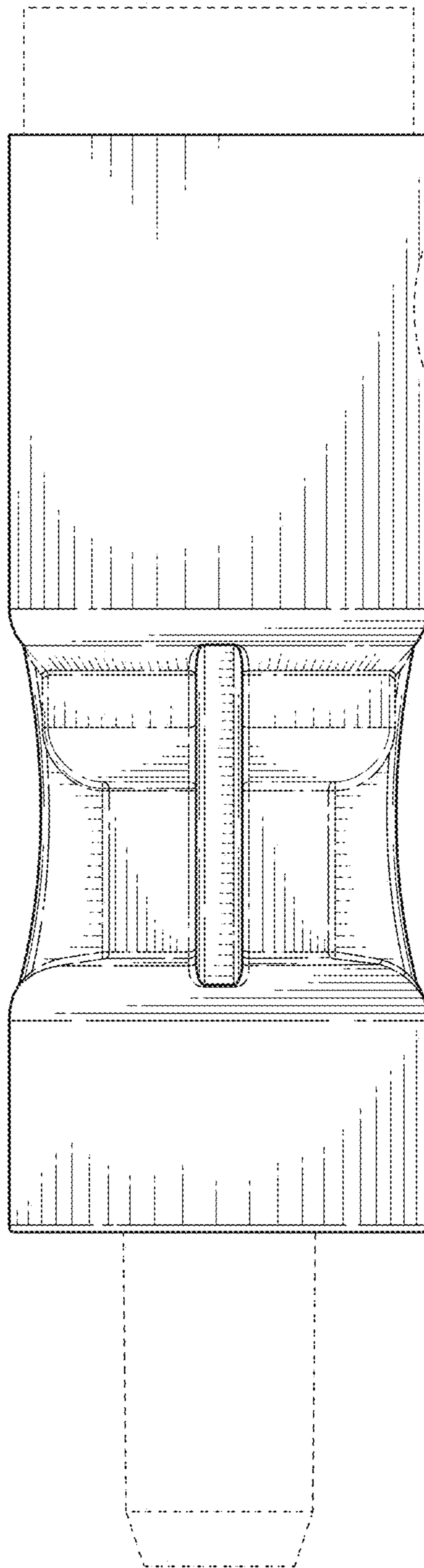


FIG. 5

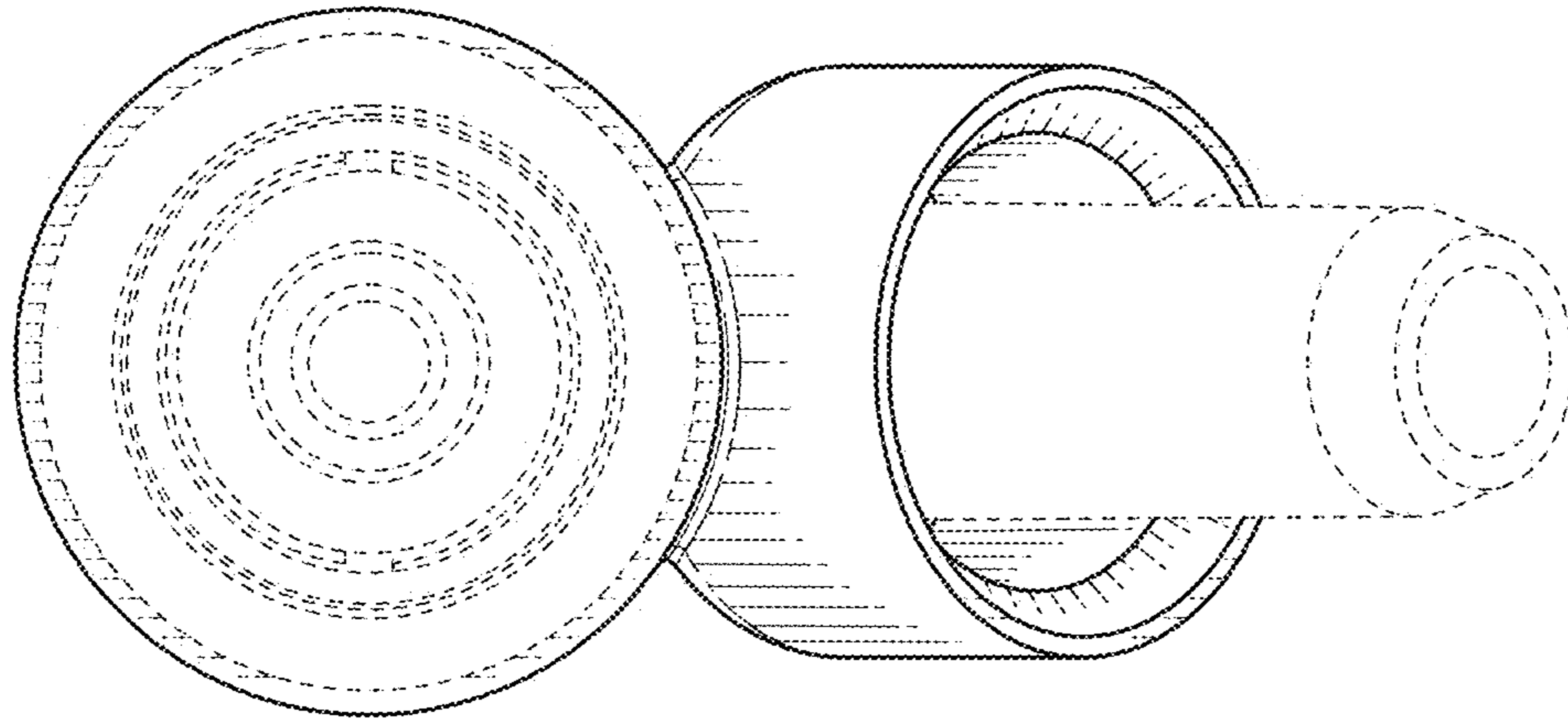


FIG. 6

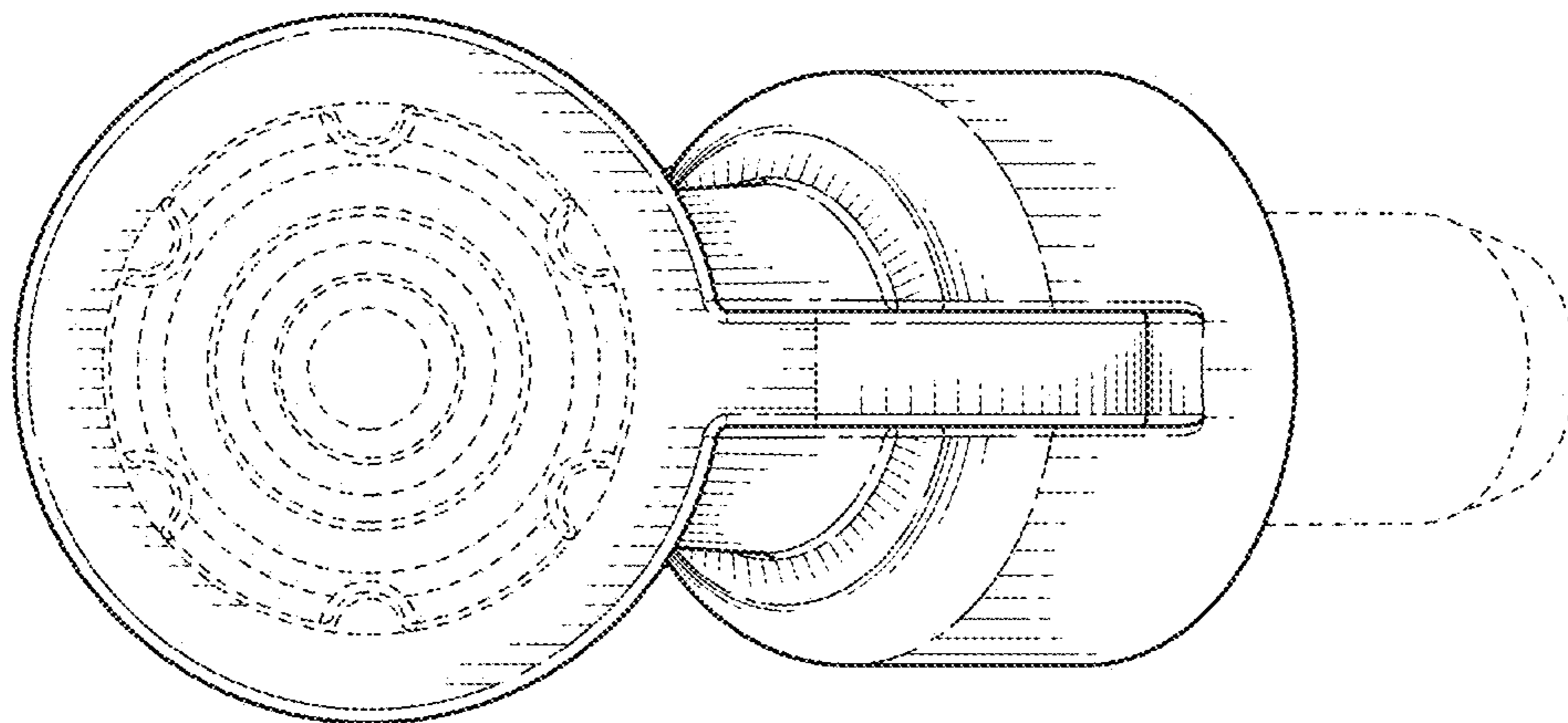


FIG. 7