



US00D903835S

(12) **United States Design Patent**  
**Albright et al.**

(10) **Patent No.:** **US D903,835 S**

(45) **Date of Patent:** **\*\* Dec. 1, 2020**

(54) **COUPLING SEGMENT**

(71) Applicant: **Victaulic Company**, Easton, PA (US)

(72) Inventors: **Christopher M. Albright**, Allentown, PA (US); **Scott D. Madara**, Nazareth, PA (US); **Amit R. Shah**, Quakertown, PA (US)

(73) Assignee: **Victaulic Company**, Easton, PA (US)

(\*\*) Term: **15 Years**

(21) Appl. No.: **29/685,424**

(22) Filed: **Mar. 28, 2019**

(51) **LOC (12) Cl.** ..... **23-01**

(52) **U.S. Cl.**  
USPC ..... **D23/262**

(58) **Field of Classification Search**  
USPC ..... D23/262, 265; D8/349, 354, 382, 394, D8/396

CPC ..... F16L 17/04; F16L 17/03; F16L 17/035; F16L 21/06; F16L 21/065; F16L 21/04; F16L 21/08; F16L 17/025; F16L 55/172; F16L 37/091; F16L 25/08; F16B 7/0426  
See application file for complete search history.

(56) **References Cited**

**U.S. PATENT DOCUMENTS**

529,806	A *	11/1894	Rann	.....	F16L 21/04 277/621
5,058,931	A *	10/1991	Bowsher	.....	F16L 17/04 285/112
6,935,152	B2 *	8/2005	Dole	.....	B21D 17/04 72/105
D595,814	S *	7/2009	Pierce	.....	D23/262
D608,866	S *	1/2010	Henry	.....	D23/262
D608,867	S *	1/2010	Henry	.....	D23/262
D612,463	S *	3/2010	Shah	.....	D23/262
D613,377	S *	4/2010	Shah	.....	D23/262

D614,269	S *	4/2010	Henry	.....	D23/262
D629,075	S *	12/2010	Madara	.....	D23/262
D629,083	S *	12/2010	Dole	.....	D23/262
D629,084	S *	12/2010	Dole	.....	D23/262
D633,600	S *	3/2011	Madara	.....	D23/262
7,988,207	B2 *	8/2011	Dole	.....	F16L 17/04 285/112
D674,060	S *	1/2013	Wilk, Jr.	.....	D23/262
D674,061	S *	1/2013	Cuvo	.....	D23/262
D674,062	S *	1/2013	Madara	.....	D23/262
D685,884	S *	7/2013	Shah	.....	D23/262
D685,885	S *	7/2013	Shah	.....	D23/262
D685,886	S *	7/2013	Shah	.....	D23/262
D685,887	S *	7/2013	Madara	.....	D23/262

(Continued)

*Primary Examiner* — Sandra Snapp

*Assistant Examiner* — Ieisha N Price

(74) *Attorney, Agent, or Firm* — Ballard Spahr LLP

(57) **CLAIM**

The ornamental design for a coupling segment, as shown and described.

**DESCRIPTION**

FIG. 1 is an isometric view of my design for a coupling segment;

FIG. 2 is a front view of the design of the coupling segment shown in FIG. 1;

FIG. 3 is a rear view of the design of the coupling segment shown in FIG. 1;

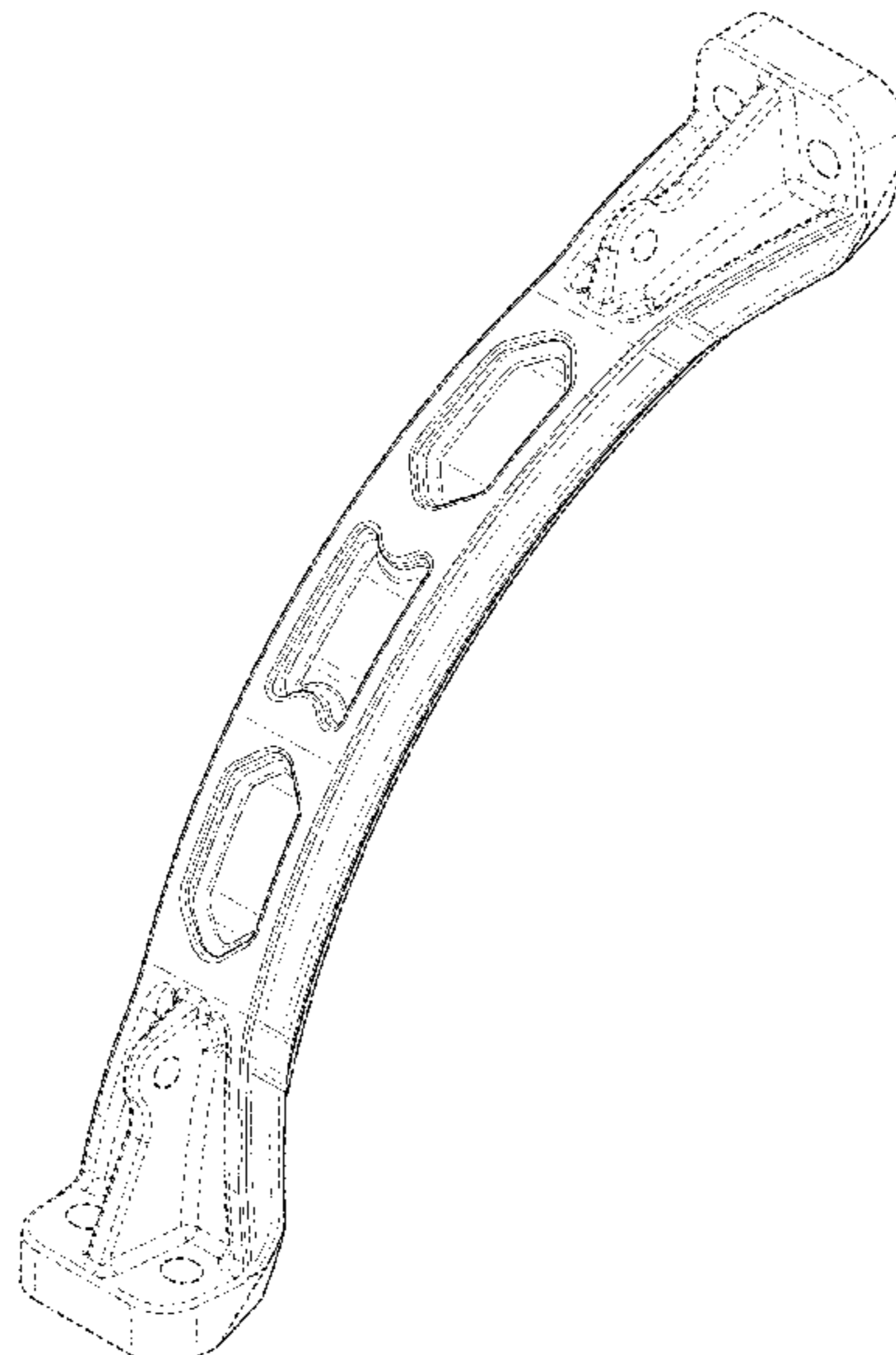
FIG. 4 is a right side view of the design of the coupling segment shown in FIG. 1, the left view being a mirror image thereof;

FIG. 5 is a top view of the design of the coupling segment shown in FIG. 1; and,

FIG. 6 is a bottom view of the design of the coupling segment shown in FIG. 1.

The broken lines depicted in the drawings illustrates portions of the coupling segment and form no part of the claimed design.

**1 Claim, 6 Drawing Sheets**



(56)

**References Cited**

U.S. PATENT DOCUMENTS

D685,888	S *	7/2013	Madara .....	D23/262
D685,889	S *	7/2013	Madara .....	D23/262
D737,412	S *	8/2015	Yesavage .....	D23/262
D750,957	S *	3/2016	Cuvo .....	D8/396
D753,272	S *	4/2016	Marsicano .....	D23/262
D755,621	S *	5/2016	Madara .....	D23/262
D756,212	S *	5/2016	Wilk, Jr. ....	D23/262
D767,103	S *	9/2016	Sewell .....	D23/262
9,631,759	B2 *	4/2017	Chase .....	F16L 51/00
D819,435	S *	6/2018	Bancroft .....	D8/396
D820,076	S *	6/2018	Ramirez .....	D8/396
10,190,707	B2 *	1/2019	Brandt .....	B21D 1/00
D875,221	S *	2/2020	Huettemann .....	D23/262
10,550,971	B2 *	2/2020	Madara .....	F16L 17/04
2015/0176728	A1 *	6/2015	Bowman .....	F16L 21/065
				285/309
2019/0331265	A1 *	10/2019	Bowman .....	F16L 17/04

\* cited by examiner

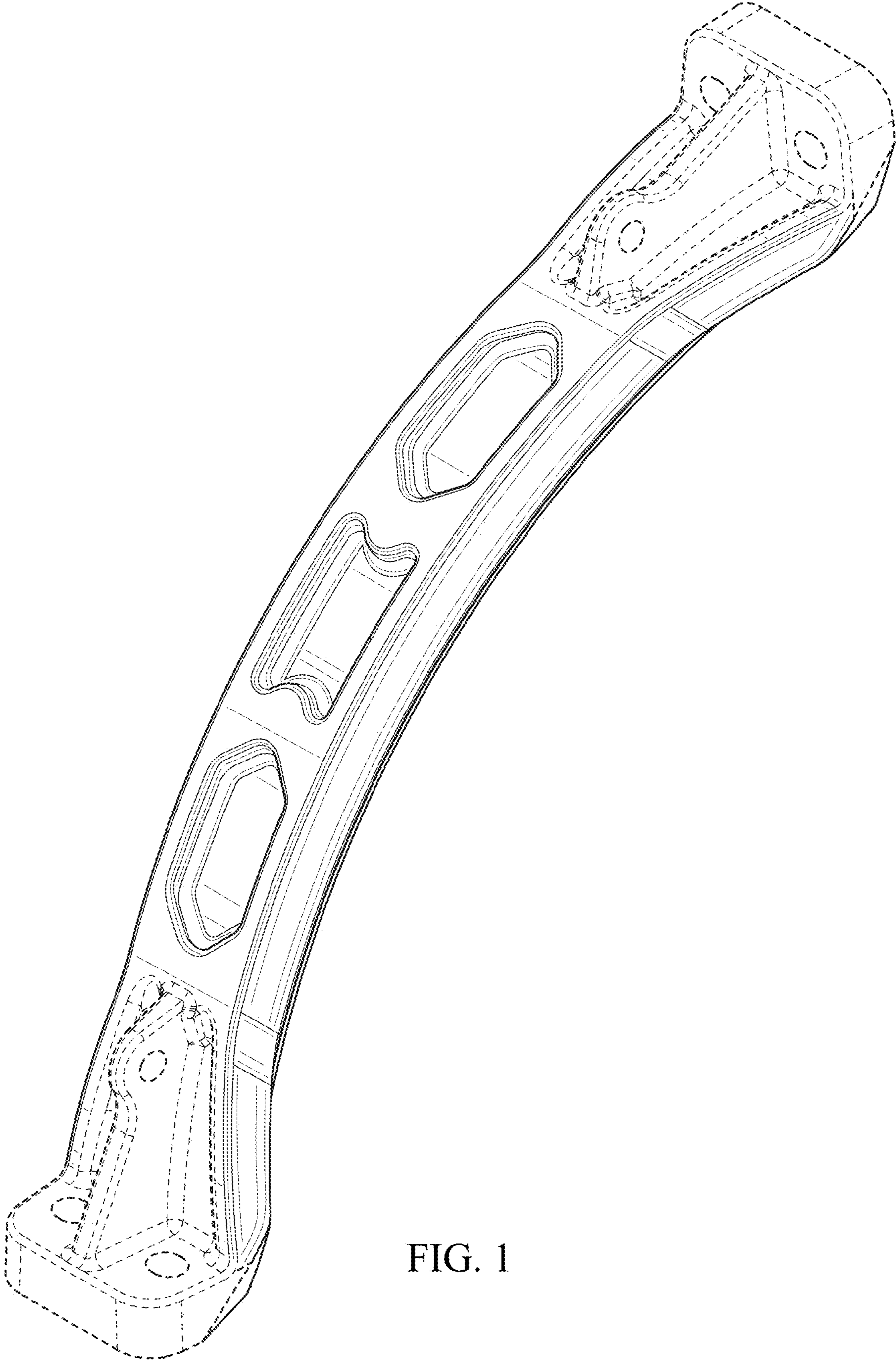


FIG. 1

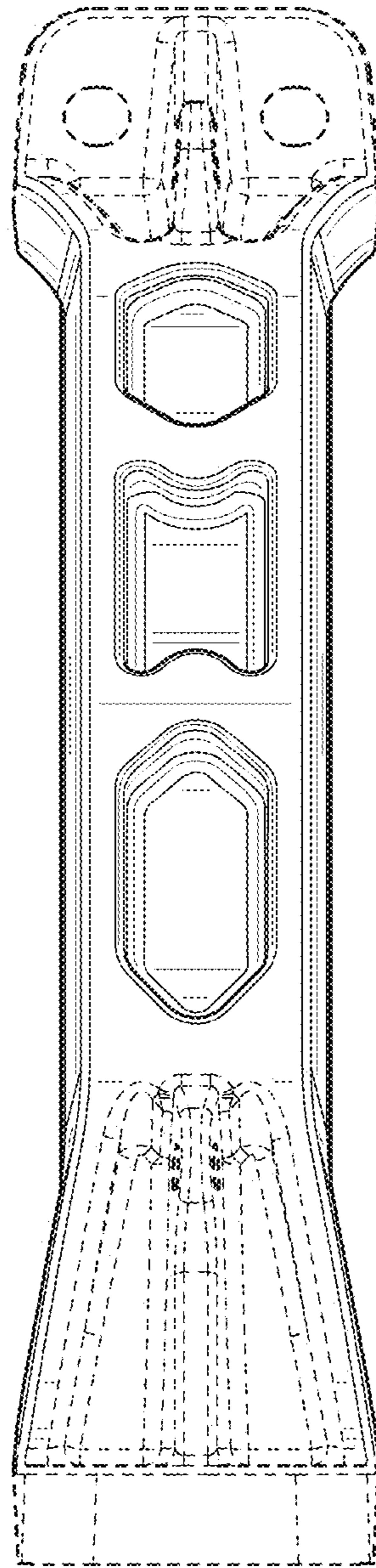


FIG. 2



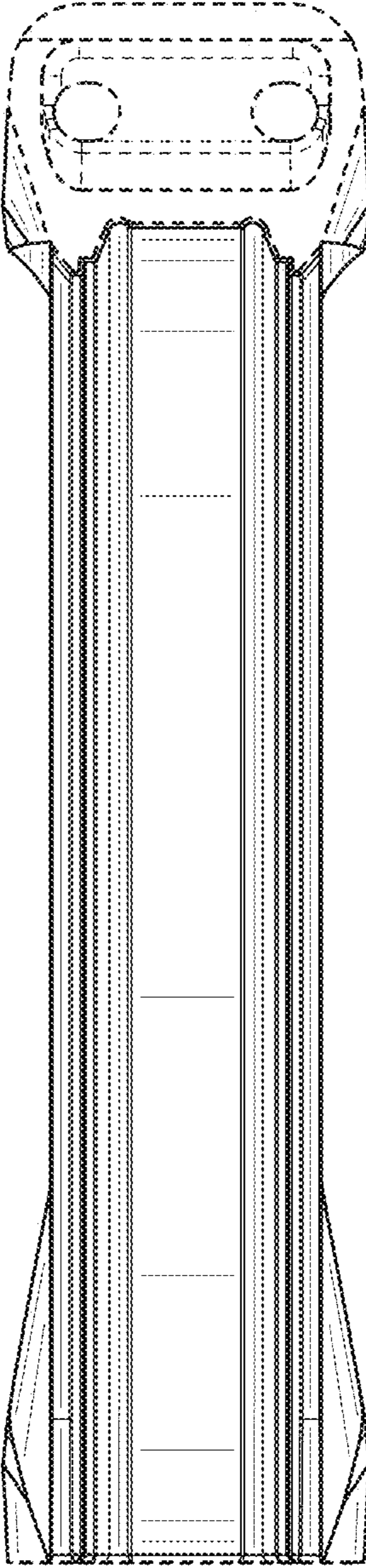


FIG. 3

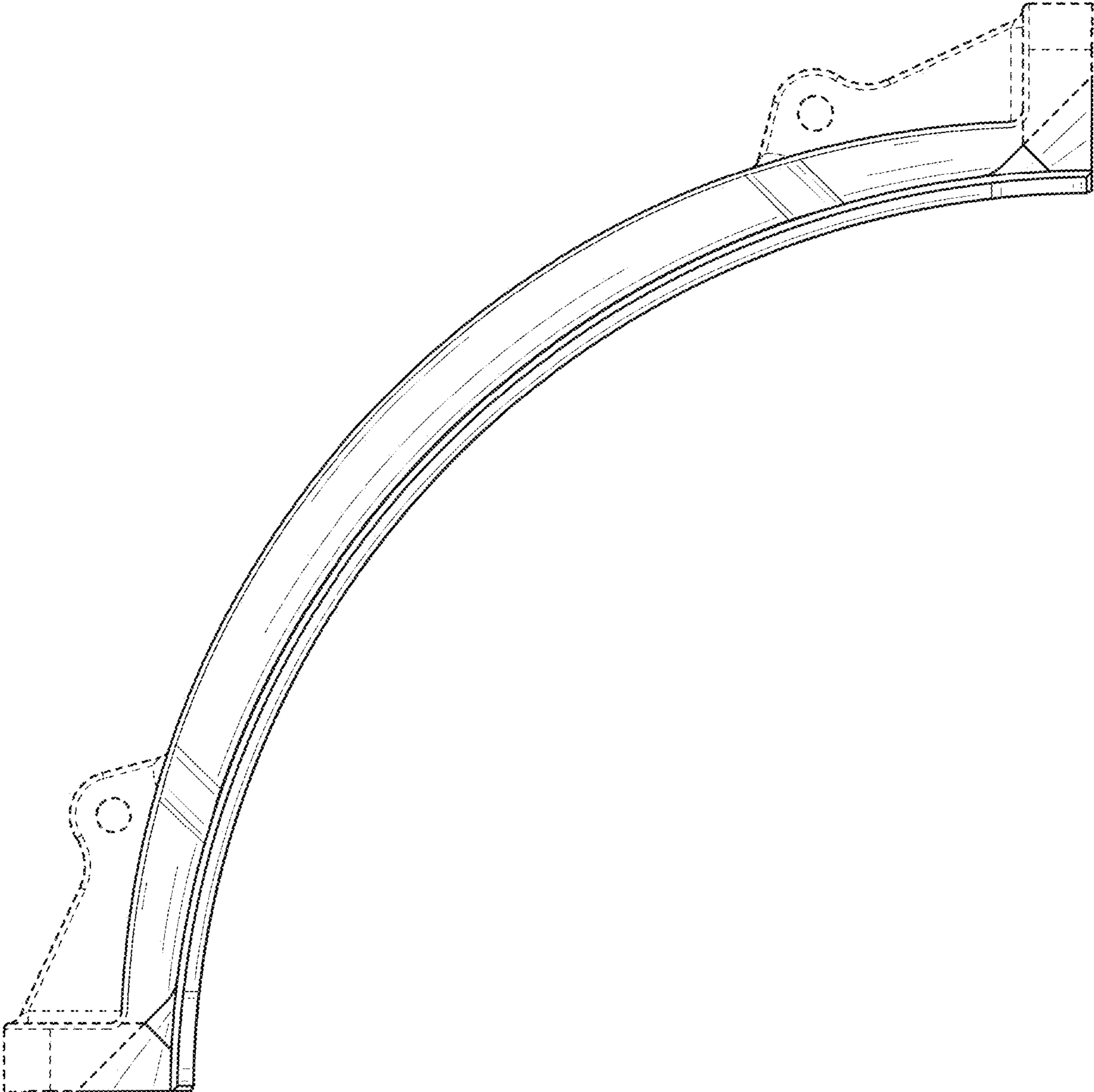


FIG. 4

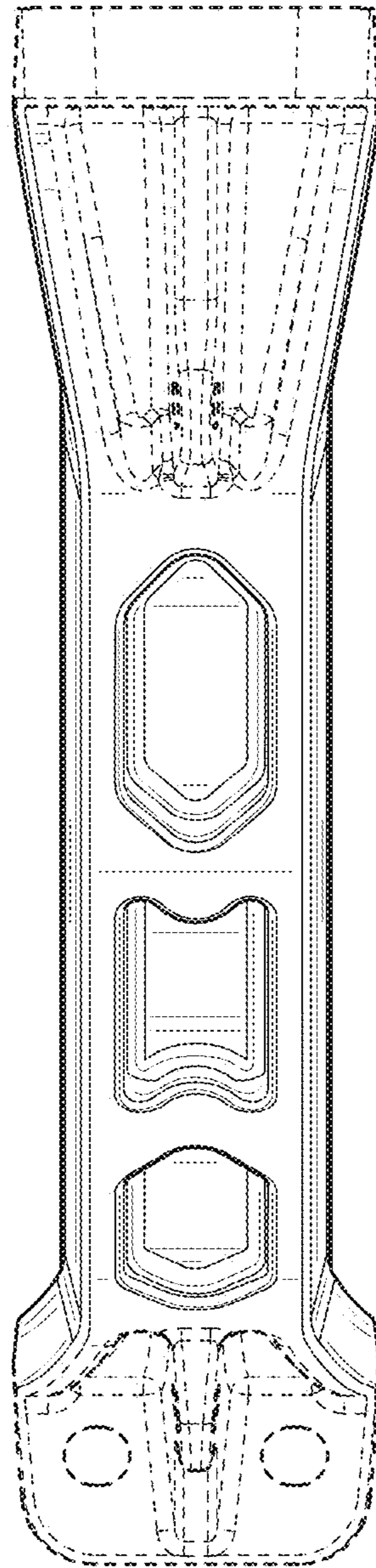


FIG. 5

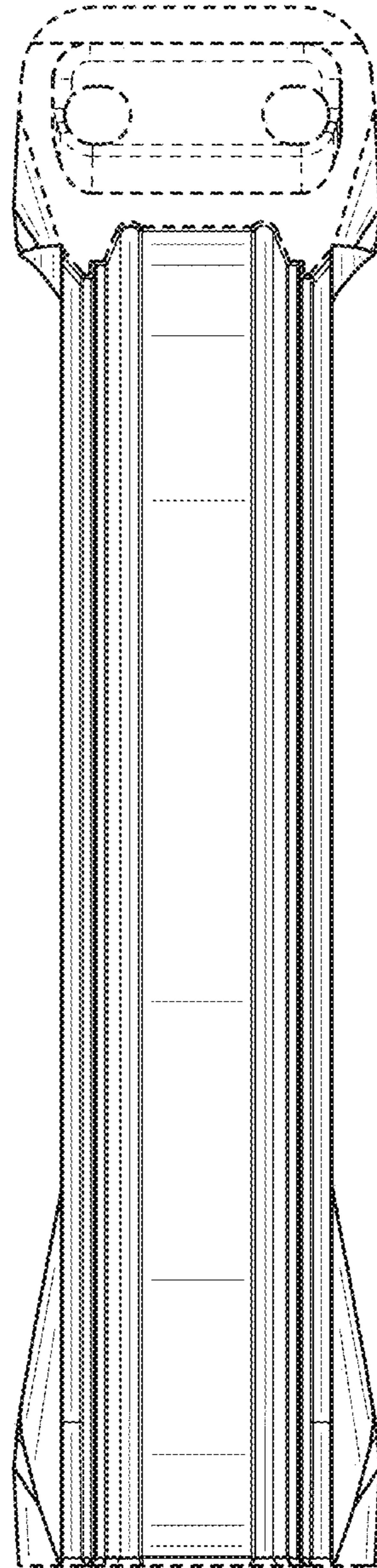


FIG. 6