



US00D903832S

(12) **United States Design Patent**
Harper et al.

(10) **Patent No.:** **US D903,832 S**

(45) **Date of Patent:** **** Dec. 1, 2020**

(54) **FITTING**

(71) Applicant: **EKWB d.o.o.**, Komenda (SI)

(72) Inventors: **Daniel George Harper**, London (GB);
Eugene Chen, Hsinchu (TW); **Pitt Chang**, New Taipei (TW)

(73) Assignee: **EKWB D.O.O.**, Komeda (SI)

(**) Term: **15 Years**

(21) Appl. No.: **29/675,963**

(22) Filed: **Jan. 7, 2019**

(51) **LOC (12) Cl.** **23-01**

(52) **U.S. Cl.**
USPC **D23/259**

(58) **Field of Classification Search**
USPC D23/259, 266, 262-263, 265, 213, 233;
D24/110-112, 127, 129, 110.6; D8/356,
D8/382, 395-396; 285/308, 149.6, 320,
285/148.9, 148.21, 148.22, 148.2, 129.1,
285/129.2, 134.1; 251/149.6;
137/614.02, 614.05-614.06, 798, 173,
137/226, 330; D27/163-169, 194;
D9/448-450, 453
CPC F16L 21/08; F16L 27/073; A61M 39/26
See application file for complete search history.

(56) **References Cited**

U.S. PATENT DOCUMENTS

3,428,340 A * 2/1969 Pelton F16L 37/0885
285/95
D263,163 S * 2/1982 Olde D23/262

D267,506 S * 1/1983 Evans D23/262
D272,718 S * 2/1984 Knudson D8/382
D297,620 S * 9/1988 Cracauer D9/447
D311,606 S * 10/1990 Henry D23/213
D347,465 S * 5/1994 Luppino D23/233
D397,413 S * 8/1998 Sapp D23/262
D425,385 S * 5/2000 Jarvis D8/29
D476,957 S * 7/2003 Chudoba D13/151
D484,411 S * 12/2003 Haruch D9/439
D640,787 S * 6/2011 Chia D24/130
D711,516 S * 8/2014 Guest D23/262
D721,266 S * 1/2015 Sun D8/382

* cited by examiner

Primary Examiner — Amy C Wierenga

(74) *Attorney, Agent, or Firm* — McGarry Bair PC

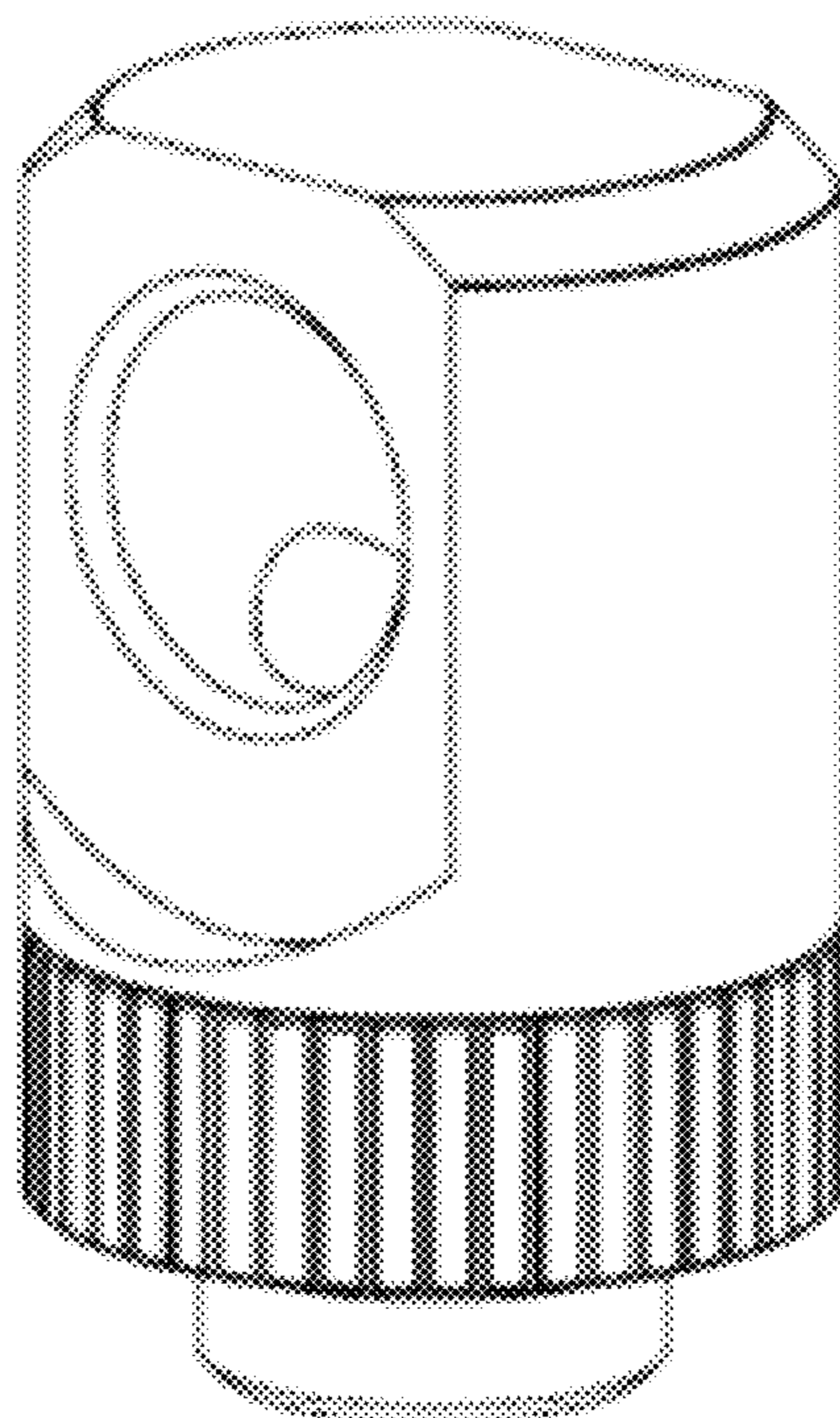
(57) **CLAIM**

The ornamental design for a fitting, as shown and described.

DESCRIPTION

FIG. 1 is a top perspective view of a fitting, showing our new design;
FIG. 2 is a top view thereof;
FIG. 3 is a side view thereof;
FIG. 4 is a front side view thereof; and,
FIG. 5 is a cross-sectional view thereof, taken along section line V-V of FIG. 4.
The alternating dashed-line and solid-line pattern shown in the sectional view of FIG. 5 is only included to indicate sectioned portions of the fitting, and forms no part of the claimed design.

1 Claim, 1 Drawing Sheet



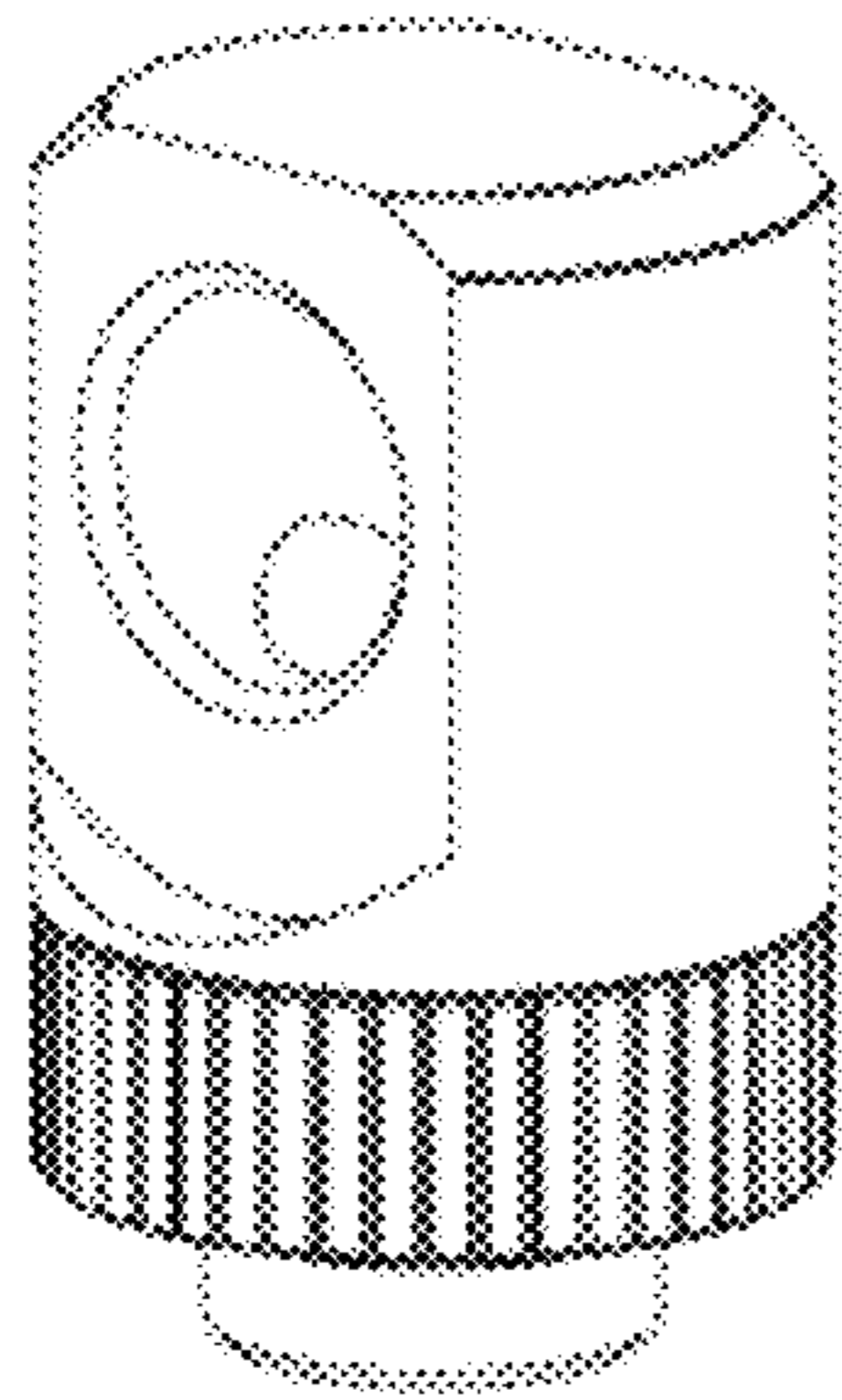


FIG. 1

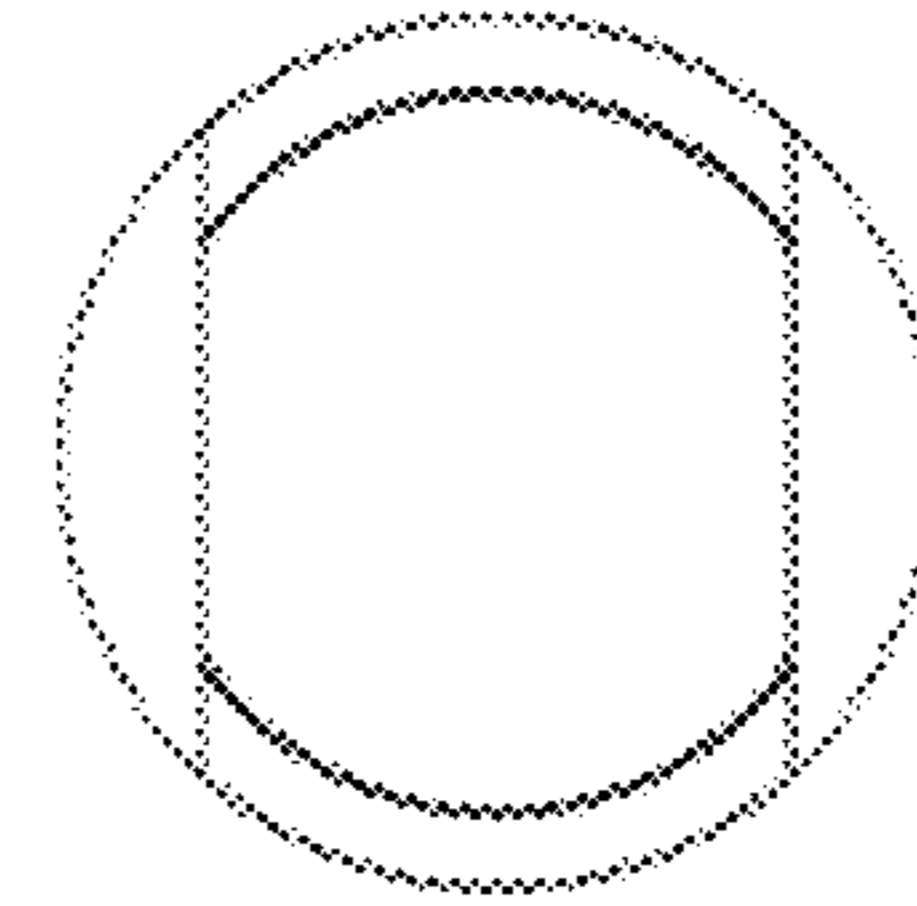


FIG. 2

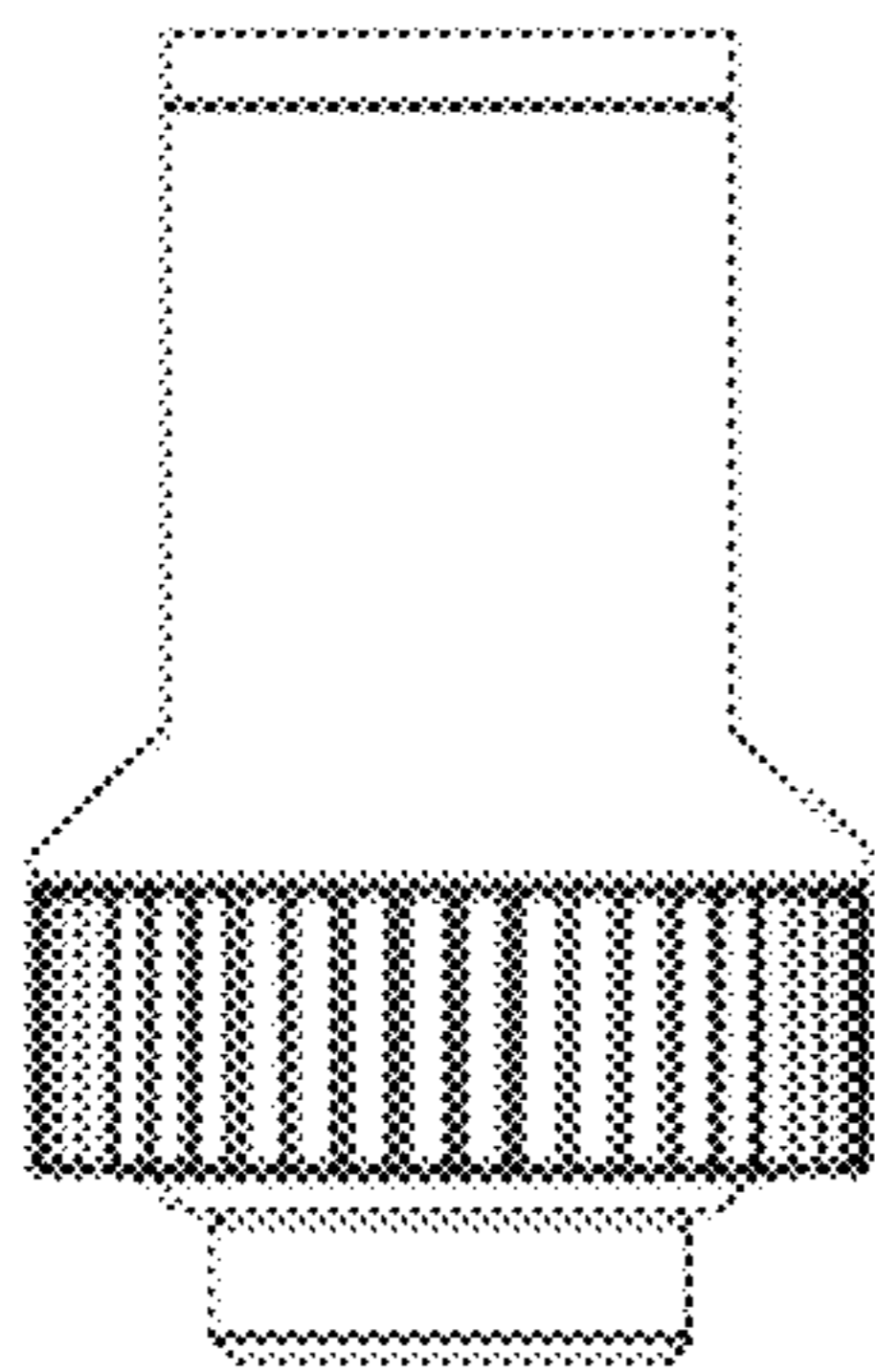


FIG. 3

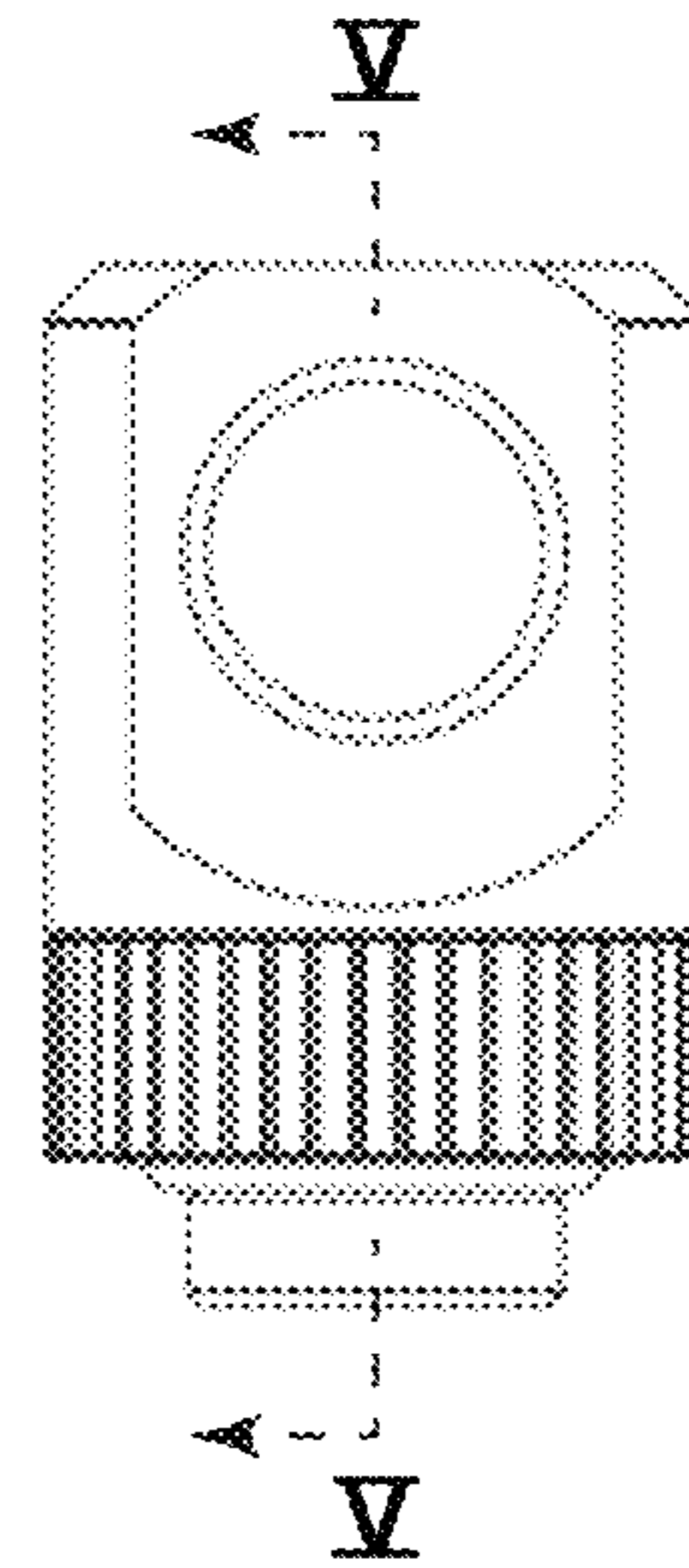


FIG. 4

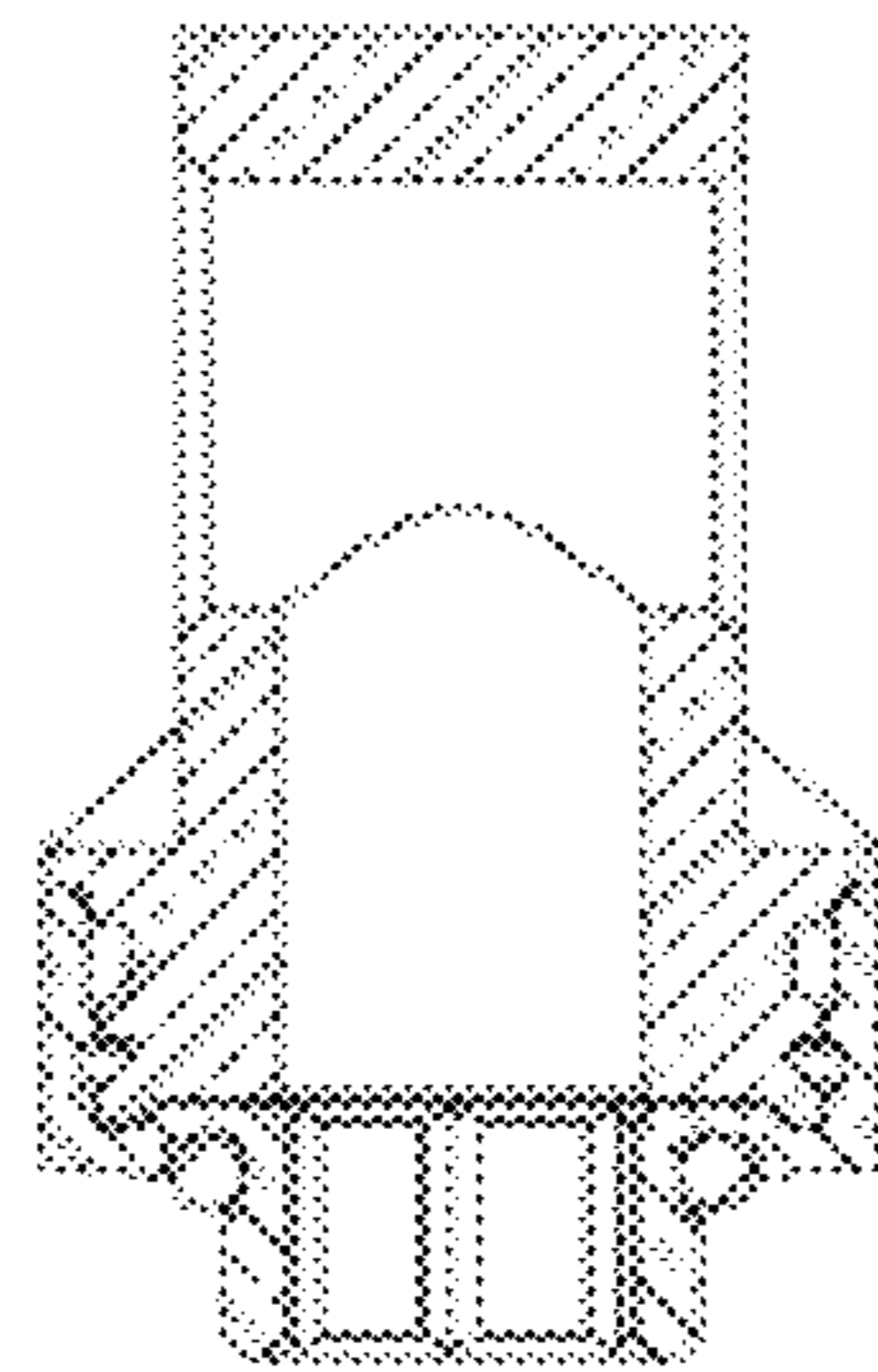


FIG. 5