



US00D903831S

(12) **United States Design Patent** (10) **Patent No.:** **US D903,831 S**
Harper et al. (45) **Date of Patent:** **** Dec. 1, 2020**

(54) **FITTING**
 (71) Applicant: **EKWB d.o.o.**, Komenda (SI)
 (72) Inventors: **Daniel George Harper**, London (GB);
Eugene Chen, Hsinchu (TW); **Pitt Chang**, New Taipei (TW)

5,358,132 A * 10/1994 Bennett B65D 47/286
 220/253
 D397,413 S * 8/1998 Sapp D23/262
 D484,411 S * 12/2003 Haruch D9/439
 D545,191 S * 6/2007 Acosta-Rubio D9/448
 D711,516 S * 8/2014 Guest D23/262
 D721,266 S * 1/2015 Sun D8/382

(73) Assignee: **EKWB D.O.O.**, Komeda (SI)
 (**) Term: **15 Years**
 (21) Appl. No.: **29/675,957**
 (22) Filed: **Jan. 7, 2019**
 (51) **LOC (12) Cl.** **23-01**
 (52) **U.S. Cl.**
 USPC **D23/259**
 (58) **Field of Classification Search**
 USPC D23/259, 266, 262-263, 265, 213, 233;
 D24/110-112, 127, 129, 110.6; D8/356,
 D8/382, 395-396; 285/308, 149.6, 320,
 285/148.9, 148.21, 148.22, 148.2, 129.1,
 285/129.2, 134.1; 251/149.6;
 137/614.02, 614.05-614.06, 798, 173,
 137/226, 330; D27/163-169, 194;
 D9/448-450, 453
 CPC F16L 21/08; F16L 27/073; A61M 39/26
 See application file for complete search history.

OTHER PUBLICATIONS

EKWB Ek-Torque 45 Angled Fitting. on newegg.com Date First Available Dec. 22, 2019; Visited Online Apr. 17, 2020; <https://www.newegg.com/p/37B-000B-00374> (Year: 2019).*

EKWB Ek-Torque 45 Angled Fitting; Amazon First Available Date Jun. 21, 2019; https://www.amazon.com/dp/B07T9H2Y38/ref=sspa_dk_detail_3?pd_rd_i=B07T9H2Y38&pd_rd_w=ATIHh&pf_rd_p=48d372c1-f7e1-4b8b-9d02-4bd86f5158c5&pd_rd_wg=ces13&pf_rd_r=VDHQ513RT5TZPY6QB8VV&pd_rd_r=eda6f647-67 (Year: 2019).*

* cited by examiner

Primary Examiner — Amy C Wierenga
 (74) *Attorney, Agent, or Firm* — McGarry Bair PC

(57) **CLAIM**

The ornamental design for a fitting, as shown and described.

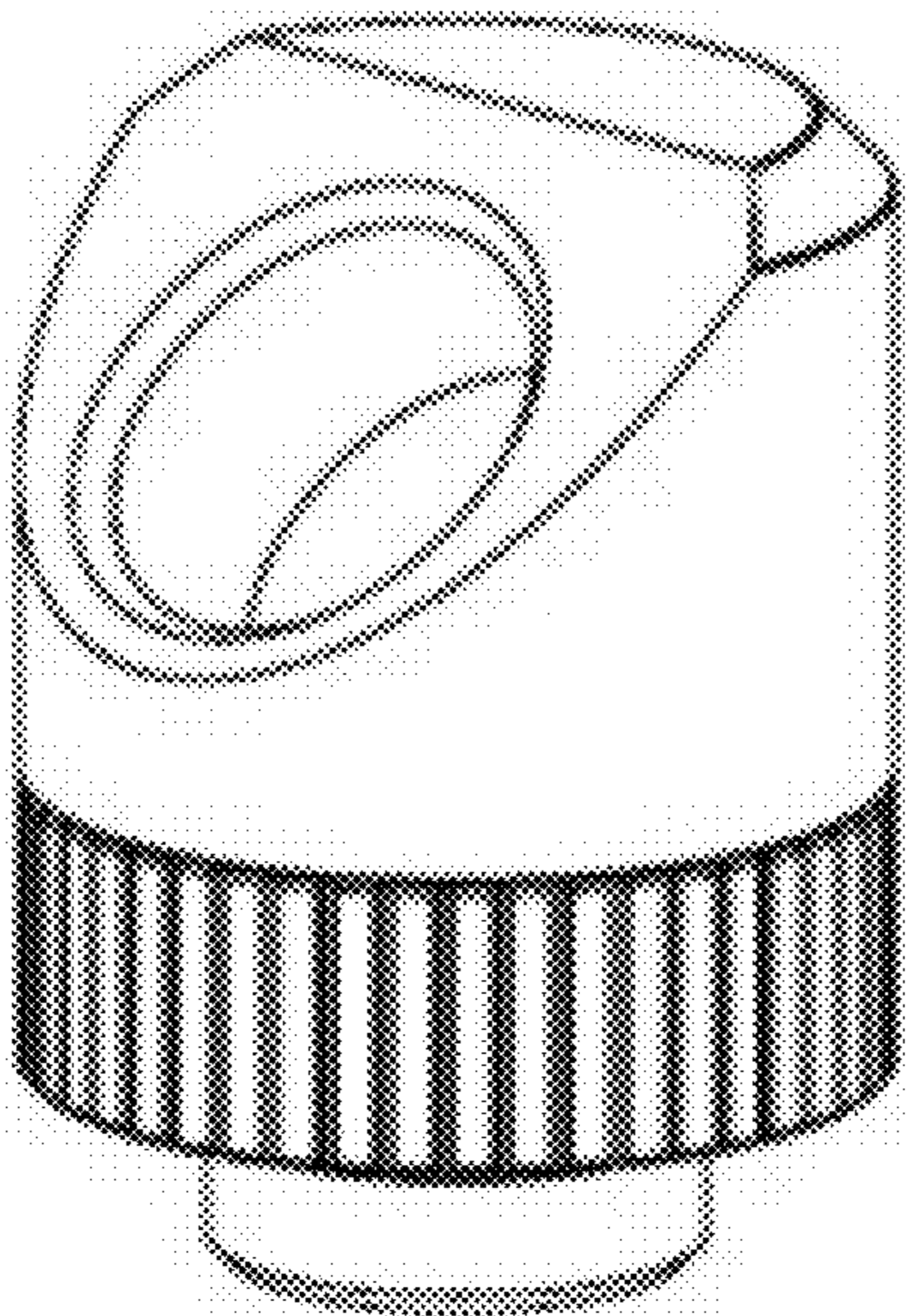
DESCRIPTION

FIG. 1 is a top perspective view of a fitting, showing our new design;
 FIG. 2 is a top view thereof;
 FIG. 3 is a side view thereof;
 FIG. 4 is a front side view thereof; and,
 FIG. 5 is a cross-sectional view thereof, taken along section line V-V of FIG. 4.

The alternating dashed-line and solid-line pattern shown in the sectional view of FIG. 5 is only included to indicate sectioned portions of the fitting, and forms no part of the claimed design.

(56) **References Cited**
 U.S. PATENT DOCUMENTS
 3,428,340 A * 2/1969 Pelton F16L 37/0885
 285/95
 D263,163 S * 2/1982 Olde D23/262
 D267,506 S * 1/1983 Evans D23/262
 D272,718 S * 2/1984 Knudson D8/382
 D297,620 S * 9/1988 Cracauer D9/447
 D311,606 S * 10/1990 Henry D23/213
 D347,465 S * 5/1994 Luppino D23/233

1 Claim, 1 Drawing Sheet



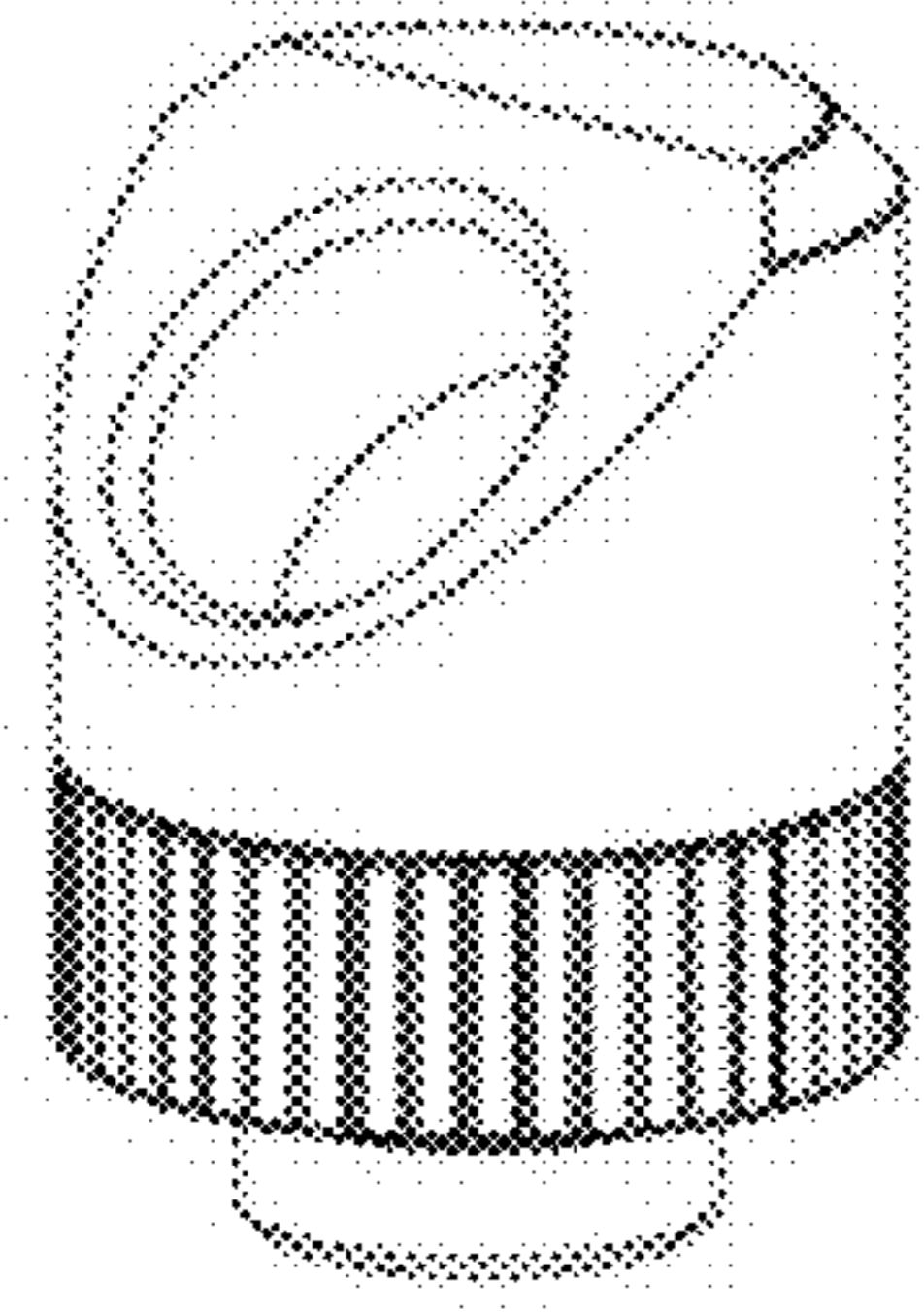


FIG. 1

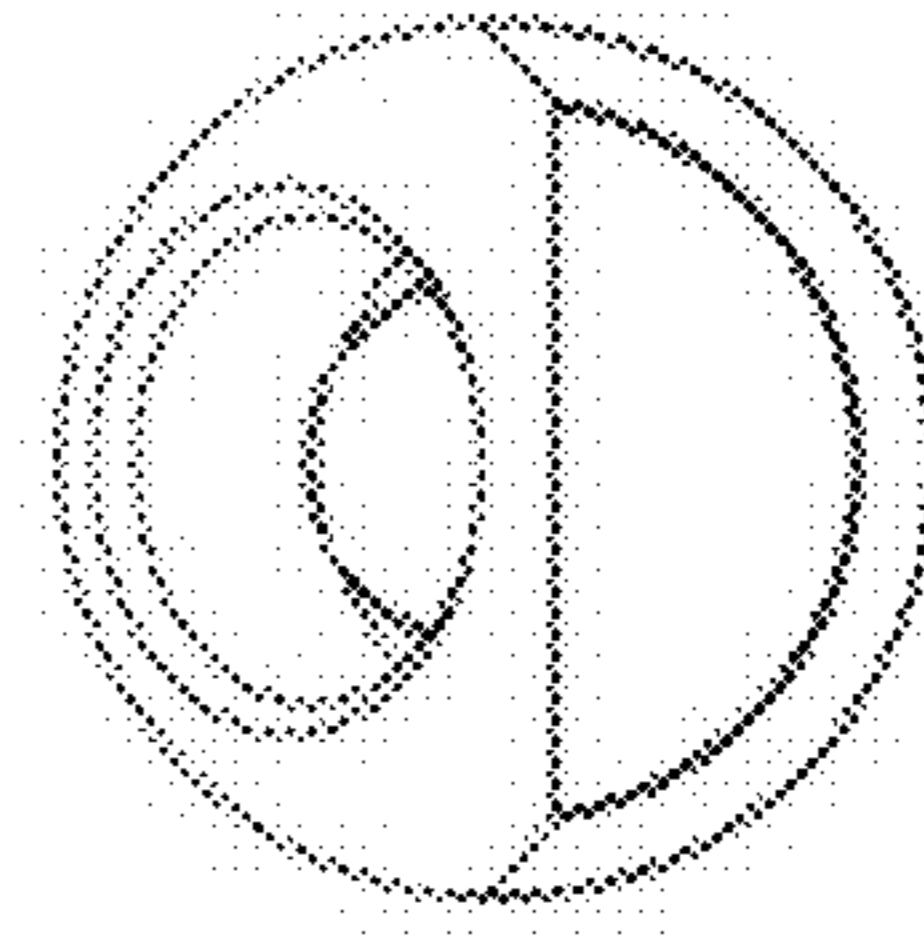


FIG. 2

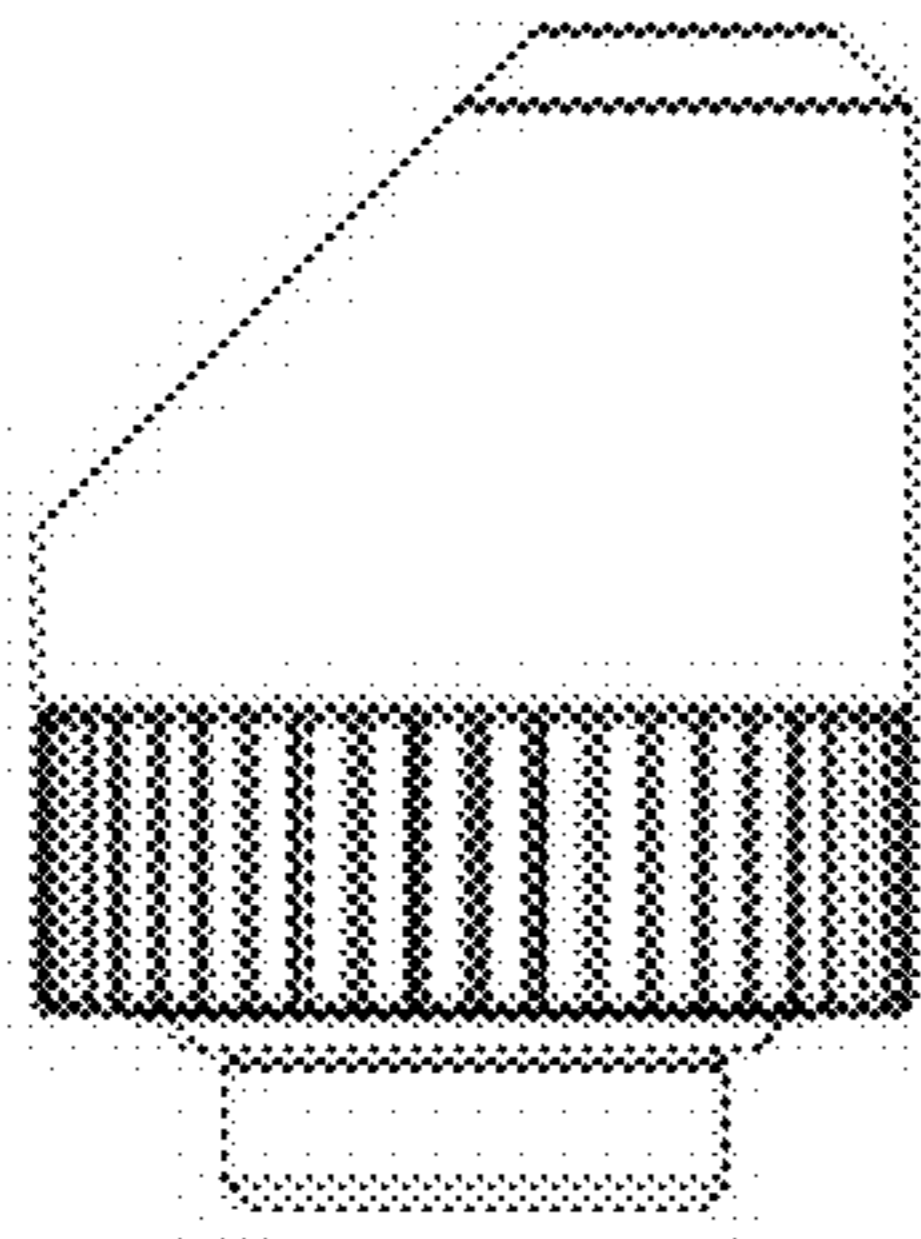


FIG. 3

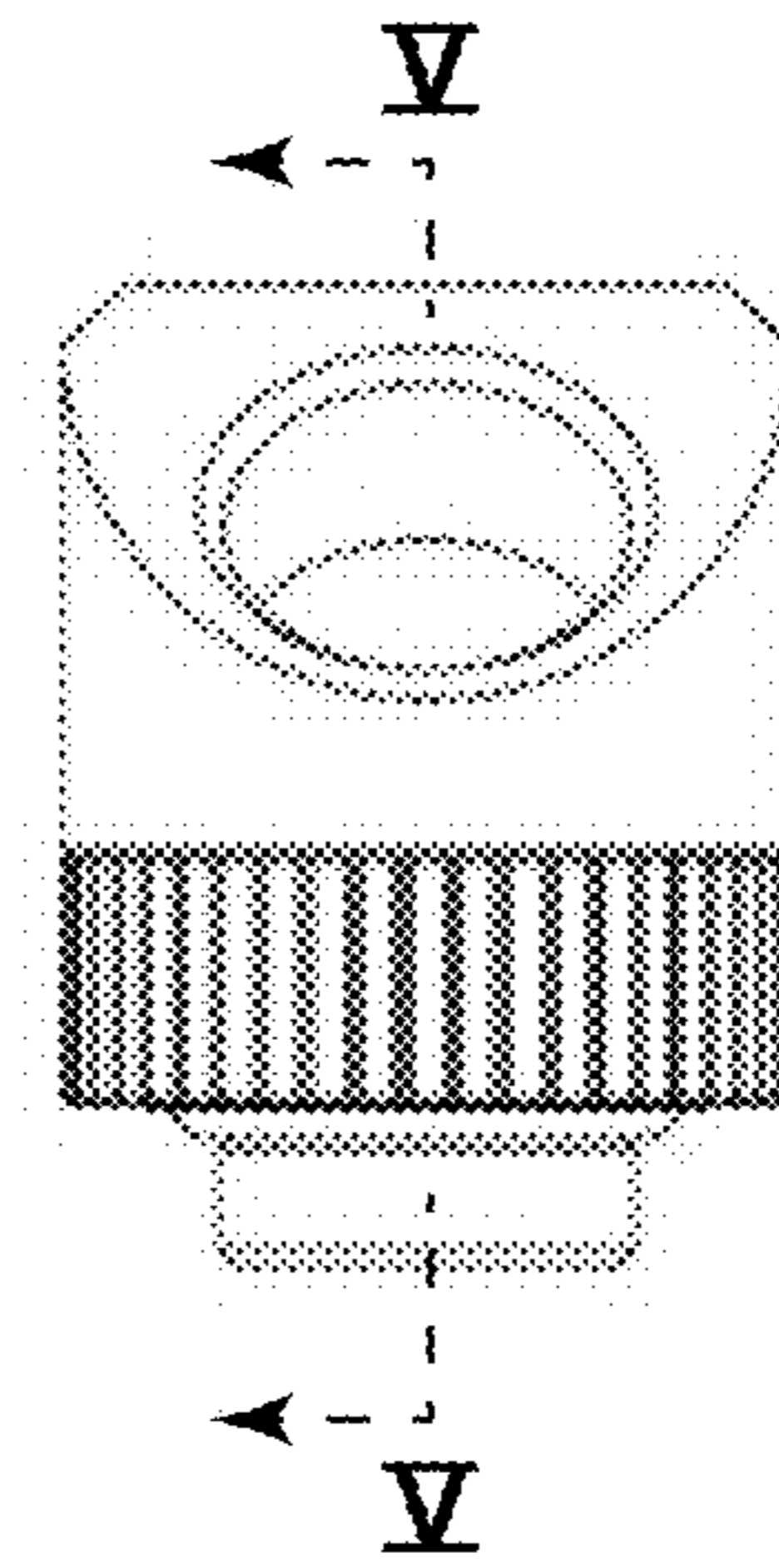


FIG. 4

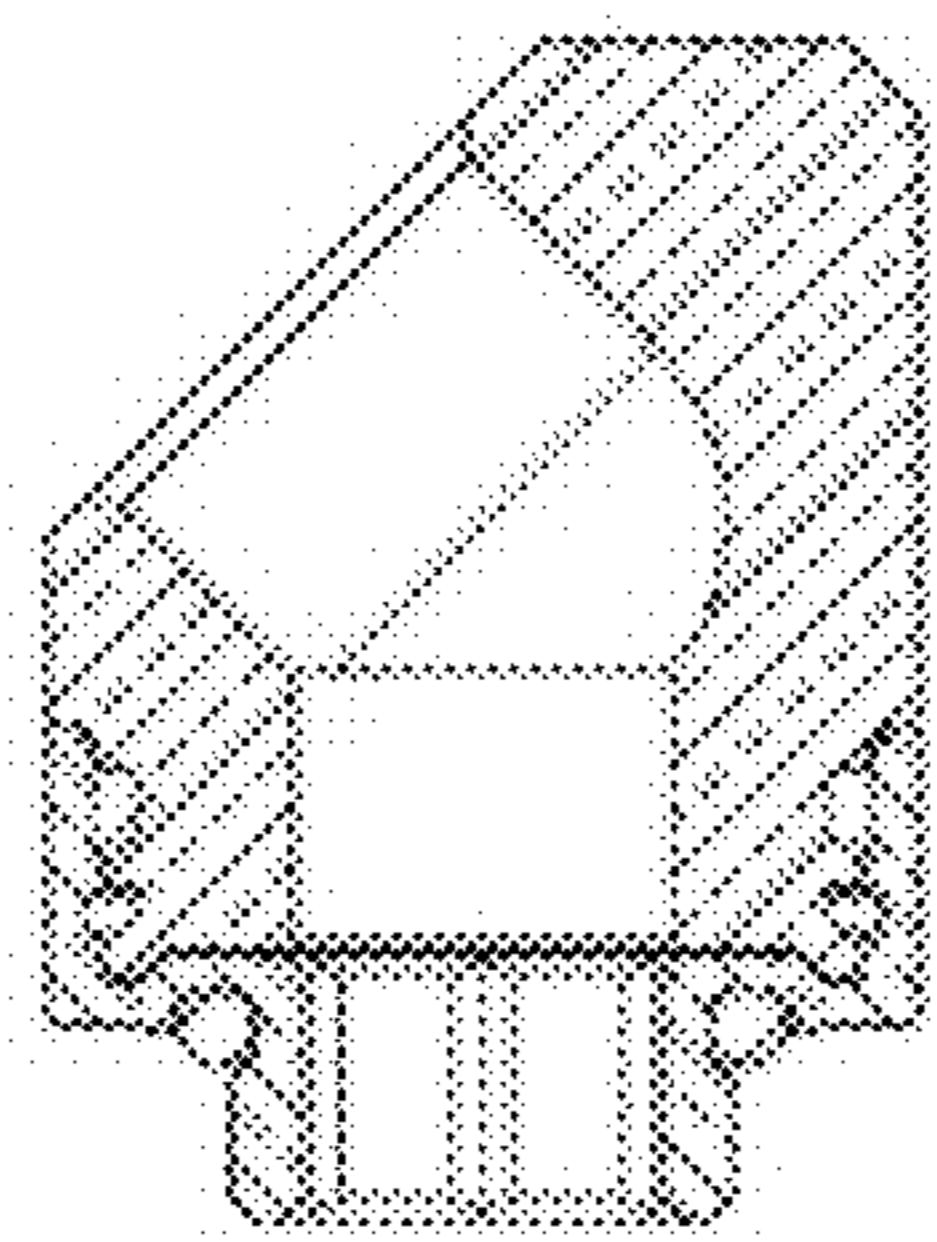


FIG. 5