



US00D903829S

(12) **United States Design Patent** (10) **Patent No.:** **US D903,829 S**  
**Leinonen et al.** (45) **Date of Patent:** **\*\* Dec. 1, 2020**

(54) **VALVE CONTROLLER**

(56) **References Cited**

(71) Applicant: **METSO FLOW CONTROL OY**,  
Vantaa (FI)

U.S. PATENT DOCUMENTS

(72) Inventors: **Samuel Leinonen**, Vantaa (FI); **Ville Wuorinen**, Helsinki (FI)

D318,519 S \* 7/1991 Kuivila ..... D23/245  
D791,918 S \* 7/2017 Anundi ..... D23/237  
D805,603 S \* 12/2017 Hauth ..... D23/233  
D844,754 S \* 4/2019 Leinonen ..... D23/249  
D872,839 S \* 1/2020 Leinonen ..... D23/249

(73) Assignee: **METSO FLOW CONTROL**, Vantaa (FI)

\* cited by examiner

(\*\*) Term: **15 Years**

*Primary Examiner* — Gino Colan

(21) Appl. No.: **29/702,392**

(74) *Attorney, Agent, or Firm* — Oliff PLC

(22) Filed: **Aug. 19, 2019**

(57) **CLAIM**

The ornamental design for a valve controller, as shown and described.

(30) **Foreign Application Priority Data**

**DESCRIPTION**

Feb. 19, 2019 (EM) ..... 006260865

(51) **LOC (12) Cl.** ..... **23-01**

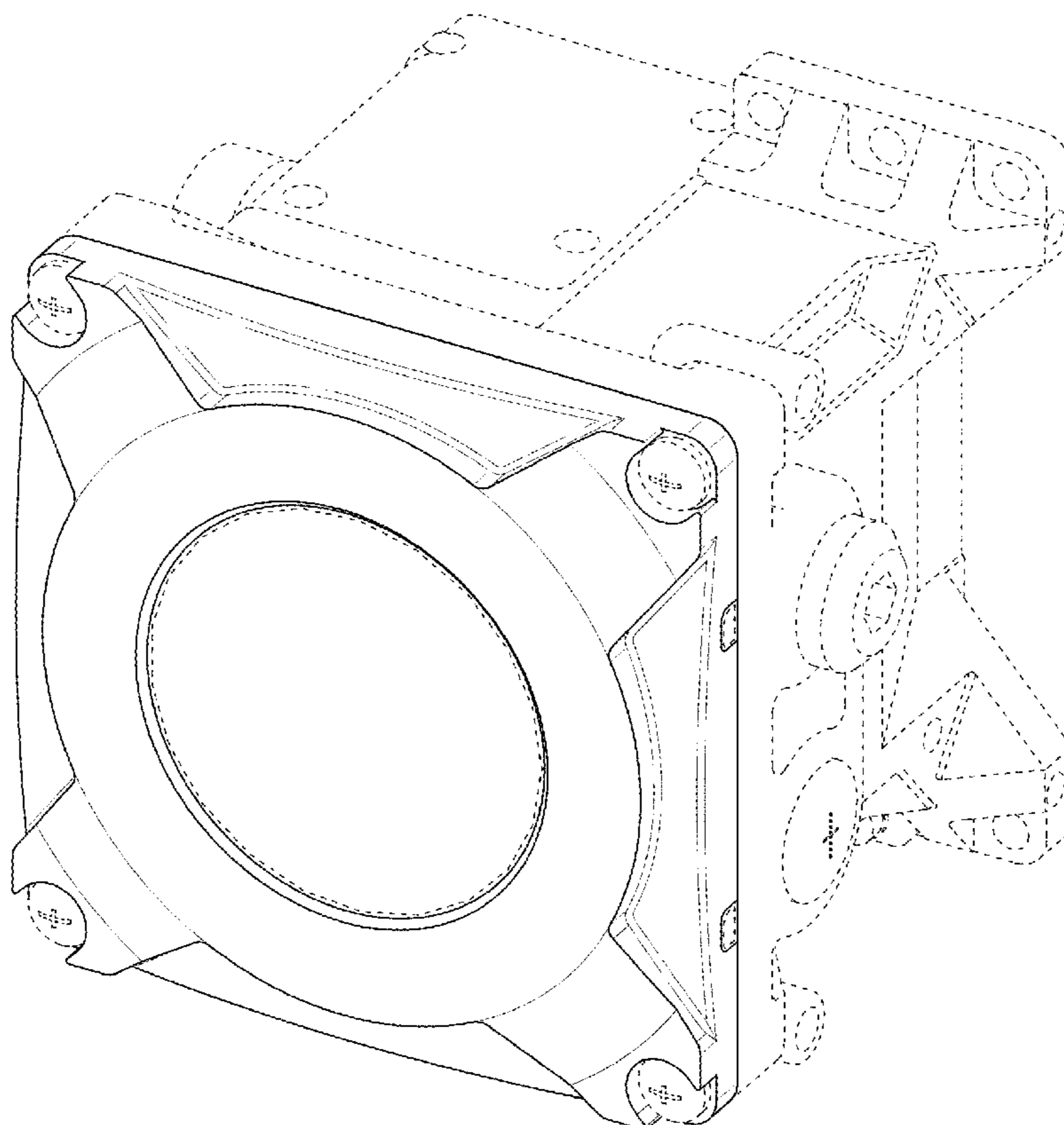
(52) **U.S. Cl.**  
USPC ..... **D23/249**

(58) **Field of Classification Search**  
USPC ..... D23/233, 235, 237, 241–249, 257;  
251/129.15, 30.01, 214, 330, 306, 363;  
137/487.5, 624.11, 625.64, 486, 551,  
137/565.15, 596.12  
CPC .. F16K 31/007; F16K 31/042; F16K 31/0675;  
F16K 99/0042; F16K 31/02; F16K  
5/0652; F16K 31/004; F16K 27/048

See application file for complete search history.

FIG. 1 is a front, right-side, top perspective view of the valve controller;  
FIG. 2 is a front elevational view thereof;  
FIG. 3 is a top plan view thereof;  
FIG. 4 is a bottom plan view thereof;  
FIG. 5 is a right-side elevational view thereof;  
FIG. 6 is a left-side elevational view thereof; and,  
FIG. 7 is a front, left-side, top perspective view thereof.  
The broken lines depict parts of the valve controller that form no part of the claimed design.

**1 Claim, 7 Drawing Sheets**



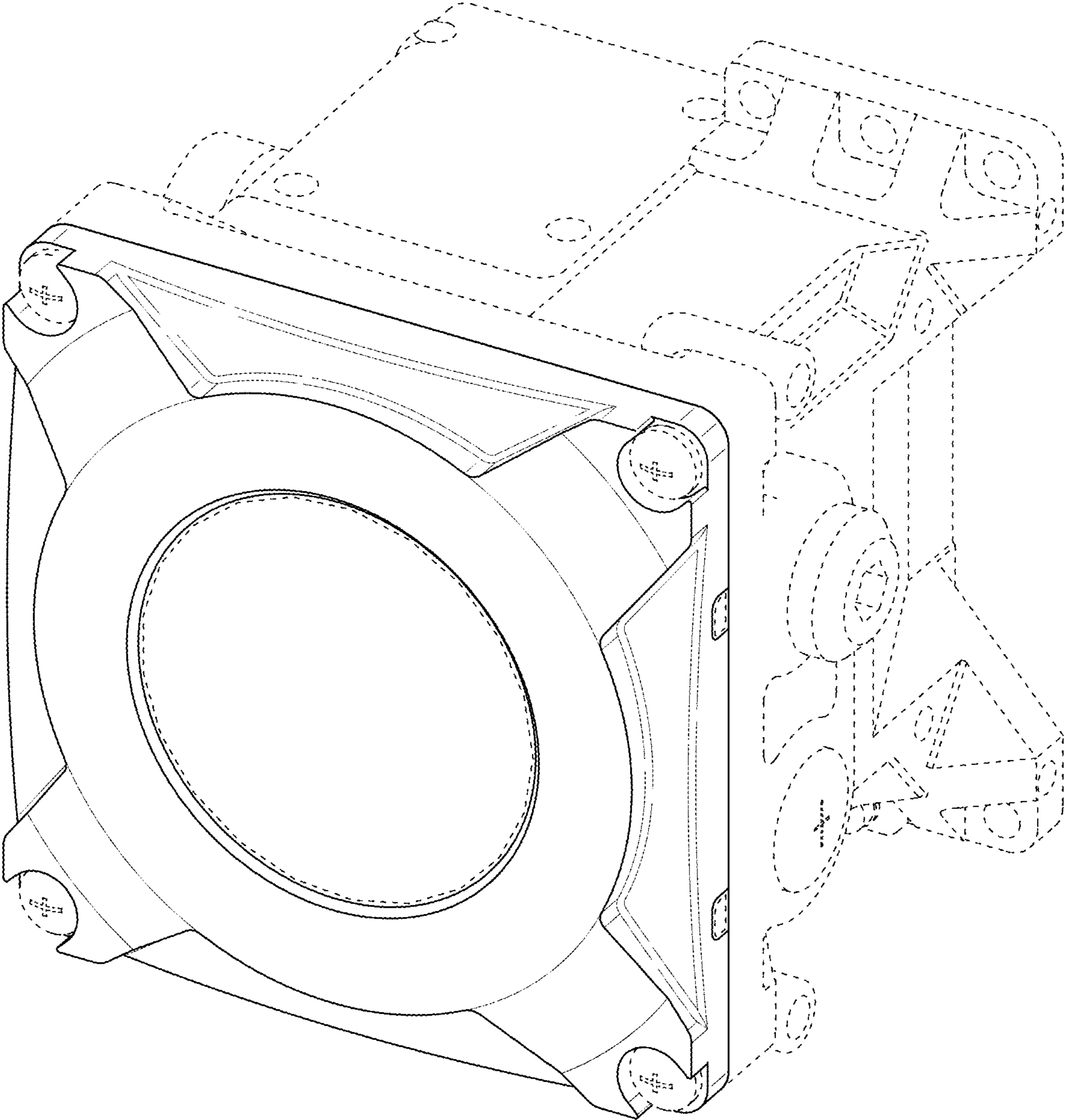


FIG. 1

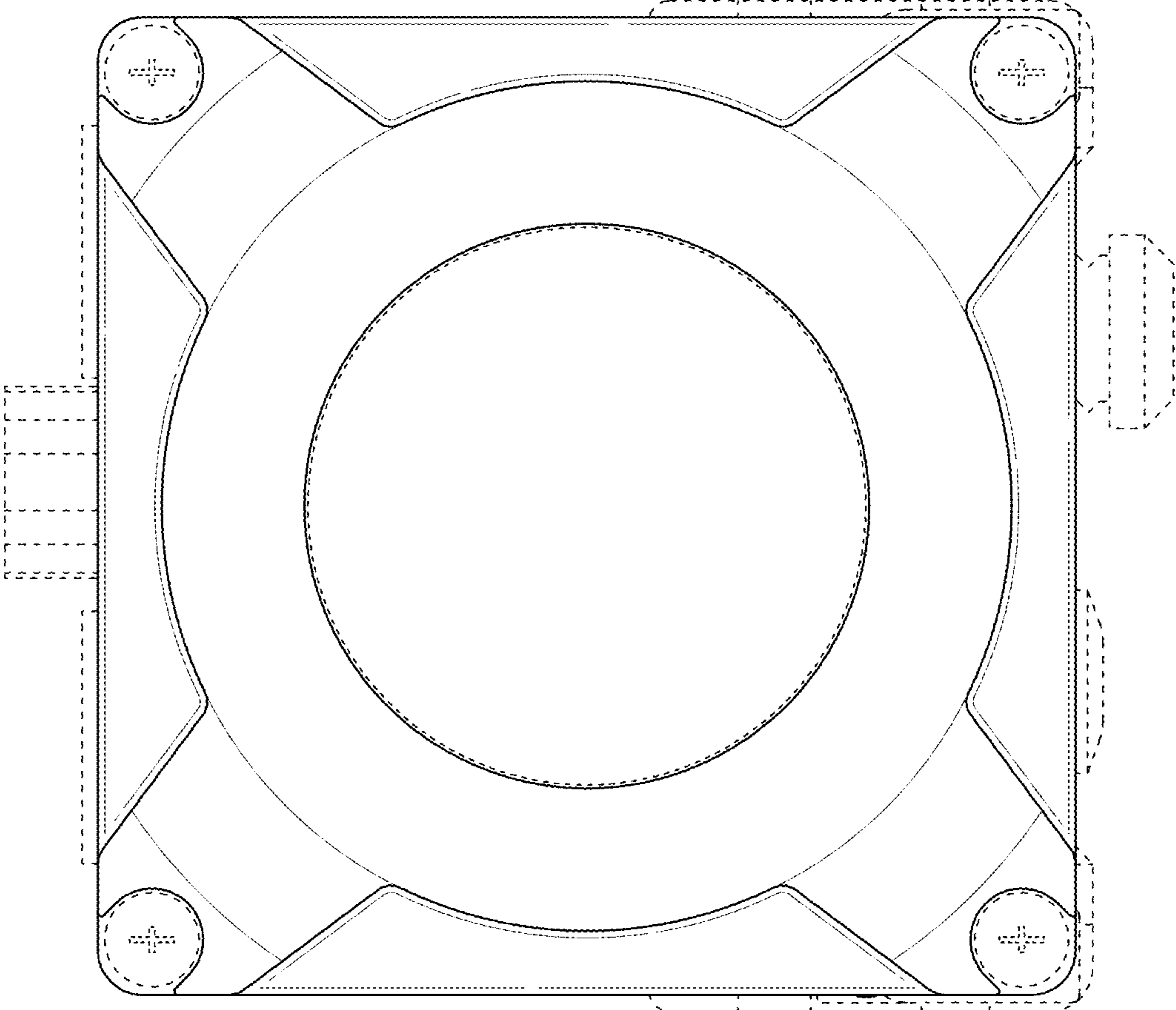


FIG. 2

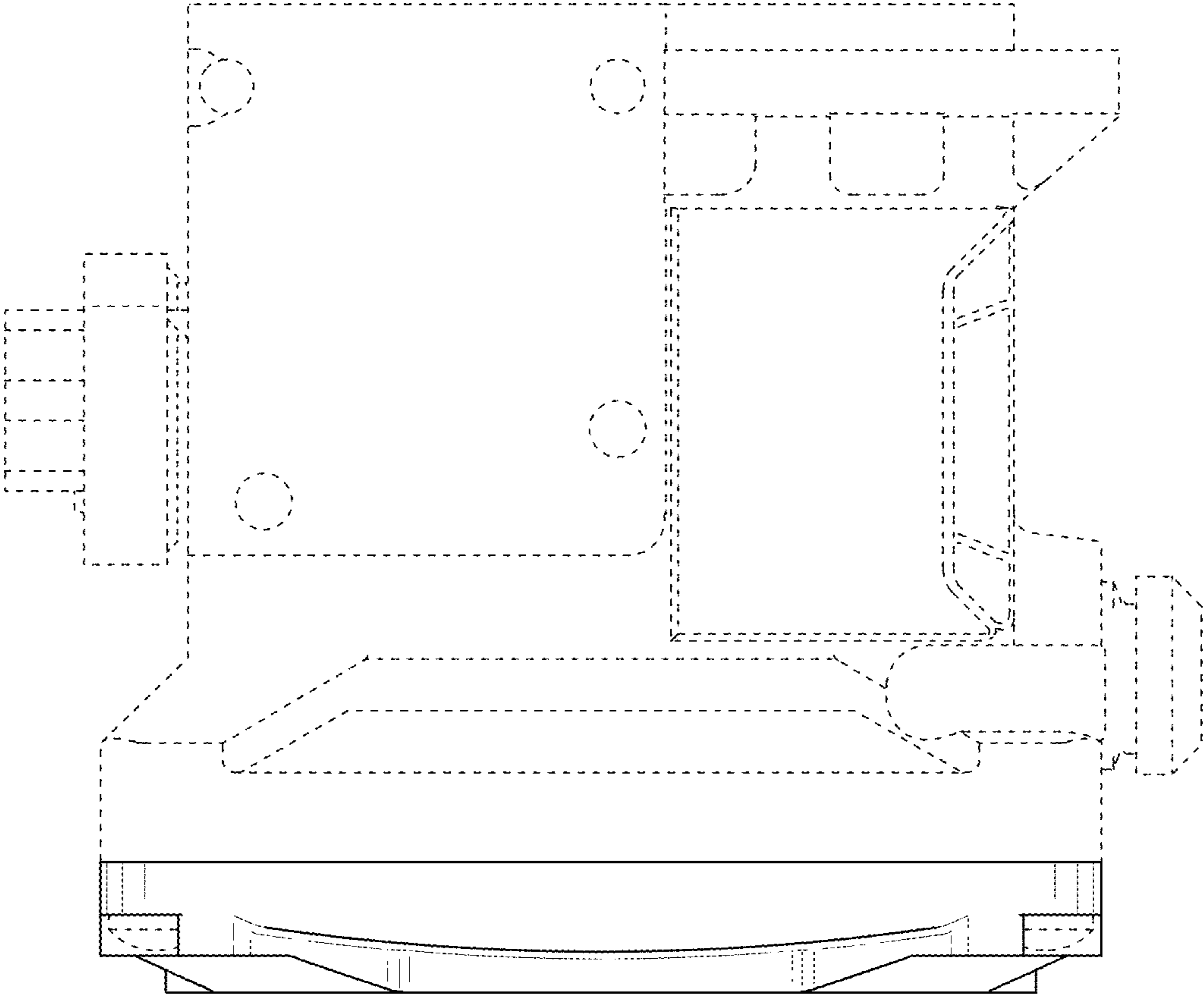


FIG. 3

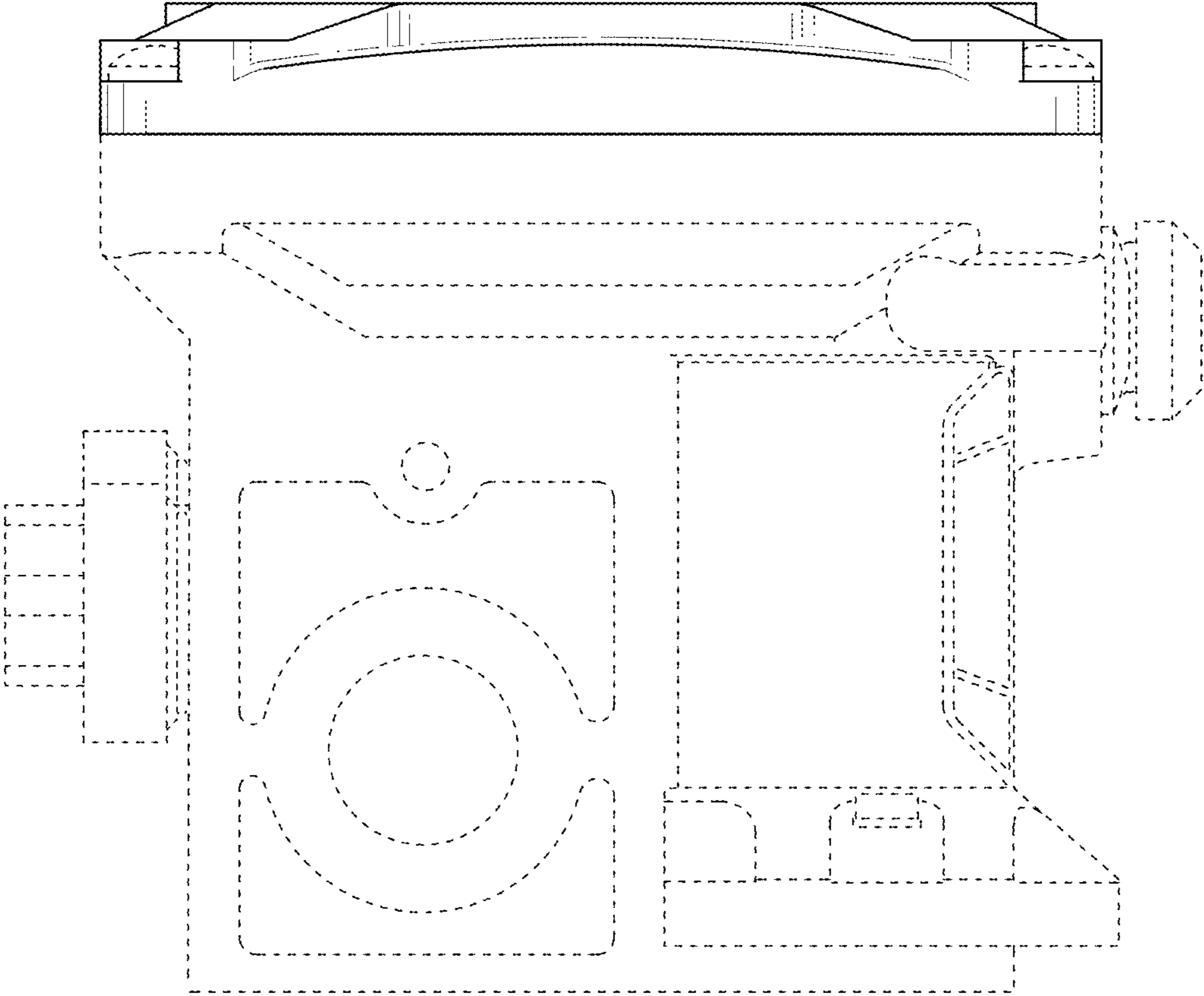


FIG. 4

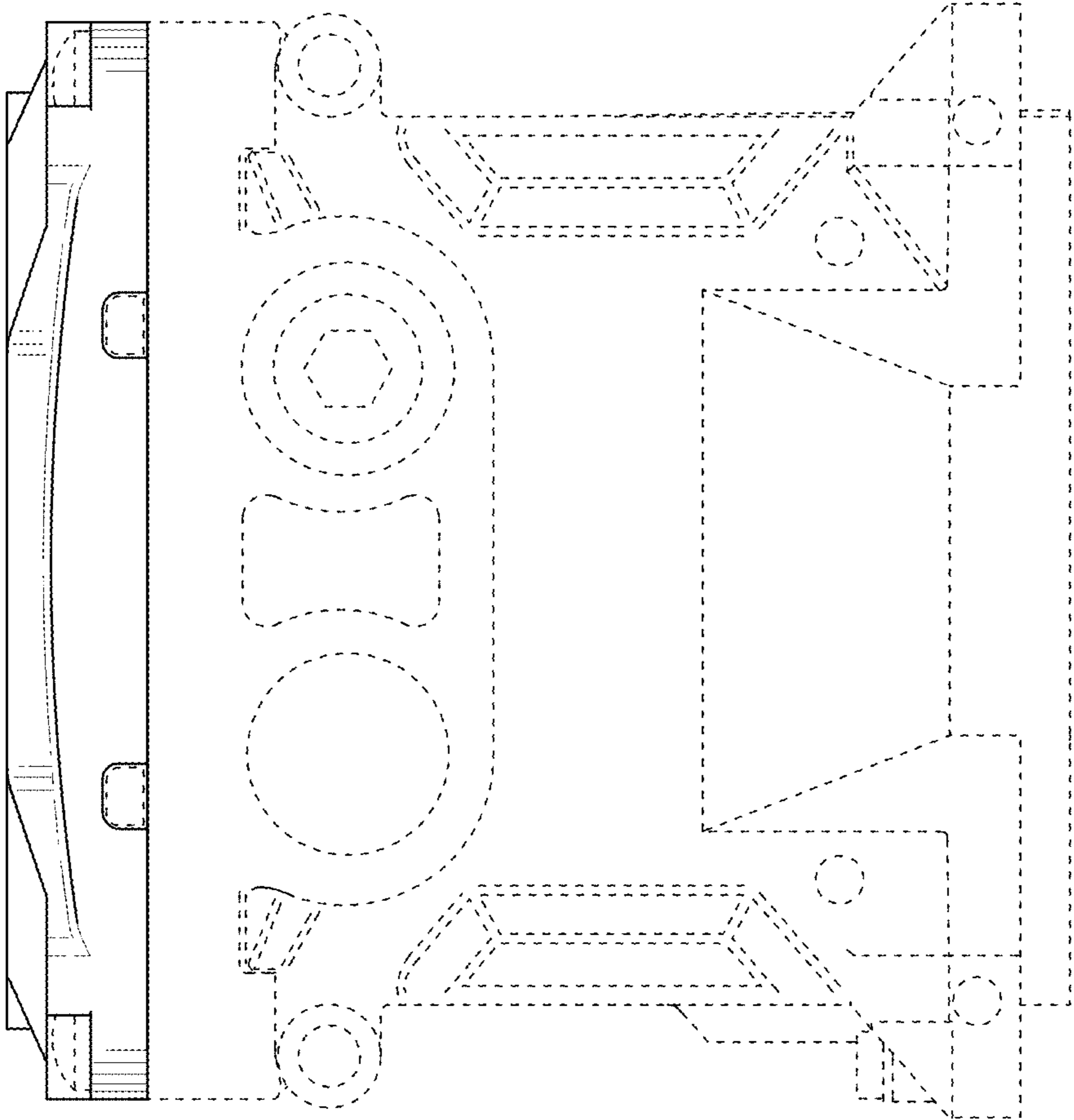


FIG. 5

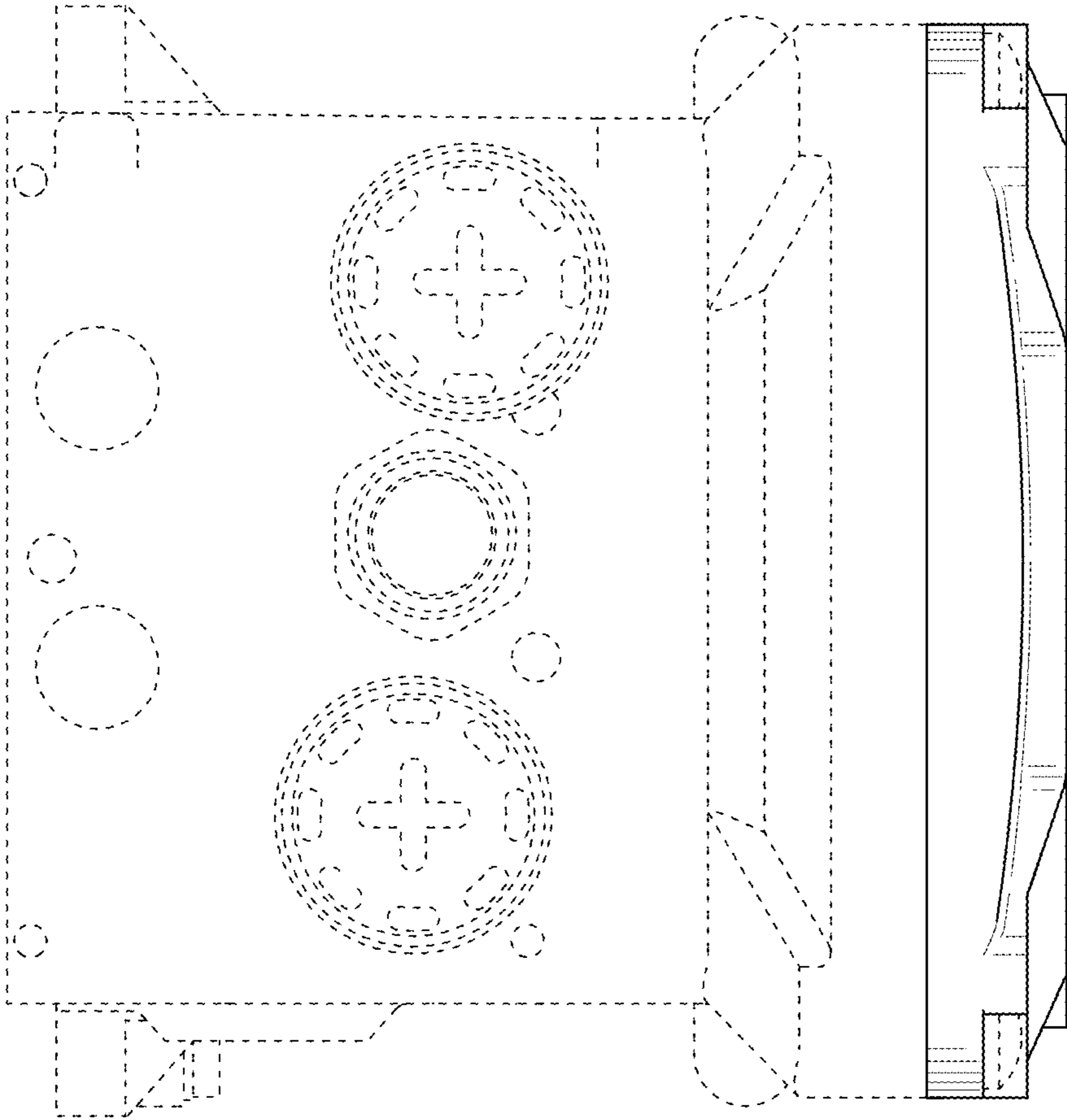


FIG. 6

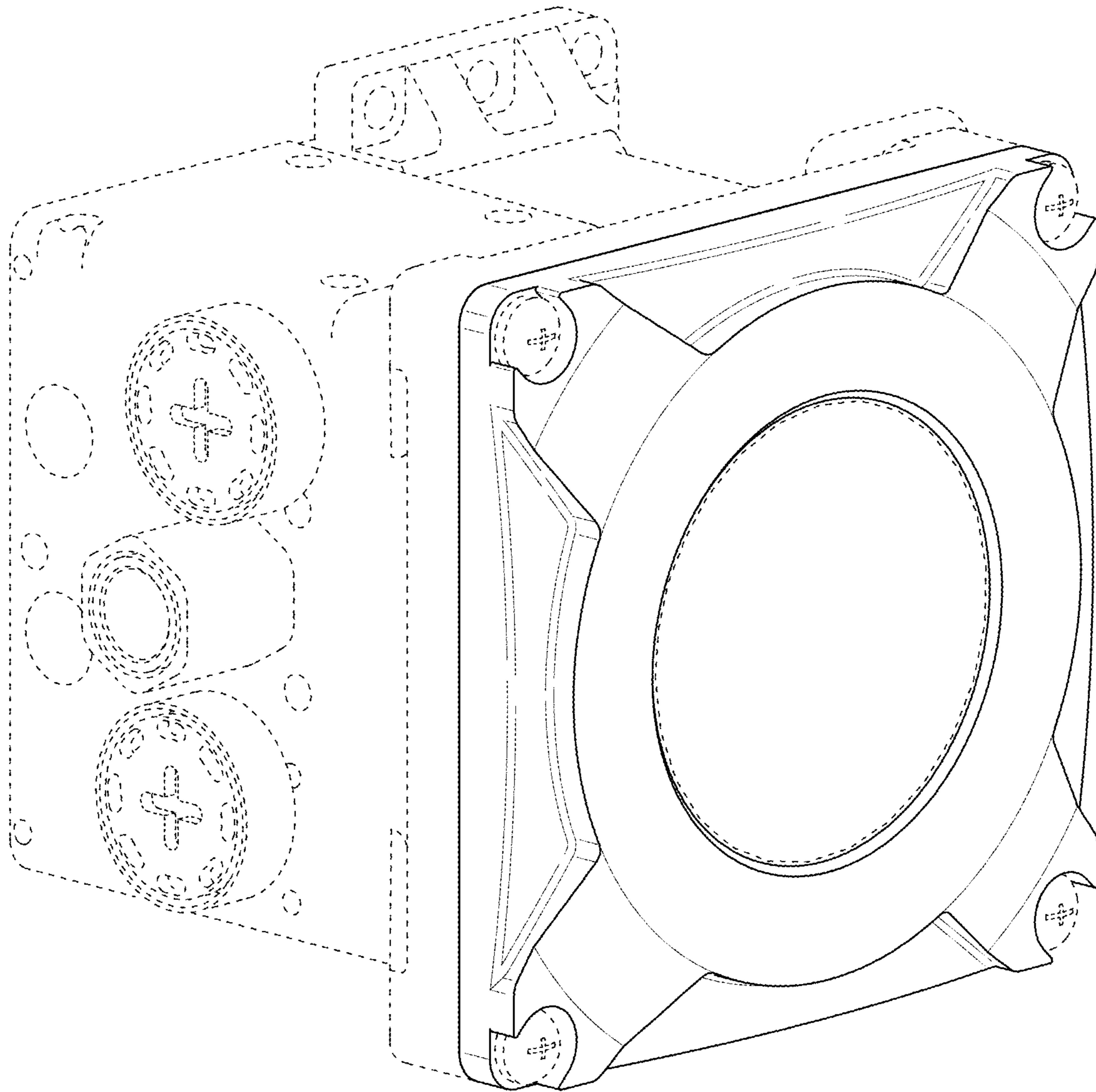


FIG. 7