



US00D903828S

(12) **United States Design Patent** (10) **Patent No.:** **US D903,828 S**
Leinonen et al. (45) **Date of Patent:** **** Dec. 1, 2020**

(54) **VALVE CONTROLLER**

(71) Applicant: **METSO FLOW CONTROL OY**,
Vantaa (FI)

(72) Inventors: **Samuel Leinonen**, Vantaa (FI); **Ville Wuorinen**, Helsinki (FI)

(73) Assignee: **METSO FLOW CONTROL OY**,
Vantaa (FI)

(**) Term: **15 Years**

(21) Appl. No.: **29/702,376**

(22) Filed: **Aug. 19, 2019**

(30) **Foreign Application Priority Data**

Feb. 19, 2019 (EM) 006260865

(51) **LOC (12) Cl.** **23-01**

(52) **U.S. Cl.**
USPC **D23/249**

(58) **Field of Classification Search**
USPC D23/233, 235, 237, 241–249, 257;
251/129.15, 30.01, 214, 330, 306, 363;
137/487.5, 624.11, 625.64, 486, 551,
137/565.15, 596.12
CPC .. F16K 31/007; F16K 31/042; F16K 31/0675;
F16K 99/0042; F16K 31/02; F16K
5/0652; F16K 31/124; F16K 31/004;
F16K 27/048

See application file for complete search history.

(56) **References Cited**

U.S. PATENT DOCUMENTS

D318,519 S *	7/1991	Kuivila	D23/245
D791,918 S *	7/2017	Anundi	D23/237
D805,603 S *	12/2017	Hauth	D23/233
D844,754 S *	4/2019	Leinonen	D23/249
D872,839 S *	1/2020	Leinonen	D23/249

* cited by examiner

Primary Examiner — Gino Colan

(74) *Attorney, Agent, or Firm* — Oliff PLC

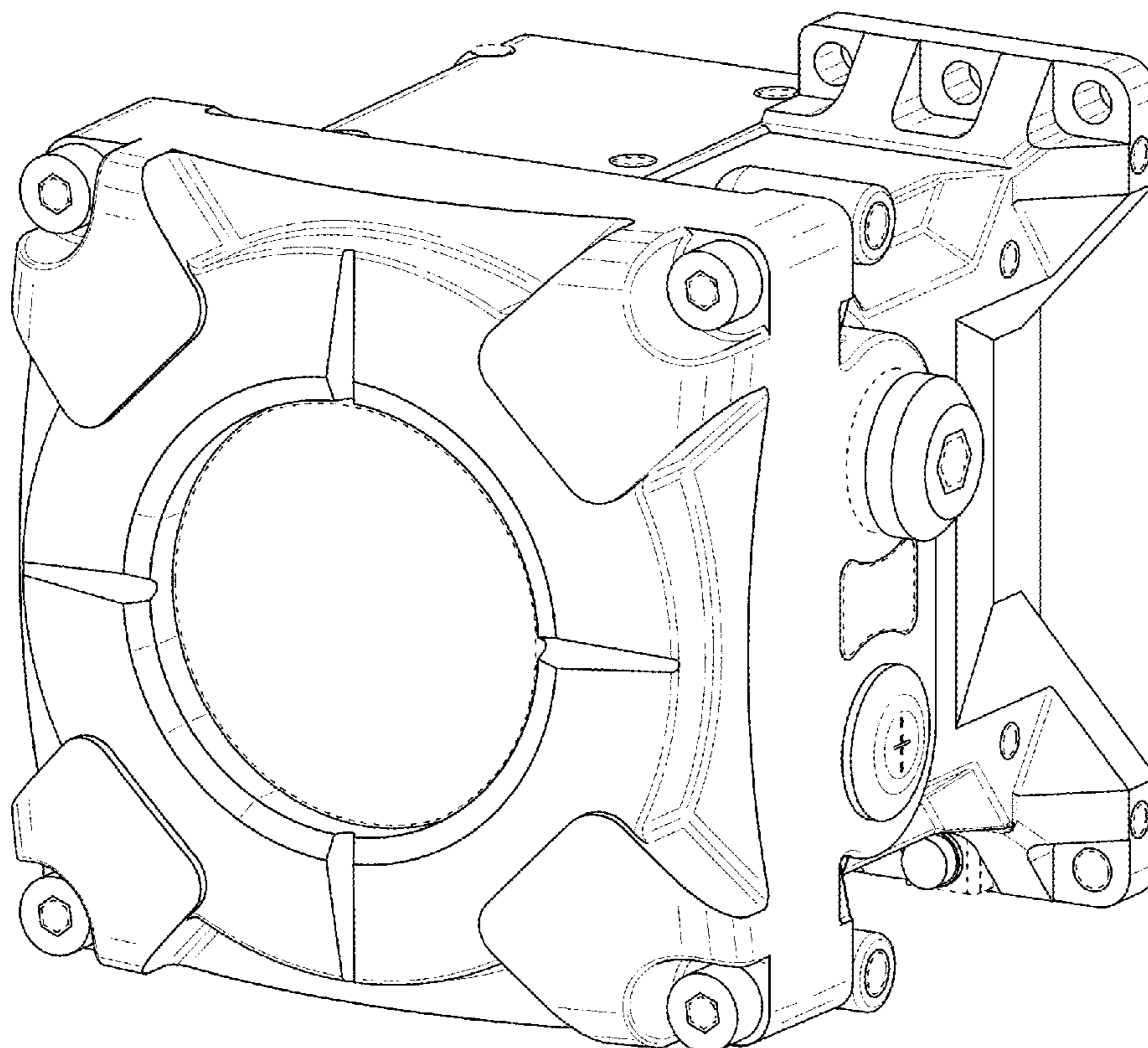
(57) **CLAIM**

The ornamental design for a valve controller, as shown and described.

DESCRIPTION

FIG. 1 is a front, right-side, top perspective view of the valve controller;
FIG. 2 is a front elevational view thereof;
FIG. 3 is a top plan view thereof;
FIG. 4 is a bottom plan view thereof;
FIG. 5 is a right-side elevational view thereof;
FIG. 6 is a left-side elevational view thereof; and,
FIG. 7 is a front, left-side, top perspective view thereof.
The broken lines depict parts of the valve controller that form no part of the claimed design.

1 Claim, 7 Drawing Sheets



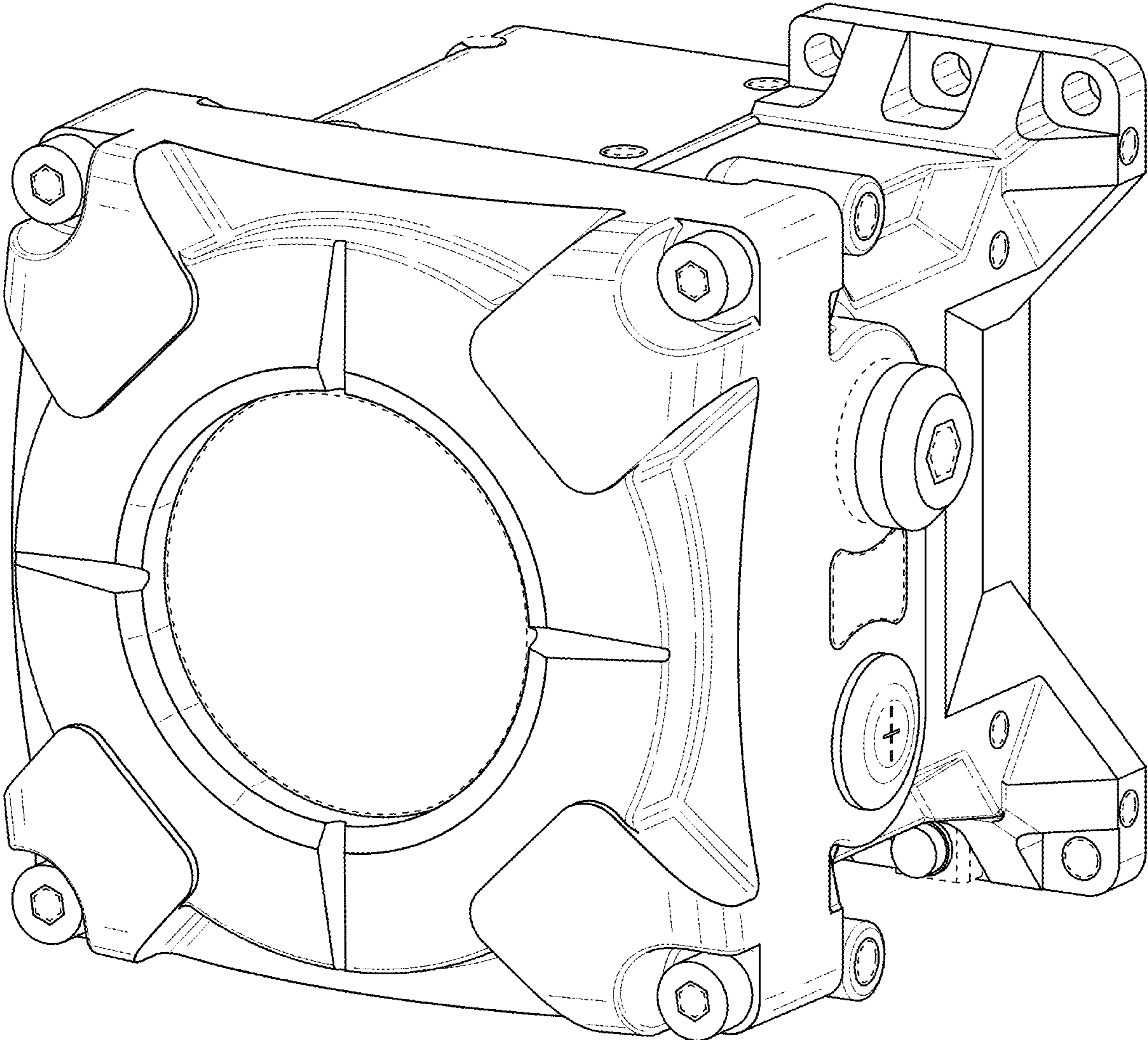


FIG. 1

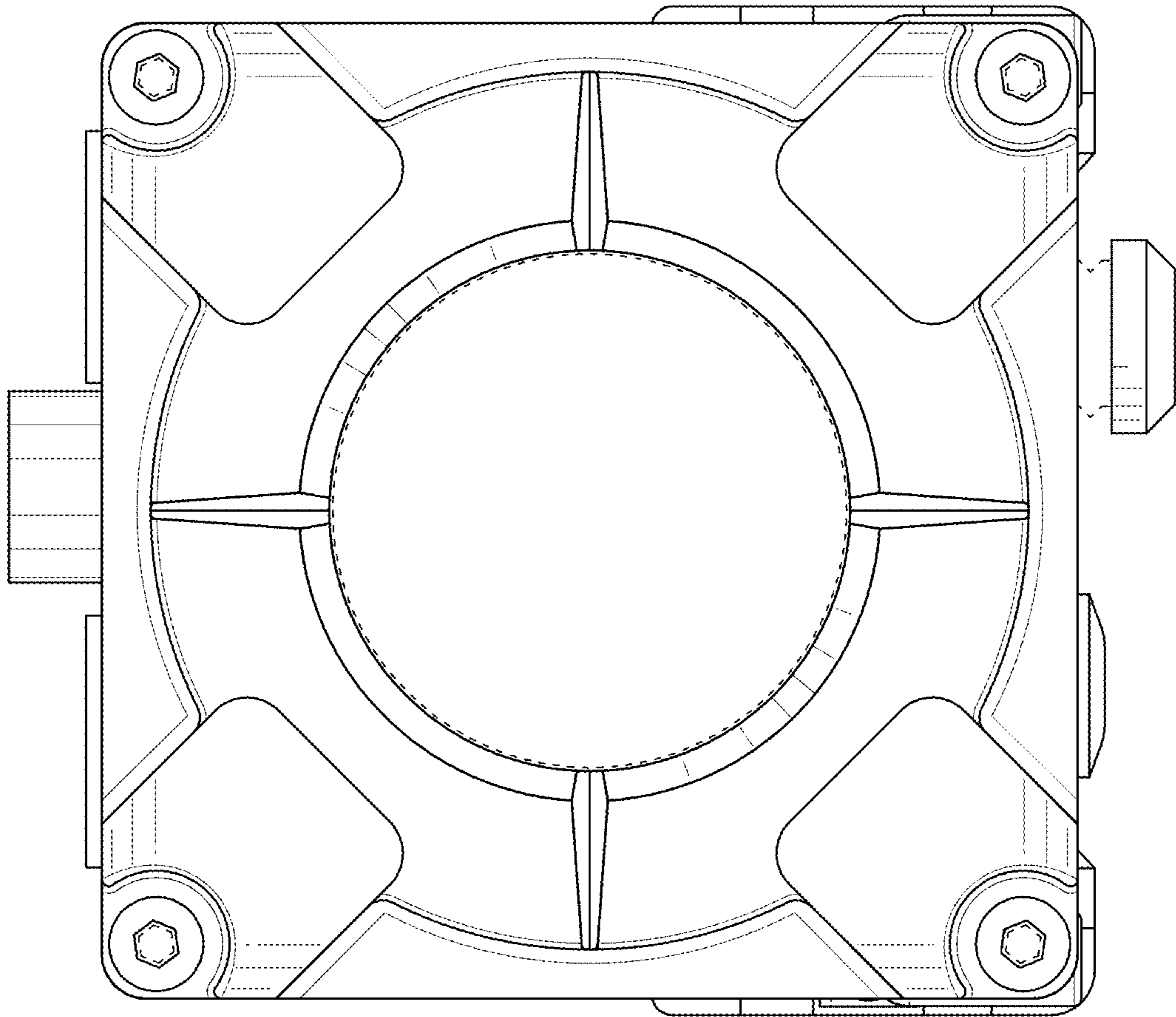


FIG. 2

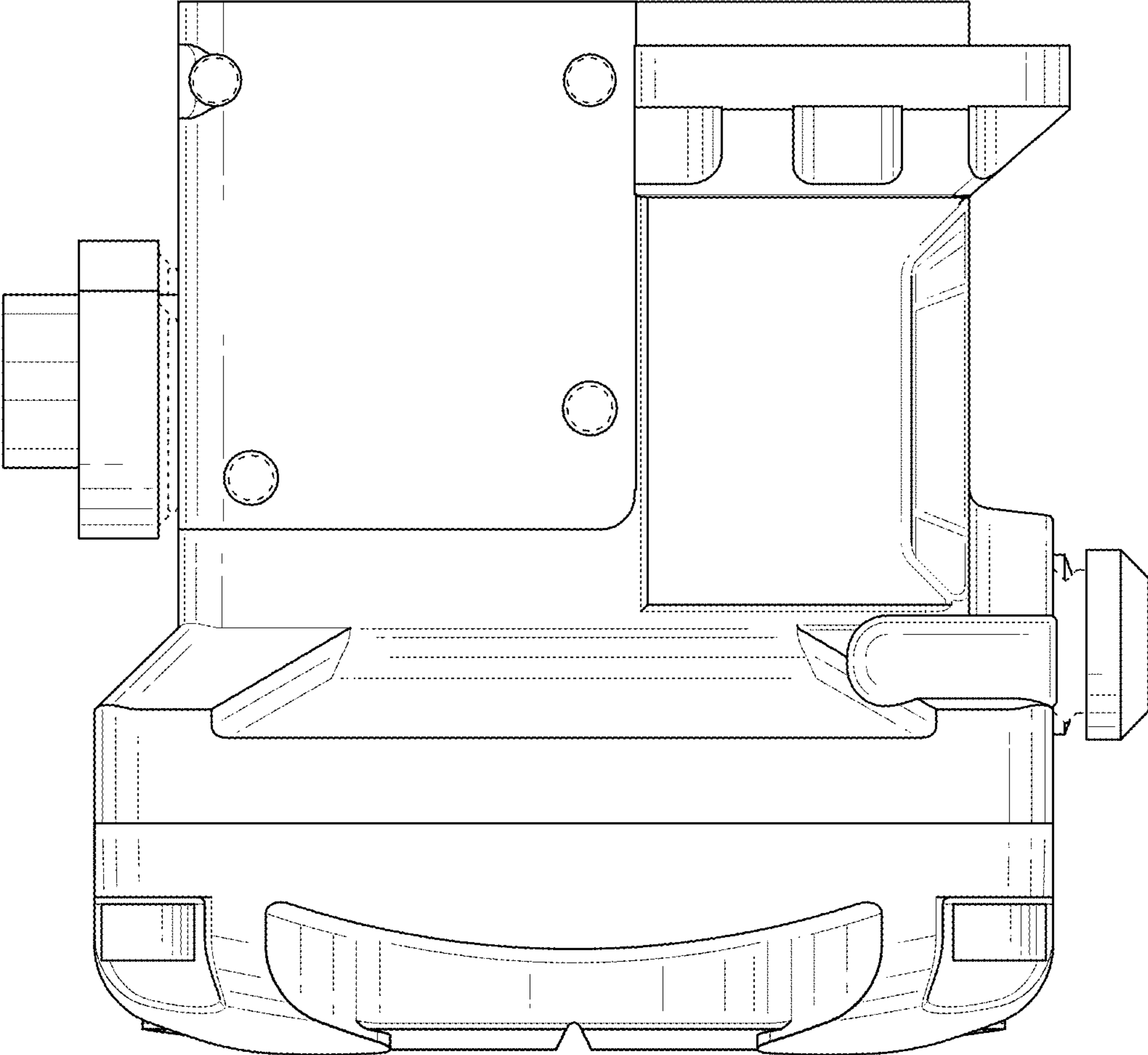


FIG. 3

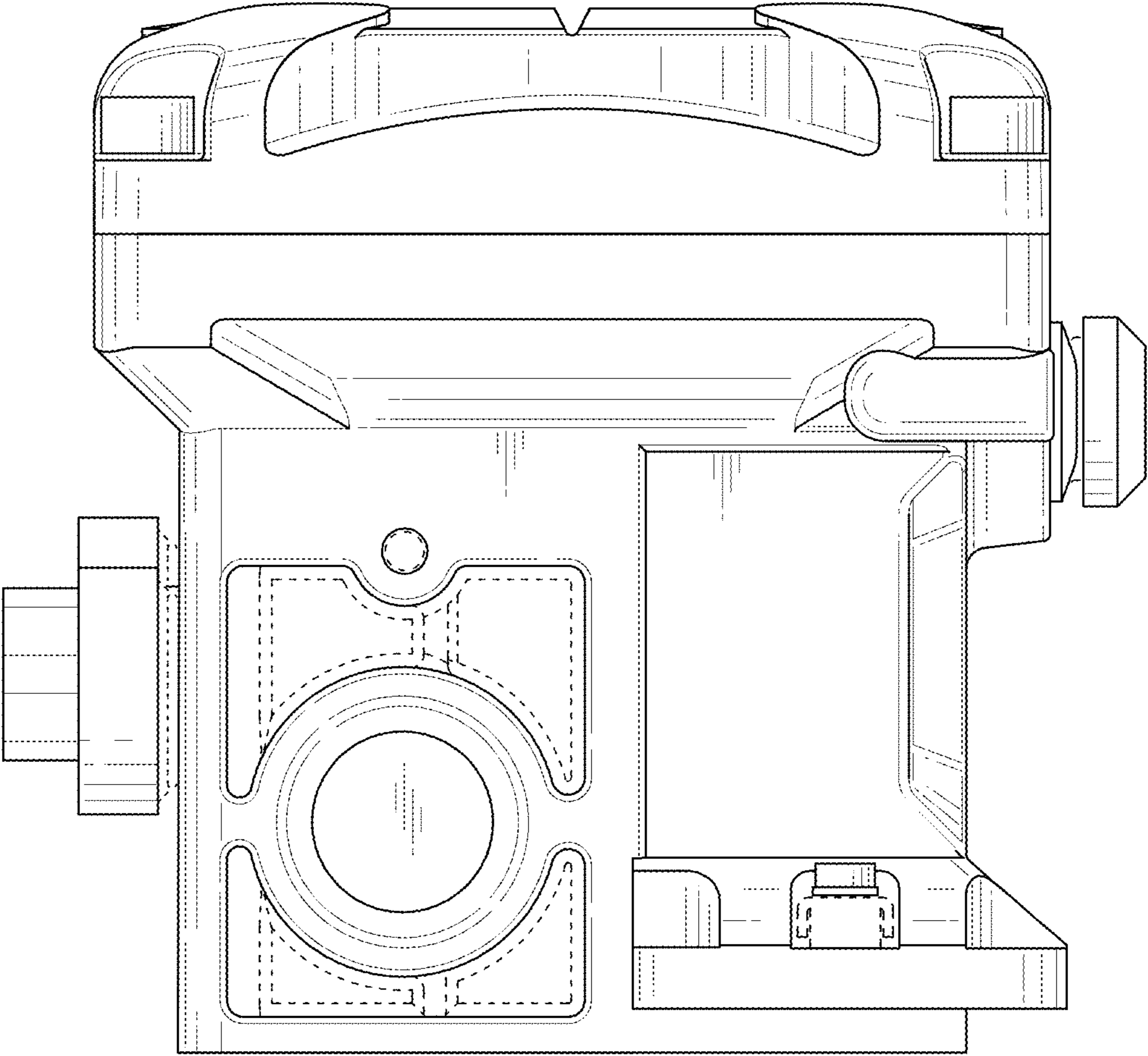


FIG. 4

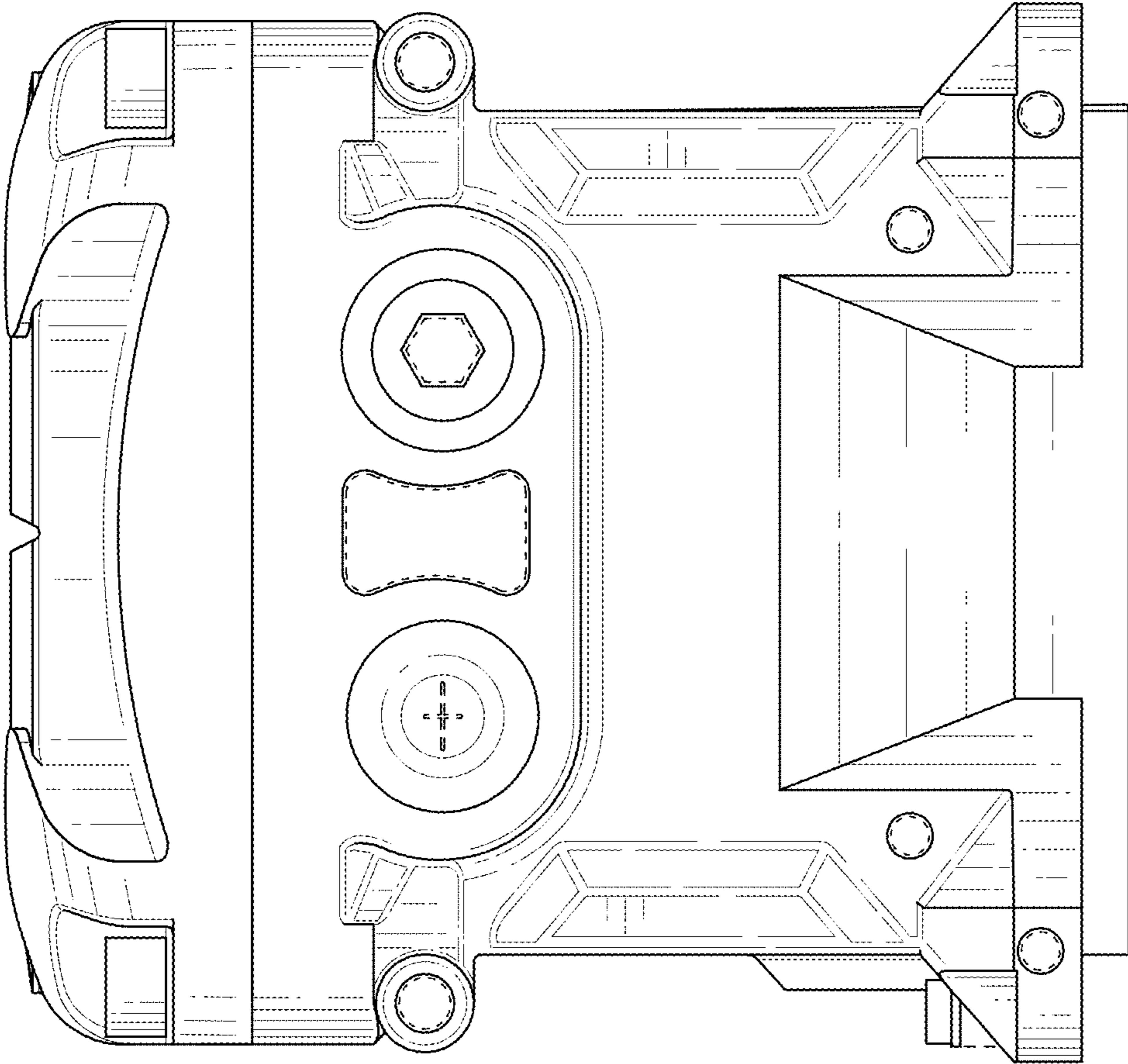


FIG. 5

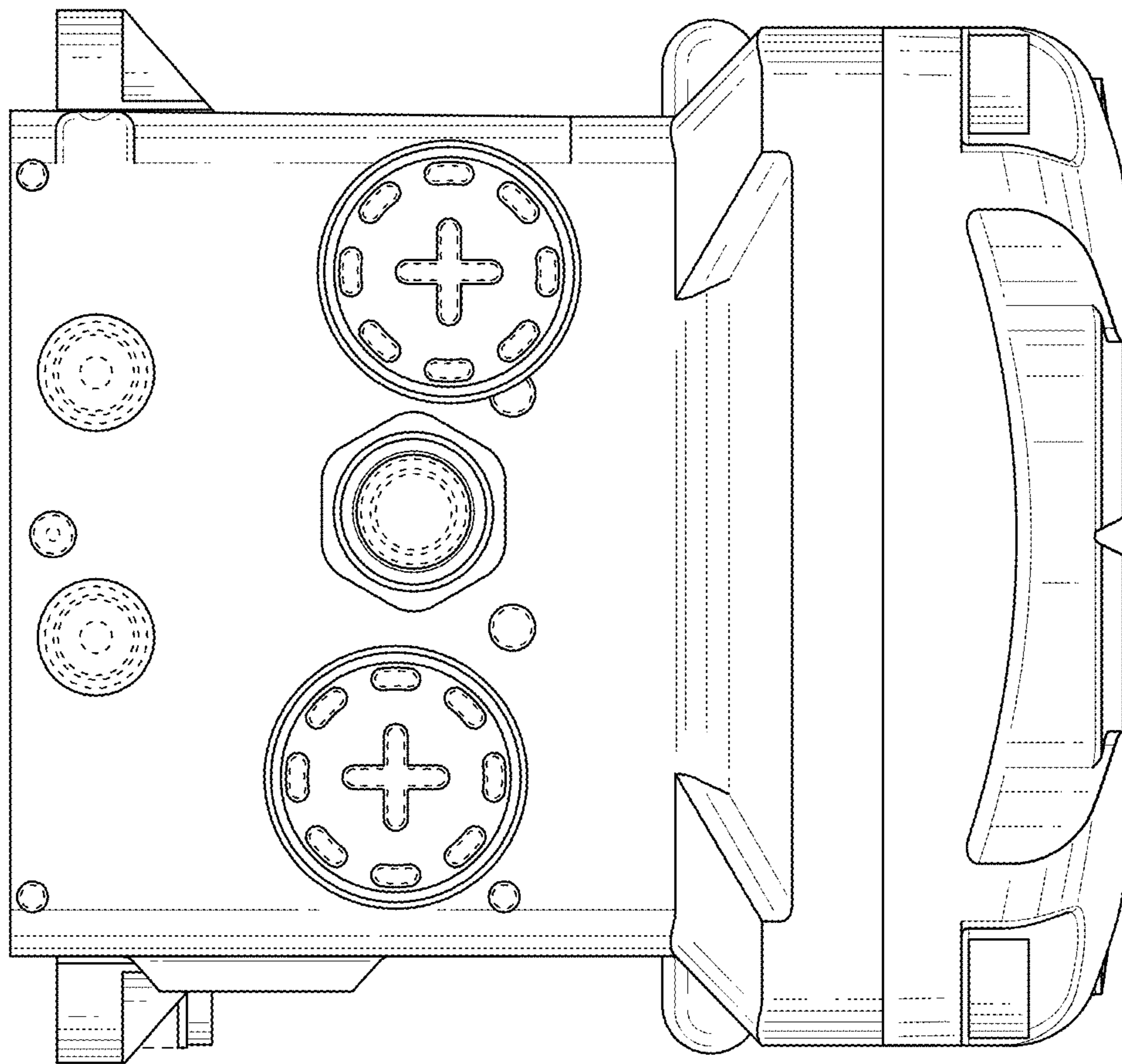


FIG. 6

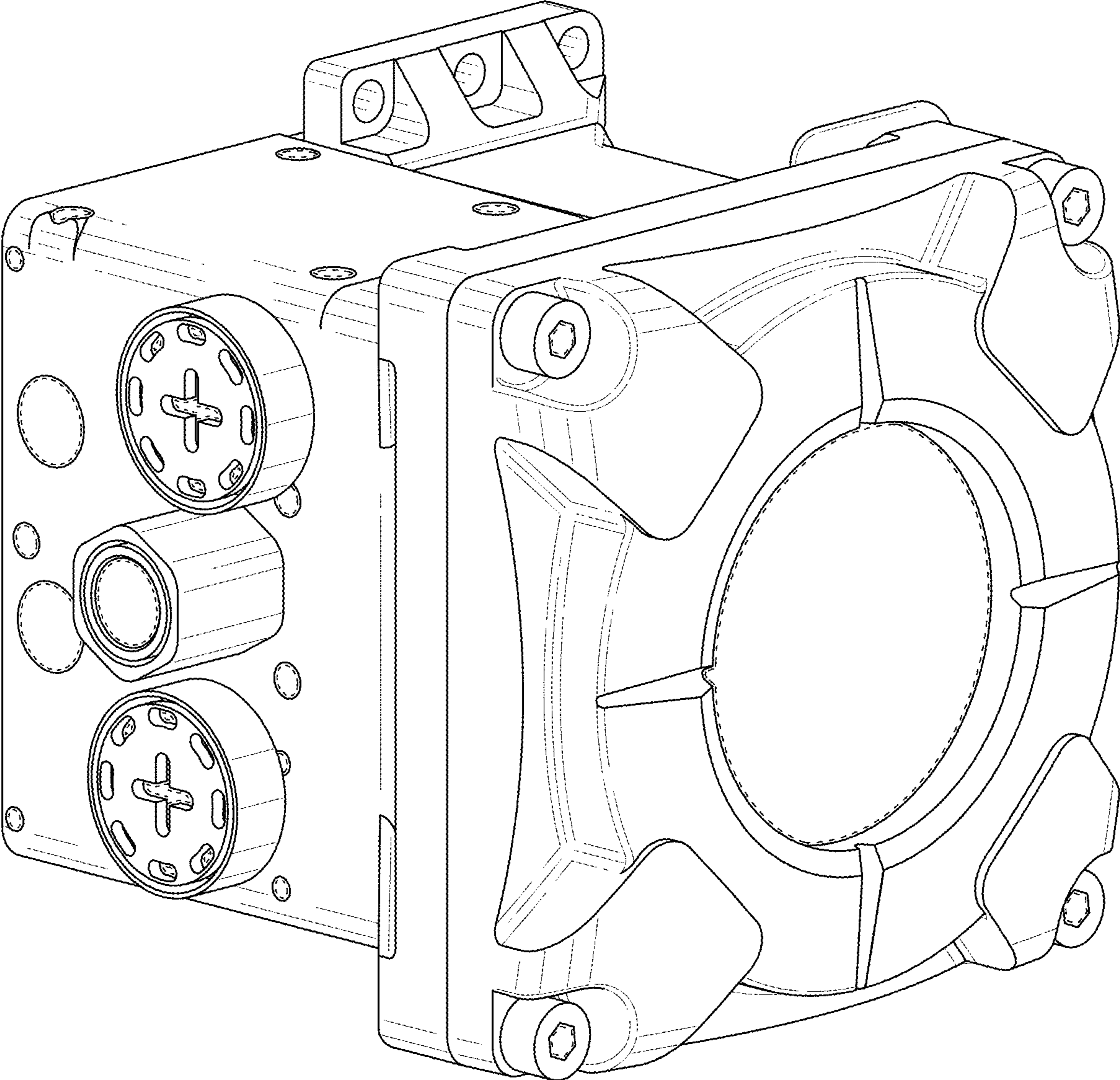


FIG. 7