



US00D903827S

(12) **United States Design Patent** (10) **Patent No.:** **US D903,827 S**  
**Leinonen et al.** (45) **Date of Patent:** **\*\* Dec. 1, 2020**

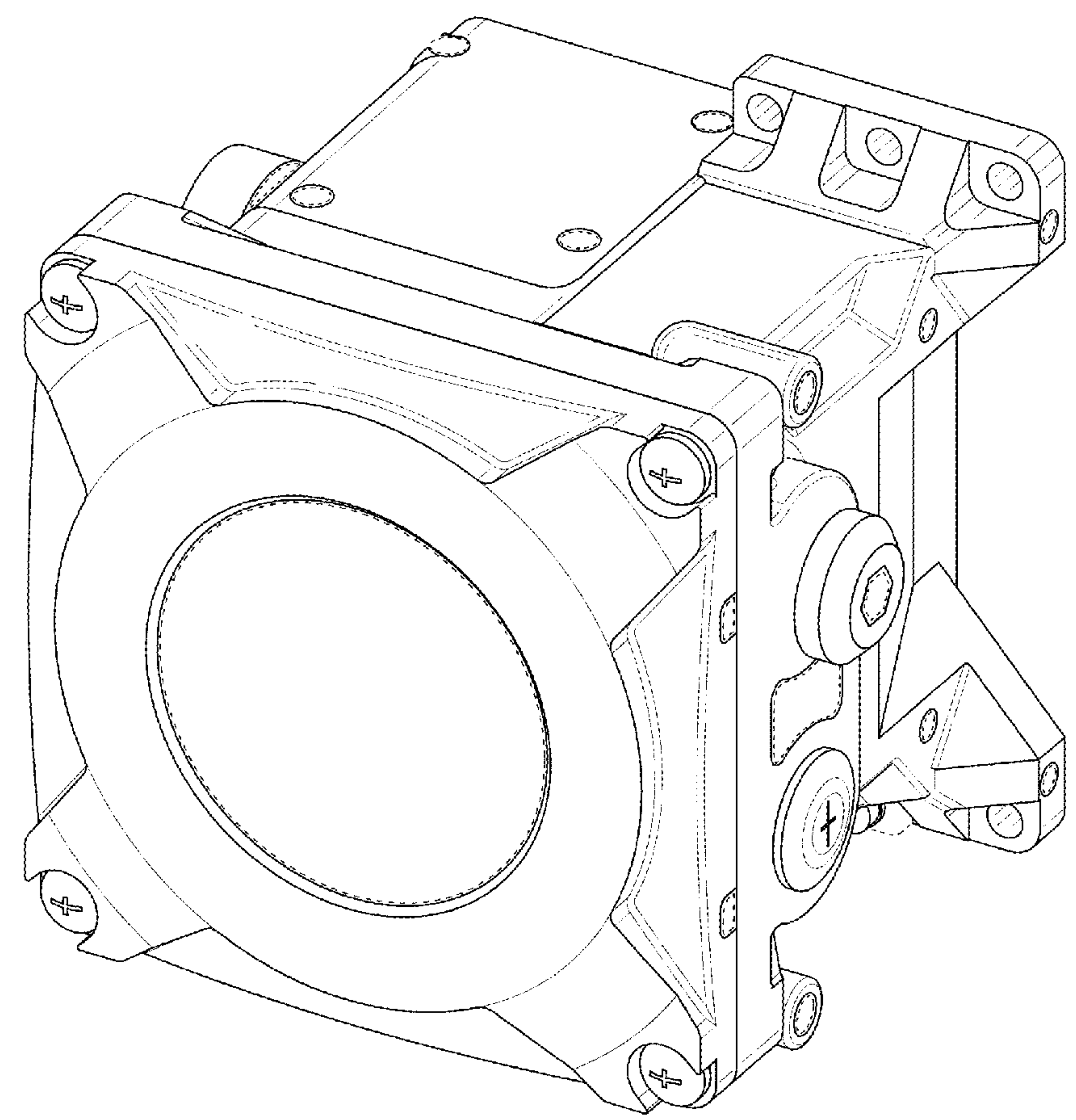
(54) **VALVE CONTROLLER**  
(71) Applicant: **METSO FLOW CONTROL OY**,  
Vantaa (FI)  
(72) Inventors: **Samuel Leinonen**, Vantaa (FI); **Ville Wuorinen**, Helsinki (FI)  
(73) Assignee: **METSO FLOW CONTROL OY**,  
Vantaa (FI)  
(\*\*) Term: **15 Years**  
(21) Appl. No.: **29/702,374**  
(22) Filed: **Aug. 19, 2019**  
(30) **Foreign Application Priority Data**  
Feb. 19, 2019 (EM) ..... 006260865  
(51) **LOC (12) Cl.** ..... **23-01**  
(52) **U.S. Cl.**  
USPC ..... **D23/249**  
(58) **Field of Classification Search**  
USPC ..... D23/233, 235, 237, 241-249, 257;  
137/487.5, 486, 551, 565.15, 596.12;  
251/214, 330, 306, 363  
CPC ..... F16K 31/124; F16K 31/004; F16K 27/048  
See application file for complete search history.

(56) **References Cited**  
U.S. PATENT DOCUMENTS  
D318,519 S \* 7/1991 Kuivila ..... D23/245  
D791,918 S \* 7/2017 Anundi ..... D23/237  
D805,603 S \* 12/2017 Hauth ..... D23/233  
D844,754 S \* 4/2019 Leinonen ..... D23/249  
D872,839 S \* 1/2020 Leinonen ..... D23/249  
\* cited by examiner  
*Primary Examiner* — Gino Colan  
(74) *Attorney, Agent, or Firm* — Oliff PLC

(57) **CLAIM**  
The ornamental design for a valve controller, as shown and described.

**DESCRIPTION**  
FIG. 1 is a front, right-side, top perspective view of the valve controller;  
FIG. 2 is a front elevational view thereof;  
FIG. 3 is a top plan view thereof;  
FIG. 4 is a bottom plan view thereof;  
FIG. 5 is a right-side elevational view thereof;  
FIG. 6 is a left-side elevational view thereof; and,  
FIG. 7 is a front, left-side, top perspective view thereof.  
The broken lines depict parts of the valve controller that form no part of the claimed design.

**1 Claim, 7 Drawing Sheets**



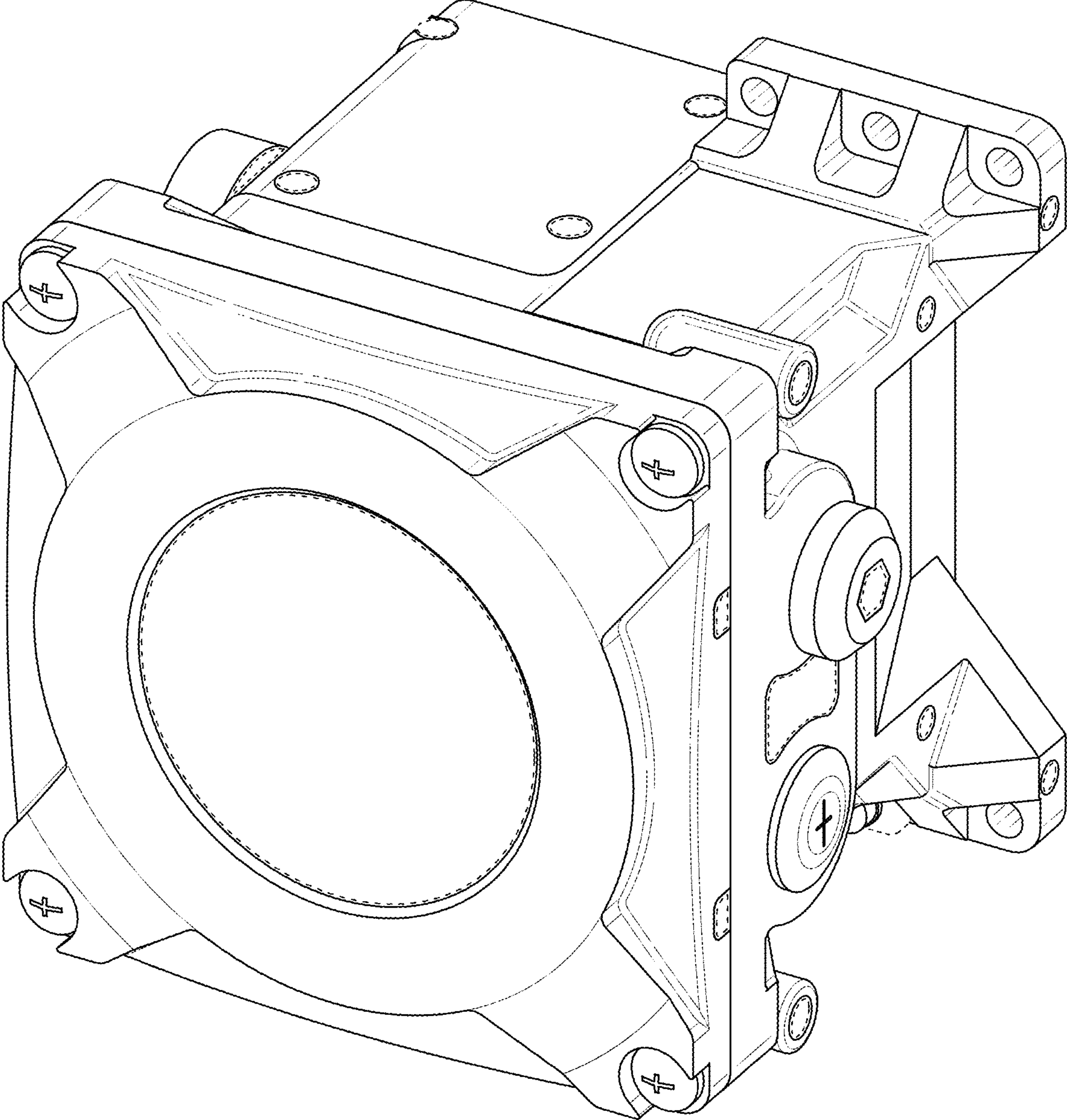


FIG. 1

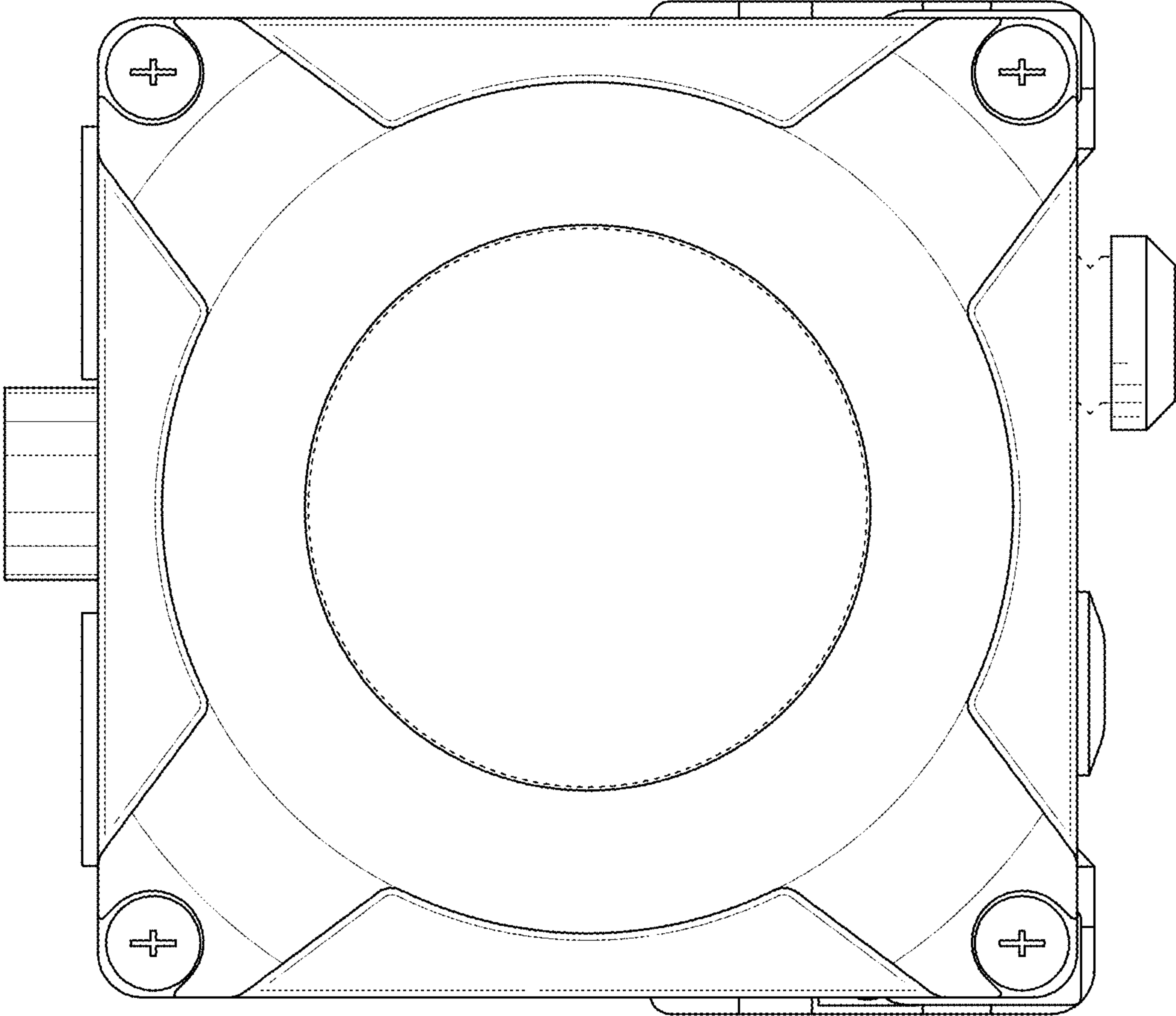


FIG. 2

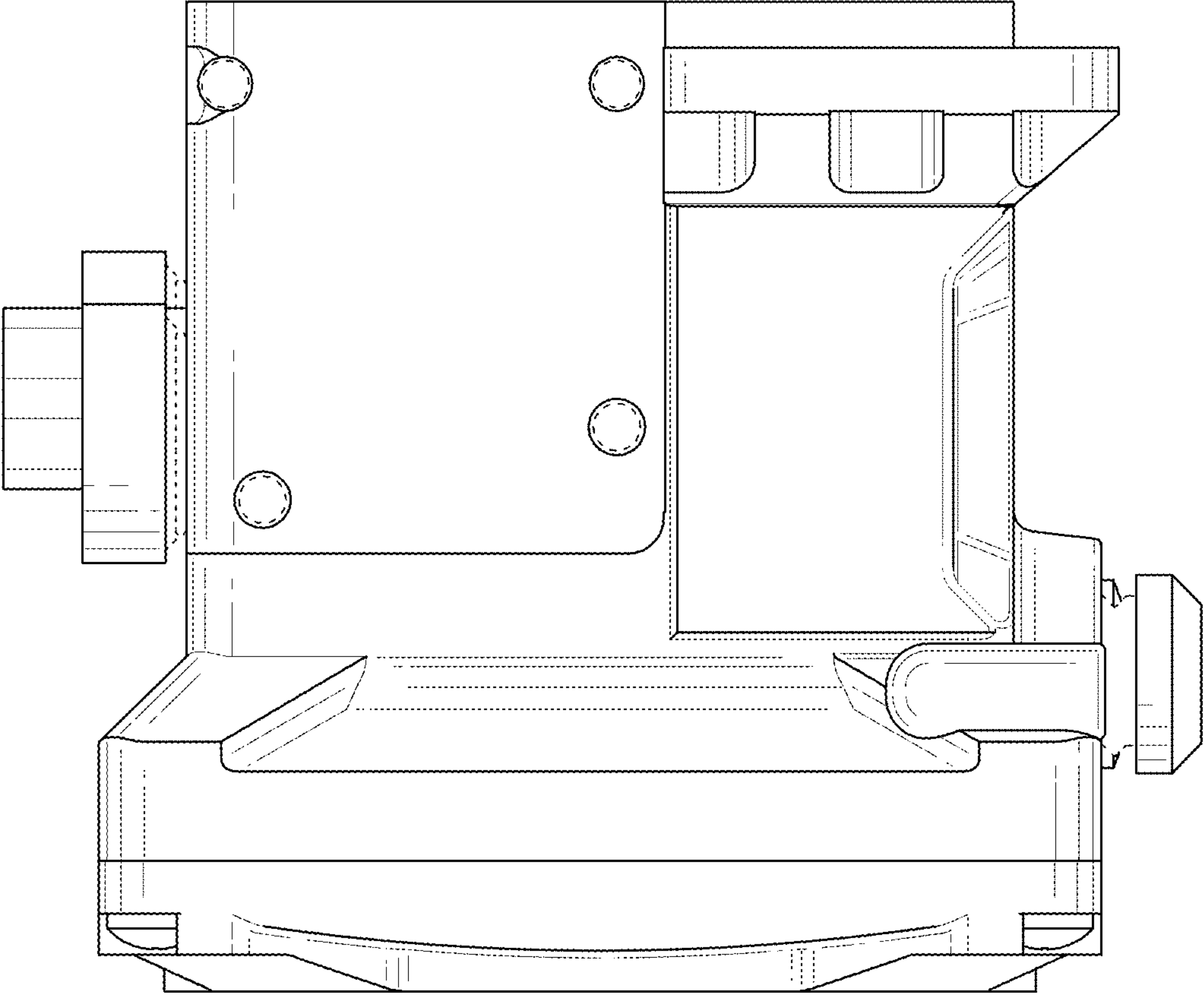


FIG. 3



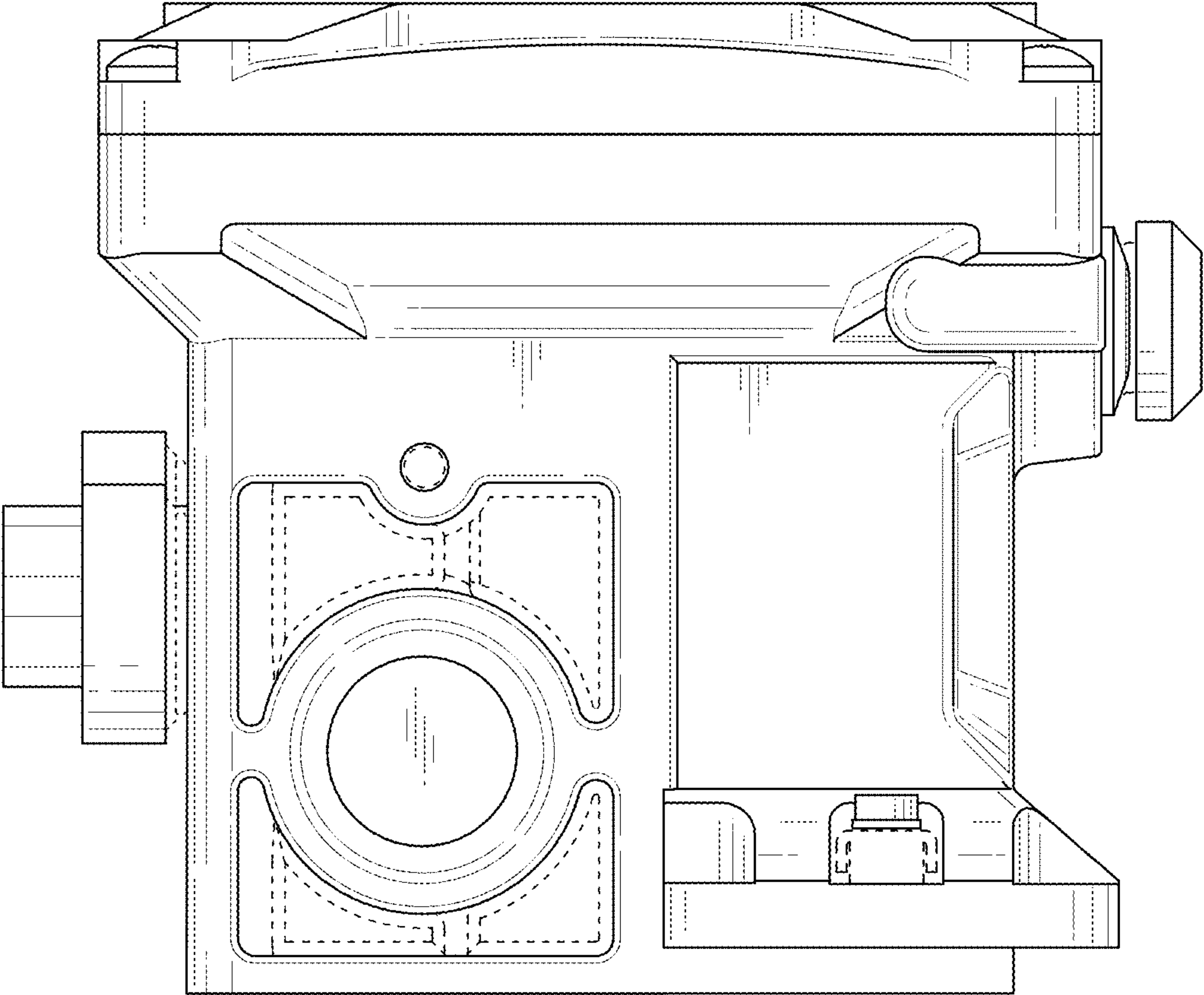


FIG. 4

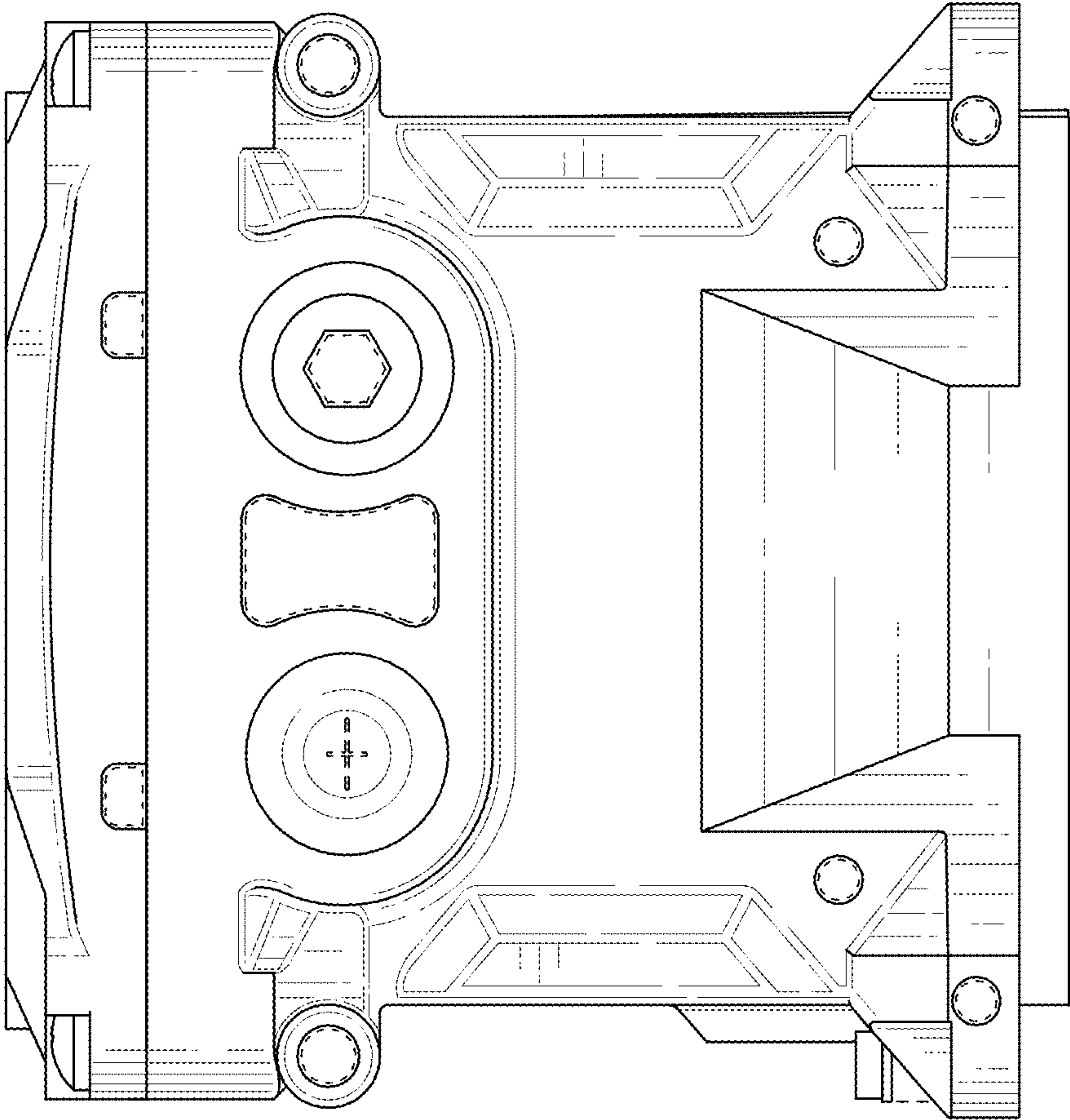


FIG. 5

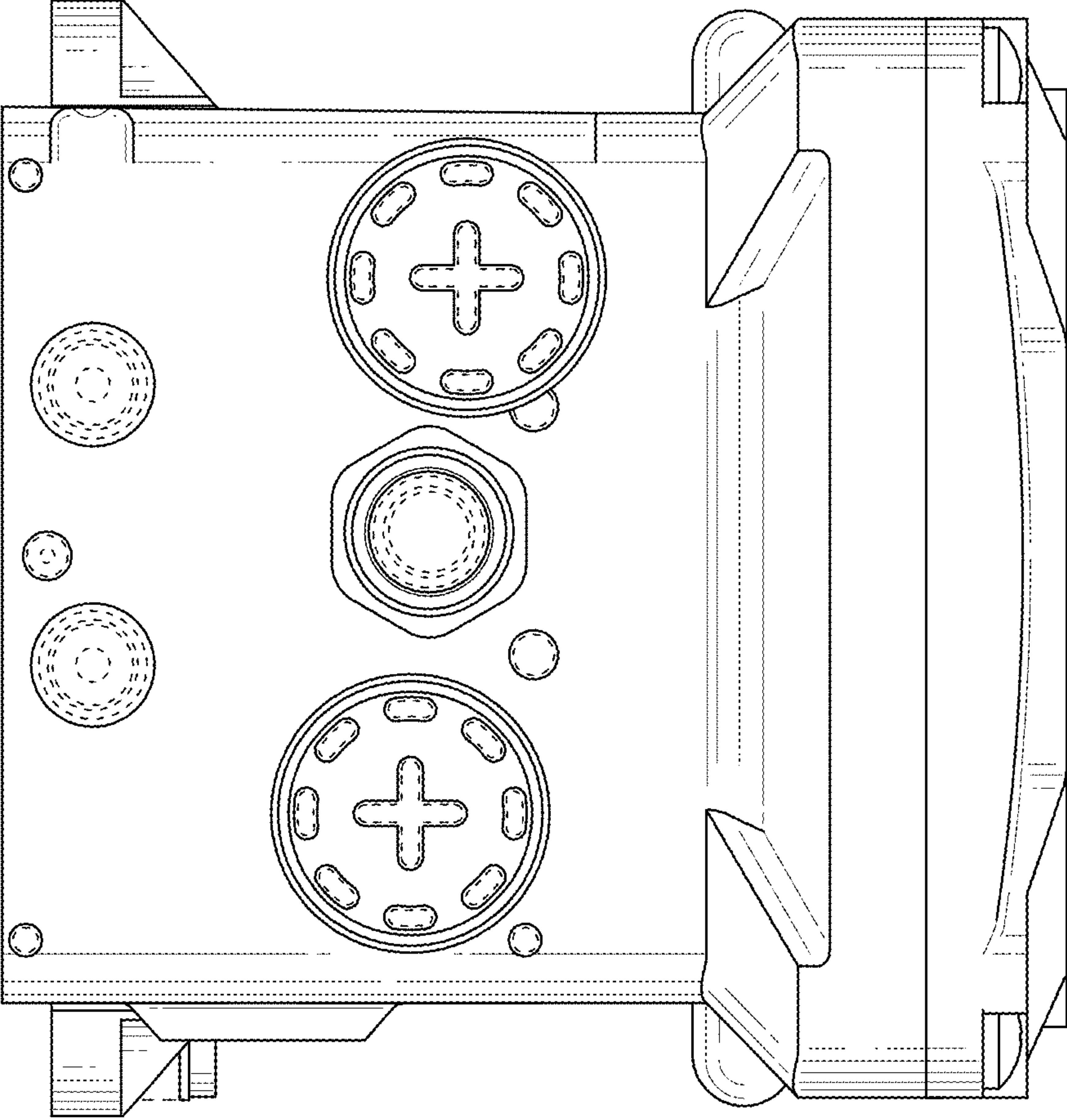


FIG. 6

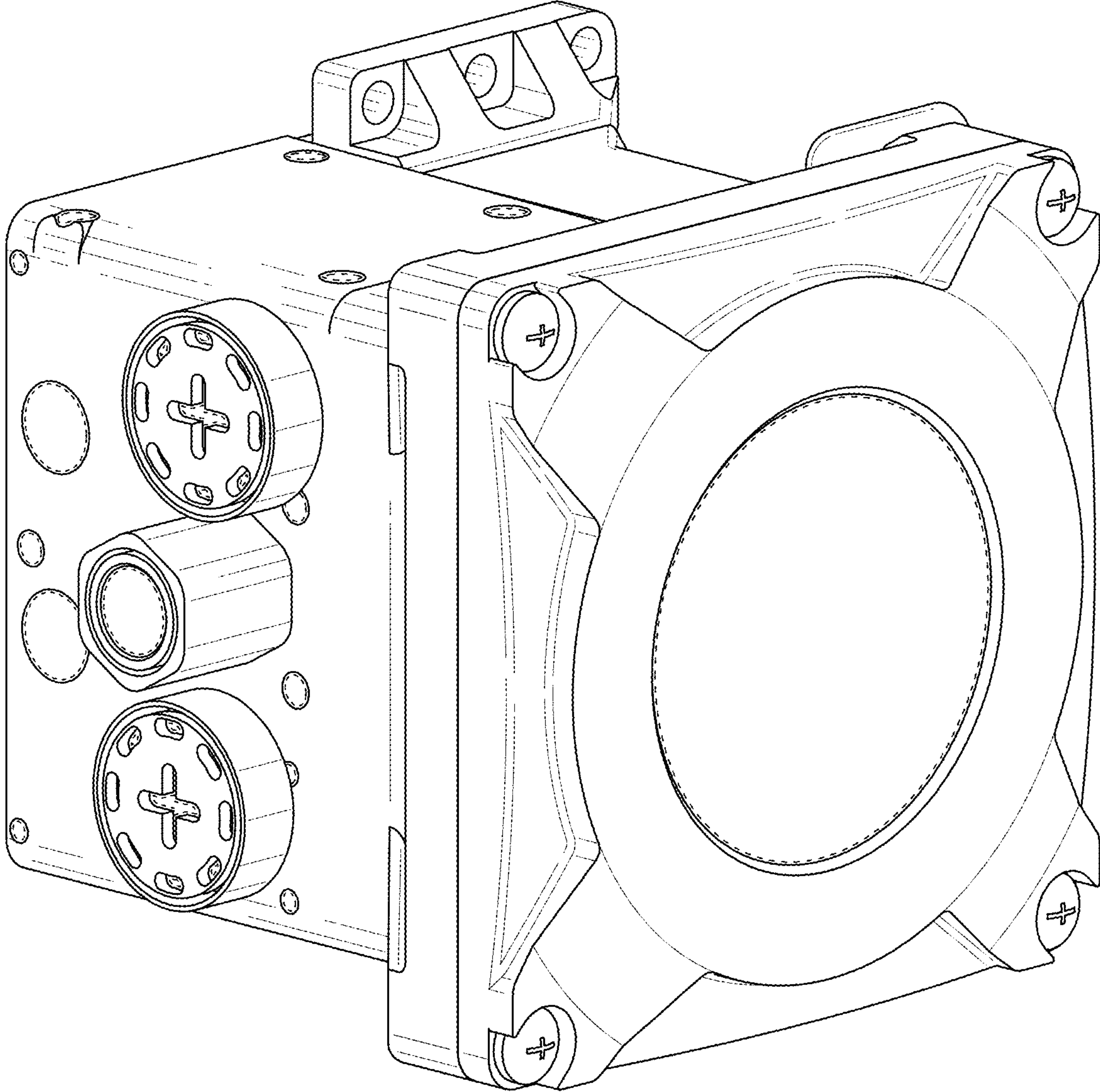


FIG. 7