



US00D903826S

(12) **United States Design Patent** (10) **Patent No.:** **US D903,826 S**  
**Zhang** (45) **Date of Patent:** **\*\* Dec. 1, 2020**

(54) **FAUCET HANDLE**

(71) Applicant: **Xinrui Zhang**, Kaiping (CN)

(72) Inventor: **Xinrui Zhang**, Kaiping (CN)

(\*\*) Term: **15 Years**

(21) Appl. No.: **29/748,303**

(22) Filed: **Aug. 28, 2020**

(51) **LOC (12) Cl.** ..... **23-01**

(52) **U.S. Cl.**  
USPC ..... **D23/238**

(58) **Field of Classification Search**  
USPC ..... D23/238-241, 250, 252, 254;  
D8/307-308

CPC ..... Y10T 137/9464; Y10T 137/6014; Y10T  
137/6017

See application file for complete search history.

(56) **References Cited**

**U.S. PATENT DOCUMENTS**

D598,984 S	8/2009	Corbett	
D599,442 S	9/2009	Fakonas	
D666,699 S	9/2012	Liao	
D718,839 S	12/2014	Garland	
D729,350 S *	5/2015	Bahler	D23/252
D763,412 S	8/2016	Garland	
D764,639 S	8/2016	Garland	
D847,306 S *	4/2019	Garland	D23/252
D878,523 S *	3/2020	Lazarini	D23/252
D893,679 S *	8/2020	Park	D23/252

**OTHER PUBLICATIONS**

Model: WS84820, Boardwalk Chrome Two-Handle Low Arc Bathroom Faucet [https://www.moen.com/products/Boardwalk/Boardwalk\\_Chrome\\_twohandle\\_low\\_arc\\_bathroom\\_faucet/WS84820](https://www.moen.com/products/Boardwalk/Boardwalk_Chrome_twohandle_low_arc_bathroom_faucet/WS84820) (Year: 2020).\*

\* cited by examiner

*Primary Examiner* — Robert A Delehanty

(74) *Attorney, Agent, or Firm* — KA Filing LLC; Cynthia W. Flanigan

(57) **CLAIM**

I claim the ornamental design for a faucet handle, as shown and described.

**DESCRIPTION**

FIG. 1 is a Perspective view of a faucet handle showing my new design;

FIG. 2 is other perspective view thereof;

FIG. 3 is a Front view thereof;

FIG. 4 is a Back view thereof;

FIG. 5 is a Right-side view thereof;

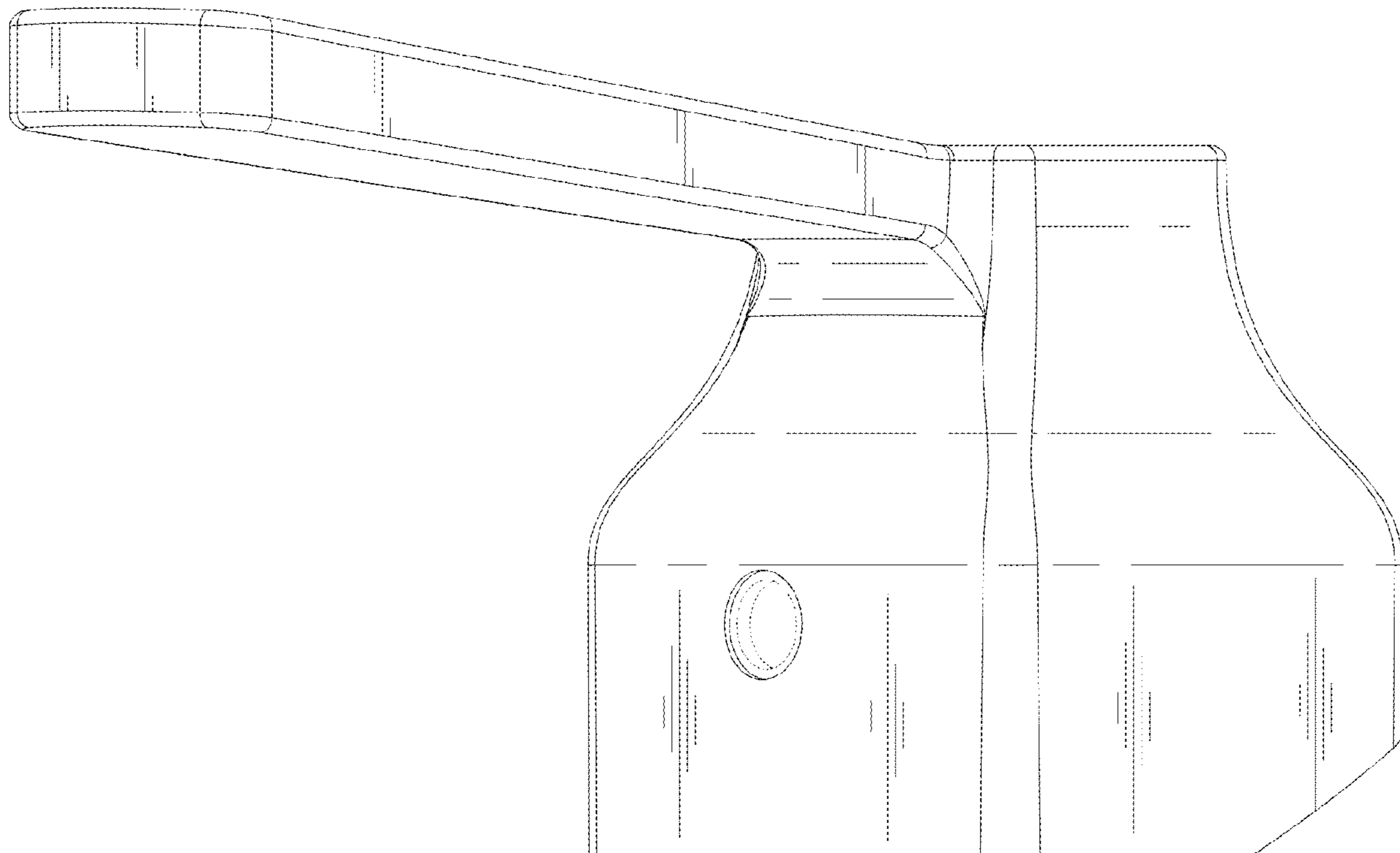
FIG. 6 is a Left-side view thereof;

FIG. 7 is a Top view thereof; and,

FIG. 8 is a Bottom view thereof.

The broken lines are for the purpose of illustrating portions of the article that form no part of the claim.

**1 Claim, 8 Drawing Sheets**



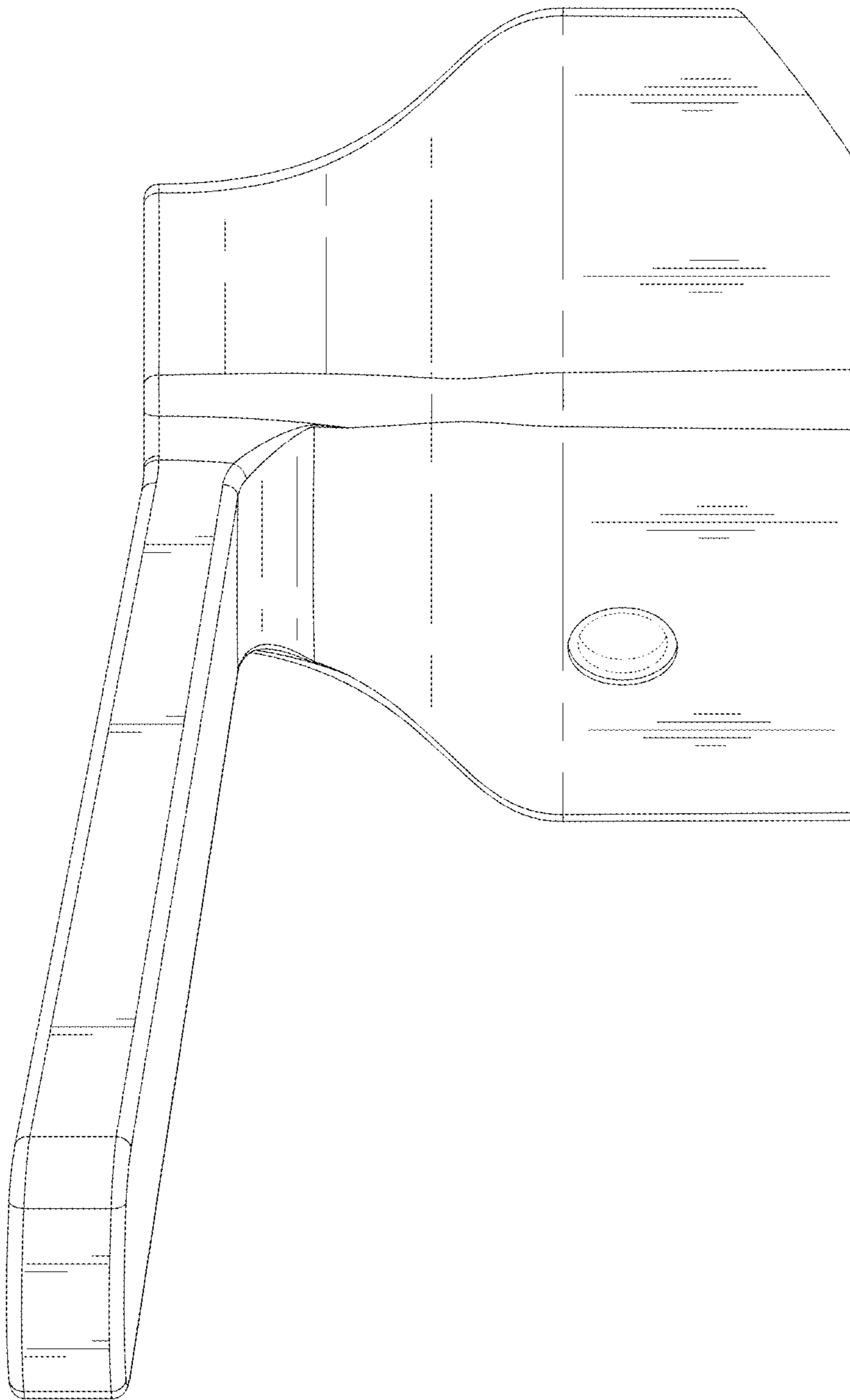


FIG. 1

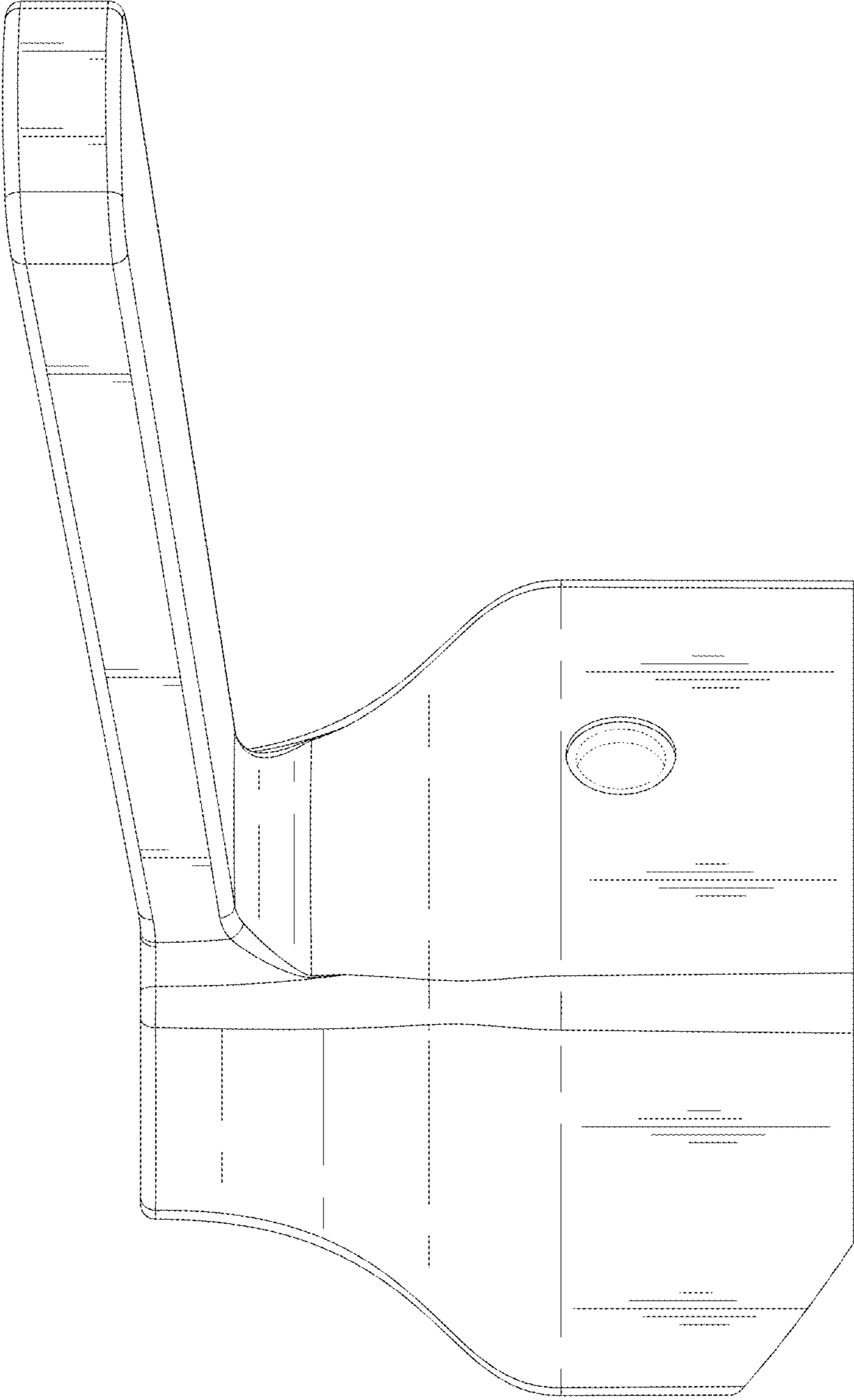


FIG. 2

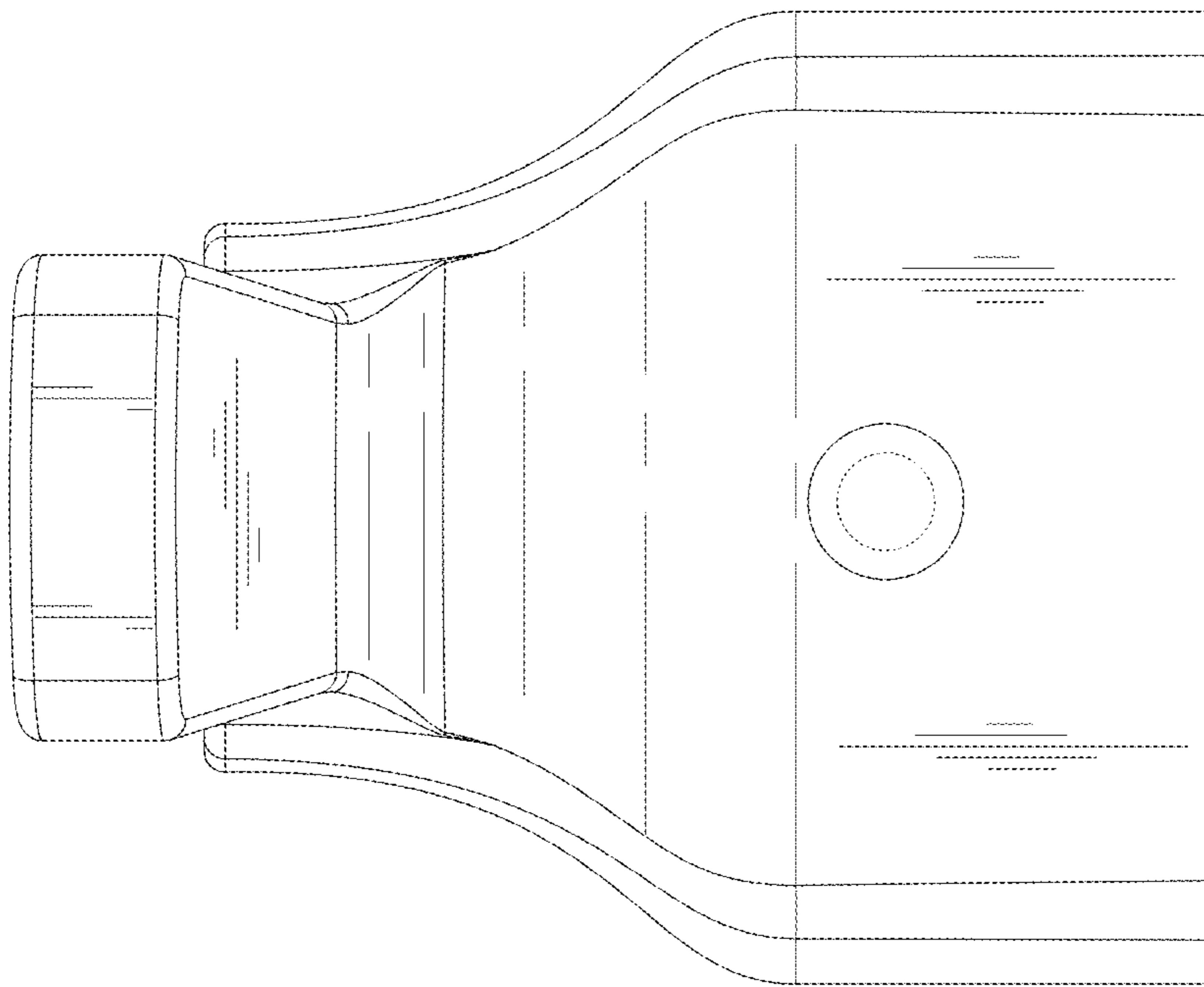


FIG. 3

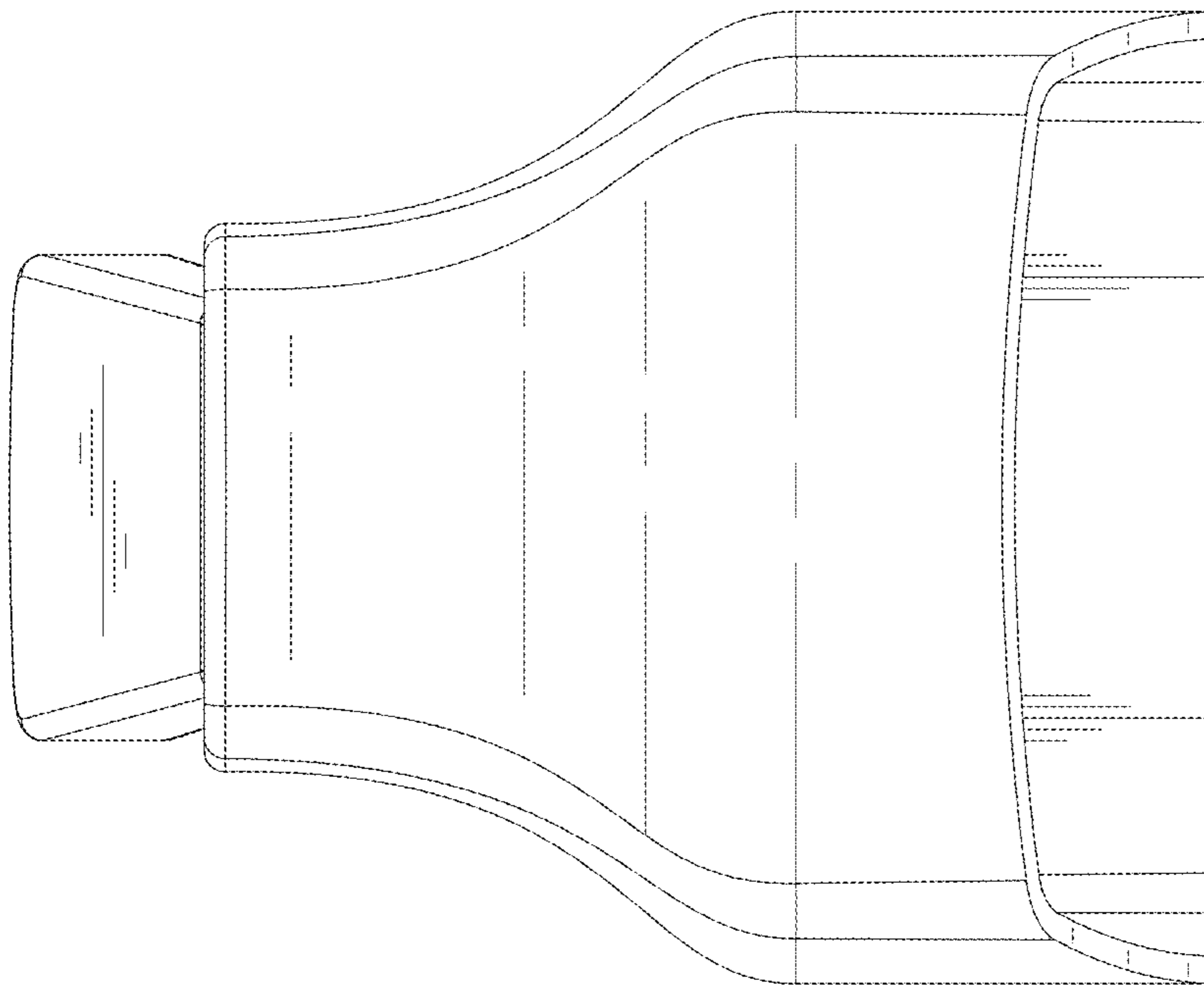


FIG. 4

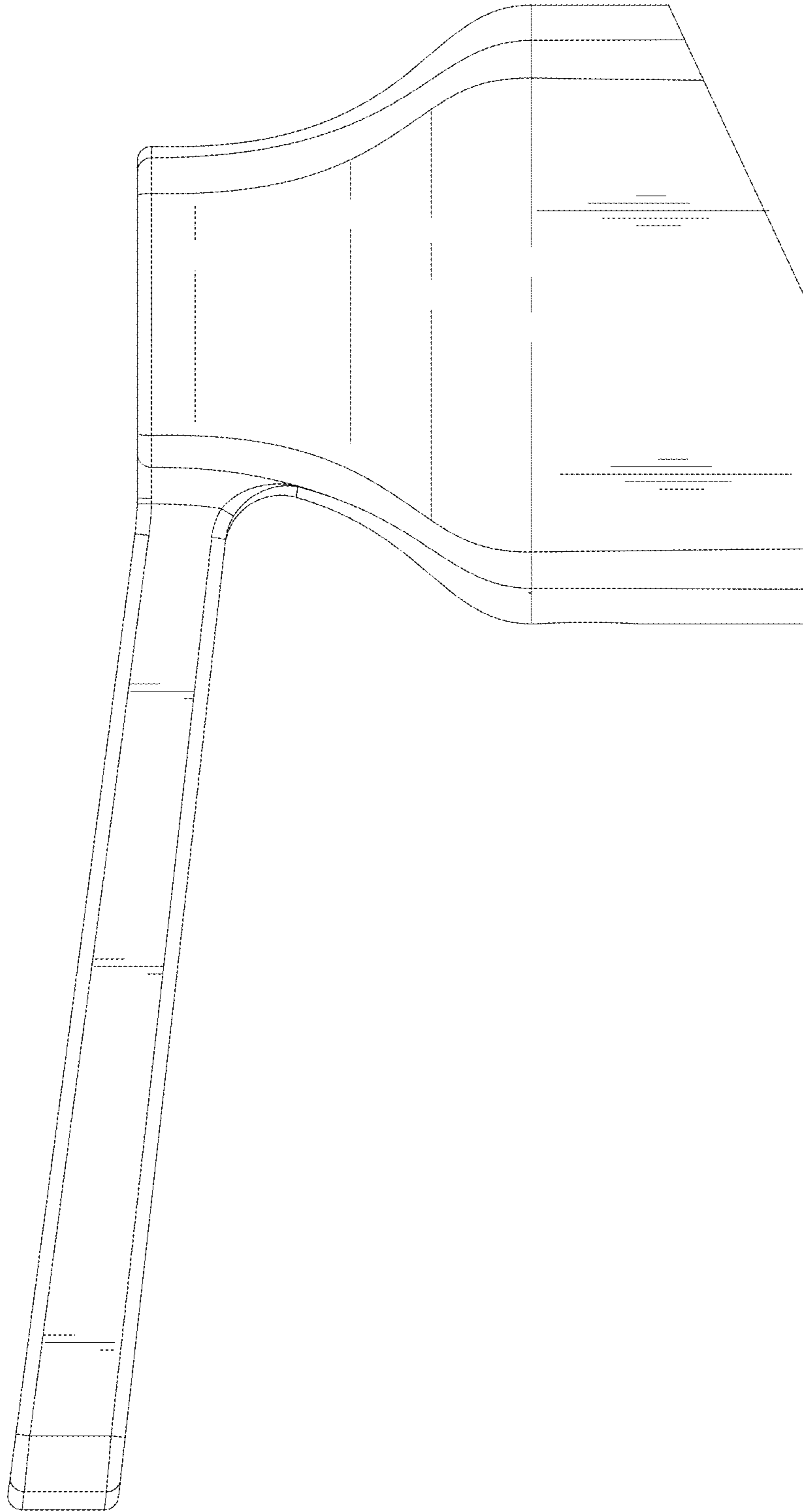


FIG. 5

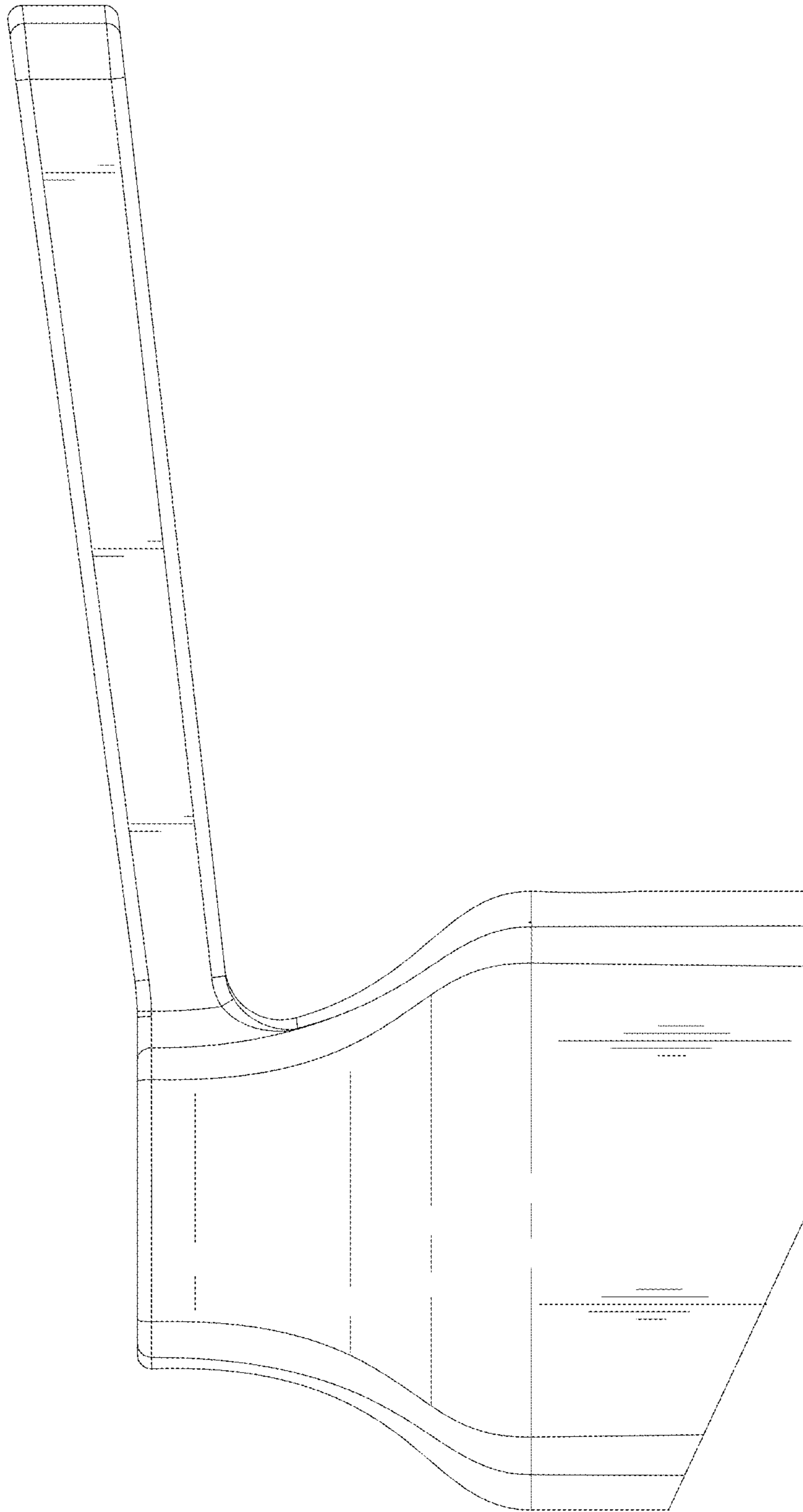


FIG. 6

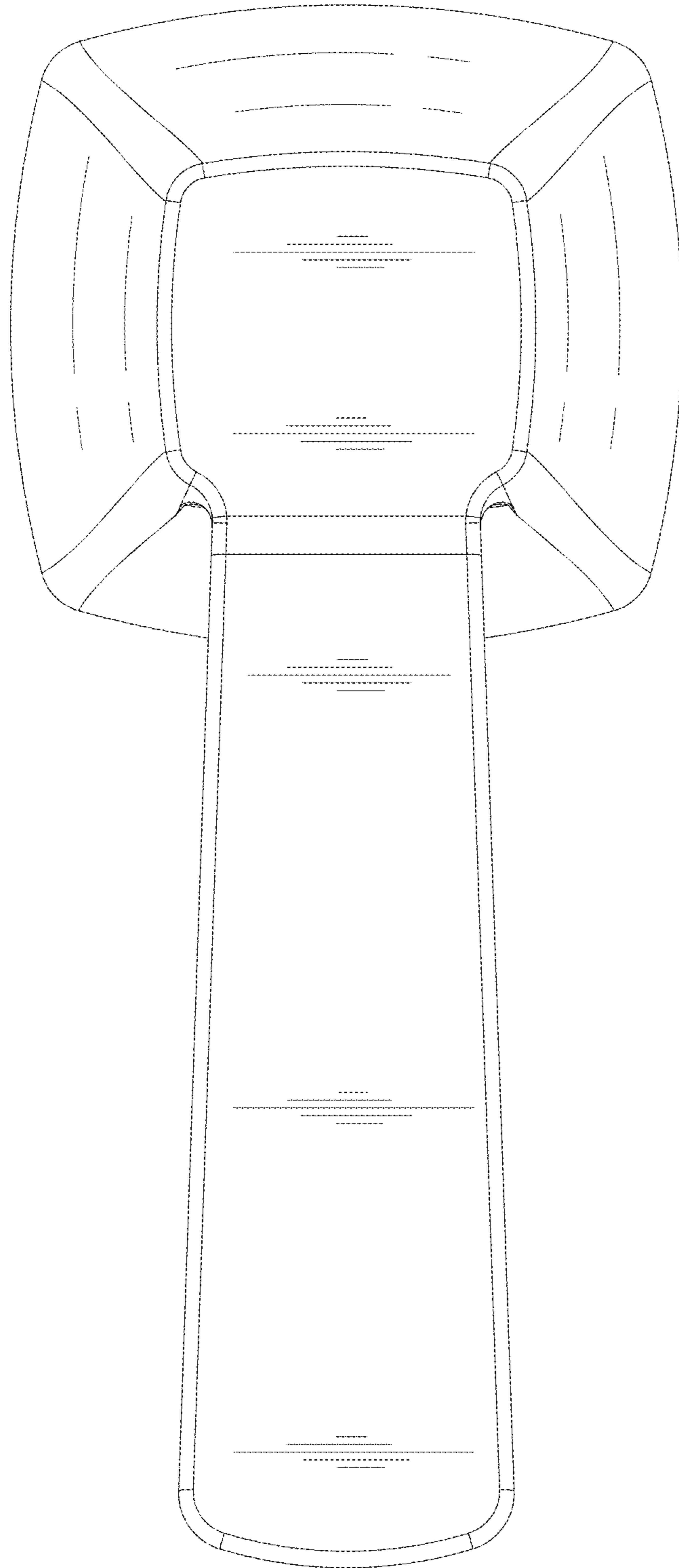


FIG. 7



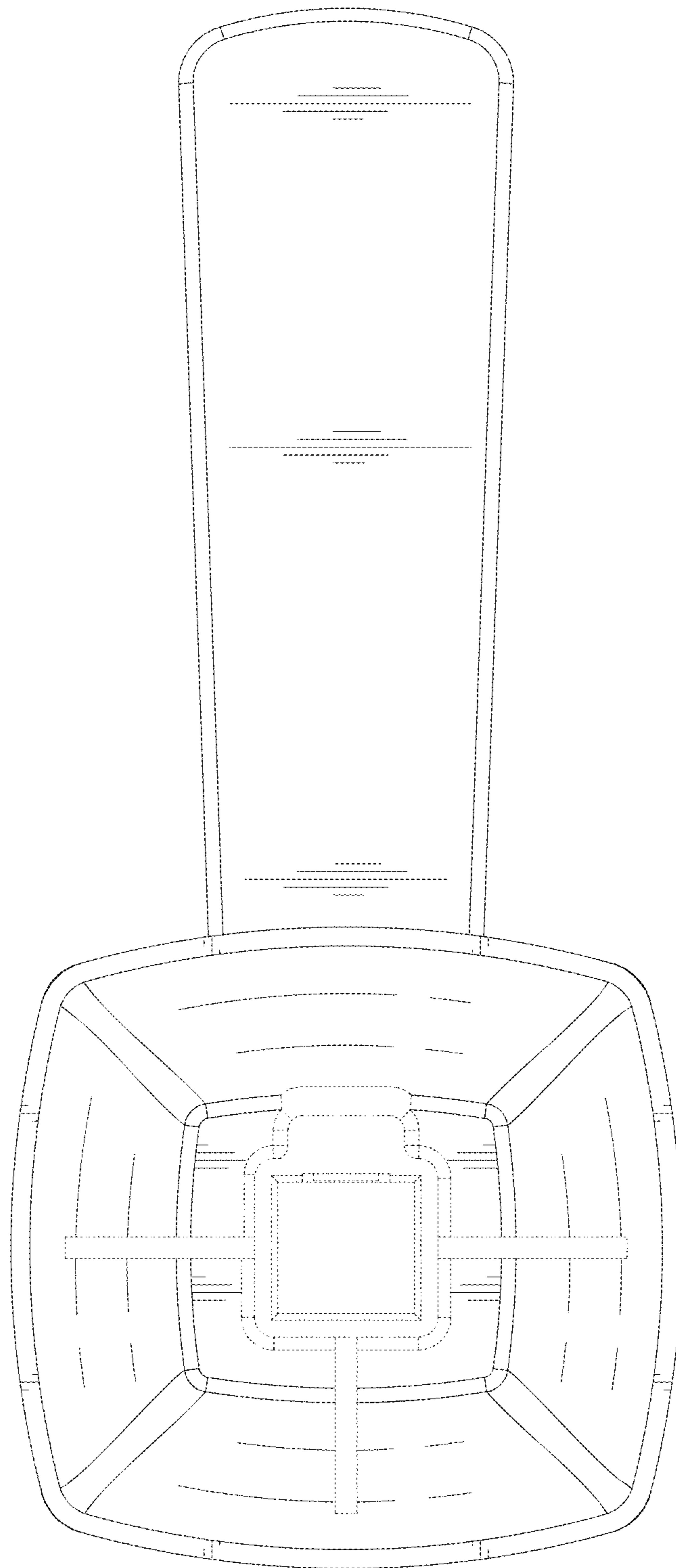


FIG. 8