



US00D903825S

(12) **United States Design Patent** (10) **Patent No.:** **US D903,825 S**  
**Liu** (45) **Date of Patent:** **\*\* Dec. 1, 2020**

(54) **SPRAYER**  
(71) Applicant: **Zhiyue Liu**, Hunan (CN)  
(72) Inventor: **Zhiyue Liu**, Hunan (CN)  
(73) Assignee: **KAIPING YUESHAN TOWN ZHEN BO CHUAN SANITARY EQUIPMENT FACTORY**, Kaiping (CN)

D712,521 S 9/2014 Smith et al.  
D714,913 S 10/2014 Smith et al.  
D791,282 S 7/2017 Bahler  
D811,556 S 2/2018 Garland  
D816,804 S \* 5/2018 Chong ..... D23/238  
D877,861 S 3/2020 Garland

(\*\*) Term: **15 Years**

(21) Appl. No.: **29/729,643**

(22) Filed: **Mar. 29, 2020**

(51) **LOC (12) Cl.** ..... **23-01**

(52) **U.S. Cl.**  
USPC ..... **D23/238**

(58) **Field of Classification Search**  
USPC ..... D23/238-243, 249, 252, 226;  
D29/125-126, 129; D7/313, 398  
CPC ..... Y10T 137/0396; Y10T 137/9464; E03C  
1/0404; E03C 1/0405  
See application file for complete search history.

(56) **References Cited**

**U.S. PATENT DOCUMENTS**

D86,851 S \* 4/1932 Miller ..... D23/238  
D252,338 S \* 7/1979 Skinner ..... D23/238  
D292,606 S \* 11/1987 Hengesbach ..... D23/226  
4,761,839 A \* 8/1988 Ganaway ..... E03C 1/04  
239/289  
D318,316 S \* 7/1991 Hengesbach ..... D23/226  
D579,082 S 10/2008 Yuan  
D581,498 S 11/2008 Dolan  
D654,570 S 2/2012 Yu

**OTHER PUBLICATIONS**

APPASO Commercial Kitchen Faucet Pull Down Sprayer, Amazon.com, see reference for exact web page address (Year: 2019).\*  
[https://www.amazon.com/JZBRAIN-Sprayer-Commercial-Kitchen-Brushed/dp/B076FV6VQX/ref=asc\\_df\\_B076FV6VQX/?tag=bingshoppinga-20&linkCode=dfO&hvadid=&hvpos=&hvnetw=o&hvrnd=&hvpone=&hvptwo=&hvgrint=e&hvdev=c&hvdvrind1=&hvlocint=&hvlocphy=&hvtargid=pla-4583589106894462&psc=1](https://www.amazon.com/JZBRAIN-Sprayer-Commercial-Kitchen-Brushed/dp/B076FV6VQX/ref=asc_df_B076FV6VQX/?tag=bingshoppinga-20&linkCode=dfO&hvadid=&hvpos=&hvnetw=o&hvrnd=&hvpone=&hvptwo=&hvgrint=e&hvdev=c&hvdvrind1=&hvlocint=&hvlocphy=&hvtargid=pla-4583589106894462&psc=1) (Year: 2020).\*

\* cited by examiner

*Primary Examiner* — Robert A Delehanty

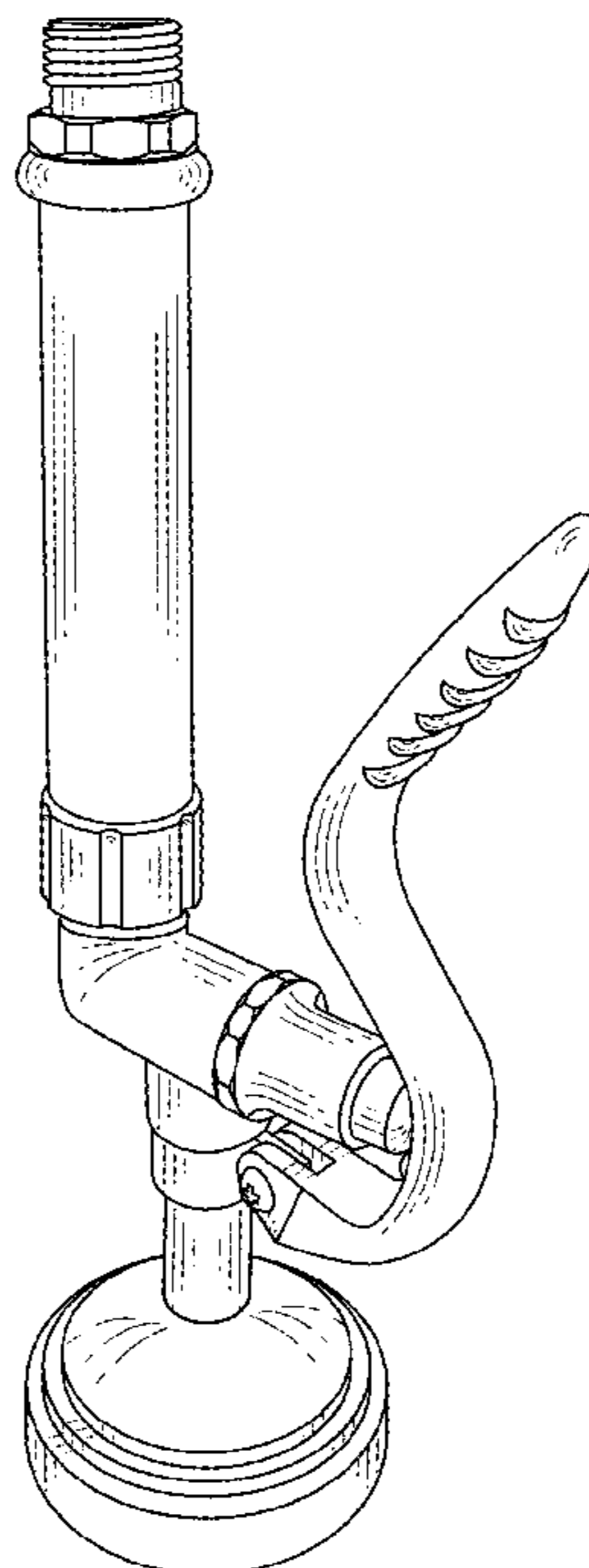
(57) **CLAIM**

The ornamental design for a sprayer, as shown and described.

**DESCRIPTION**

FIG. 1 is a perspective view of a sprayer showing my new design;  
FIG. 2 is a front elevational view thereof;  
FIG. 3 is a rear elevational view thereof;  
FIG. 4 is a left side elevational view thereof;  
FIG. 5 is a right side elevational view thereof;  
FIG. 6 is a top plan view thereof;  
FIG. 7 is a bottom plan view thereof; and,  
FIG. 8 is another perspective view thereof.  
The broken lines throughout the drawing figures depict portions of the sprayer that form no part of the claimed design.

**1 Claim, 8 Drawing Sheets**



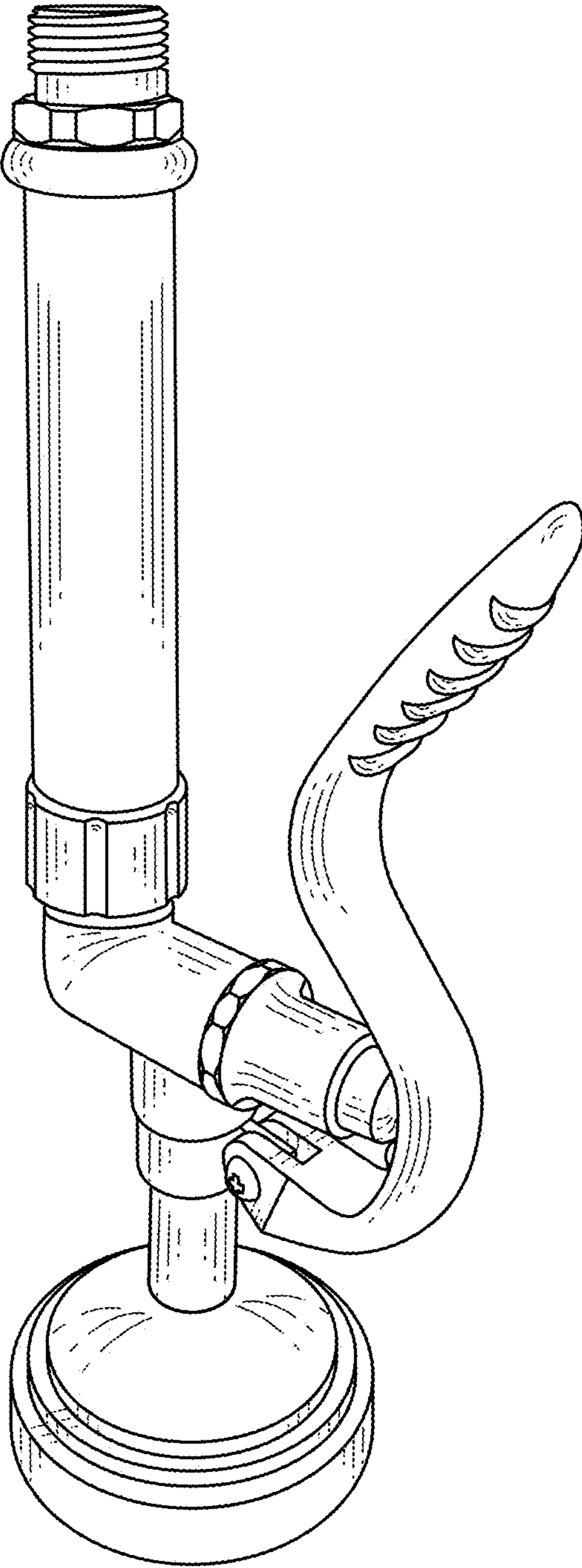


FIG.1

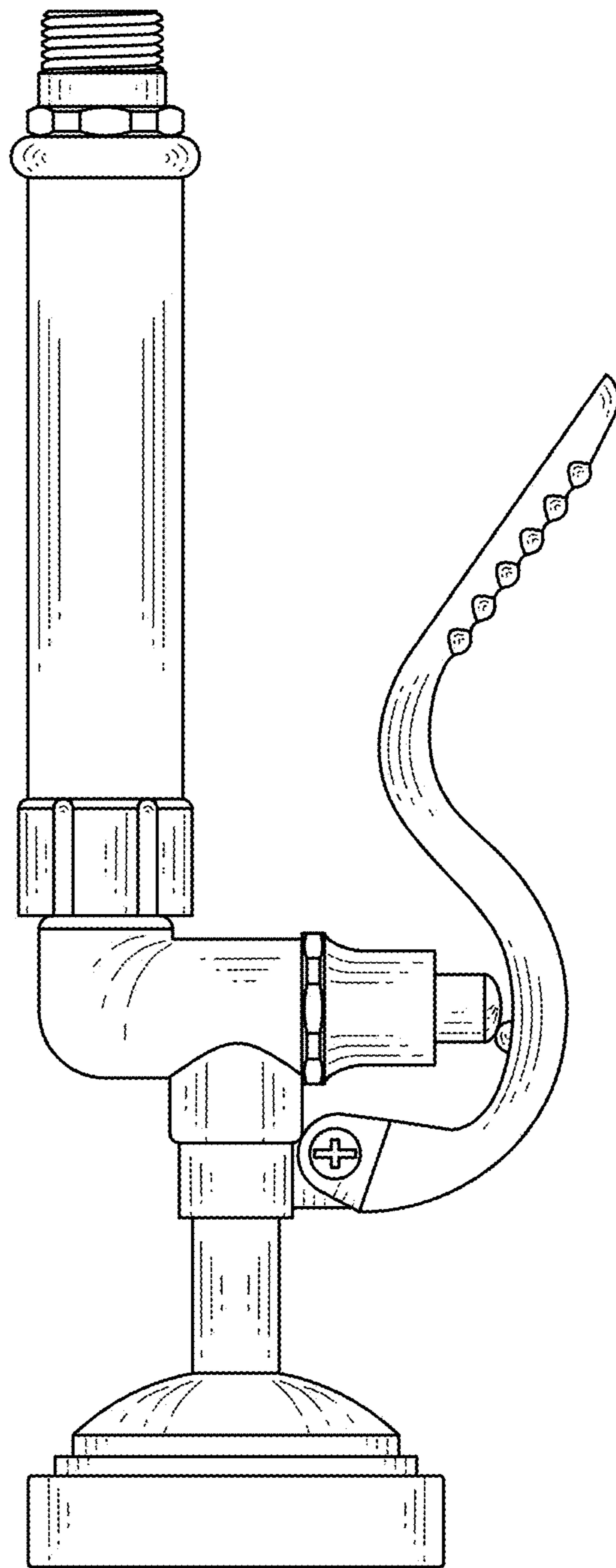


FIG.2

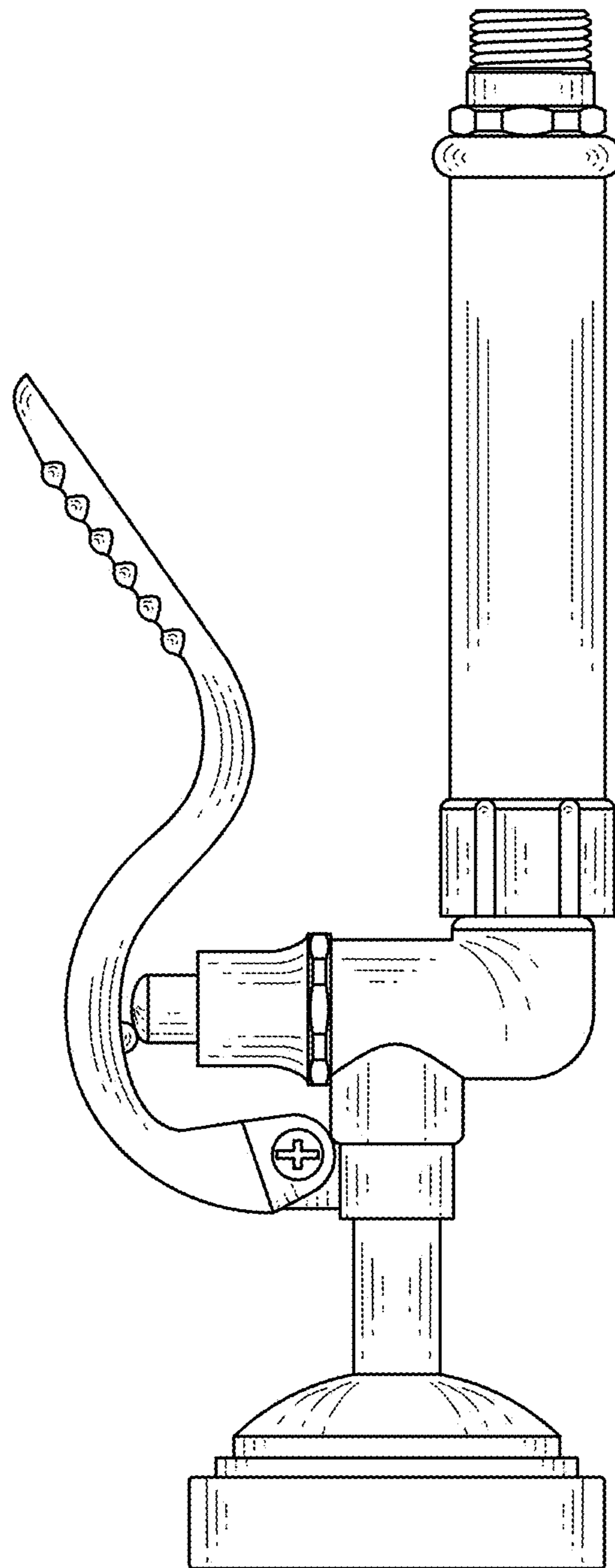


FIG.3

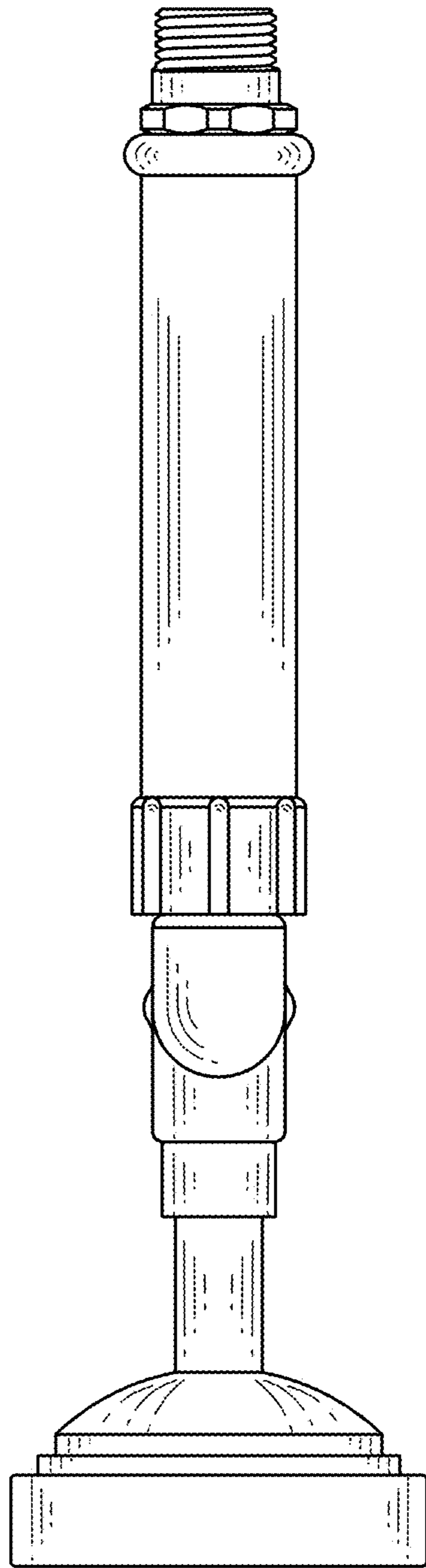


FIG.4

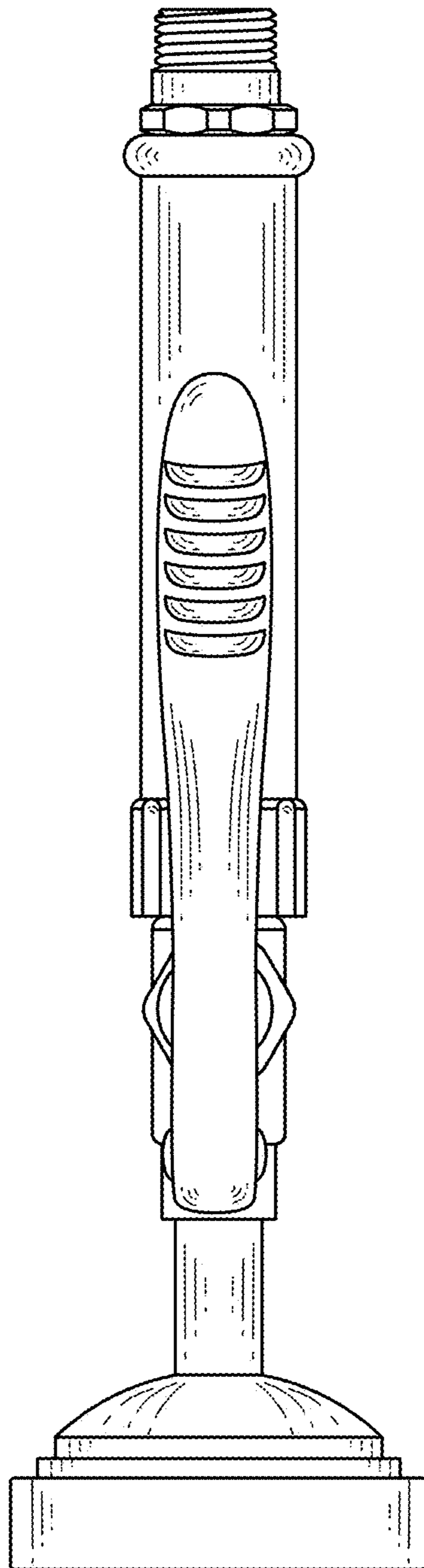


FIG.5

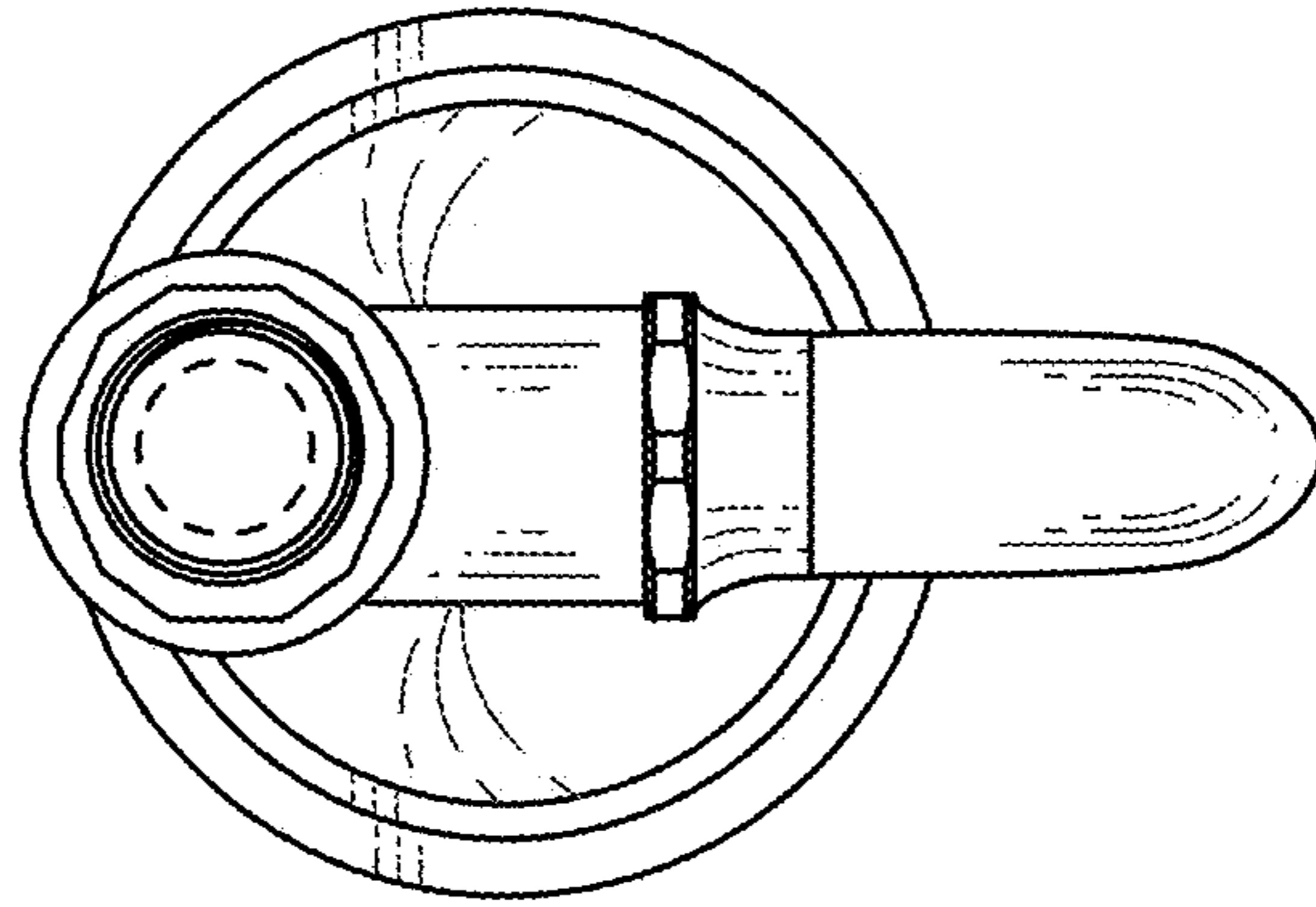


FIG.6

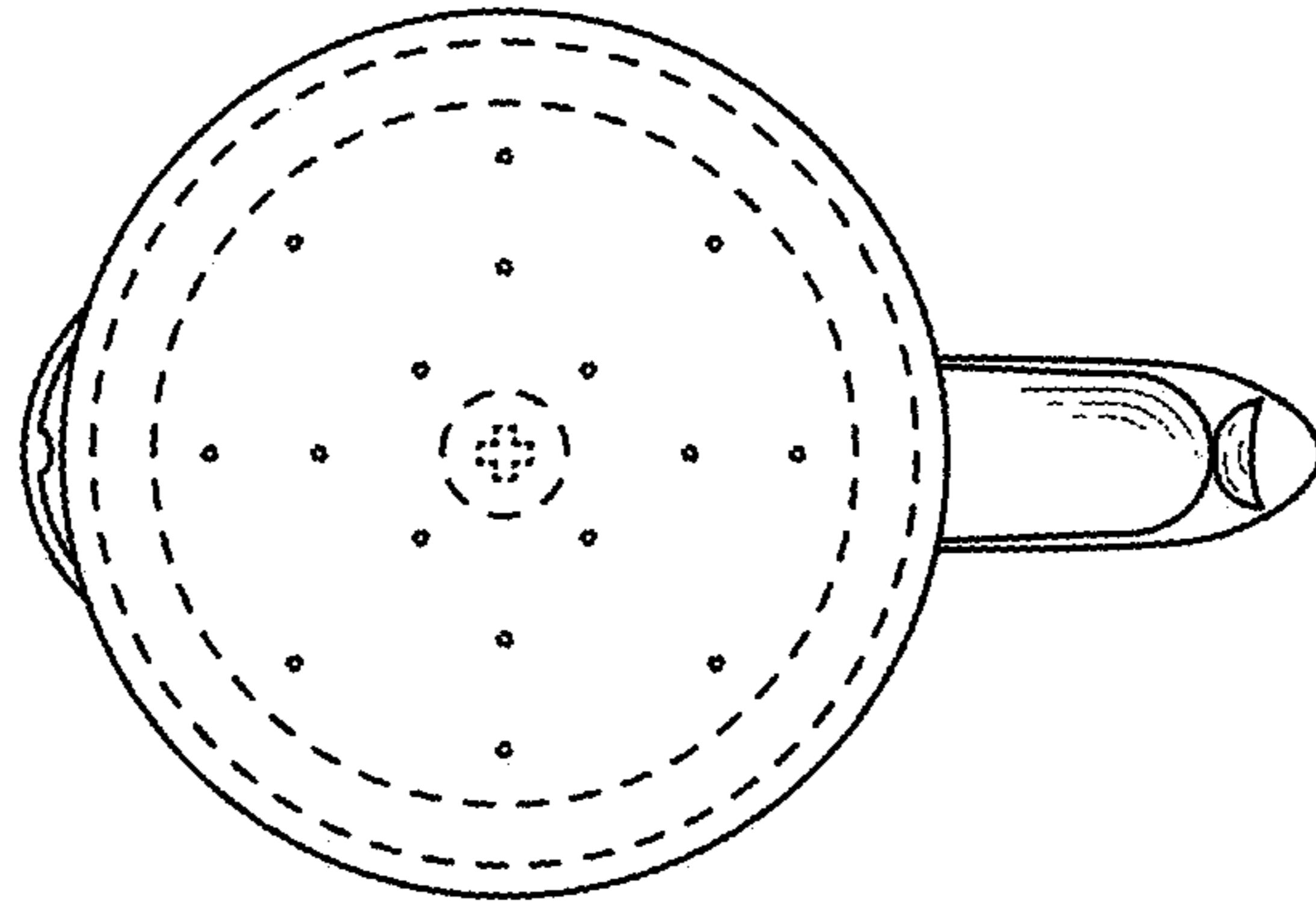


FIG.7



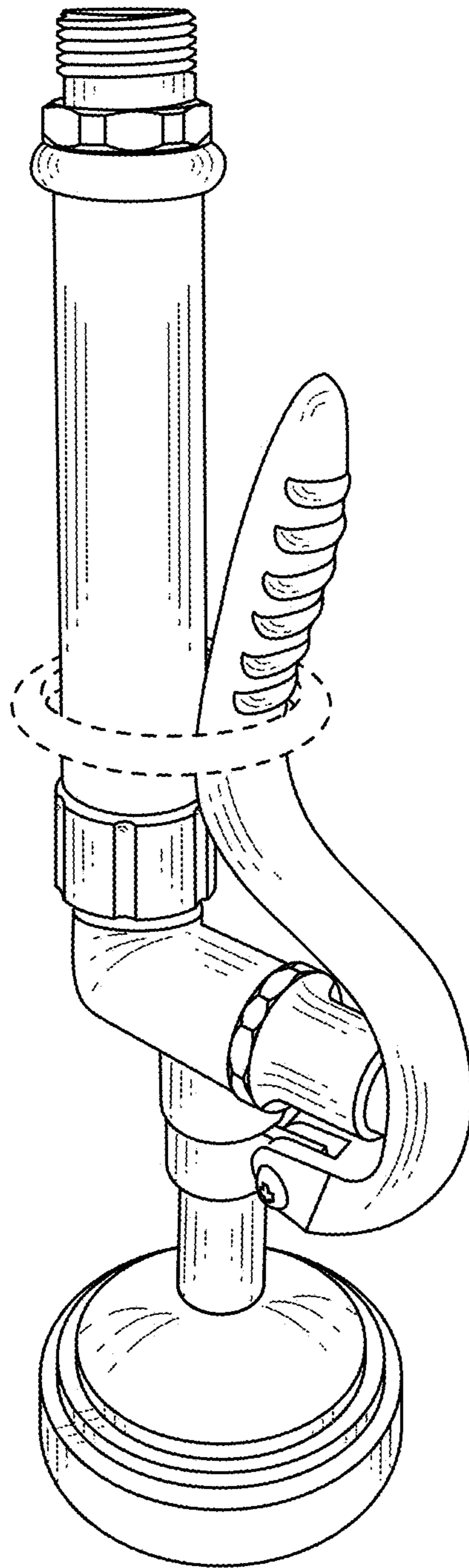


FIG.8