



US00D903824S

(12) **United States Design Patent** (10) **Patent No.:** **US D903,824 S**
Garland (45) **Date of Patent:** **** Dec. 1, 2020**

(54) **FAUCET** D820,399 S * 6/2018 Garland D23/238
D846,079 S * 4/2019 Garland D23/238
D848,577 S * 5/2019 Garland D23/255

(71) Applicant: **DELTA FAUCET COMPANY,**
Indianapolis, IN (US)

FOREIGN PATENT DOCUMENTS

(72) Inventor: **Celine Kwok Garland,** Zionsville, IN
(US)

CA 176169 * 8/2017
CN 304118766 * 8/2016
CN 304211819 * 12/2016

(73) Assignee: **DELTA FAUCET COMPANY,**
Indianapolis, IN (US)

OTHER PUBLICATIONS

(**) Term: **15 Years**

Mid height bathroom faucet, announced Date unavailable[online],
[site visited Aug. 5, 2020]. Available from internet, URL:<https://
www.deltafaucet.com/bathroom/product/643-KS-DST> (Year: 2020).*

(21) Appl. No.: **29/687,345**

* cited by examiner

(22) Filed: **Apr. 12, 2019**

(51) **LOC (12) Cl.** **23-01**

Primary Examiner — Barbara Fox

(52) **U.S. Cl.**

Assistant Examiner — Jamaal Rasheed

USPC **D23/238**

(74) *Attorney, Agent, or Firm* — Nirav D. Parikh; Edgar
A. Zarins

(58) **Field of Classification Search**

USPC D23/238–244, 252, 254, 255, 257;
D8/307–308

CPC F16K 31/602; F16K 31/605; F16K 31/607;
E03C 1/0412

See application file for complete search history.

(57) **CLAIM**

The ornamental design for a faucet, as shown and described.

DESCRIPTION

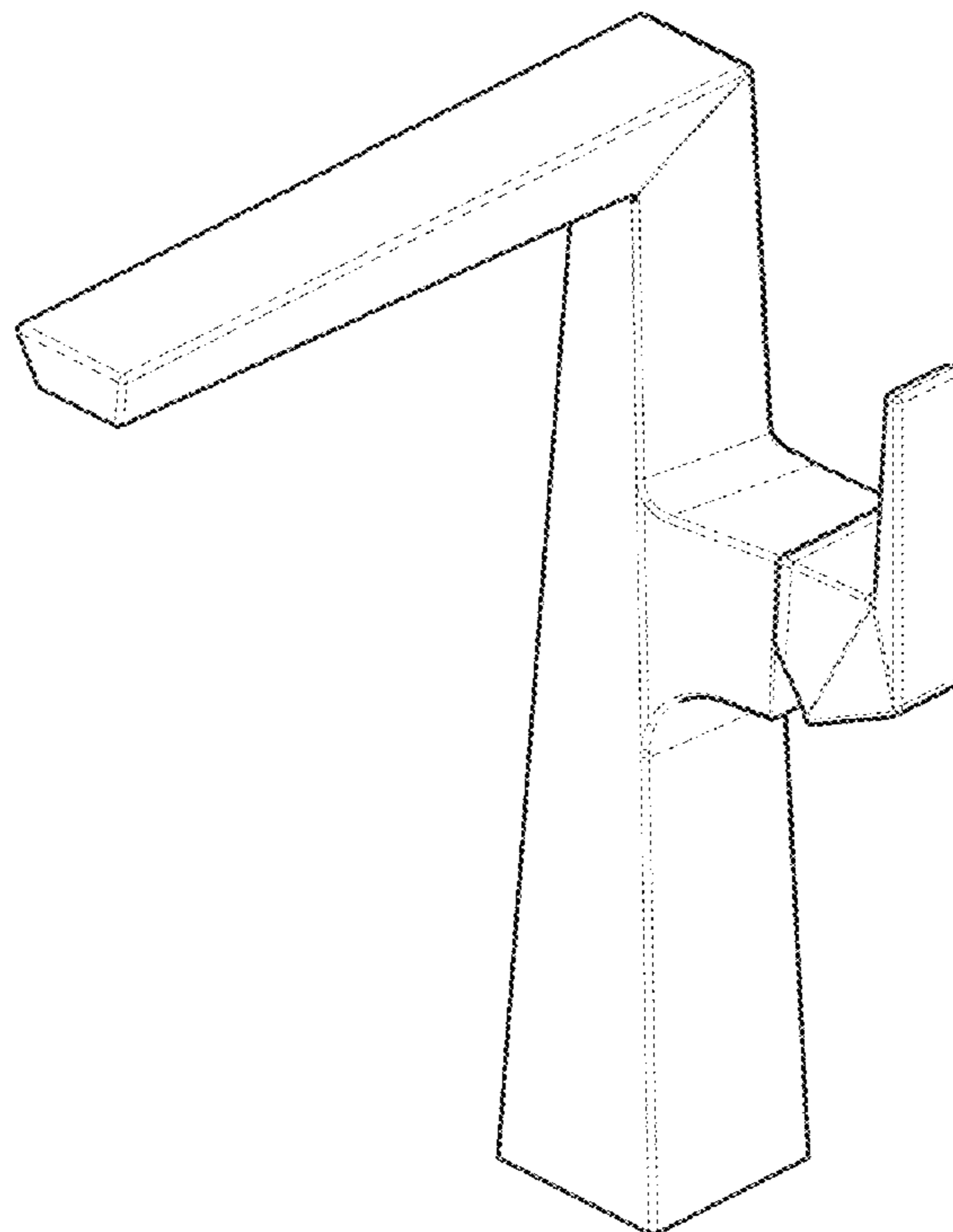
(56) **References Cited**

U.S. PATENT DOCUMENTS

D659,798 S * 5/2012 Flowers D23/238
D659,799 S * 5/2012 Flowers D23/238
D659,803 S * 5/2012 Flowers D23/255
D664,629 S * 7/2012 Tang D23/238
D696,387 S * 12/2013 Schoenherr D23/238
D769,418 S * 10/2016 Eads D23/238
D813,354 S * 3/2018 Garland D23/255

FIG. 1 is a front perspective view of a faucet showing my
new design;
FIG. 2 is a rear perspective view thereof;
FIG. 3 is a front elevational view thereof;
FIG. 4 is a left side view thereof;
FIG. 5 is a rear view thereof;
FIG. 6 is a right side view thereof;
FIG. 7 is a top plan view thereof; and,
FIG. 8 is a bottom view thereof.

1 Claim, 4 Drawing Sheets



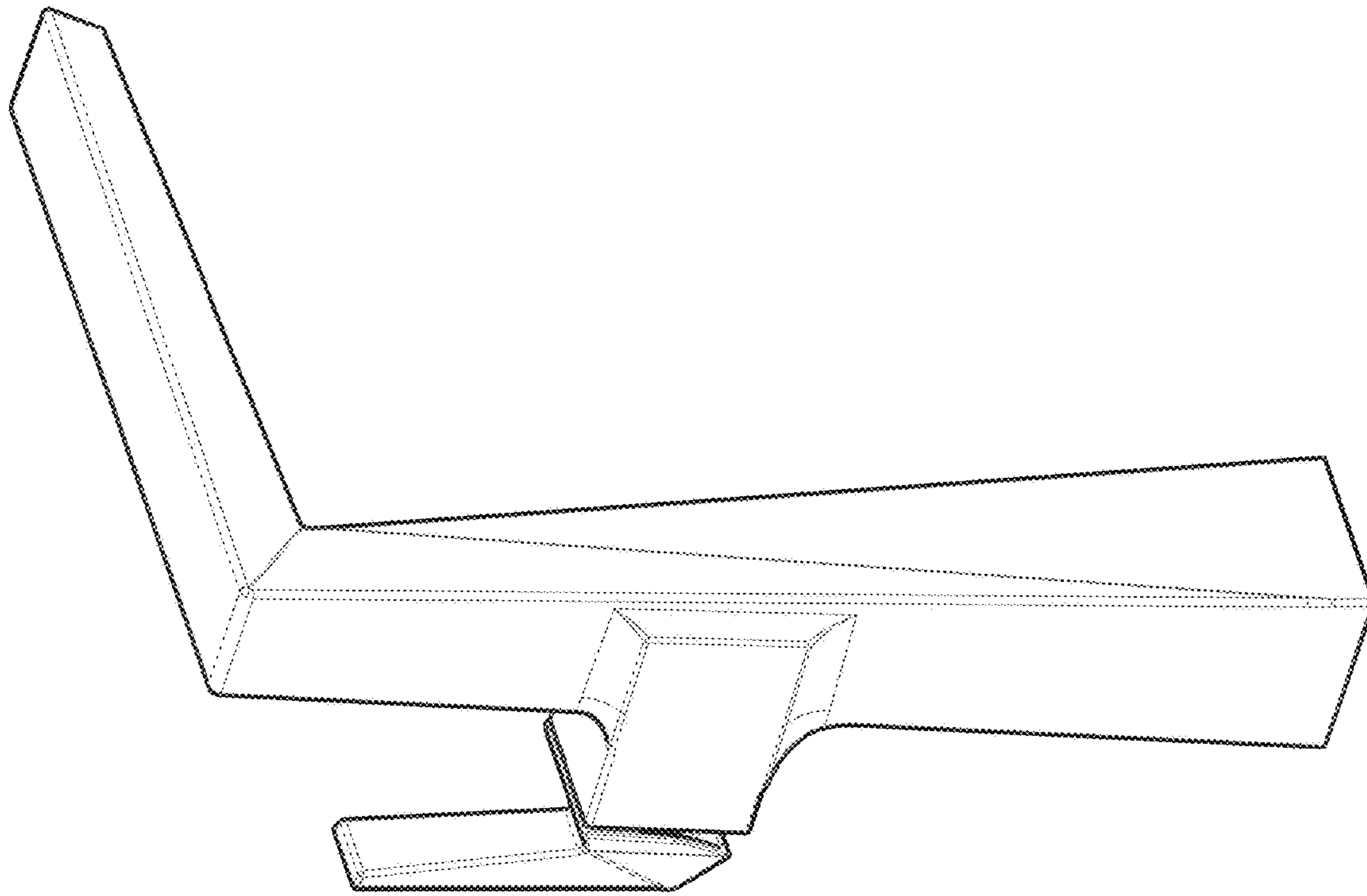


FIG - 2

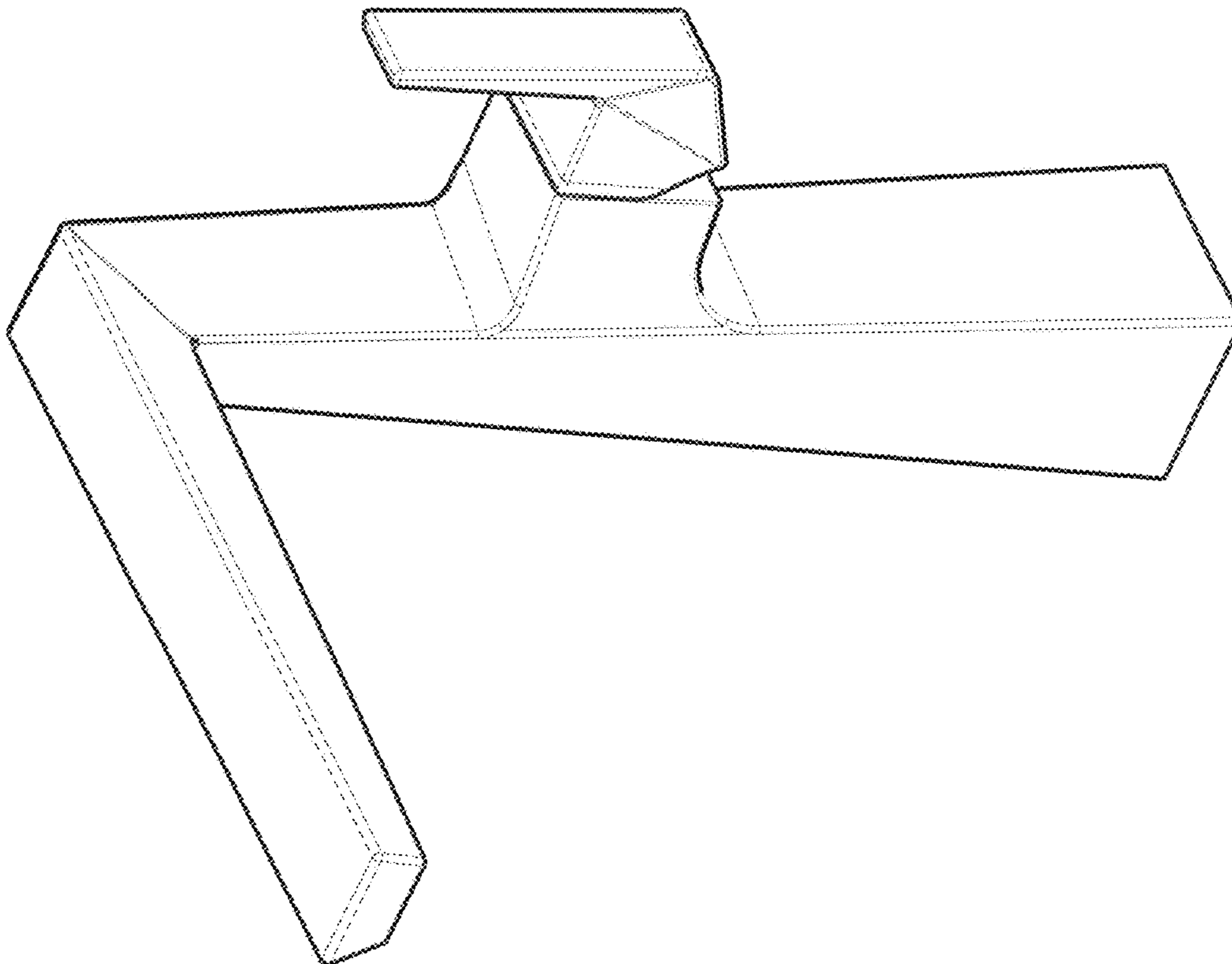


FIG - 1

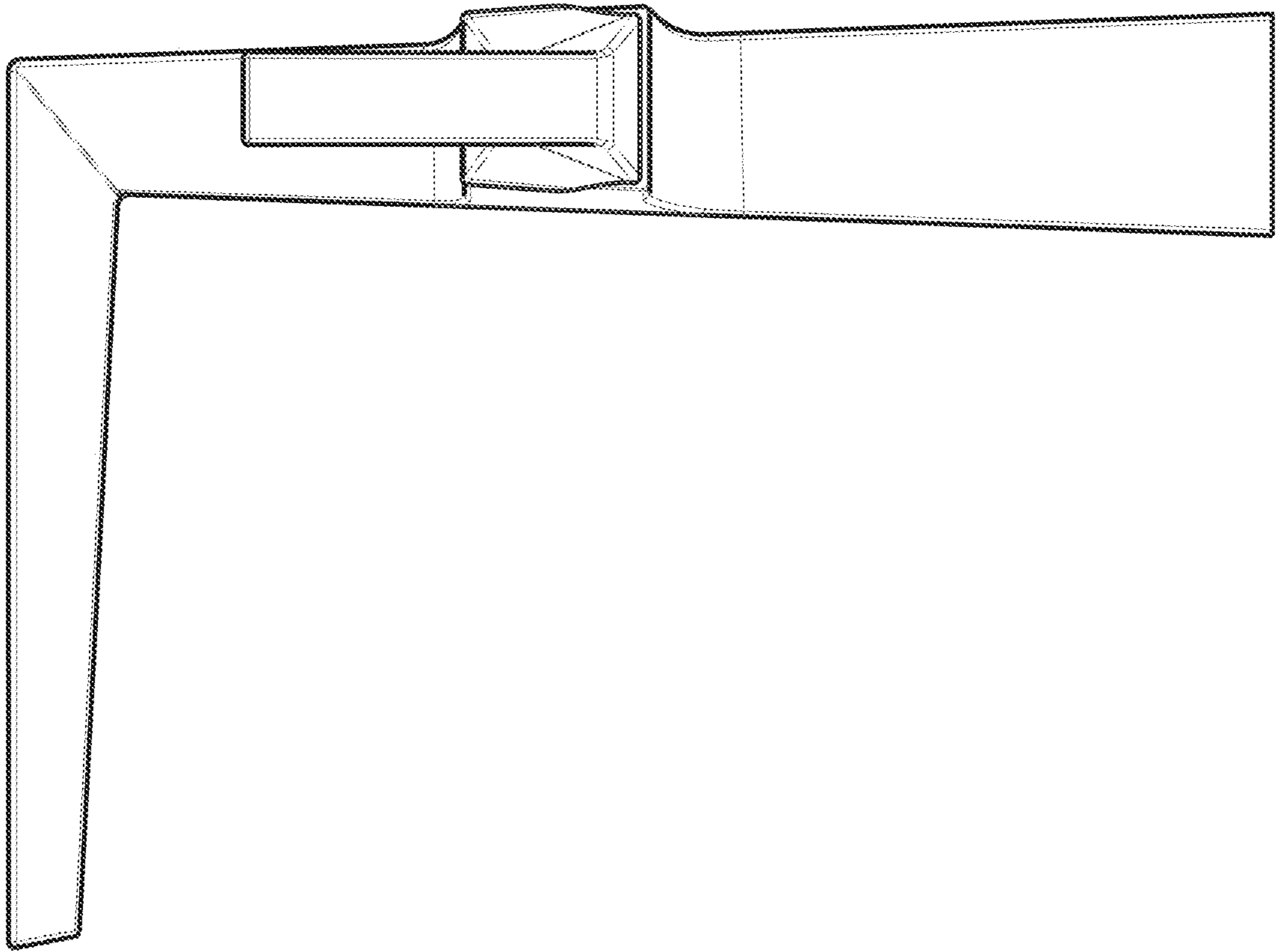


FIG - 4

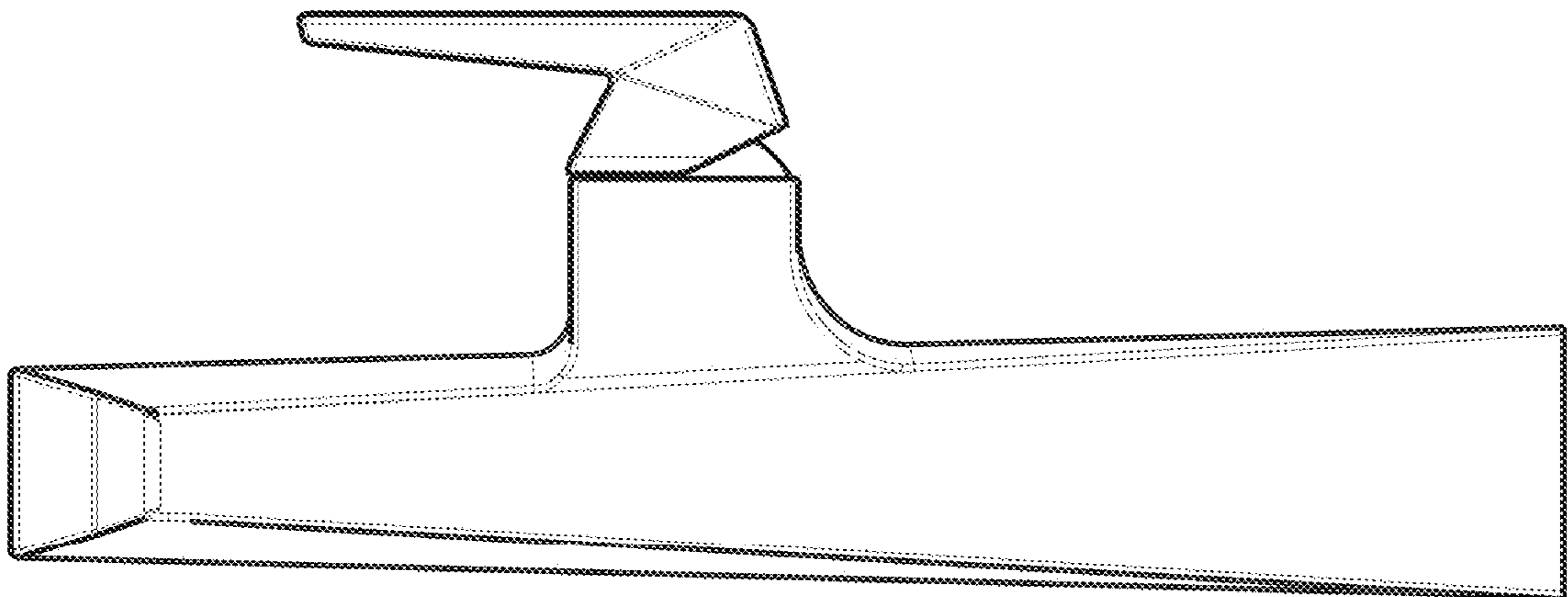


FIG - 3

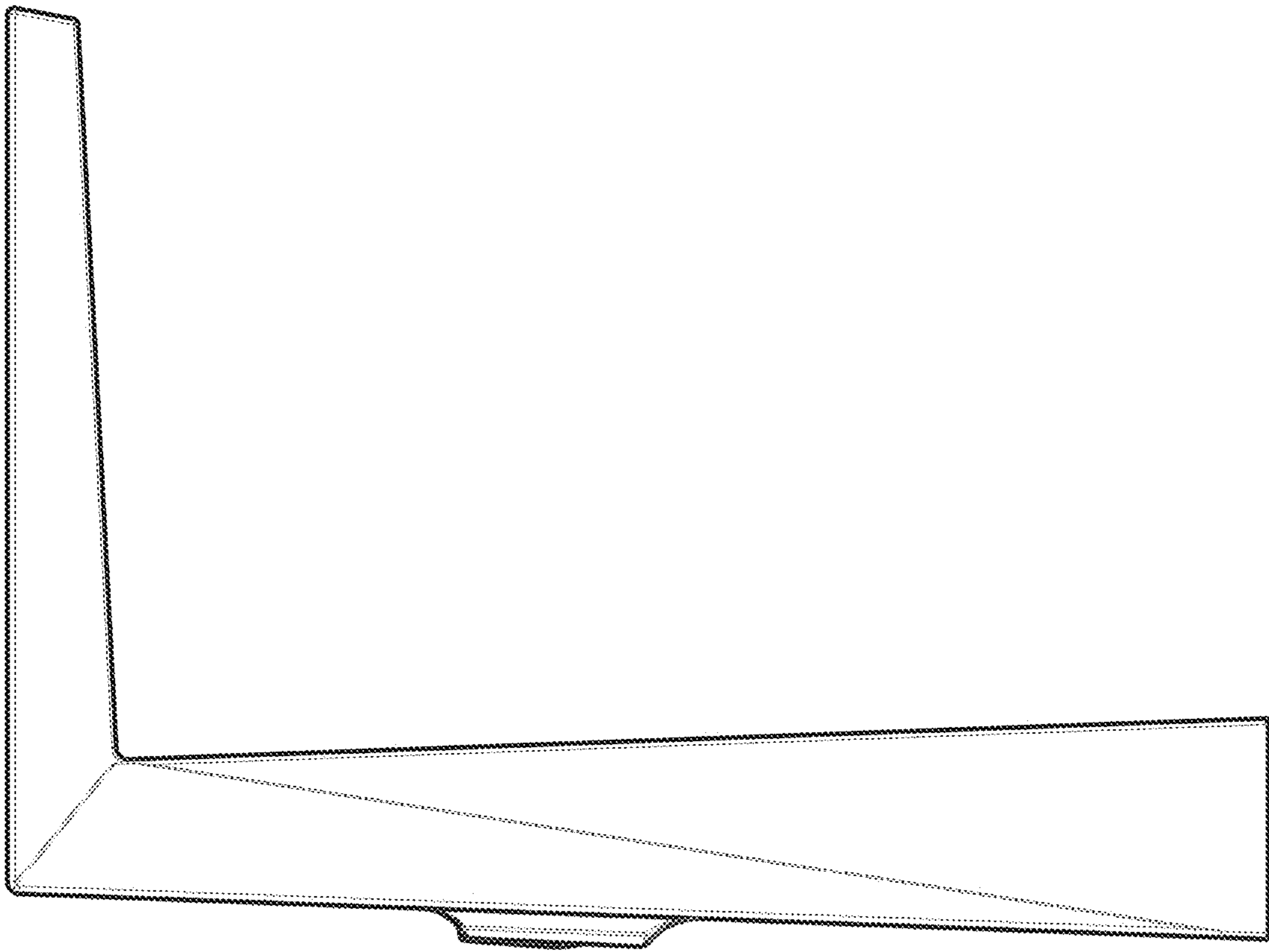


FIG - 6

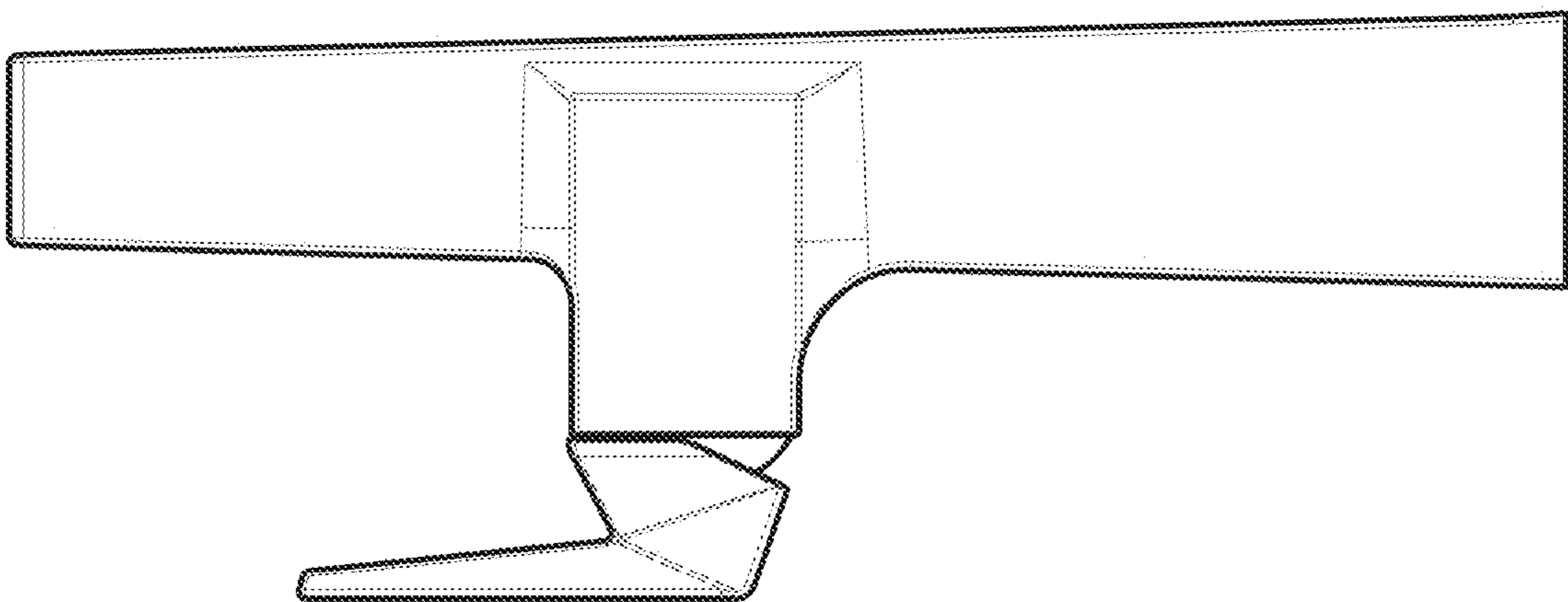


FIG - 5

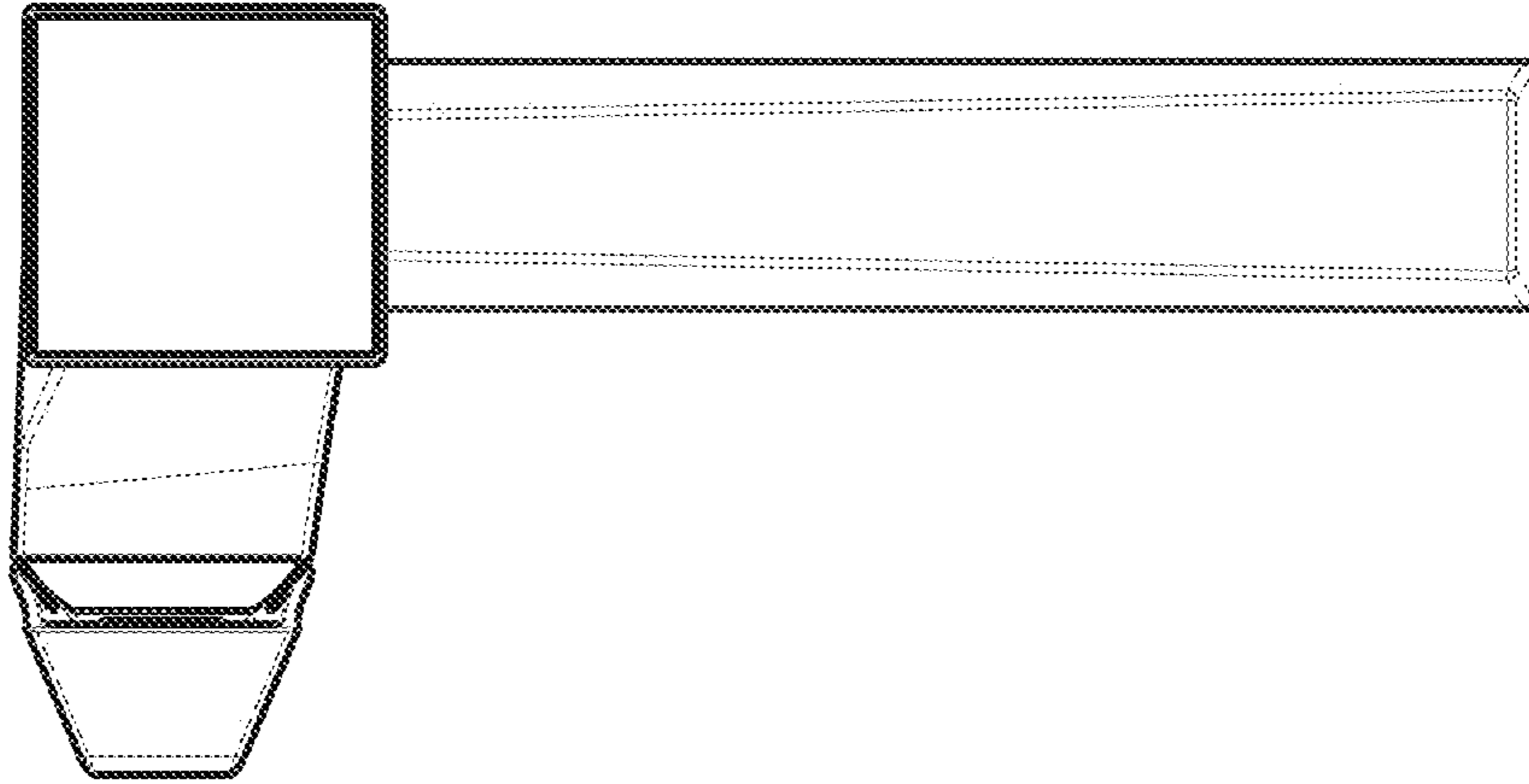


FIG - 8

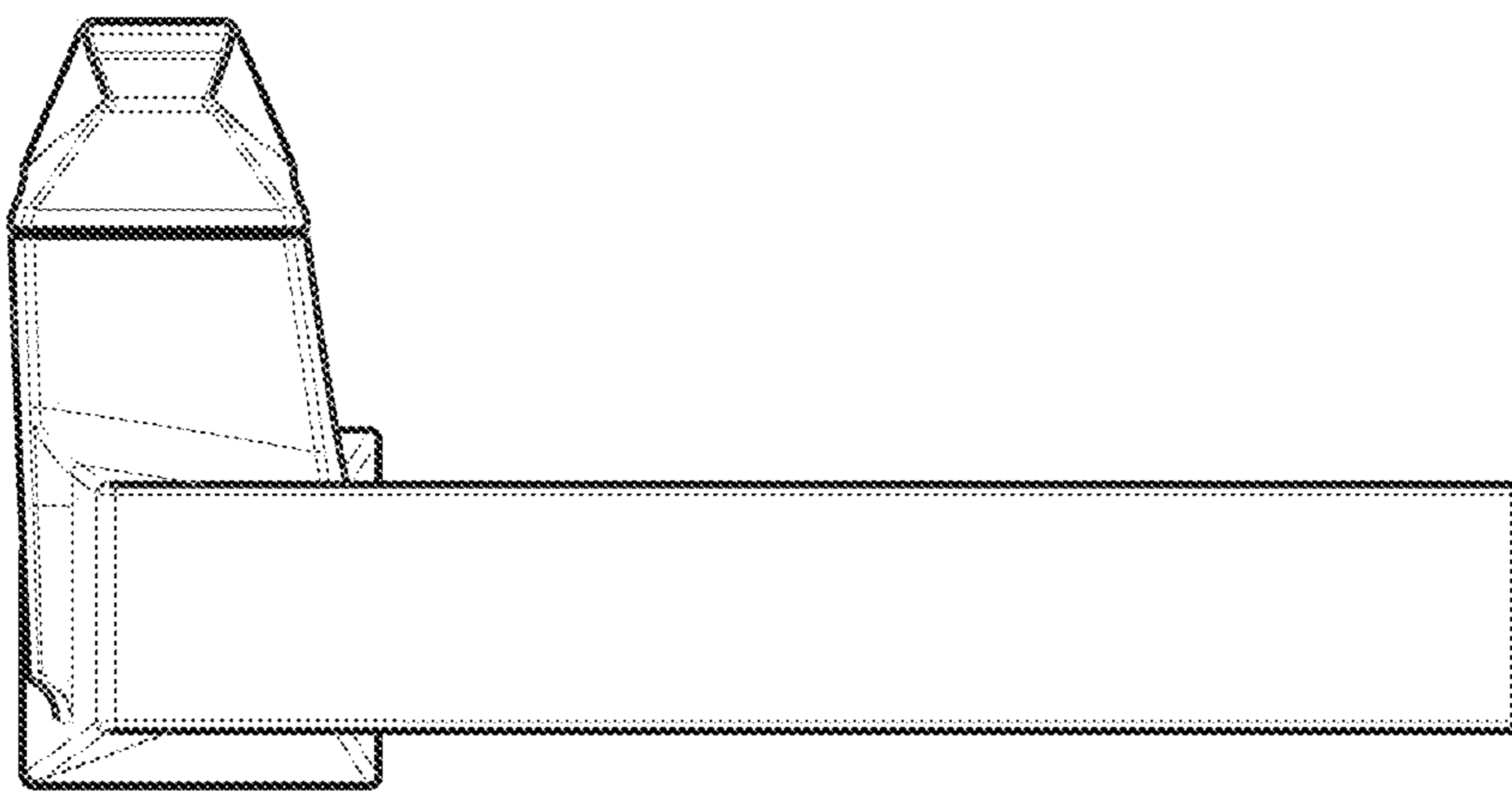


FIG - 7