



US00D903822S

(12) **United States Design Patent** (10) **Patent No.:** **US D903,822 S**
Tomiya et al. (45) **Date of Patent:** **** Dec. 1, 2020**

(54) **FAUCET**

D793,539 S * 8/2017 Fritz D23/255
D805,607 S * 12/2017 Streng D23/240
D809,629 S * 2/2018 Streng D23/240

(71) Applicant: **TOTO, Ltd.**, Kitakyushu (JP)

FOREIGN PATENT DOCUMENTS

(72) Inventors: **Keishi Tomiya**, Kitakyushu (JP);
Takanori Shimazoe, Kitakyushu (JP)

CN 303597469 * 9/2015
CN 304006903 * 6/2016

(73) Assignee: **TOTO Ltd.**, Kitakyushu (JP)

OTHER PUBLICATIONS

(**) Term: **15 Years**

Vanity Sink Faucet, announced Dec. 13, 2016[online], [site visited Aug. 5, 2020]. Available from internet, URL:<<https://www.amazon.com/Hiendure-Control-Centerset-Bathroom-Rectangle/dp/B01N9H1KT2>> (Year: 2016).*

(21) Appl. No.: **29/682,902**

Tall Vessel, announced Mar. 1, 2019[online], [site visited Aug. 5, 2020]. Available from internet, URL:<<https://www.amazon.com/Modern-Single-Handle-Bathroom-Lavatory/dp/B07P87SRBX?source=ps-sl-shoppingads-lpcontext&psc=1>> (Year: 2019).*

(22) Filed: **Mar. 8, 2019**

(Continued)

(30) **Foreign Application Priority Data**

Dec. 26, 2018 (JP) 2018-028392

(51) **LOC (12) Cl.** **23-01**

(52) **U.S. Cl.**
USPC **D23/238**

(58) **Field of Classification Search**
USPC D23/238-244, 252, 254, 255, 257;
D8/307-308
CPC F16K 31/602; F16K 31/605; F16K 31/607;
E03C 1/0412
See application file for complete search history.

Primary Examiner — Barbara Fox
Assistant Examiner — Jamaal Rasheed
(74) *Attorney, Agent, or Firm* — Banner & Witcoff, Ltd.

(57) **CLAIM**

The ornamental design for a faucet, as shown and described.

DESCRIPTION

(56) **References Cited**

U.S. PATENT DOCUMENTS

D325,424 S * 4/1992 Dannenberg D23/238
D458,345 S * 6/2002 Gottwald D23/252
D461,230 S * 8/2002 Ko D23/255
D491,638 S * 6/2004 Lin D23/255
D557,383 S * 12/2007 Garner D23/255
D567,907 S * 4/2008 Kohler, Jr. D23/238
D638,102 S * 5/2011 Obara D23/238
D713,511 S * 9/2014 Potter D23/257
D718,839 S * 12/2014 Garland D23/252
D721,792 S * 1/2015 McNinch D23/255

FIG. 1 is a perspective view of a faucet showing our new design;

FIG. 2 is a front view thereof;

FIG. 3 is a rear view thereof;

FIG. 4 is a left side view thereof;

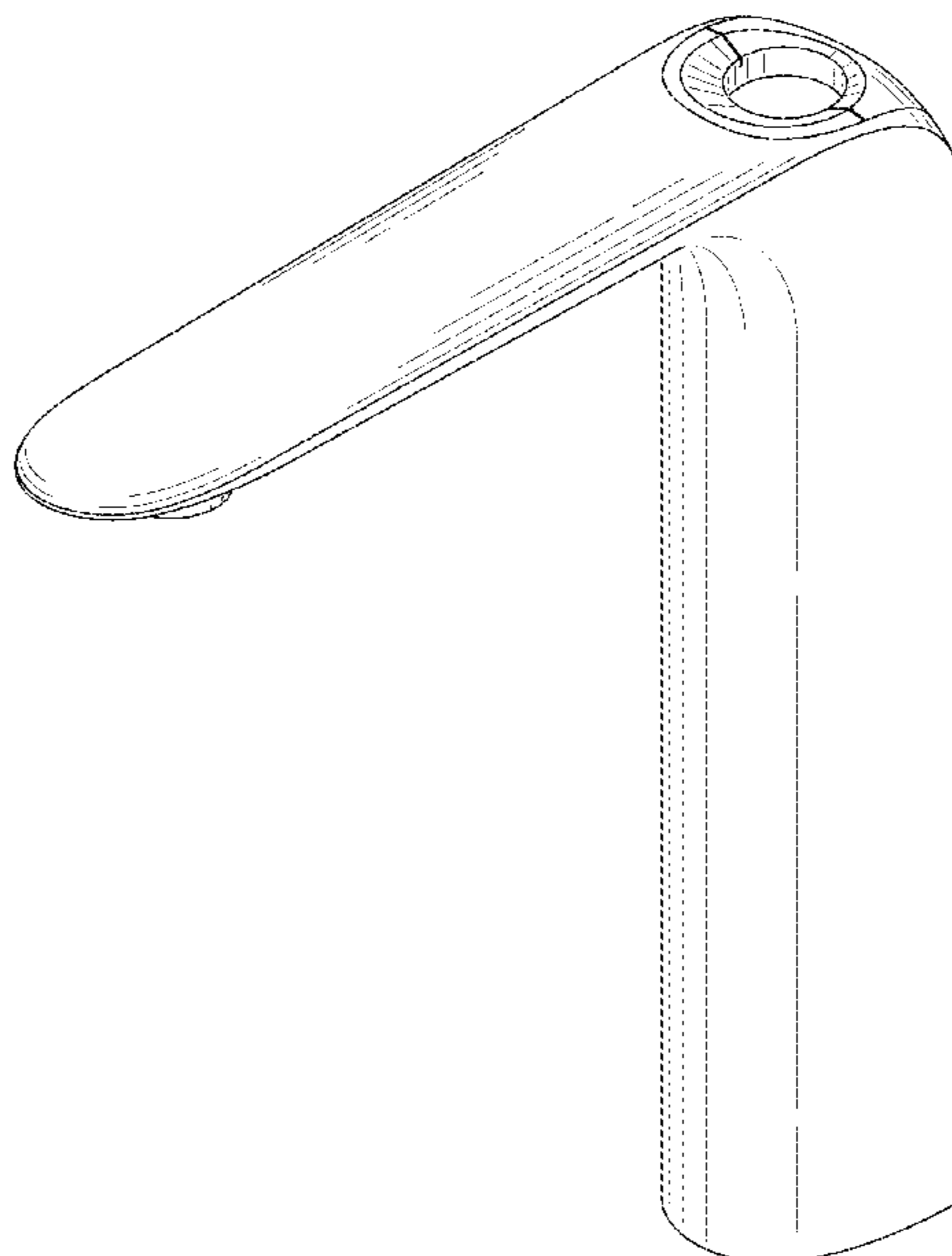
FIG. 5 is a right side view thereof;

FIG. 6 is a top view thereof; and,

FIG. 7 is a bottom view thereof.

The broken lines shown in the figures are included for the purpose of illustrating portions of the faucet that form no part of the claimed design.

1 Claim, 5 Drawing Sheets



(56)

References Cited

OTHER PUBLICATIONS

ZA Faucets, announced Date unavailable[online], [site visited Aug. 12, 2020]. Available from internet, URL:<<https://www.totousa.com/za-single-handle-faucet-vessel-12-gpm>> (Year: 2020).*

* cited by examiner

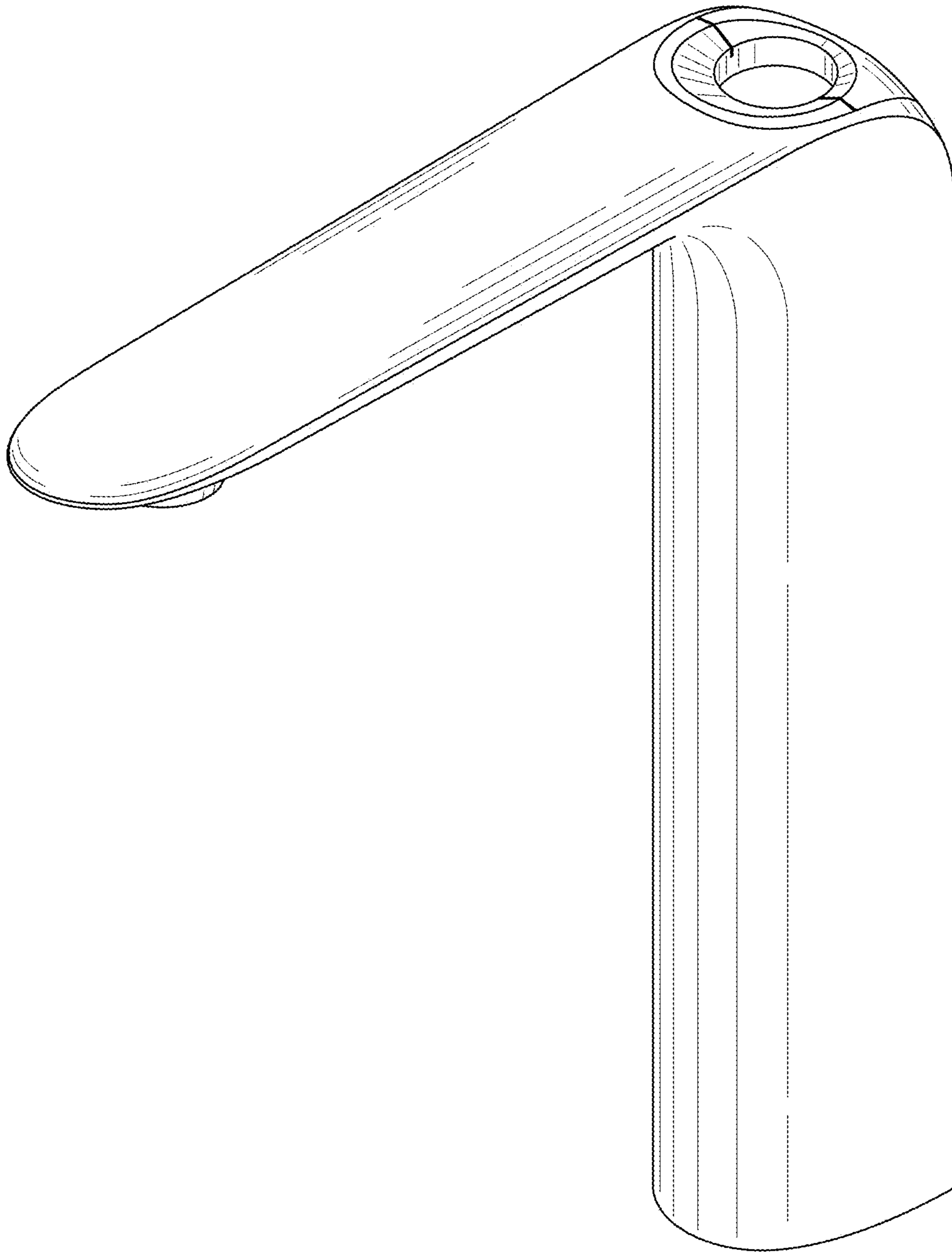


FIG. 1

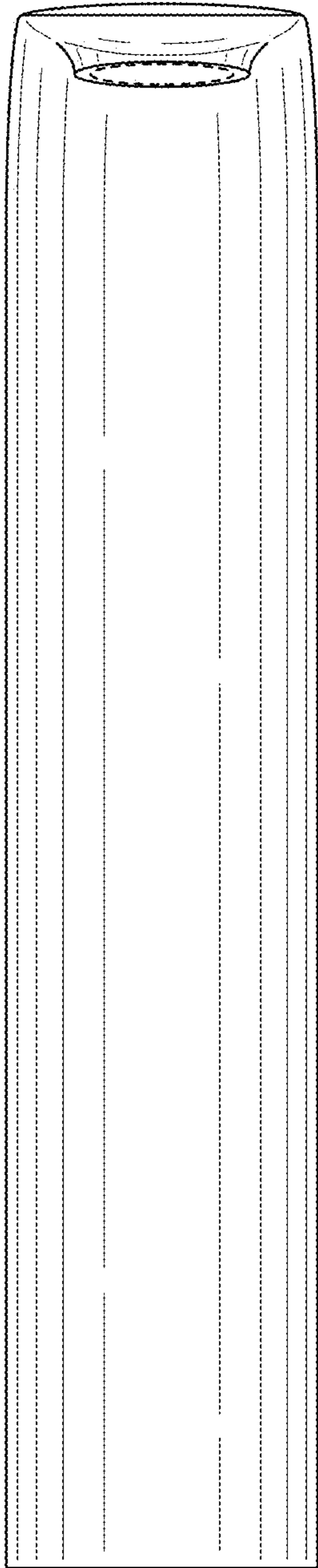


FIG. 2

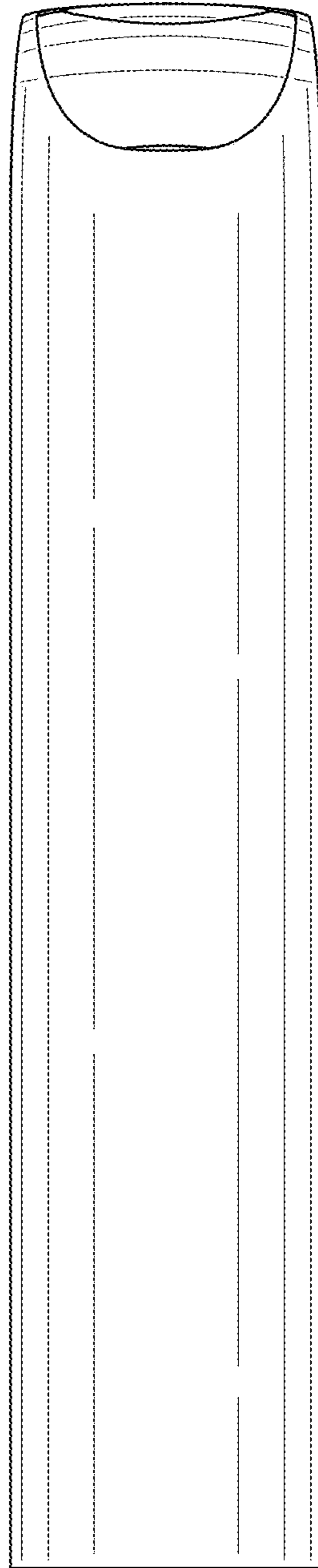


FIG. 3

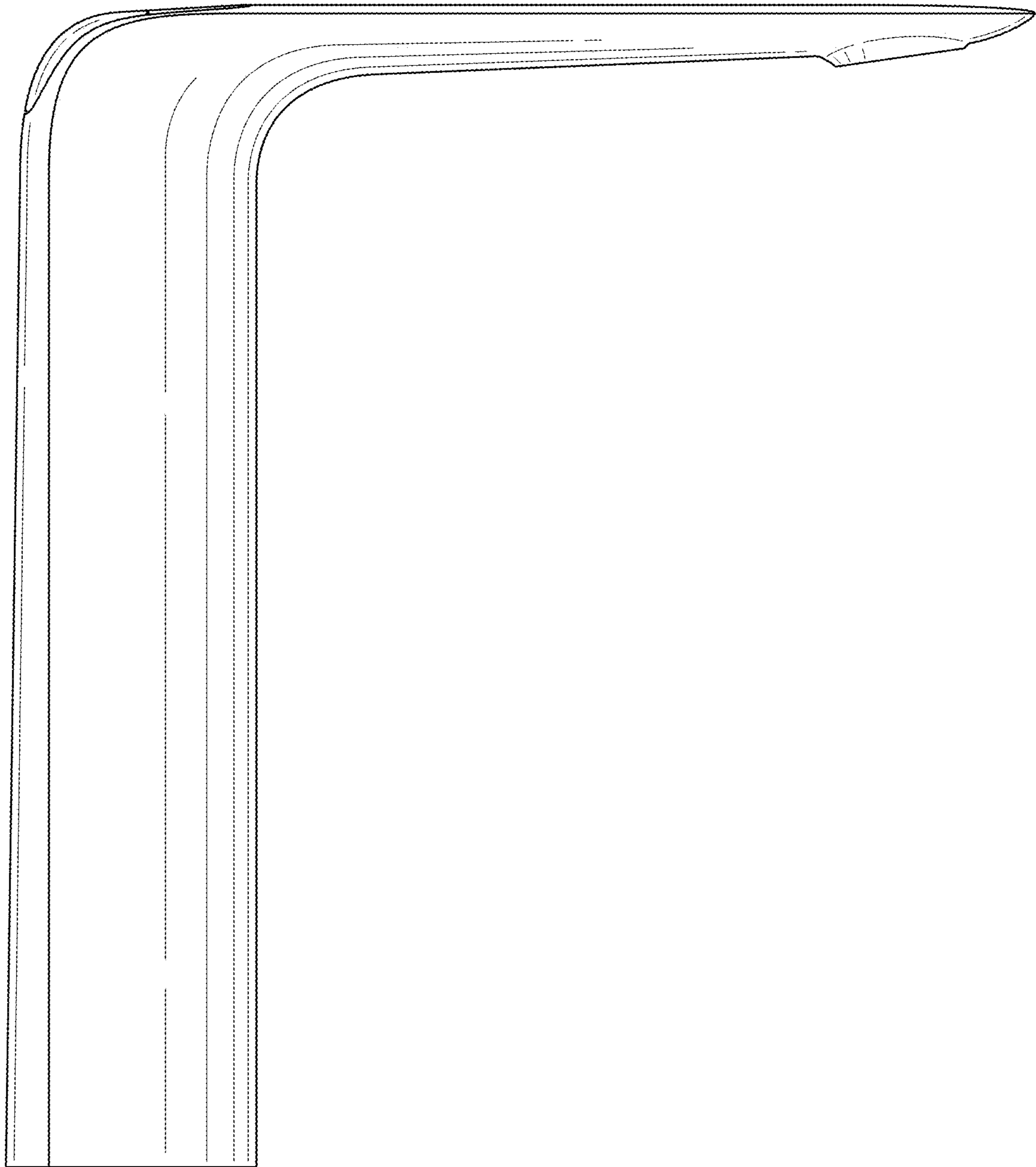


FIG. 4

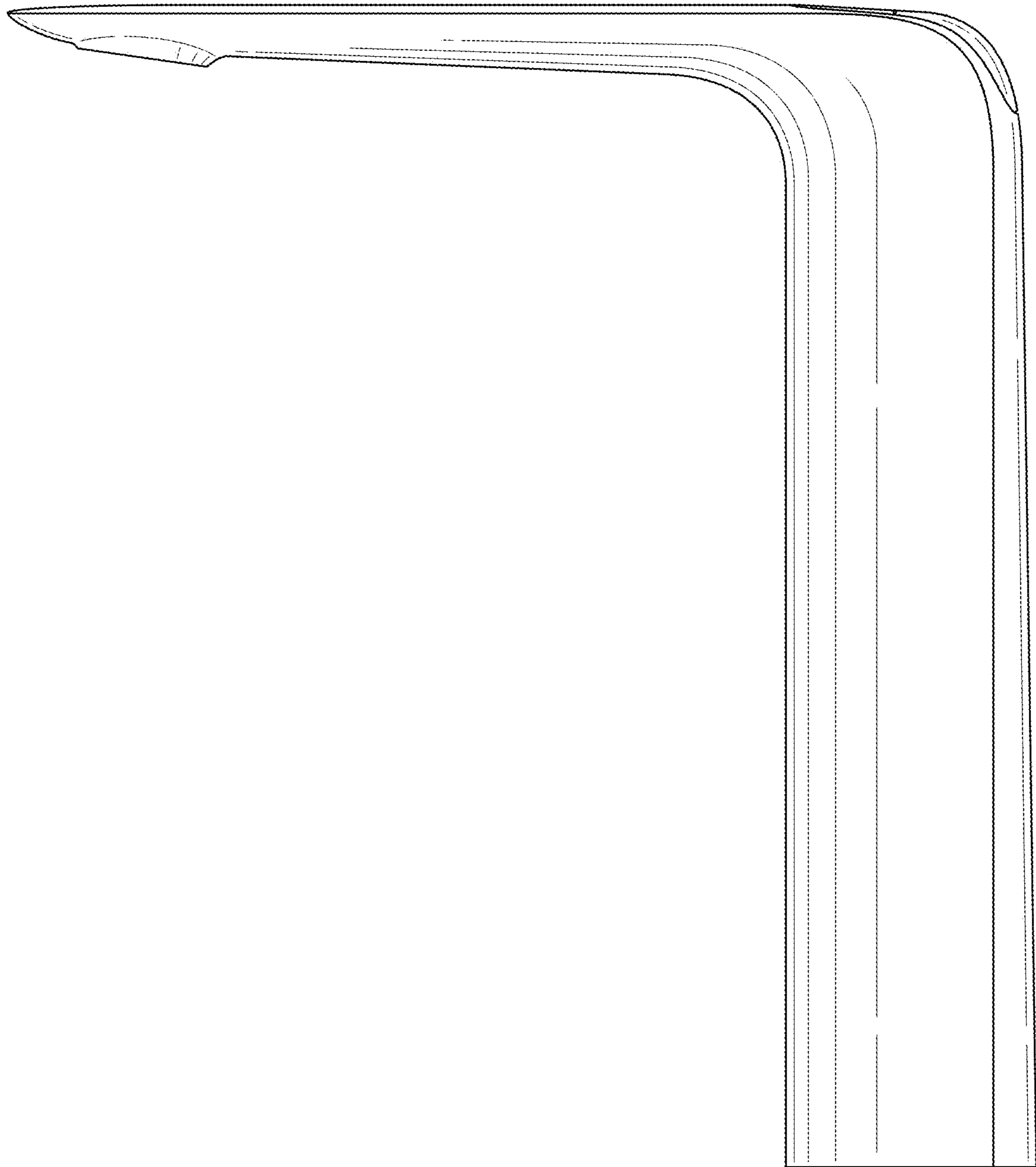


FIG. 5

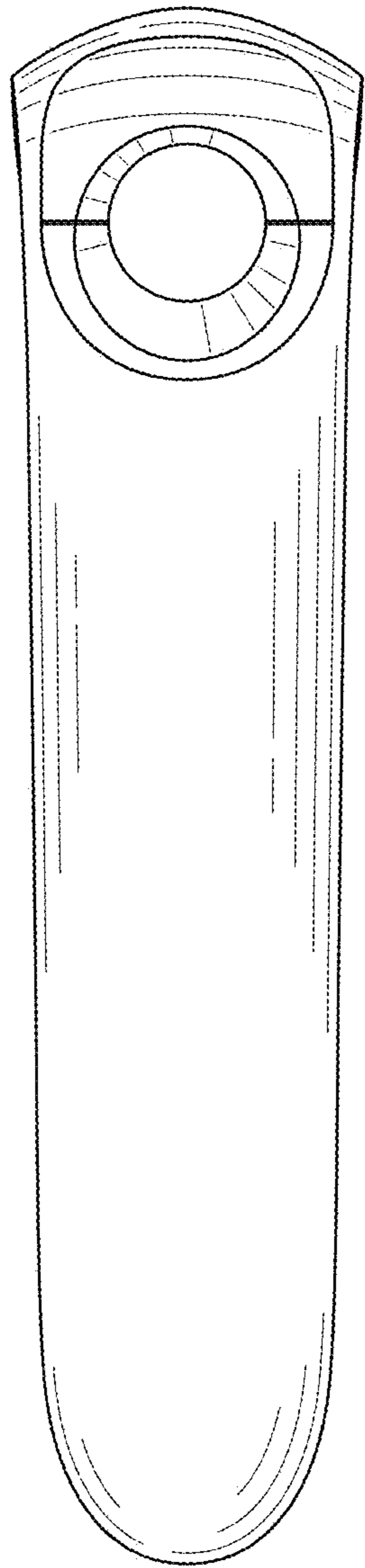


FIG. 6

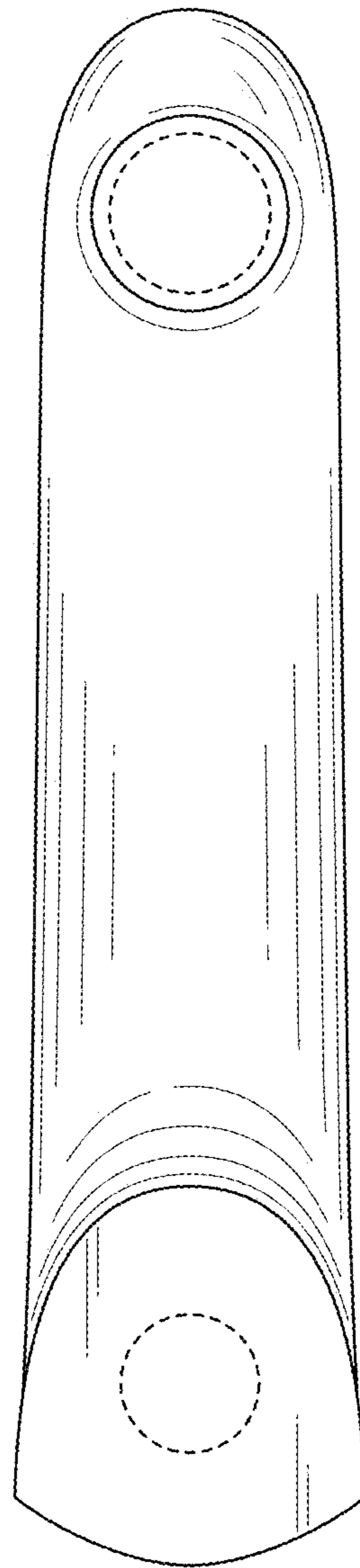


FIG. 7