



US00D903821S

(12) **United States Design Patent** (10) **Patent No.:** **US D903,821 S**
Takahashi et al. (45) **Date of Patent:** **** Dec. 1, 2020**

(54) **FAUCET**

(71) Applicant: **TOTO, Ltd.**, Kitakyushu (JP)

(72) Inventors: **Yasushi Takahashi**, Kitakyushu (JP);
Shogo Takayama, Kitakyushu (JP);
Takanori Shimazoe, Kitakyushu (JP);
Kanako Fukuoka, Kitakyushu (JP);
Tomohiro Miyazaki, Kitakyushu (JP);
Mark Sydavong, Singapore (SG)

(73) Assignee: **TOTO Ltd.**, Kitakyushu (JP)

(**) Term: **15 Years**

(21) Appl. No.: **29/682,892**

(22) Filed: **Mar. 8, 2019**

(30) **Foreign Application Priority Data**

Dec. 27, 2018 (JP) 2018-028778

(51) **LOC (12) Cl.** **23-01**

(52) **U.S. Cl.**
USPC **D23/238**

(58) **Field of Classification Search**
USPC D23/238-244 L, 252, 254, 255, 257;
D8/307-308
CPC F16K 31/602; F16K 31/605; F16K 31/607;
E03C 1/0412
See application file for complete search history.

(56) **References Cited**

U.S. PATENT DOCUMENTS

D325,424 S * 4/1992 Dannenberg D23/238
D458,345 S * 6/2002 Gottwald D23/252
D461,230 S * 8/2002 Ko D23/255
D491,638 S * 6/2004 Lin D23/255
D557,383 S * 12/2007 Garner D23/255
D567,907 S * 4/2008 Kohler, Jr. D23/238
D638,102 S * 5/2011 Obara D23/238

D713,511 S * 9/2014 Potter D23/257
D718,839 S * 12/2014 Garland D23/252
D721,792 S * 1/2015 McNinch D23/255
D793,539 S * 8/2017 Fritz D23/255
D805,607 S * 12/2017 Streng D23/240
D809,629 S * 2/2018 Streng D23/240

FOREIGN PATENT DOCUMENTS

CN 303597469 * 9/2015
CN 304006903 * 6/2016

OTHER PUBLICATIONS

Bathroom Faucet 3, announced Date Feb. 13, 2018[online], [site visited Aug. 5, 2020]. Available from internet, URL:<<https://www.amazon.com/Peerless-P3519LF-BN-Widespread-Bathroom-Brushed/dp/B079SW7HF4>> (Year: 2018).*

(Continued)

Primary Examiner — Barbara Fox
Assistant Examiner — Jamaal Rasheed
(74) *Attorney, Agent, or Firm* — Banner & Witcoff, Ltd.

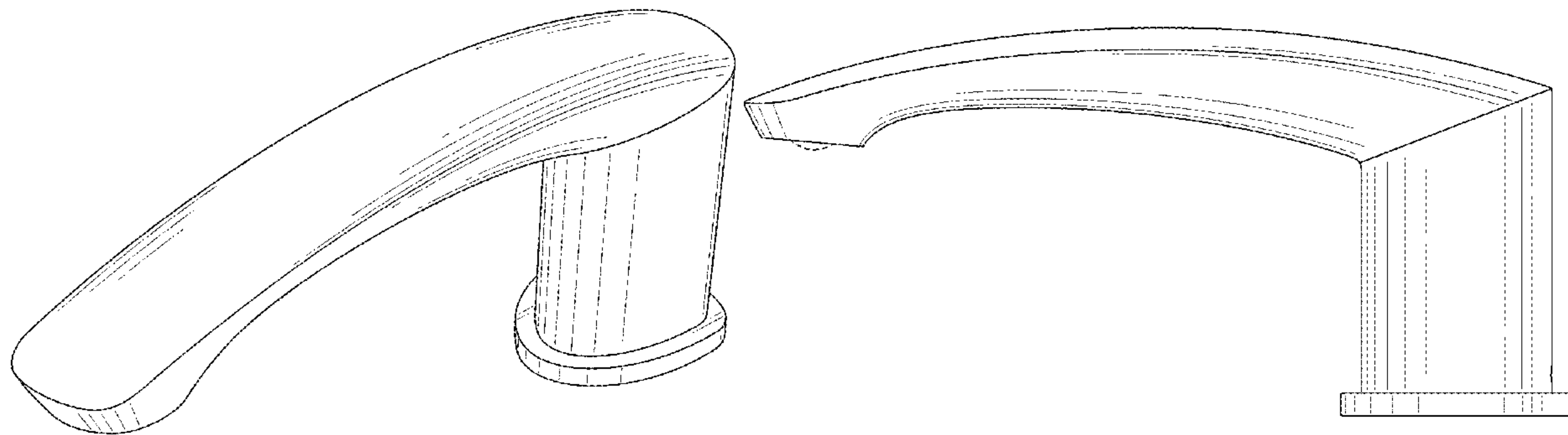
(57) **CLAIM**

The ornamental design for a faucet, as shown and described.

DESCRIPTION

FIG. 1 is a perspective view of a faucet showing our new design;
FIG. 2 is a front view thereof;
FIG. 3 is a rear view thereof;
FIG. 4 is a left side view thereof;
FIG. 5 is a right side view thereof;
FIG. 6 is a top view thereof; and,
FIG. 7 is a bottom view thereof.
The broken lines shown in the figures are included for the purpose of illustrating portions of the faucet that form no part of the claimed design.

1 Claim, 4 Drawing Sheets



(56)

References Cited

OTHER PUBLICATIONS

GM widespread Faucet, announced Date unavailable[online], [site visited Aug. 12, 2020]. Available from internet, URL:<<https://www.totousa.com/gm-widespread-faucet-12-gpm>> (Year: 2020).*

* cited by examiner

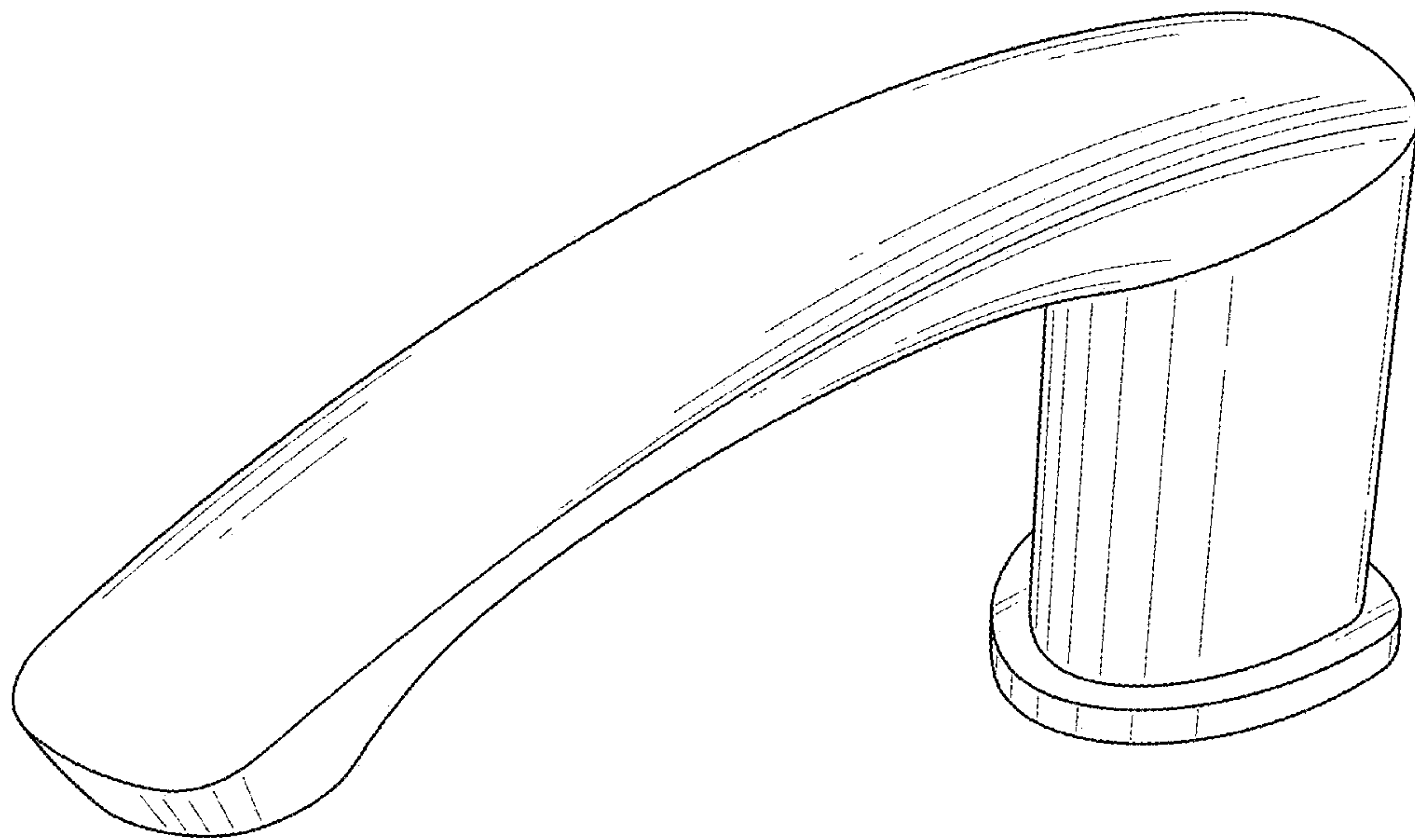


FIG. 1

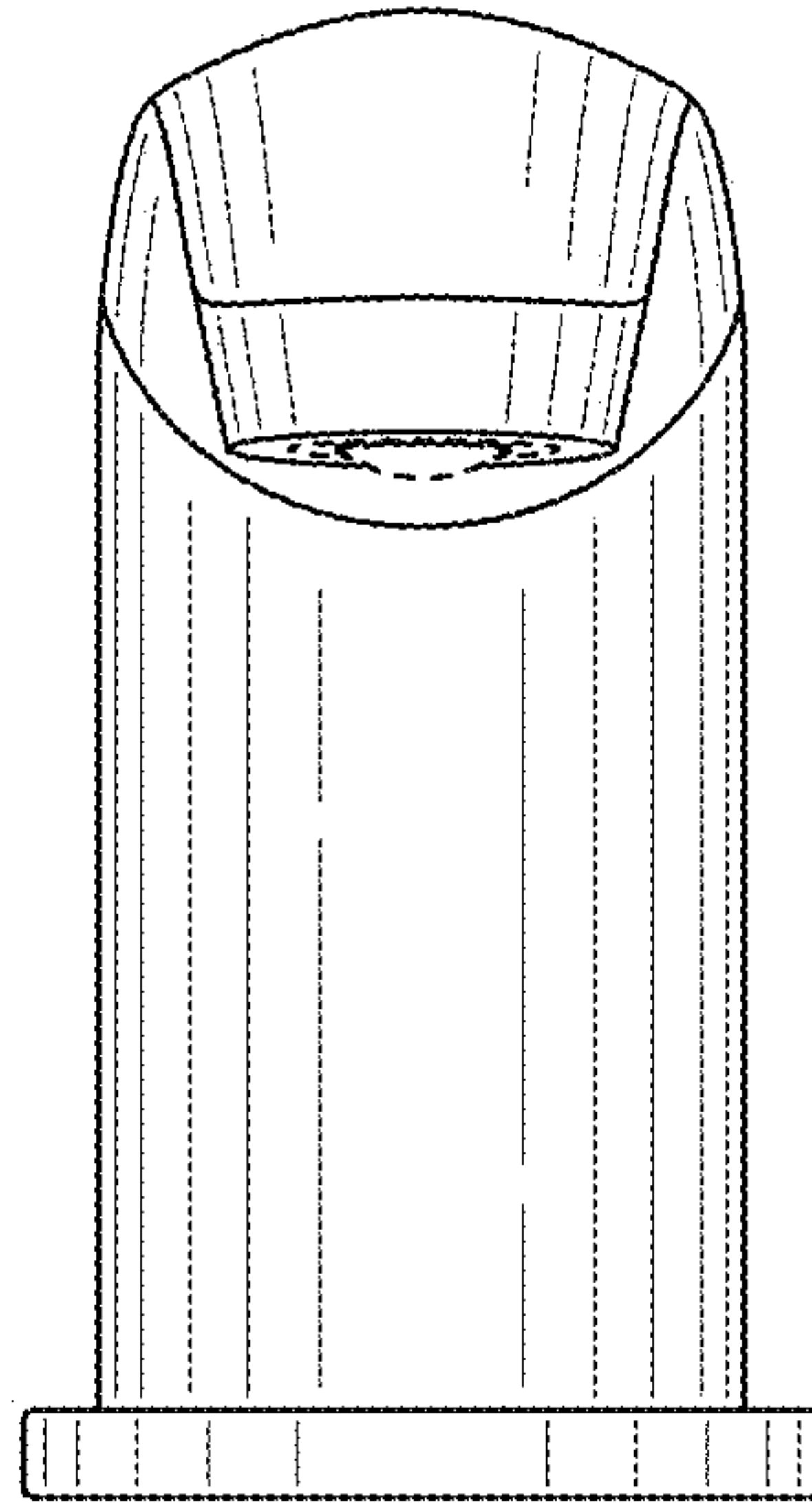


FIG. 2

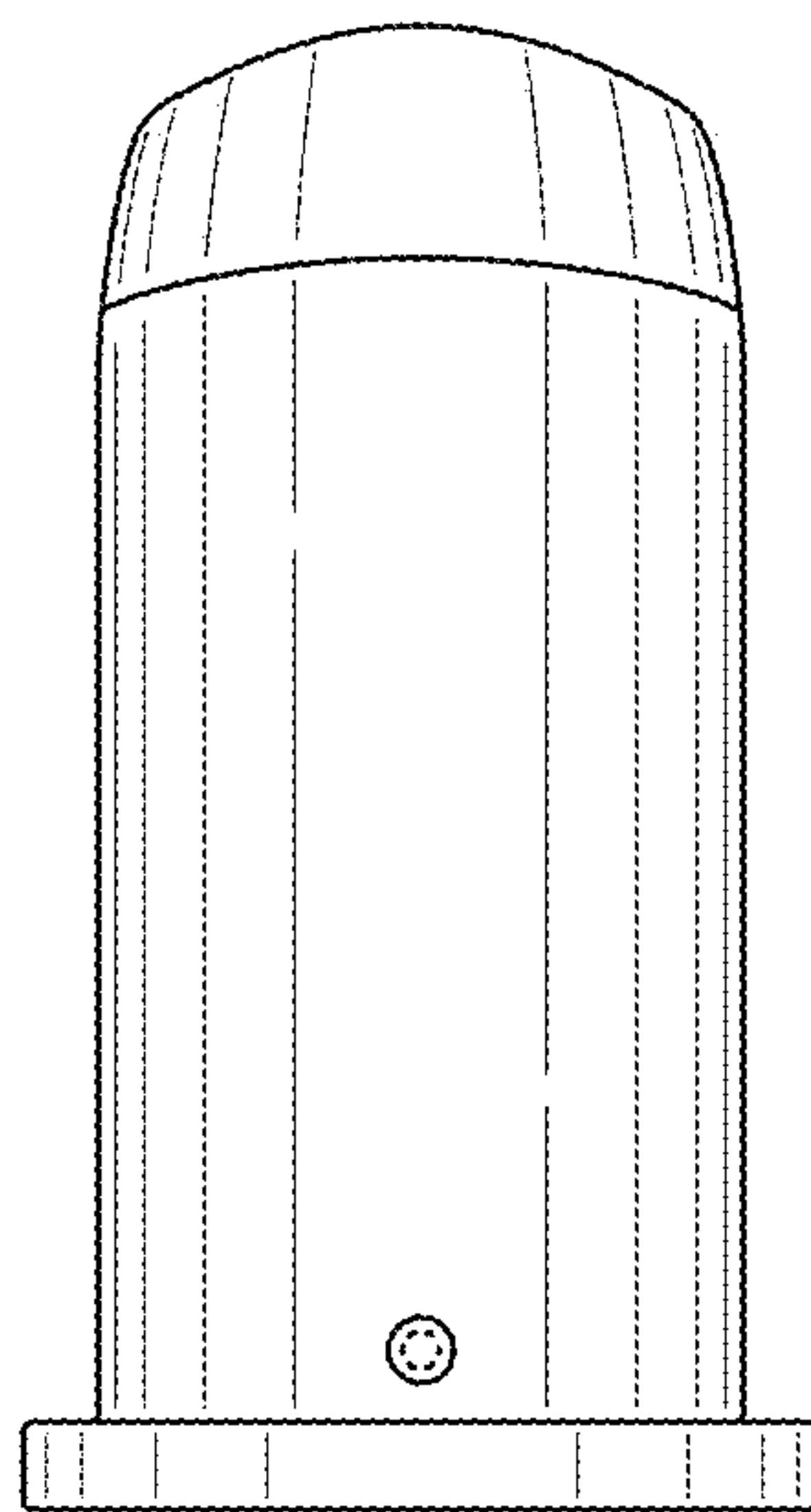


FIG. 3

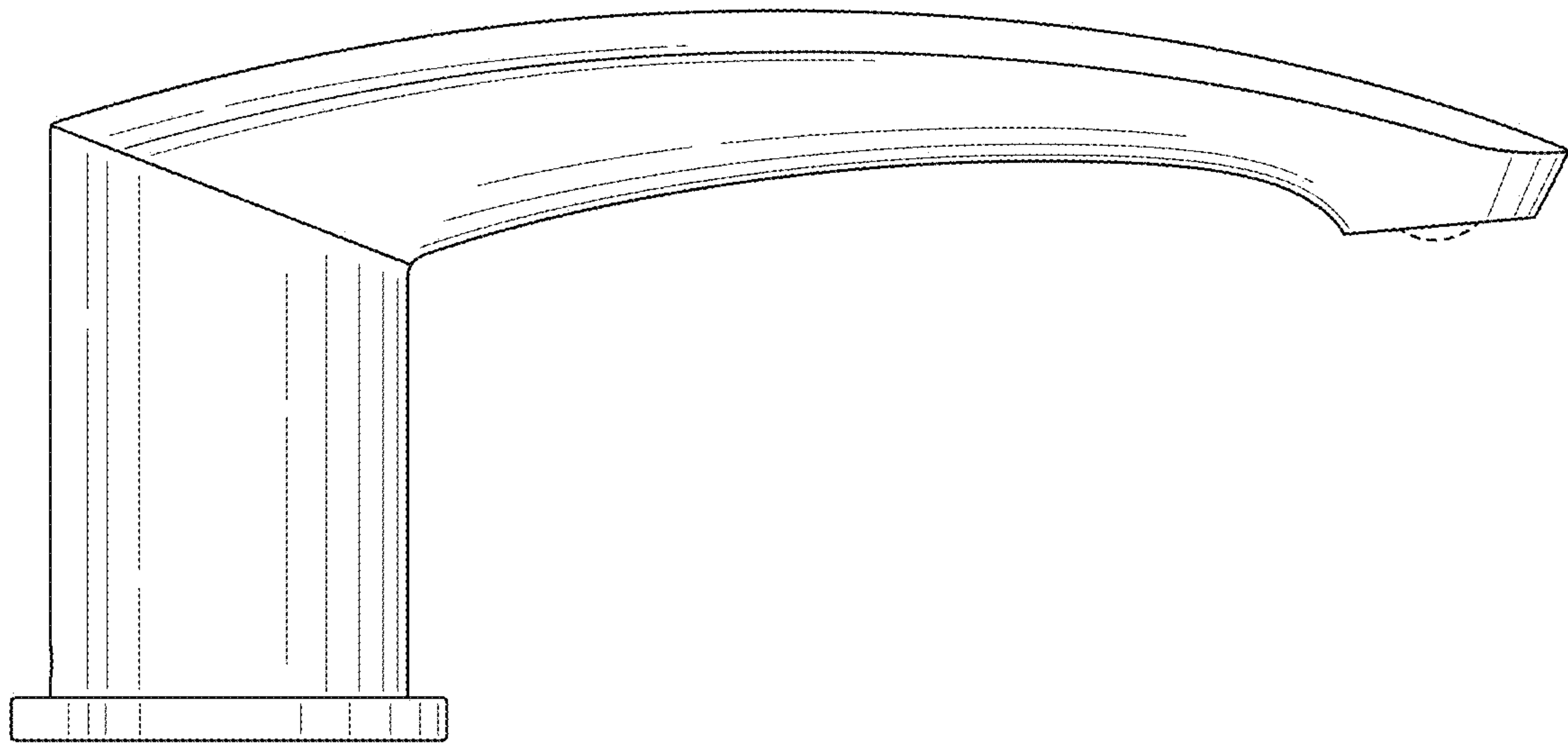


FIG. 4

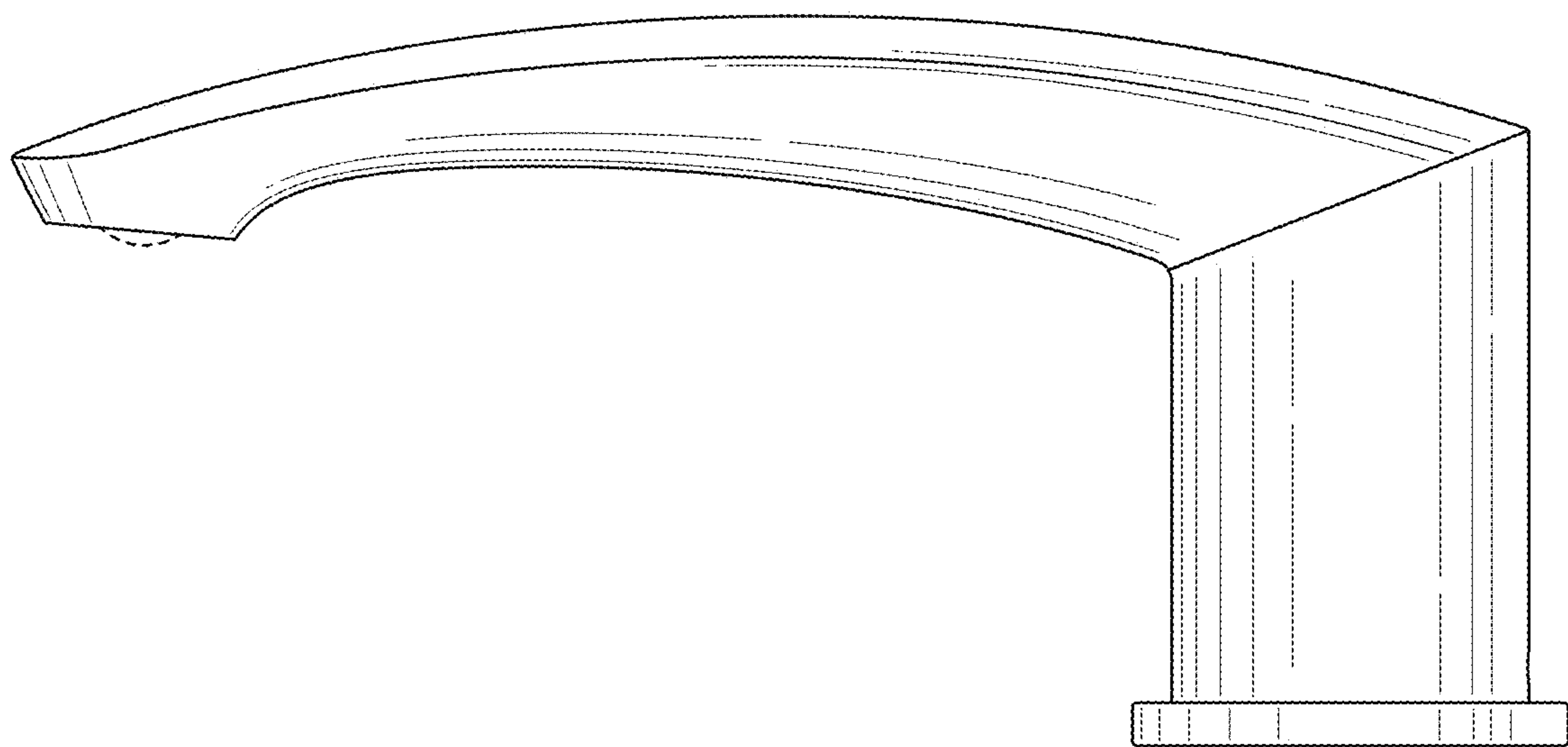


FIG. 5

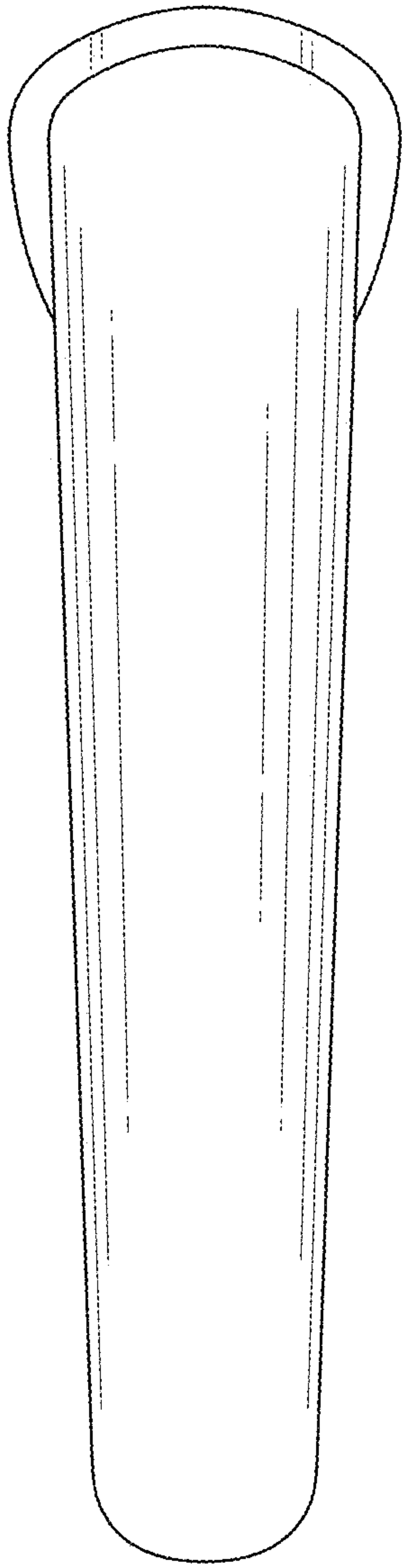


FIG. 6

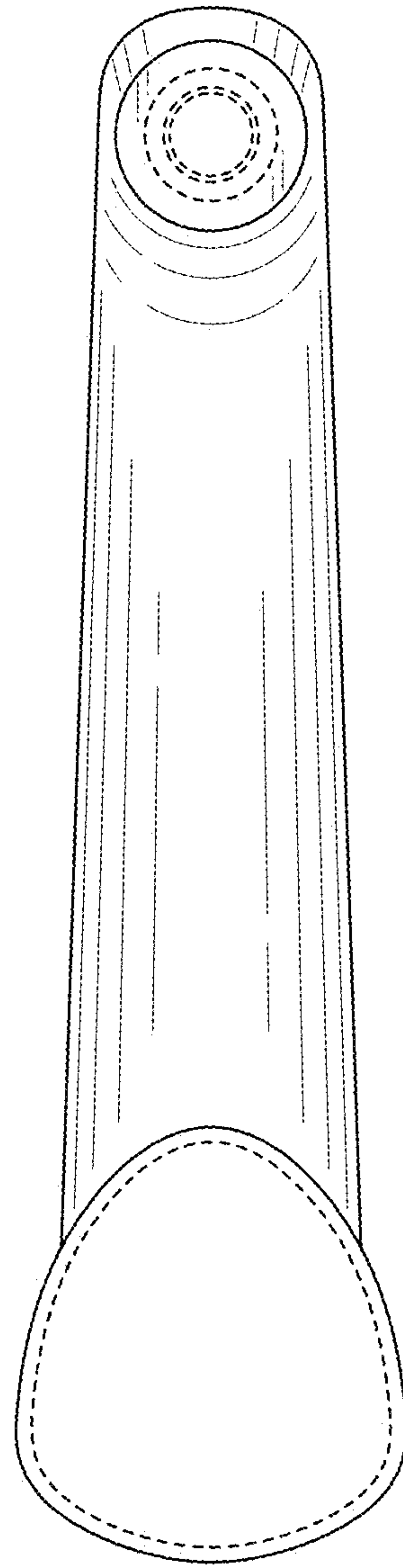


FIG. 7