



US00D903820S

(12) **United States Design Patent**
Takahashi et al.

(10) **Patent No.:** **US D903,820 S**

(45) **Date of Patent:** **** Dec. 1, 2020**

(54) **FAUCET HANDLE**

(71) Applicant: **TOTO, Ltd.**, Kitakyushu (JP)

(72) Inventors: **Yasushi Takahashi**, Kitakyushu (JP);
Shogo Takayama, Kitakyushu (JP);
Takanori Shimazoe, Kitakyushu (JP);
Kanako Fukuoka, Kitakyushu (JP);
Tomohiro Miyazaki, Kitakyushu (JP);
Mark Sydavong, Singapore (SG)

(73) Assignee: **TOTO Ltd.**, Kitakyushu (JP)

(**) Term: **15 Years**

(21) Appl. No.: **29/682,891**

(22) Filed: **Mar. 8, 2019**

(30) **Foreign Application Priority Data**

Dec. 27, 2018 (JP) 2018-028779

(51) **LOC (12) Cl.** **23-01**

(52) **U.S. Cl.**
USPC **D23/238**

(58) **Field of Classification Search**
USPC D23/238-245, 249, 252, 254;
D8/307-308

CPC Y10T 137/9464
See application file for complete search history.

(56) **References Cited**

U.S. PATENT DOCUMENTS

D390,922 S *	2/1998	Oswaks	D23/252
D424,175 S *	5/2000	Fabian	D23/252
D434,121 S *	11/2000	Donath, Jr.	D23/250
D443,034 S *	5/2001	Spangler	D23/252
D531,272 S *	10/2006	Lord	D23/252
D586,432 S *	2/2009	Schoenherr	D23/252
D586,885 S *	2/2009	Schoenherr	D23/252
D639,912 S *	6/2011	Schoenherr	D23/252
D640,350 S *	6/2011	Schoenherr	D23/252
D694,372 S *	11/2013	Starck	D23/250

D713,014 S *	9/2014	Schoenherr	D23/252
D740,394 S *	10/2015	Flowers	D23/252
D757,225 S *	5/2016	Schoenherr	D23/252
D760,359 S *	6/2016	Citterio	D23/252
D809,629 S *	2/2018	Streng	D23/240
D835,758 S *	12/2018	Schoenherr	D23/252

FOREIGN PATENT DOCUMENTS

WO	D202302-009	*	3/2019
WO	D202302-013	*	3/2019

OTHER PUBLICATIONS

Single Handle Faucet, announced Nov. 27, 2019[online], [site visited Sep. 1, 2020]. Available from internet, URL:<<https://www.amazon.com/BWE-Bathroom-Waterfall-Single-Handle-Commercial/dp/B08229T87Z>> (Year: 2019).*

* cited by examiner

Primary Examiner — Barbara Fox

Assistant Examiner — Jamaal Rasheed

(74) *Attorney, Agent, or Firm* — Banner & Witcoff, Ltd.

(57) **CLAIM**

The ornamental design for a faucet handle, as shown and described.

DESCRIPTION

FIG. 1 is a perspective view of a faucet handle showing our new design;

FIG. 2 is a front view thereof;

FIG. 3 is a rear view thereof;

FIG. 4 is a left side view thereof;

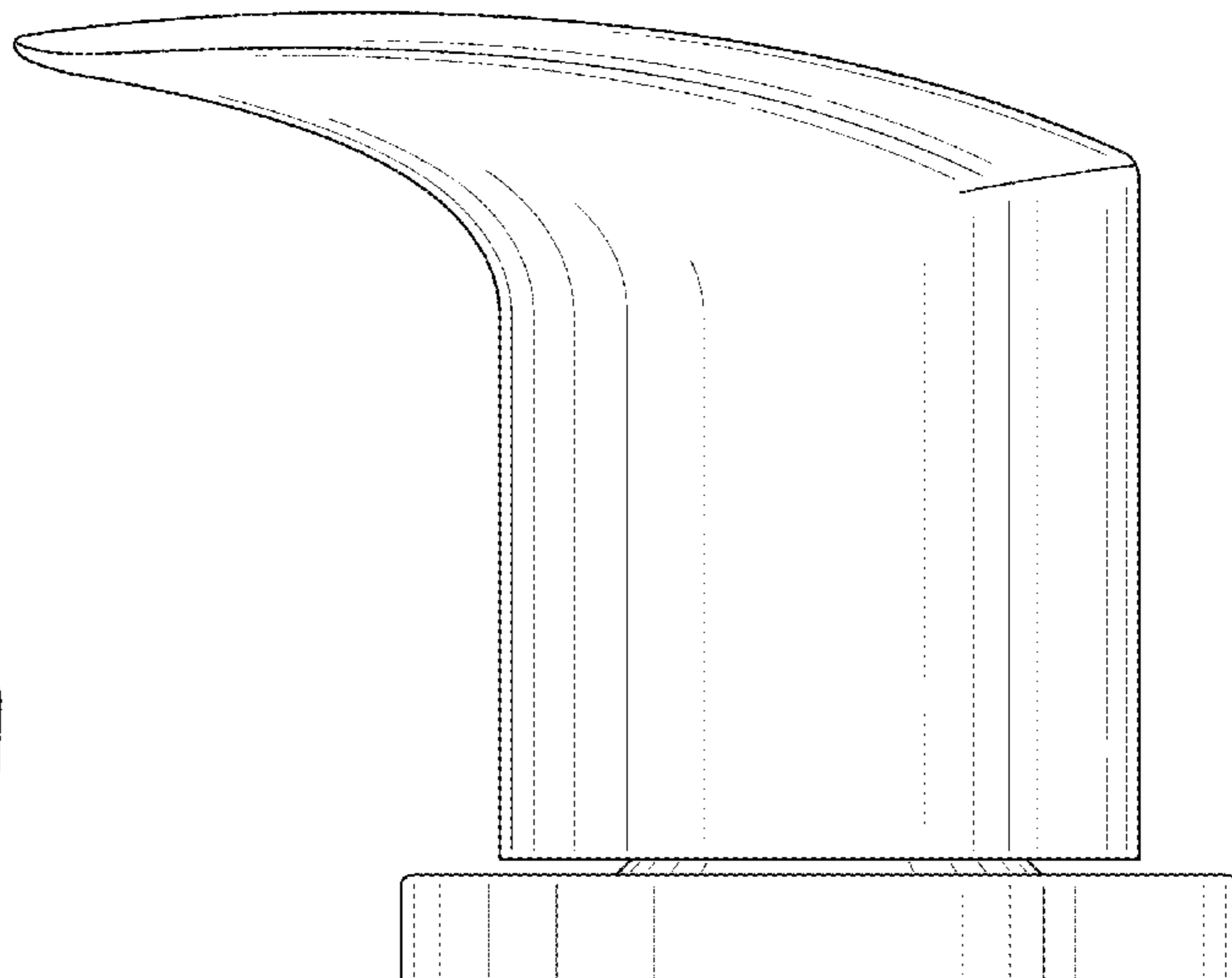
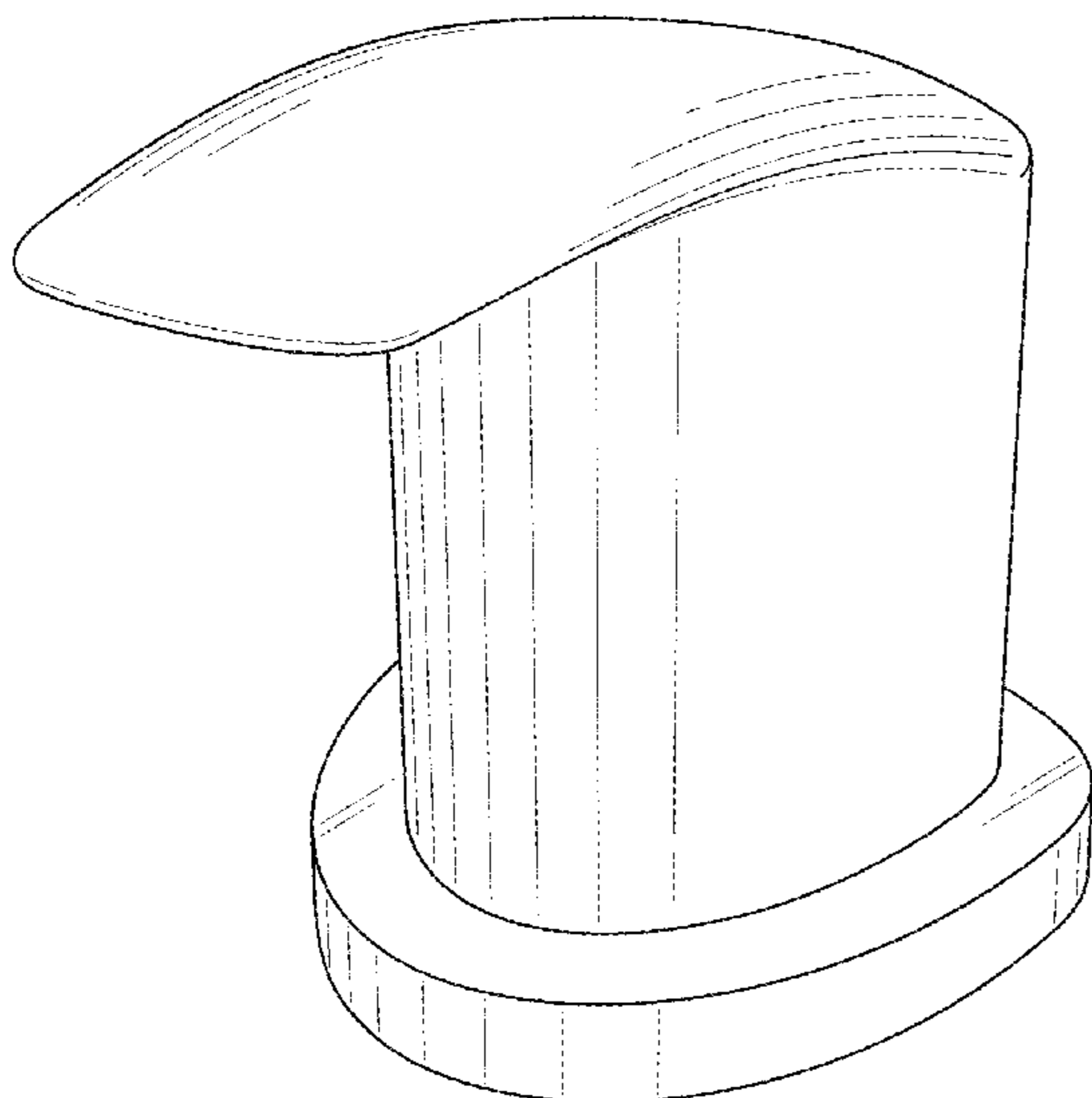
FIG. 5 is a right side view thereof;

FIG. 6 is a top view thereof; and,

FIG. 7 is a bottom view thereof.

The broken lines shown in the figures are included for the purpose of illustrating portions of the faucet handle that form no part of the claimed design.

1 Claim, 7 Drawing Sheets



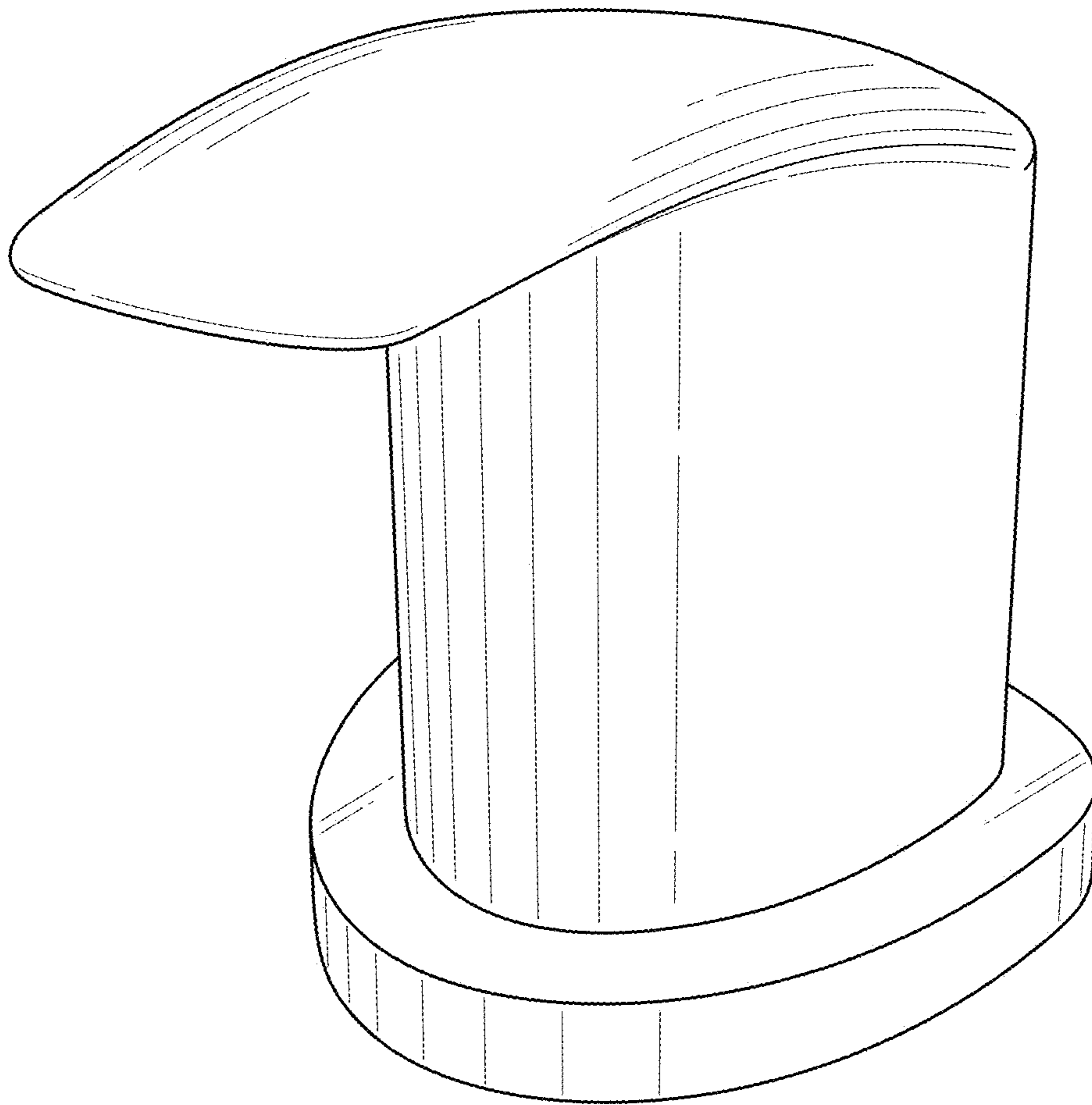


FIG. 1

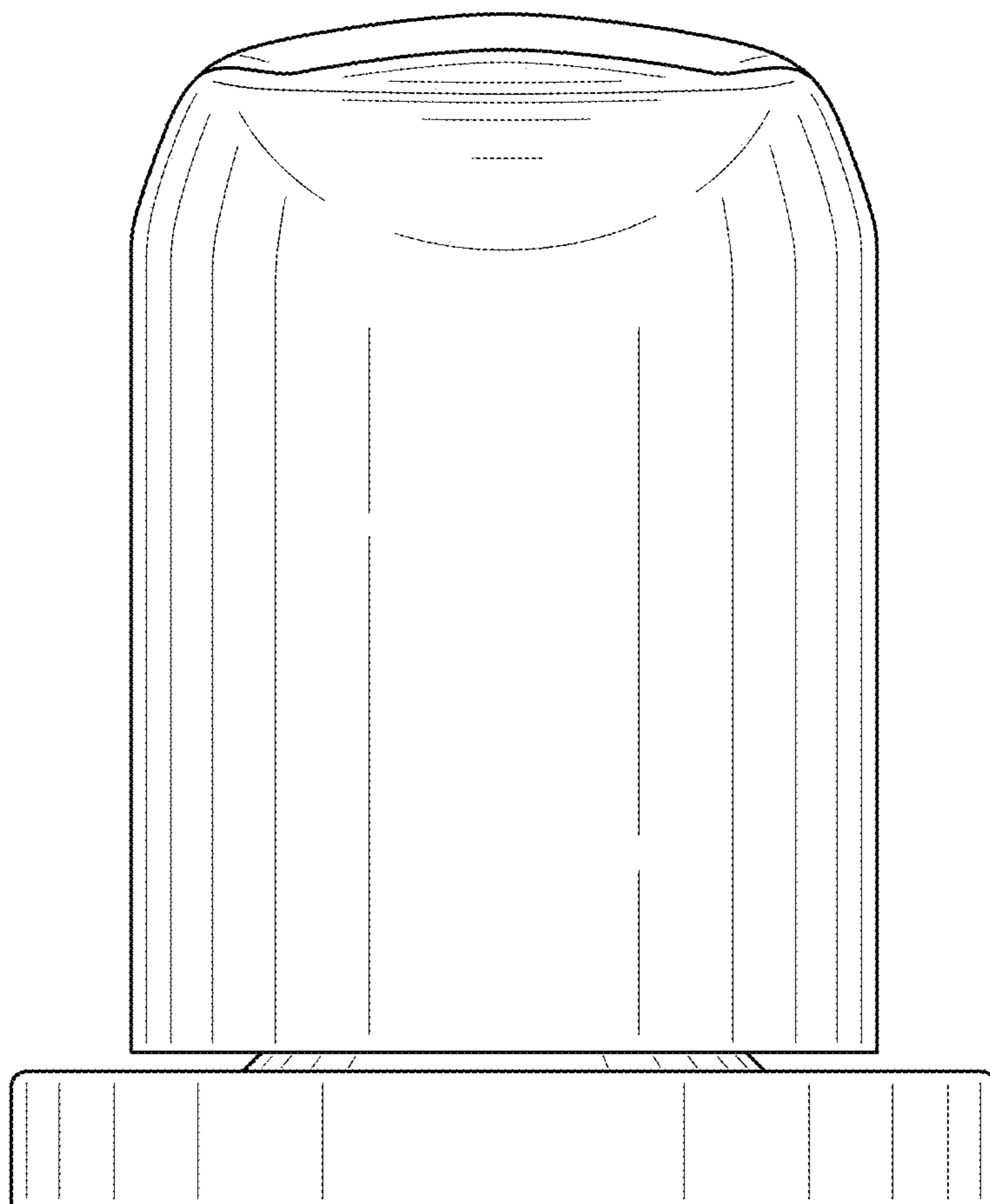


FIG. 2

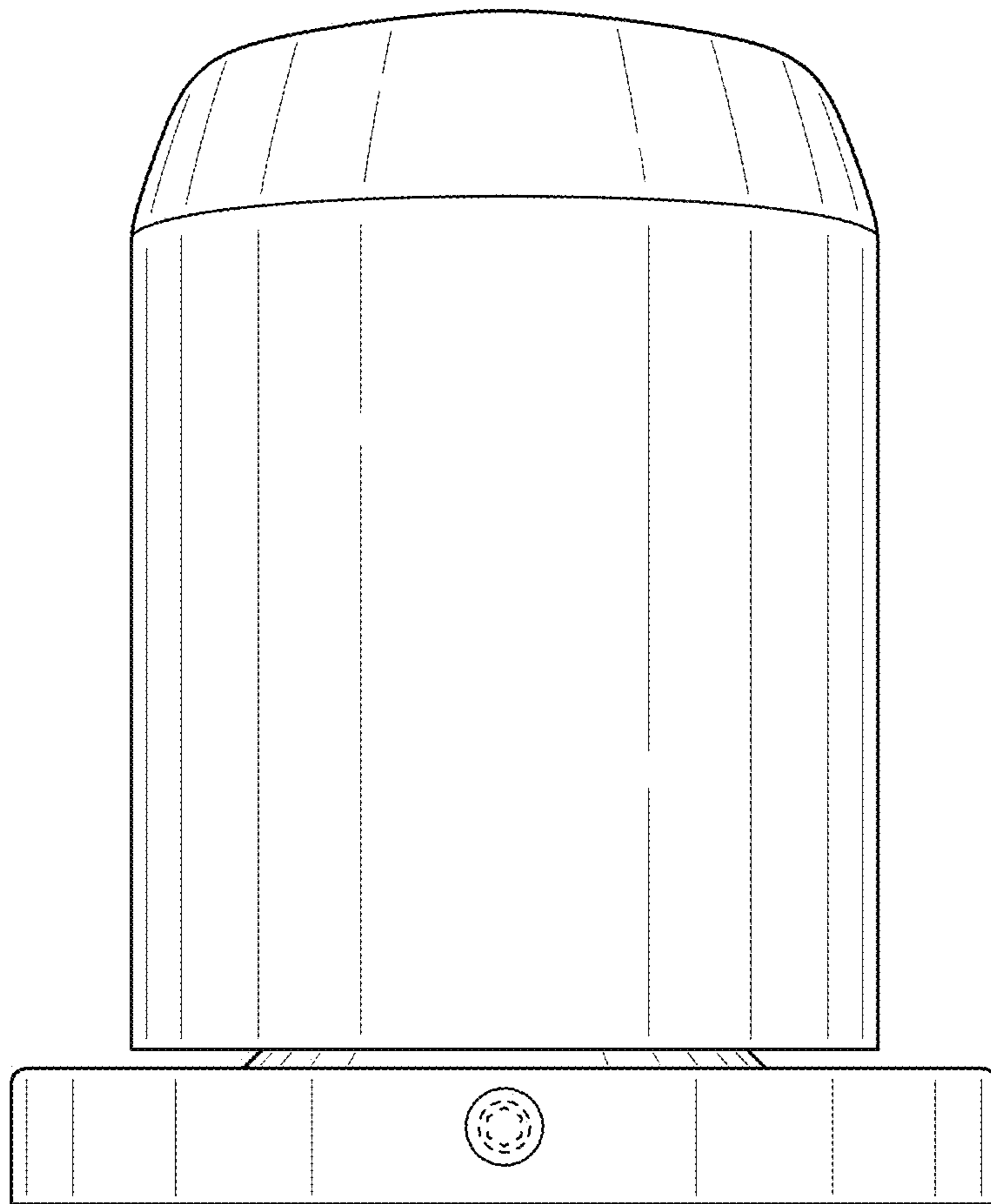


FIG. 3

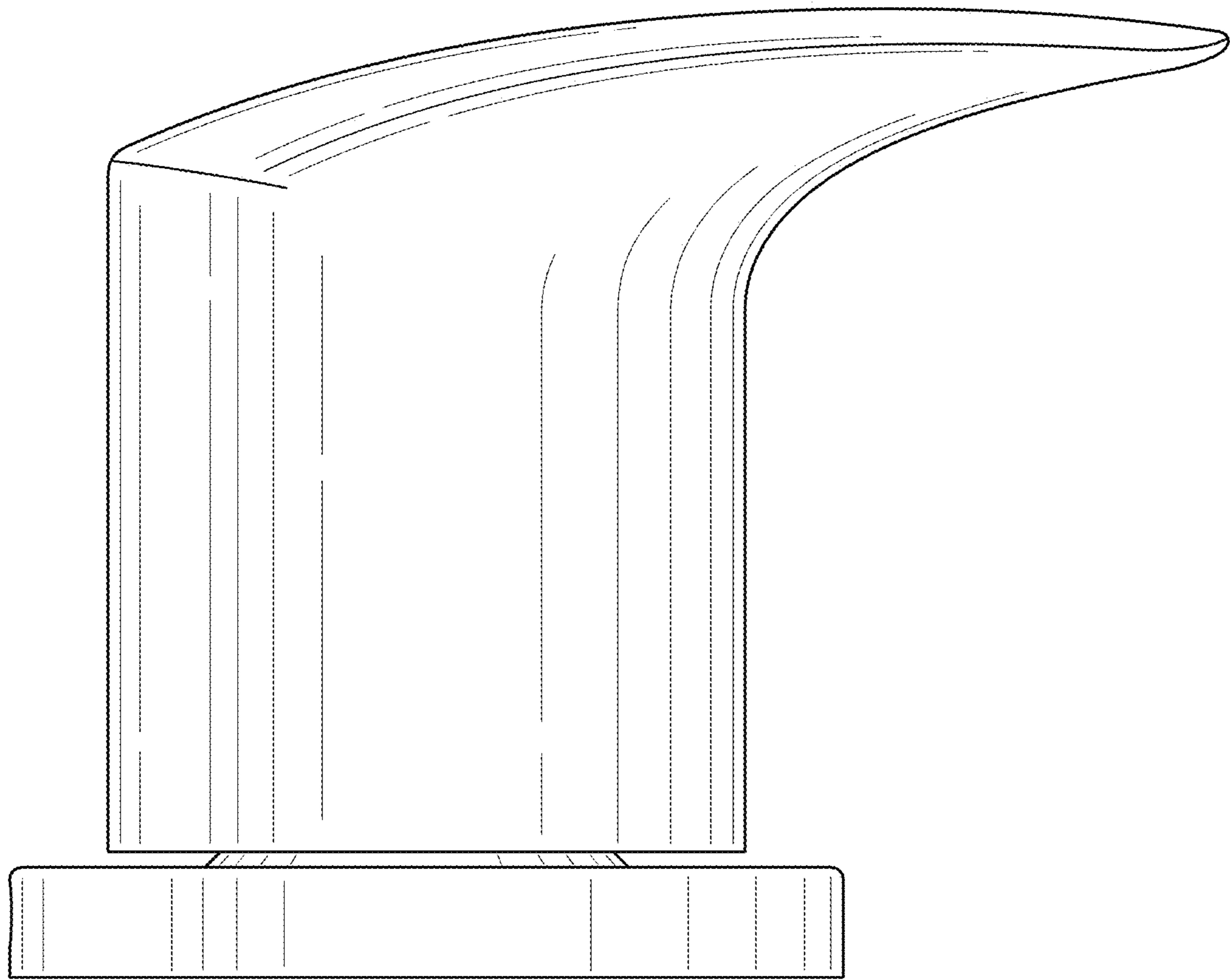


FIG. 4

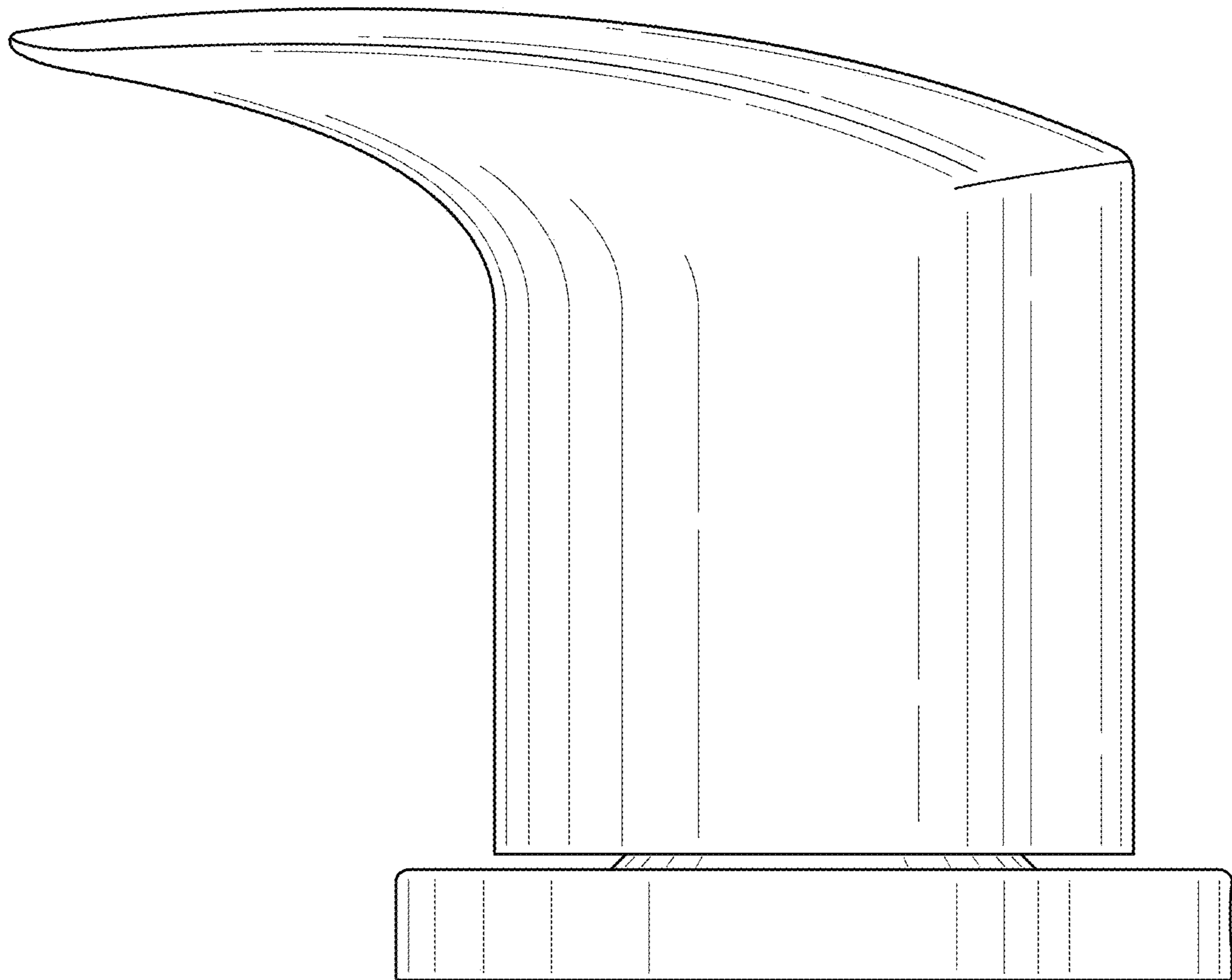


FIG. 5

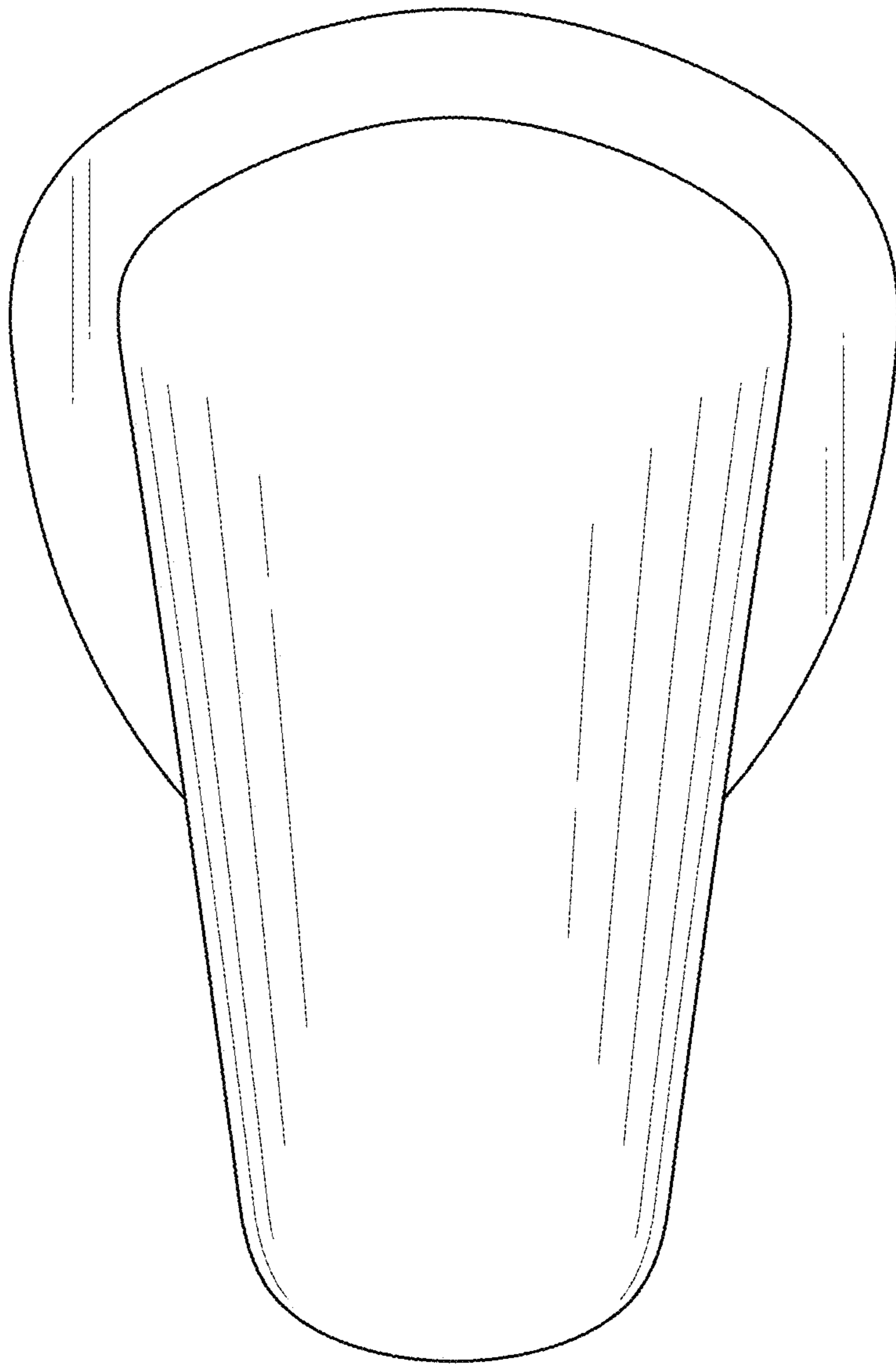


FIG. 6

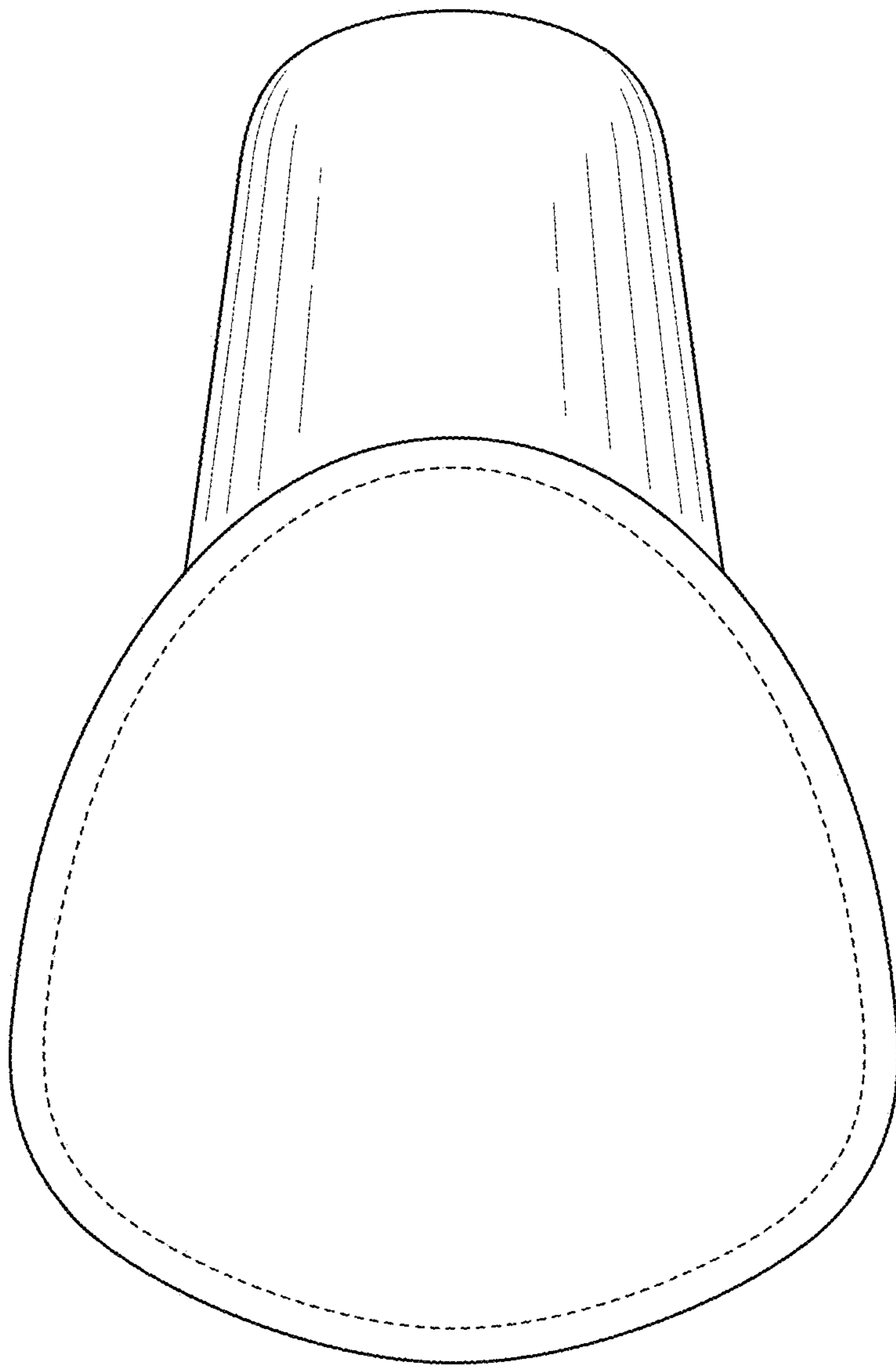


FIG. 7