



US00D903819S

(12) **United States Design Patent**
Tomiya et al.

(10) **Patent No.:** **US D903,819 S**
(45) **Date of Patent:** **** Dec. 1, 2020**

(54) **FAUCET HANDLE**

(71) Applicant: **TOTO, Ltd.**, Kitakyushu (JP)
(72) Inventors: **Keishi Tomiya**, Kitakyushu (JP);
Takanori Shimazoe, Kitakyushu (JP)

(73) Assignee: **TOTO Ltd.**, Kitakyushu (JP)

(**) Term: **15 Years**

(21) Appl. No.: **29/682,886**

(22) Filed: **Mar. 8, 2019**

(30) **Foreign Application Priority Data**

Dec. 26, 2018 (JP) 2018-028389

(51) **LOC (12) Cl.** **23-01**

(52) **U.S. Cl.**
USPC **D23/238; D23/252**

(58) **Field of Classification Search**
USPC D23/238–245, 249, 252, 254;
D8/307–308
CPC F16K 31/602; F16K 31/605; F16K 31/607;
E03C 1/0412; Y10T 137/9464
See application file for complete search history.

(56) **References Cited**

U.S. PATENT DOCUMENTS

D484,574 S * 12/2003 Spangler D23/252
D599,439 S * 9/2009 Miyamoto D23/238
D692,539 S * 10/2013 Gessi D23/238
D811,544 S * 2/2018 Takayama D23/252

FOREIGN PATENT DOCUMENTS

CN 304941227 * 4/2018
CN 305612443 * 8/2019
WO D202302-004 * 3/2019

* cited by examiner

Primary Examiner — Barbara Fox

Assistant Examiner — Jamaal Rasheed

(74) *Attorney, Agent, or Firm* — Banner & Witcoff, Ltd.

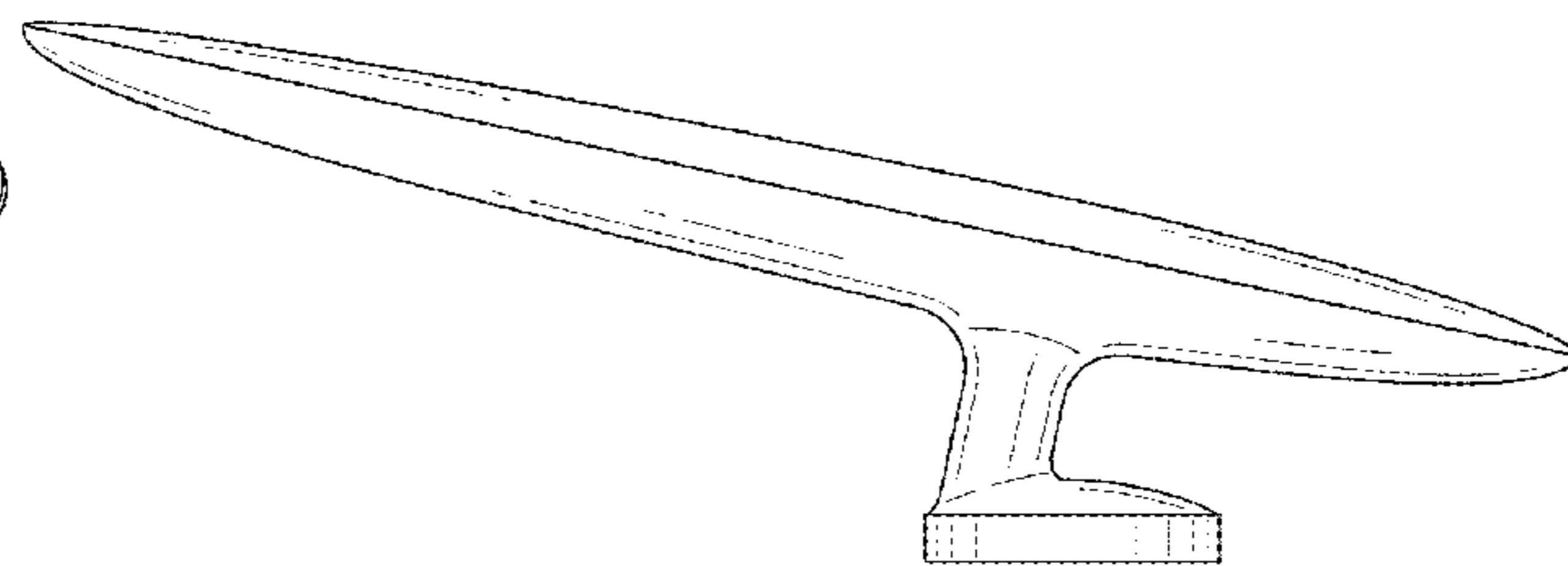
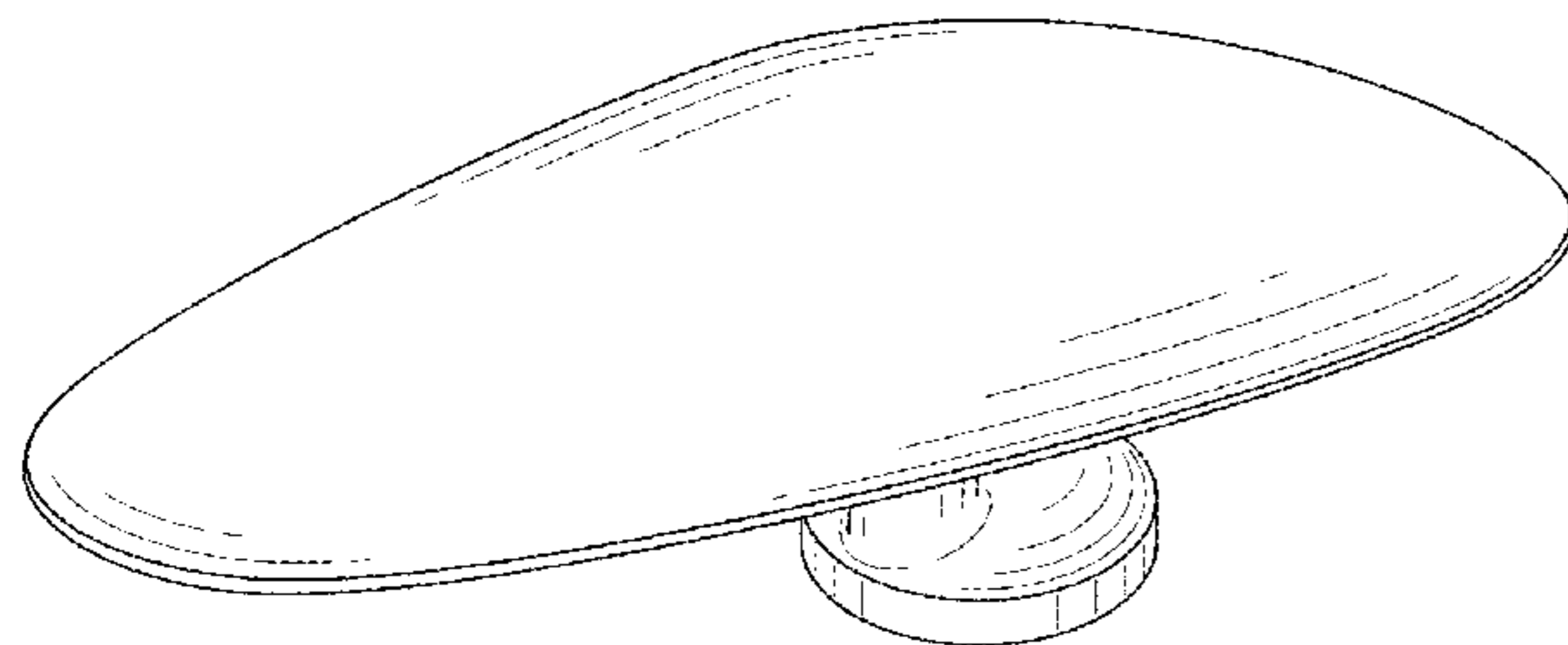
(57) **CLAIM**

The ornamental design for a faucet handle, as shown and described.

DESCRIPTION

FIG. 1 is a perspective view of a faucet handle showing our new design;
FIG. 2 is a front view thereof;
FIG. 3 is a rear view thereof;
FIG. 4 is a left side view thereof;
FIG. 5 is a right side view thereof;
FIG. 6 is a top view thereof; and,
FIG. 7 is a bottom view thereof.

1 Claim, 4 Drawing Sheets



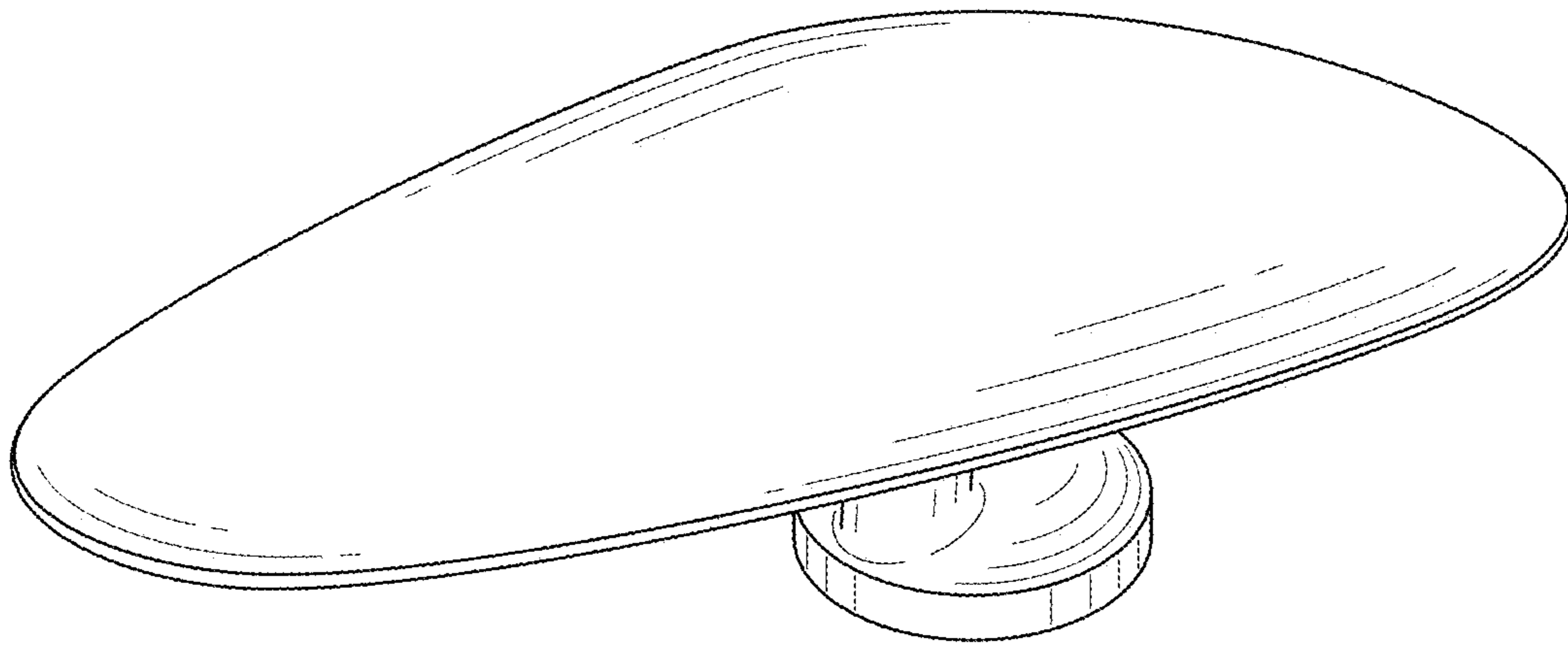


FIG. 1

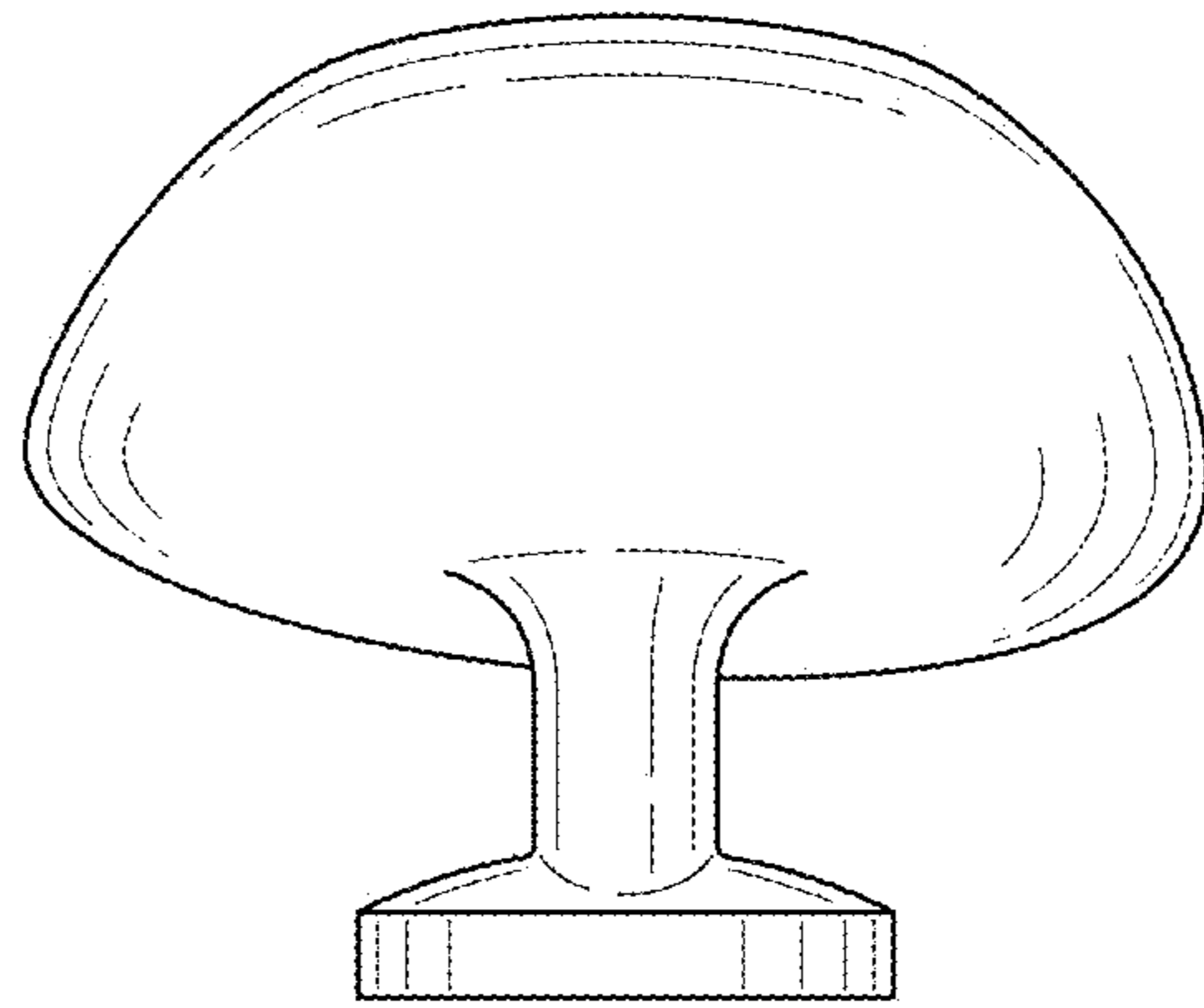


FIG. 2

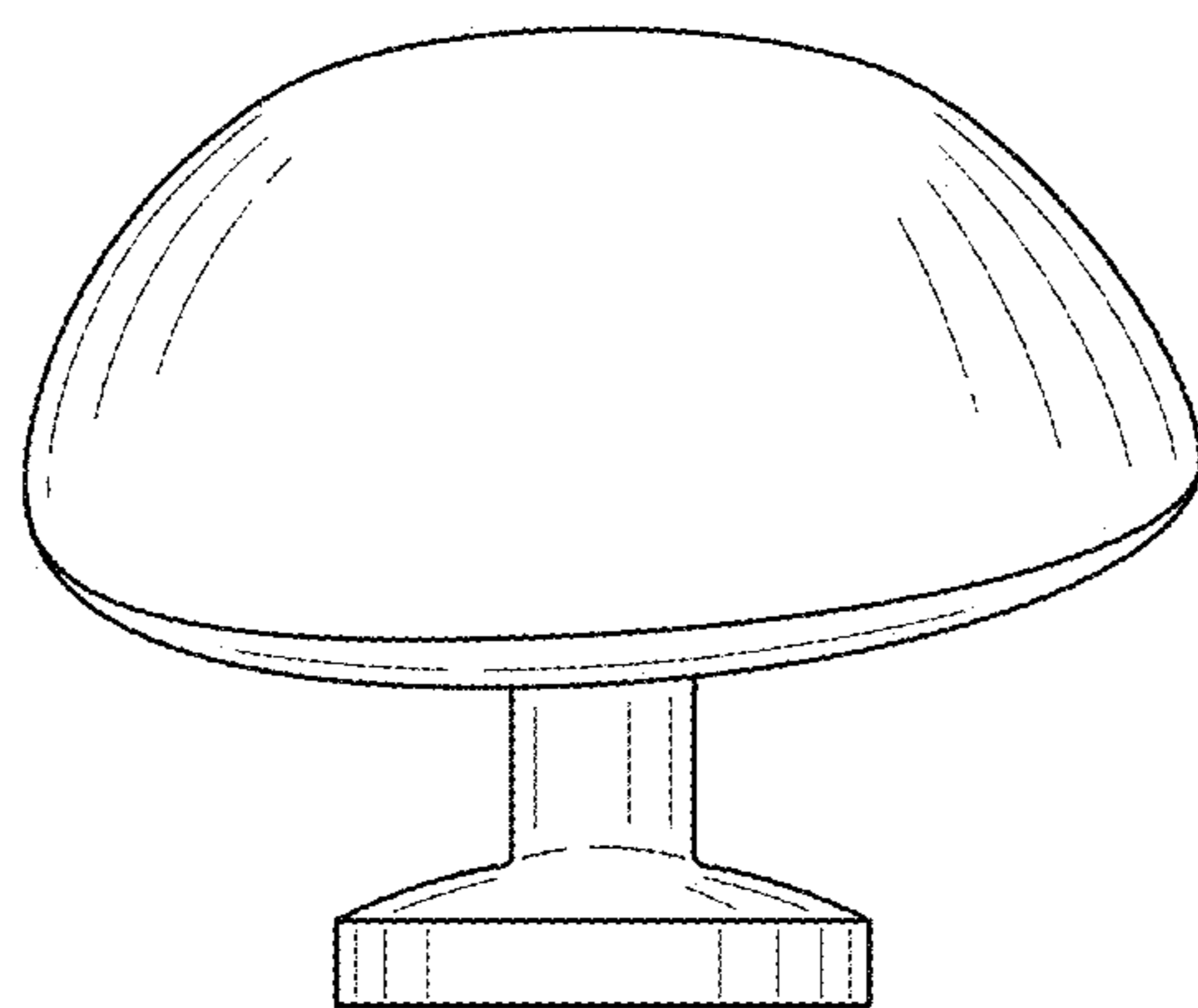


FIG. 3

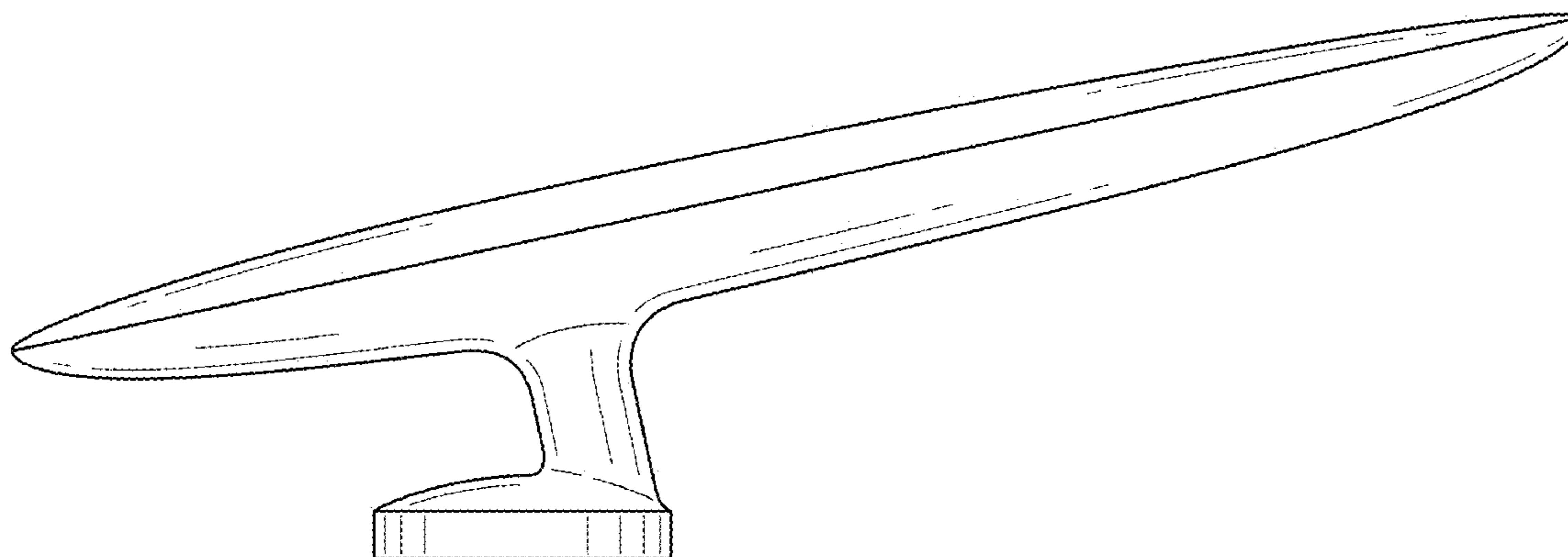


FIG. 4

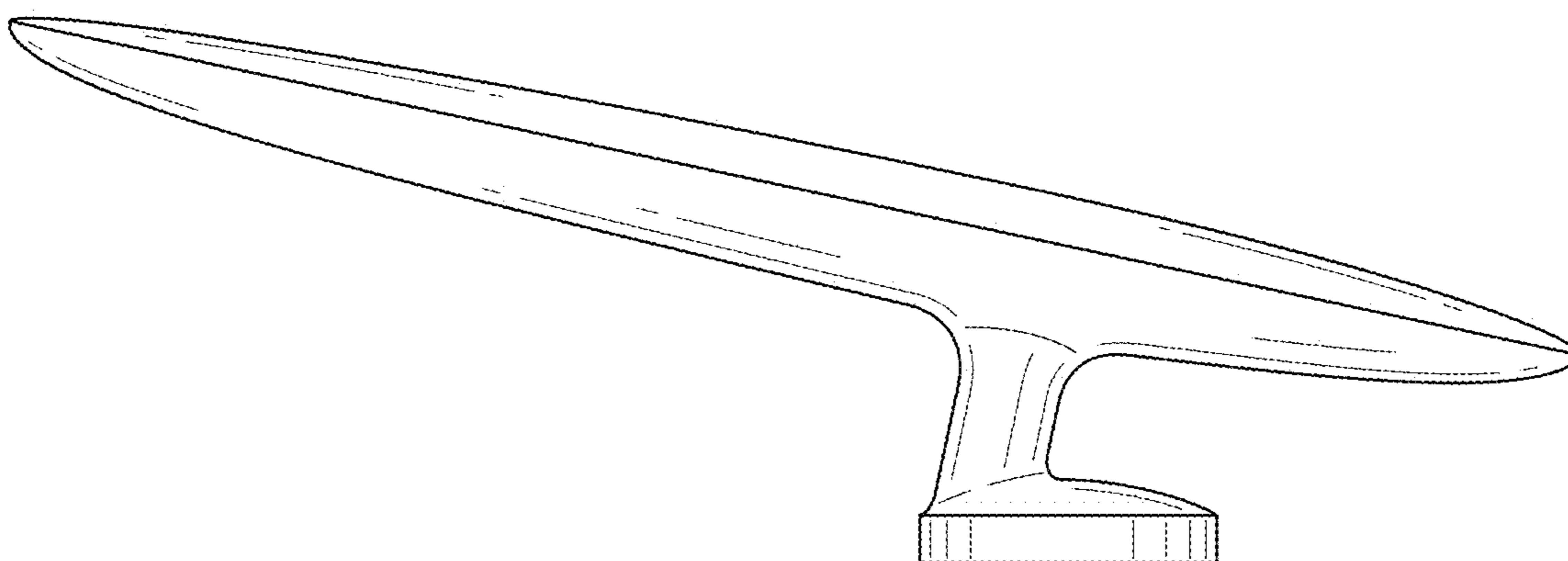


FIG. 5

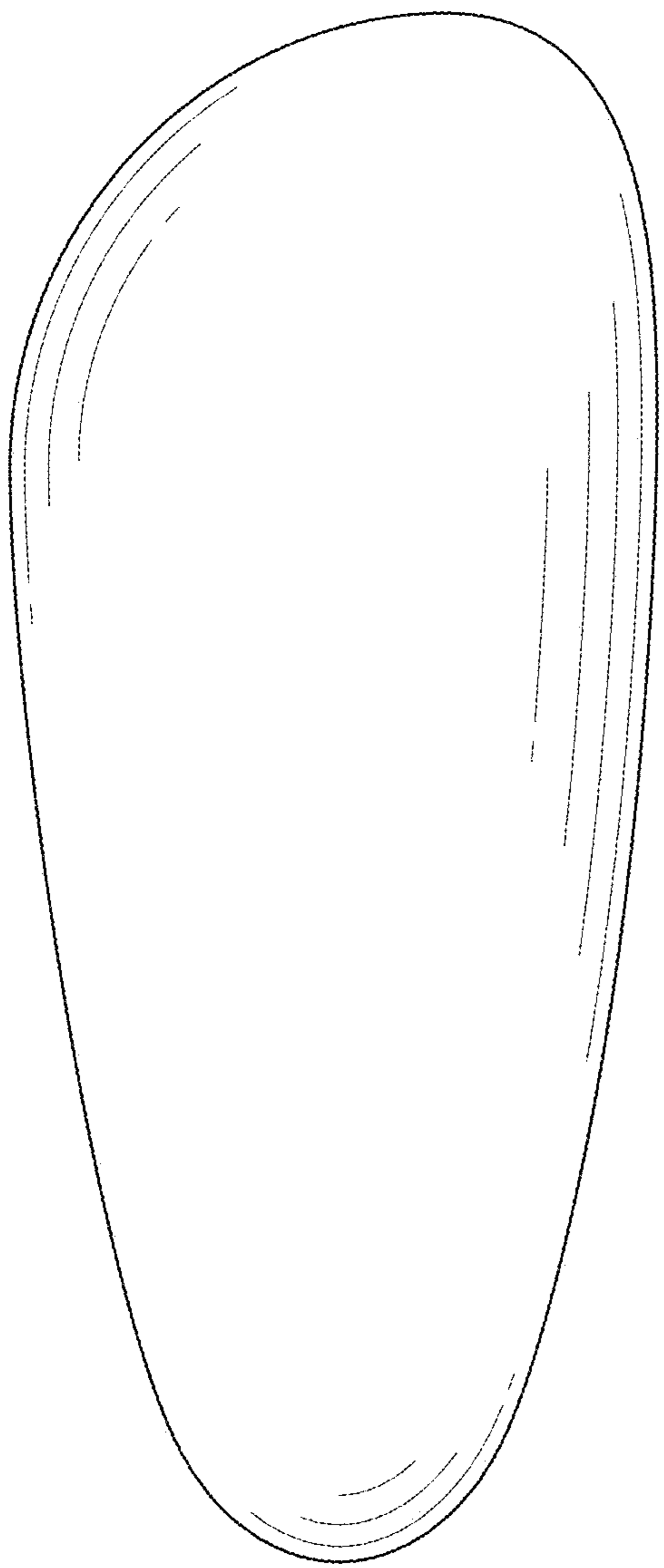


FIG. 6

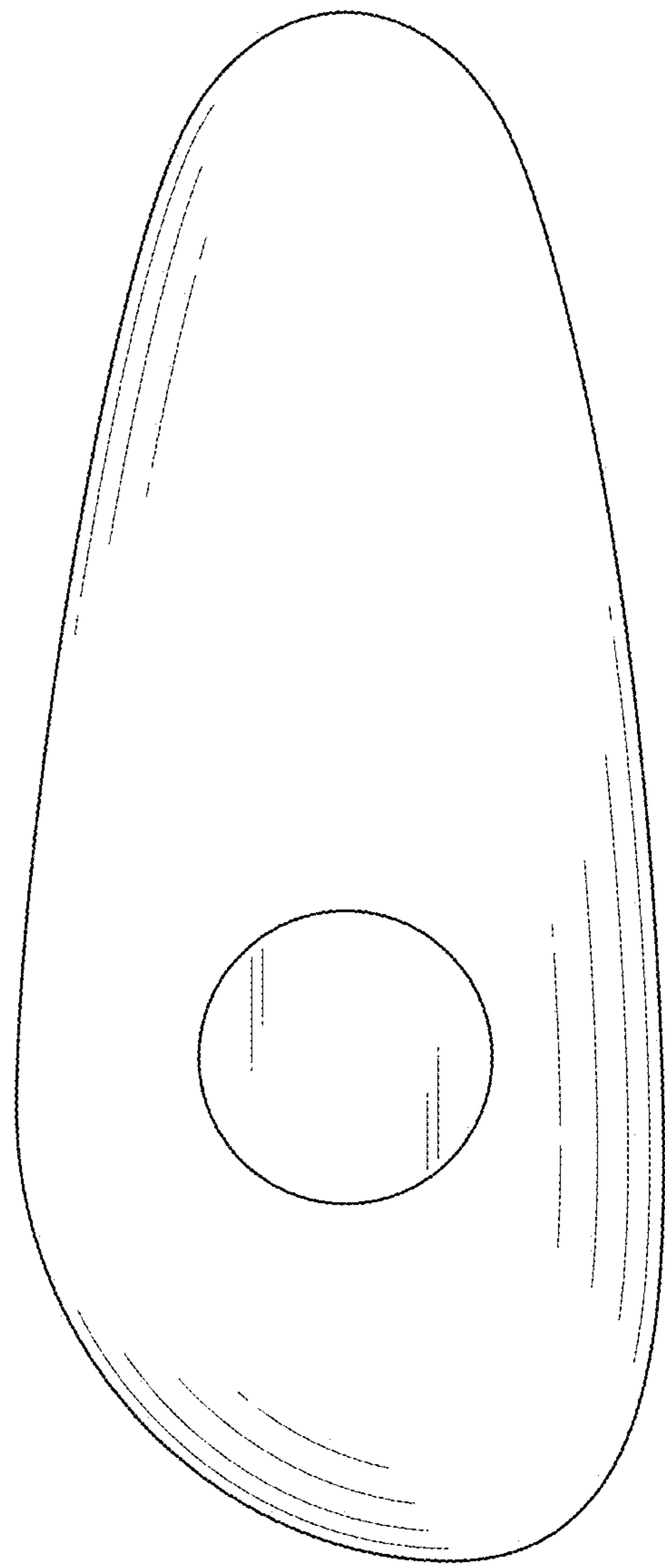


FIG. 7