



US00D903818S

(12) **United States Design Patent** (10) **Patent No.:** **US D903,818 S**
Tomiya et al. (45) **Date of Patent:** **** Dec. 1, 2020**

(54) **FAUCET**
(71) Applicant: **TOTO, Ltd.**, Kitakyushu (JP)
(72) Inventors: **Keishi Tomiya**, Kitakyushu (JP);
Takanori Shimazoe, Kitakyushu (JP)
(73) Assignee: **TOTO Ltd.**, Kitakyushu (JP)
(**) Term: **15 Years**

D830,515 S * 10/2018 L'Henaff D23/238
D857,168 S * 8/2019 Soulier D23/238
D864,355 S * 10/2019 Fang D23/238
D866,714 S * 11/2019 Yu D23/238
D868,213 S * 11/2019 Hoogendoorn D23/238

FOREIGN PATENT DOCUMENTS

CN 303597469 * 9/2015
CN 304006903 * 6/2016

OTHER PUBLICATIONS

Tall Vessel, announced Mar. 1, 2019[online], [site visited Aug. 12, 2020]. Available from internet, URL:<<https://www.amazon.com/Modern-Single-Handle-Bathroom-Lavatory/dp/B07P87SRBX?source=ps-sl-shoppingads-lpcontext&psc=1>> (Year: 2019).*

(Continued)

Primary Examiner — Barbara Fox
Assistant Examiner — Jamaal Rasheed
(74) *Attorney, Agent, or Firm* — Banner & Witcoff, Ltd.

(21) Appl. No.: **29/682,882**
(22) Filed: **Mar. 8, 2019**
(30) **Foreign Application Priority Data**
Dec. 26, 2018 (JP) 2018-028387
(51) **LOC (12) Cl.** **23-01**
(52) **U.S. Cl.**
USPC **D23/238**
(58) **Field of Classification Search**
USPC D23/238-244, 252, 254, 255, 257;
D8/307-308
CPC F16K 31/602; F16K 31/605; F16K 31/607;
E03C 1/0412
See application file for complete search history.

(57) **CLAIM**

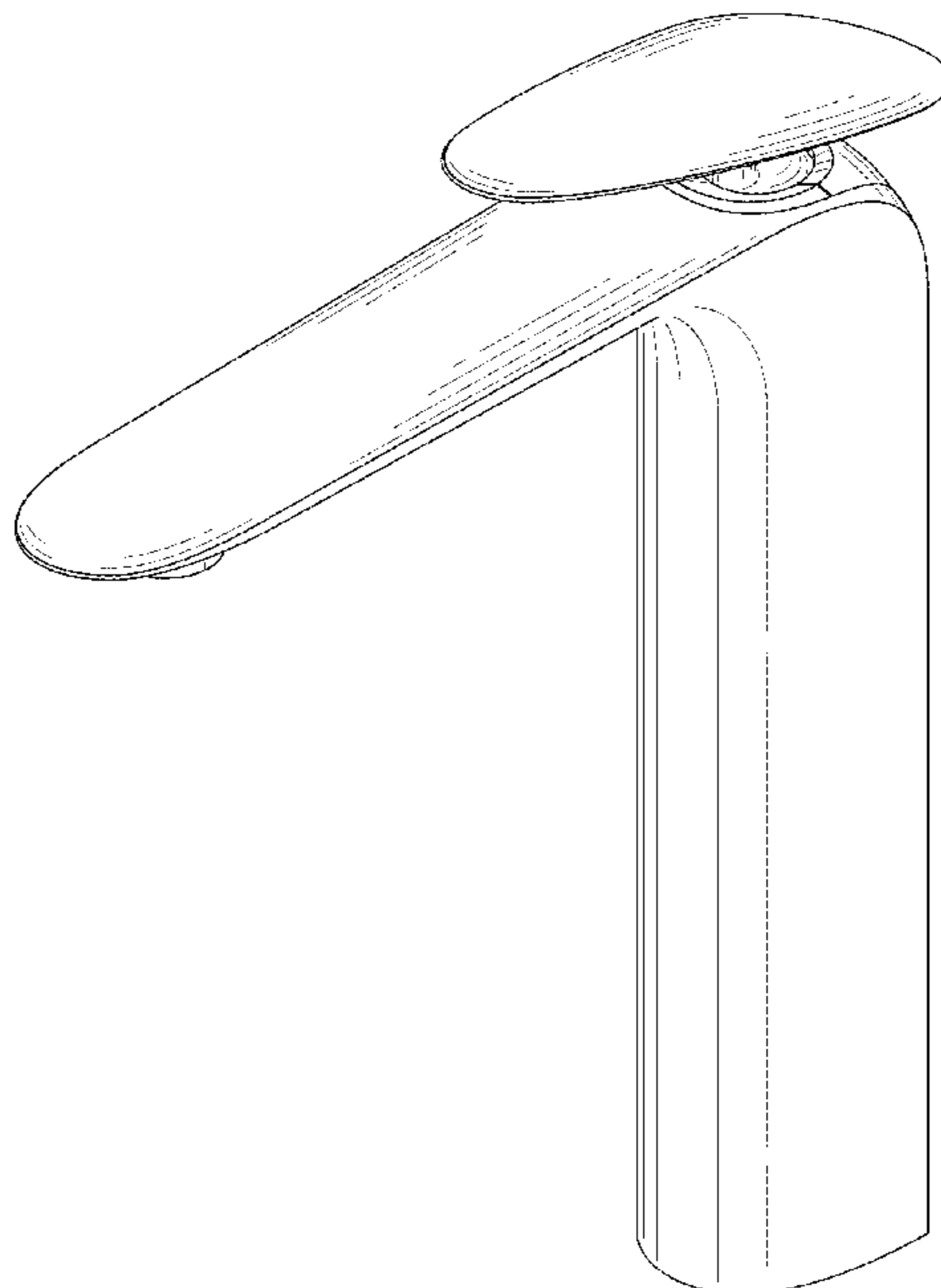
The ornamental design for a faucet, as shown and described.

DESCRIPTION

FIG. 1 is a perspective view of a faucet showing our new design;
FIG. 2 is a front view thereof;
FIG. 3 is a rear view thereof;
FIG. 4 is a left side view thereof;
FIG. 5 is a right side view thereof;
FIG. 6 is a top view thereof; and,
FIG. 7 is a bottom view thereof.
The broken lines shown in the figures are included for the purpose of illustrating portions of the faucet that form no part of the claimed design.

(56) **References Cited**
U.S. PATENT DOCUMENTS
D517,169 S * 3/2006 Ogata D23/238
D682,990 S * 5/2013 Obara D23/238
D698,421 S * 1/2014 Schoenherr D23/238
D700,955 S * 3/2014 Schoenherr D23/238
D726,880 S * 4/2015 Kington D23/238
D767,721 S * 9/2016 Yoshioka D23/238
D796,636 S * 9/2017 Downey D23/238
D809,103 S * 1/2018 Schoenherr D23/238
D825,032 S * 8/2018 He D23/238

1 Claim, 5 Drawing Sheets



(56)

References Cited

OTHER PUBLICATIONS

ZA Faucet, announced Date unavailable[online], [site visited Aug. 12, 2020]. Available from internet, URL:<<https://www.totousa.com/za-single-handle-faucet-vessel-12-gpm>> (Year: 2020).*

Wovier, announced Date Nov. 7, 2015[online], [site visited Aug. 12, 2020]. Available from internet, URL:<<https://www.amazon.com/Wovier-Brushed-Waterfall-Bathroom-Lavatory/dp/B07JMJSWD>> (Year: 2015).*

* cited by examiner

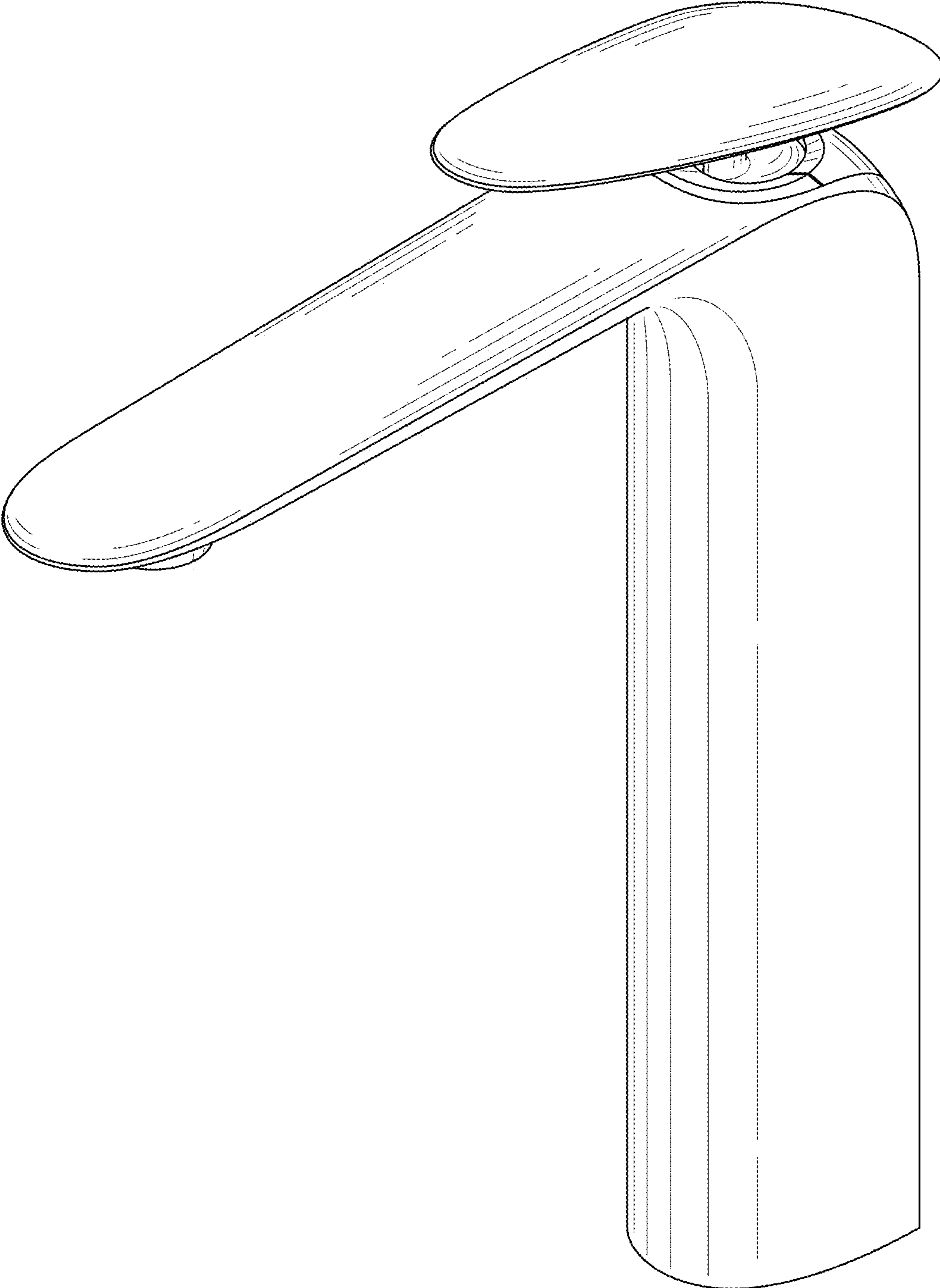


FIG. 1

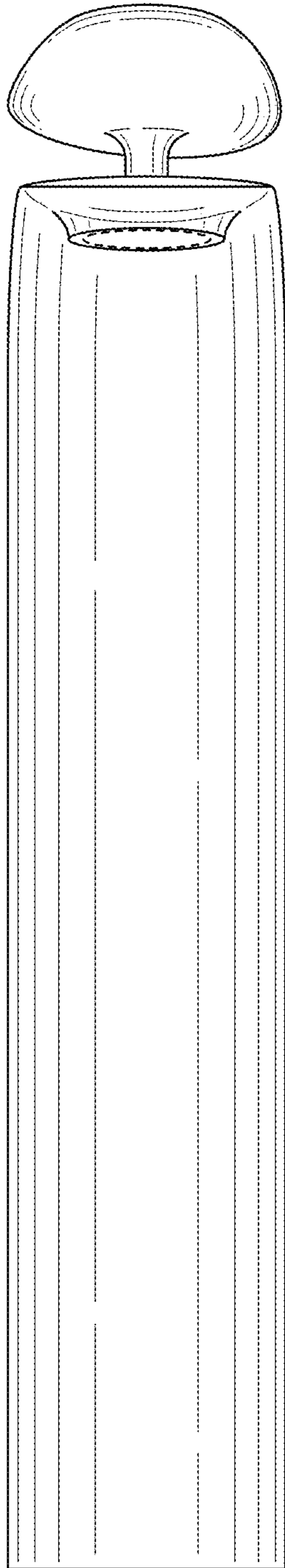


FIG. 2

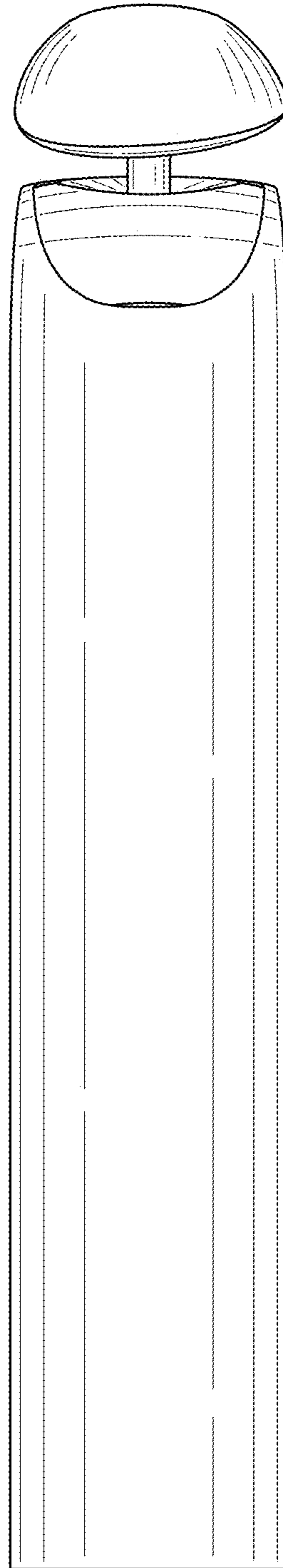


FIG. 3

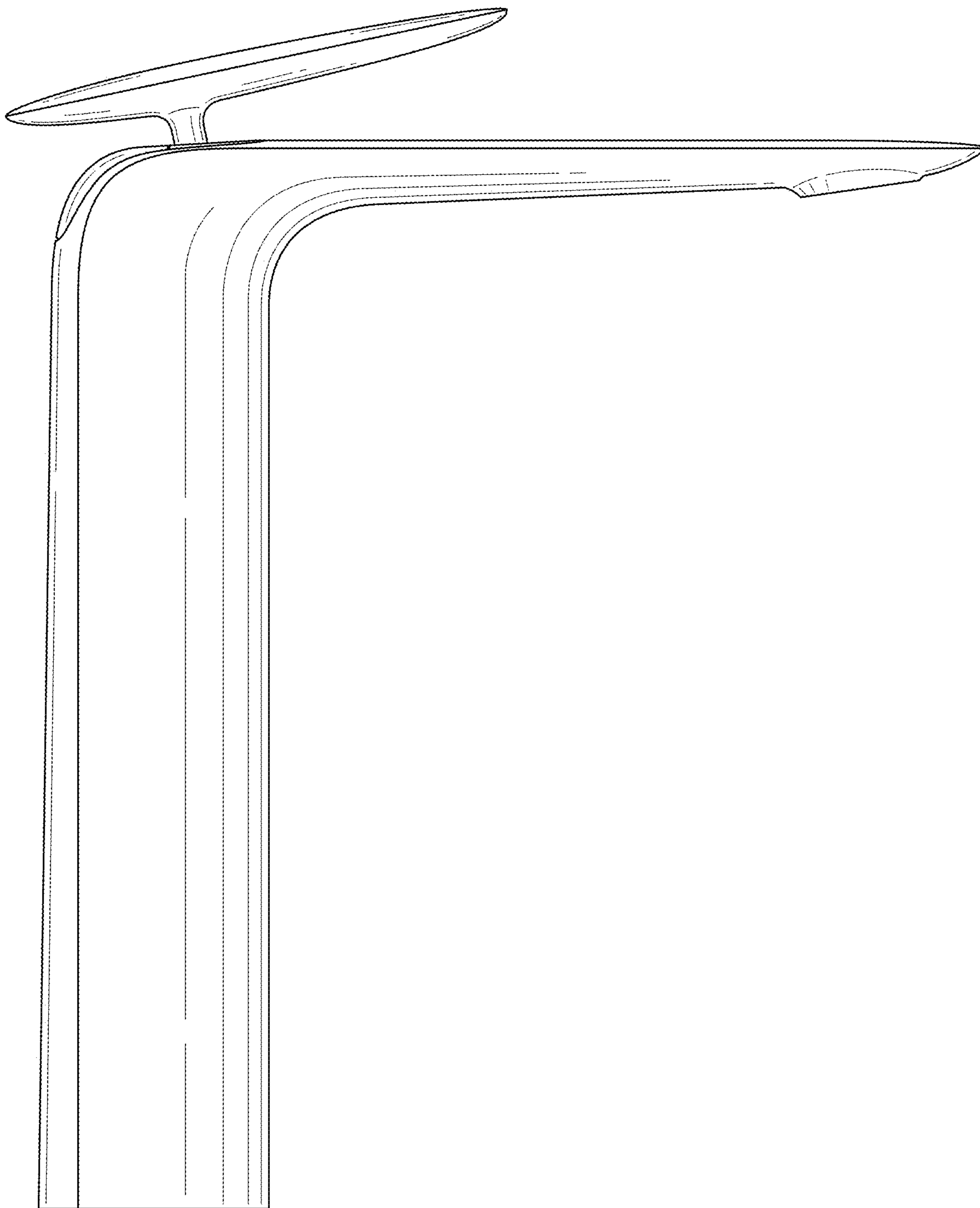


FIG. 4

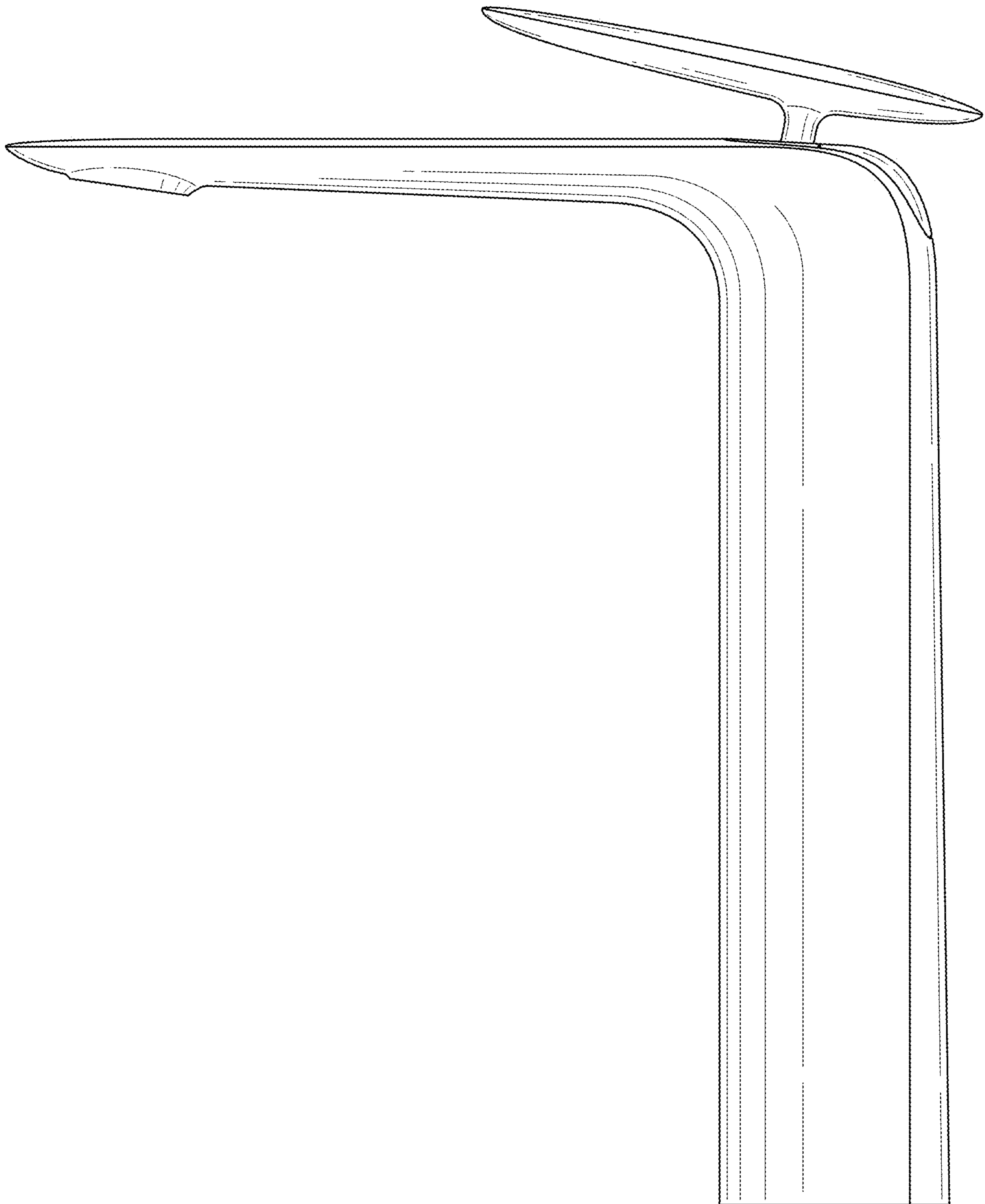


FIG. 5

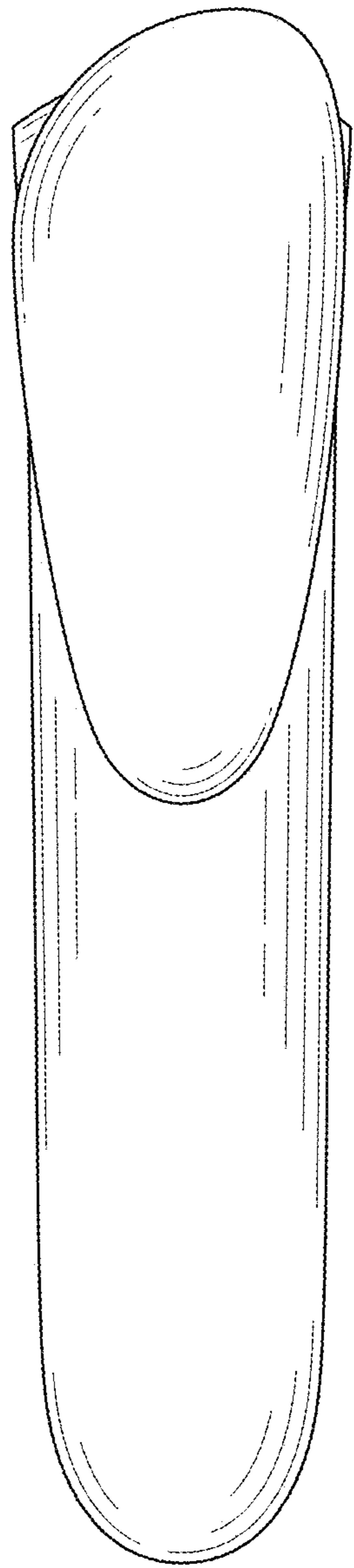


FIG. 6

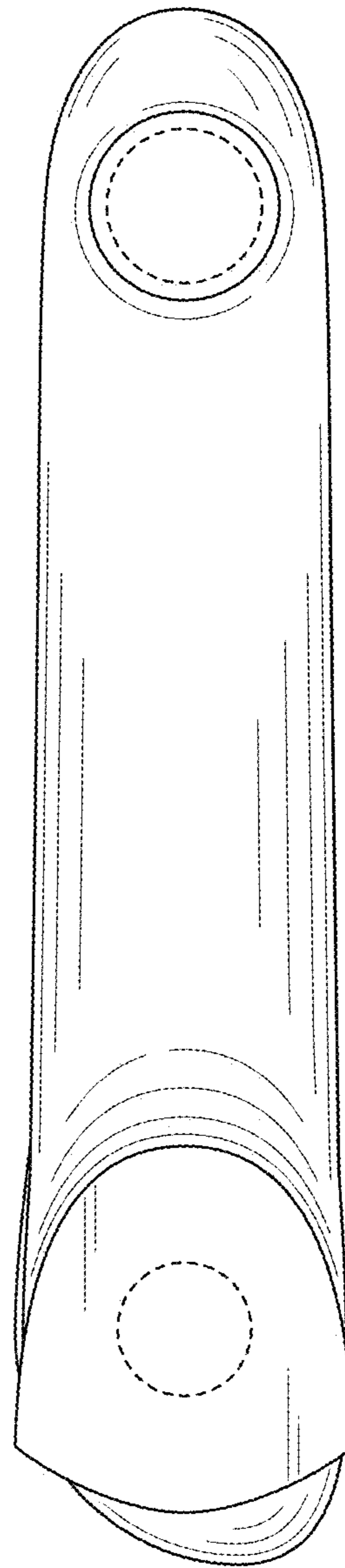


FIG. 7