



US00D903817S

(12) **United States Design Patent**
Longshore

(10) **Patent No.:** **US D903,817 S**
(45) **Date of Patent:** **** Dec. 1, 2020**

(54) **ION AIR GUN**
(71) Applicant: **Ryan Longshore**, Covington, KY (US)
(72) Inventor: **Ryan Longshore**, Covington, KY (US)
(73) Assignee: **EXAIR CORPORATION**, Cincinnati, OH (US)
(**) Term: **15 Years**

(21) Appl. No.: **29/707,145**
(22) Filed: **Sep. 26, 2019**
(51) **LOC (12) Cl.** **21-01**
(52) **U.S. Cl.**
USPC **D23/226**
(58) **Field of Classification Search**
USPC D8/14, 14.1, 29.1, 29.2, 30, 61, 68;
D23/223, 224, 226; D32/17; D28/13
CPC H01T 23/00; H05F 3/04
See application file for complete search history.

(56) **References Cited**

U.S. PATENT DOCUMENTS

3,156,847 A * 11/1964 Schweriner H05F 3/04
361/230
5,388,769 A * 2/1995 Rodrigo H05F 3/04
239/104
D387,128 S * 12/1997 Wang D23/223
D474,528 S 5/2003 Huang
D558,858 S * 1/2008 Chih D23/226
D674,880 S * 1/2013 Schmon D23/226
D715,648 S * 10/2014 Kistler D9/448

D819,784 S * 6/2018 Teraki D23/226
2004/0004140 A1 * 1/2004 Hsueh H05F 3/04
239/690
2011/0181996 A1 * 7/2011 Caffarella H01T 23/00
361/231

OTHER PUBLICATIONS

Product Instruction Manual "Ion Blow Gun", Piezonizer Model AGZIII-US, Ver.1.03 (Jun. 3, 2014).

* cited by examiner

Primary Examiner — Philip S Hyder

(74) *Attorney, Agent, or Firm* — Thompson Hine LLP

(57) **CLAIM**

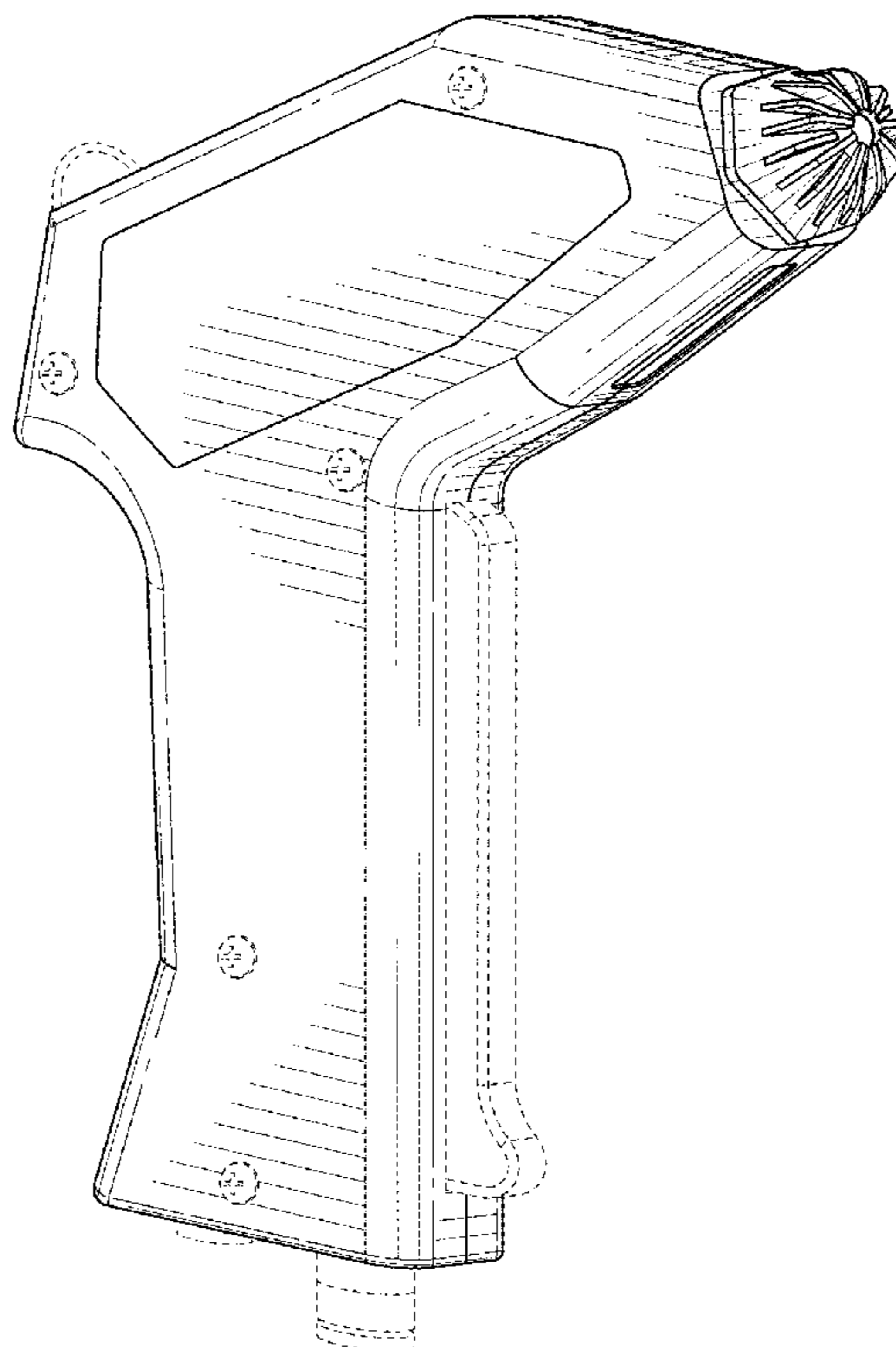
The ornamental design for an ion air gun, as shown and described.

DESCRIPTION

FIG. 1 is a perspective view of a new design for an ion air gun;
FIG. 2 is a right side elevational view thereof;
FIG. 3 is a left side elevational view thereof;
FIG. 4 is a rear elevational view thereof;
FIG. 5 is a front elevational view thereof;
FIG. 6 is a top plan view thereof; and,
FIG. 7 is a bottom plan view thereof.

The broken line showing of portions of the ion air gun is included for the purpose of illustrating portions of the article and forms no part of the claimed design. The shading is provided to illustrate contour only and is not an indication of texture, gloss, etc.

1 Claim, 5 Drawing Sheets



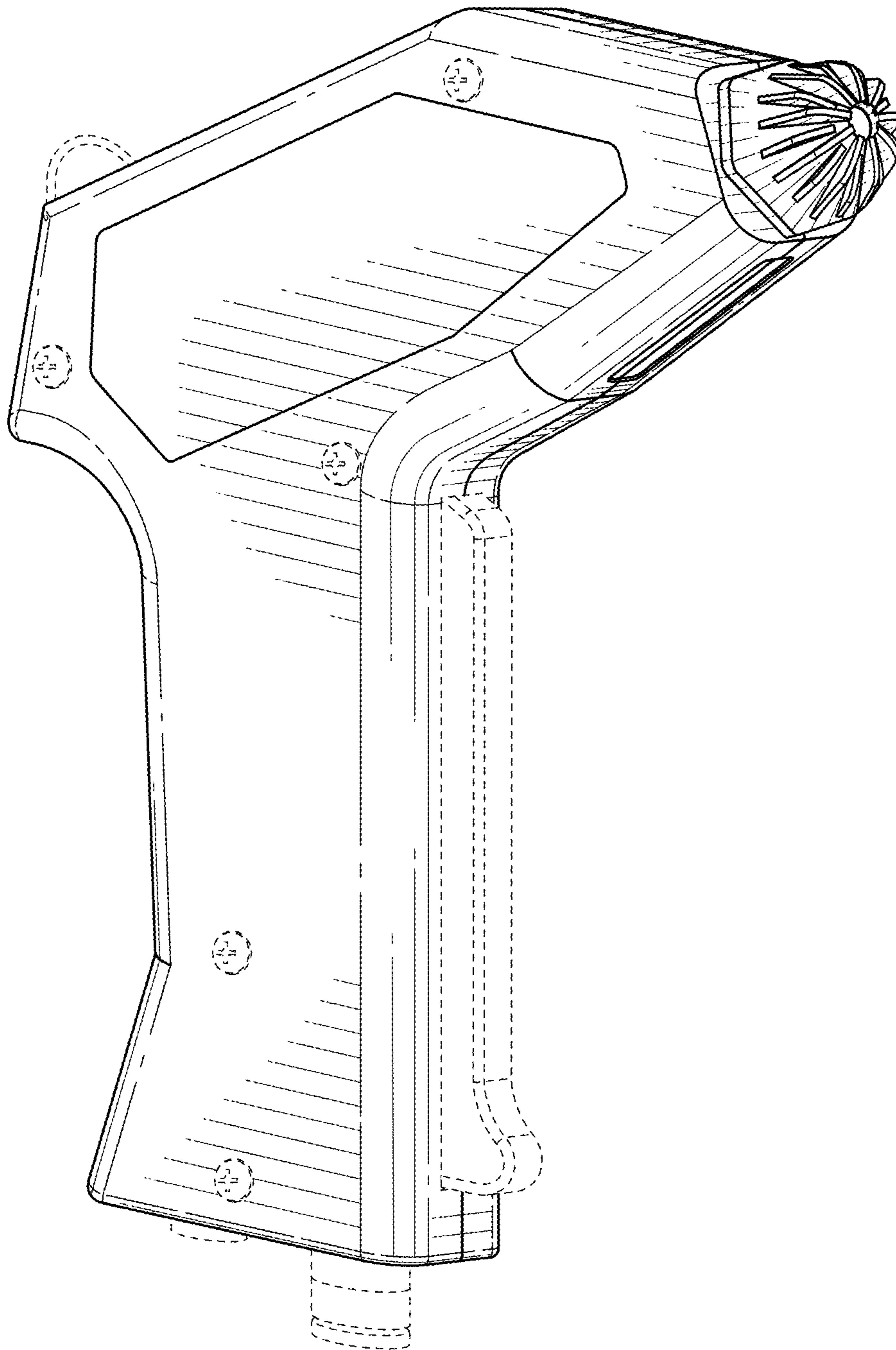


FIG. 1

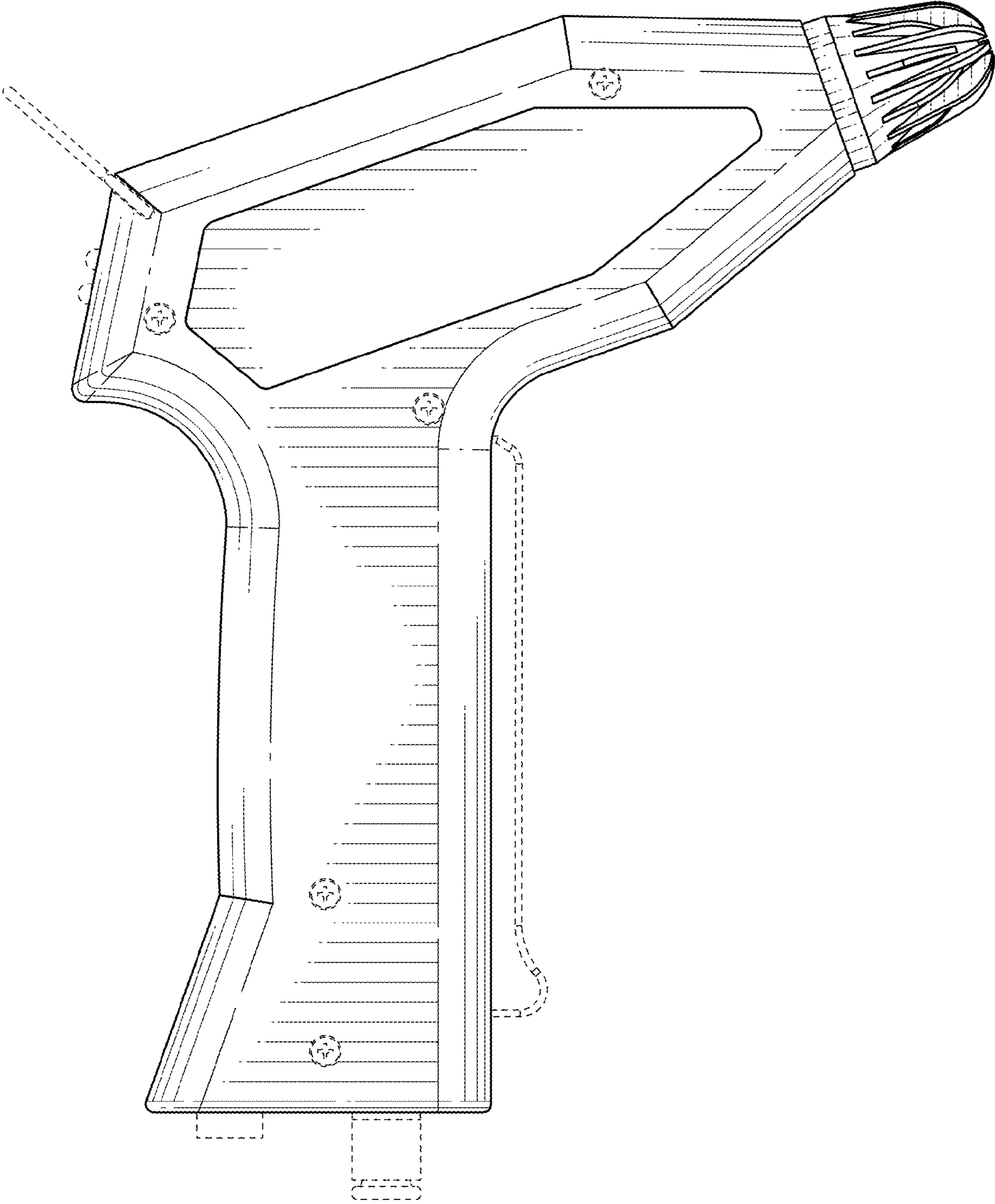


FIG. 2

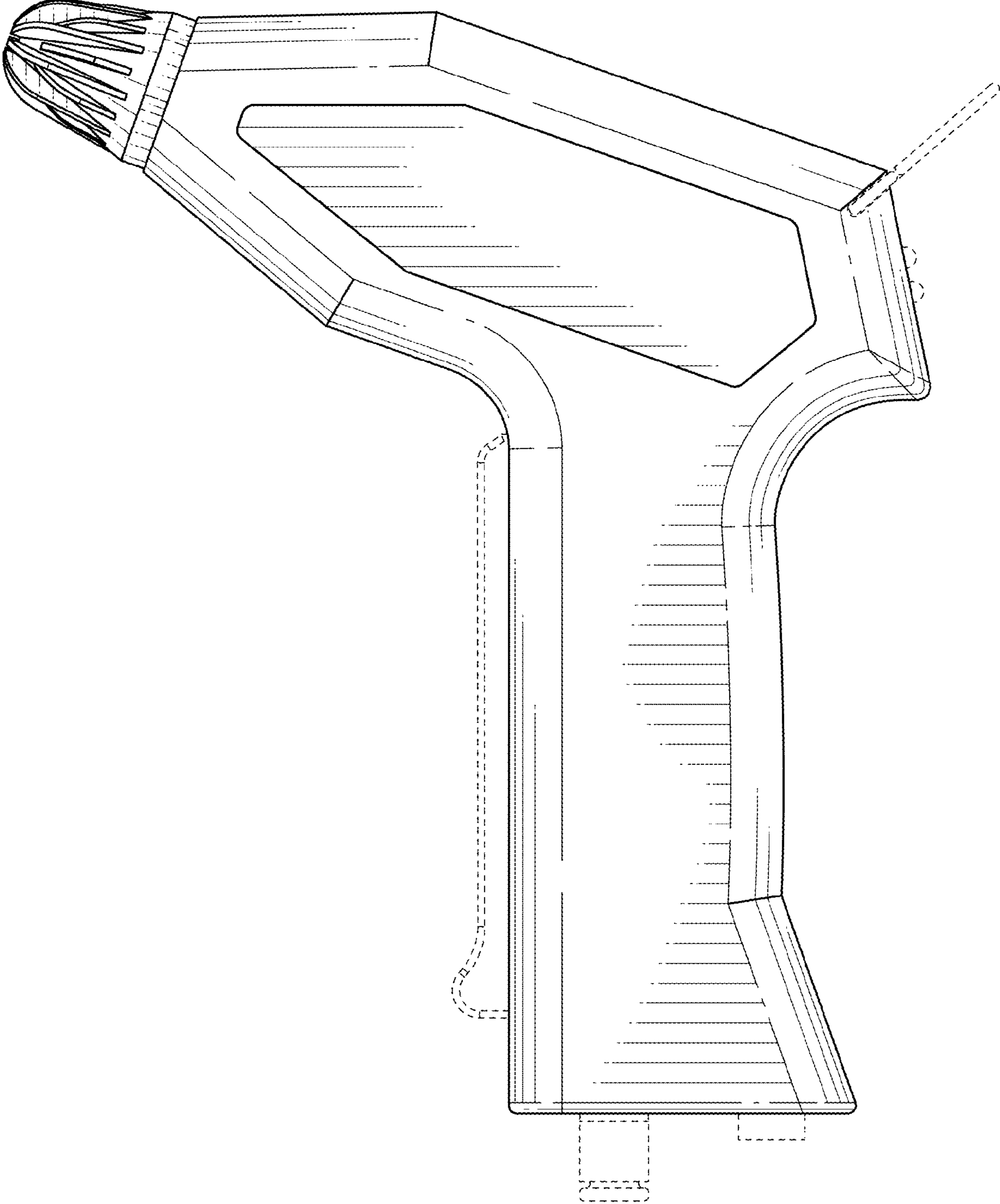


FIG. 3

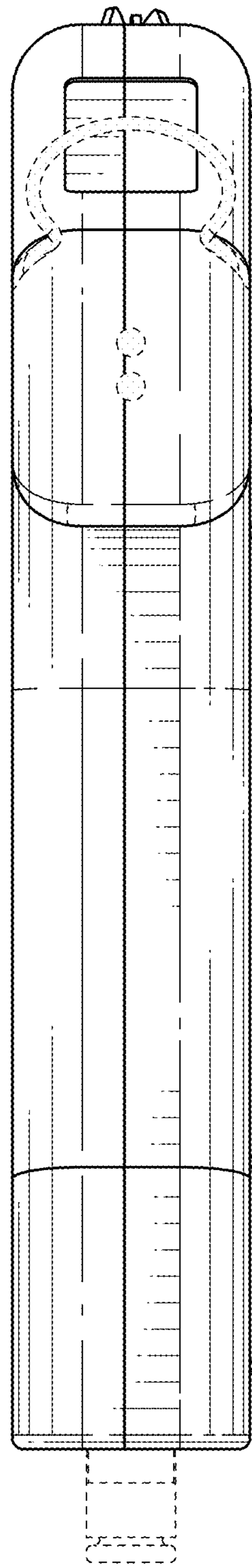


FIG. 4

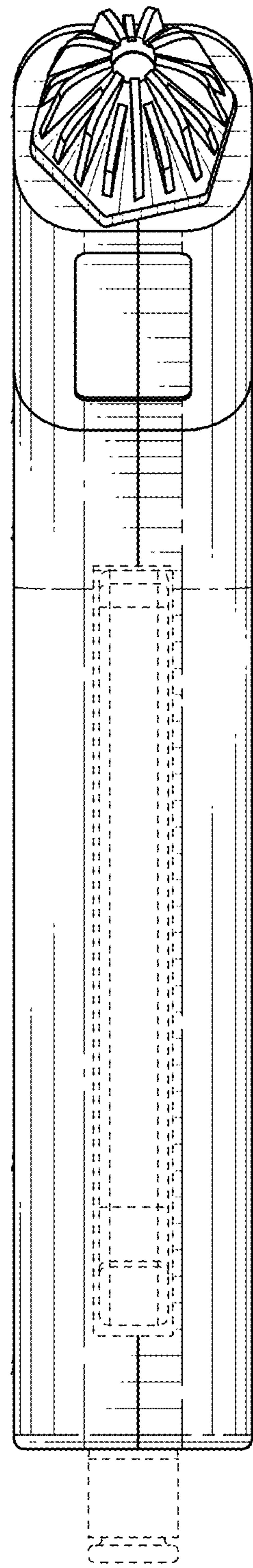


FIG. 5

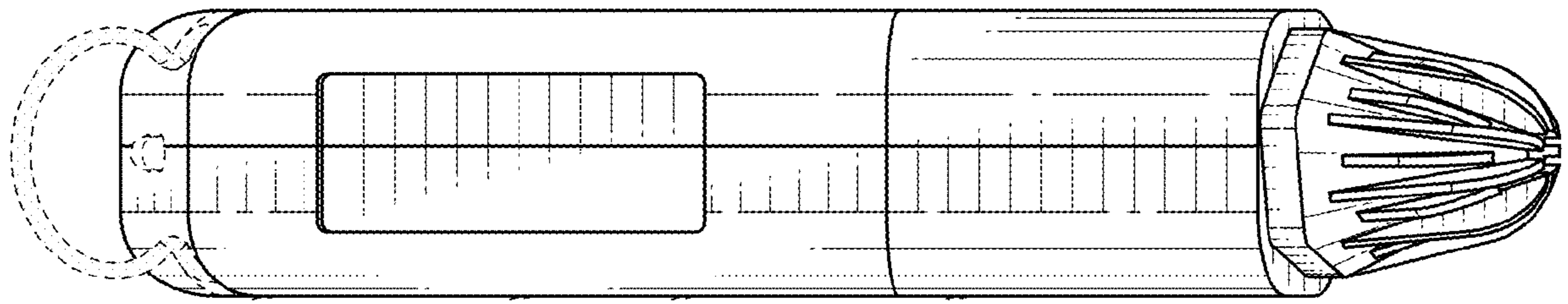


FIG. 6

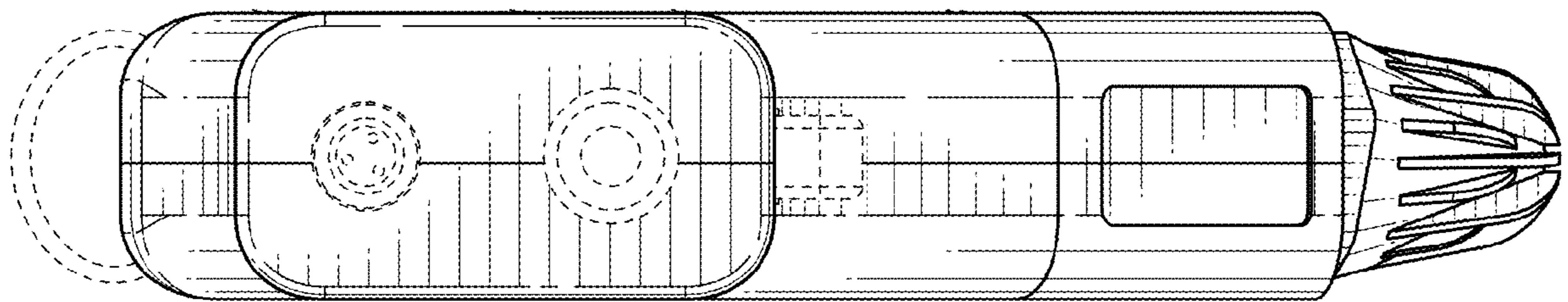


FIG. 7