



US00D903815S

(12) **United States Design Patent**
Kamai, III

(10) **Patent No.:** **US D903,815 S**

(45) **Date of Patent:** **** *Dec. 1, 2020**

(54) **FISHHOOK AND LINE HOLDER**

(71) Applicant: **Frederick Kamai, III**, Laguna Niguel,
CA (US)

(72) Inventor: **Frederick Kamai, III**, Laguna Niguel,
CA (US)

(*) Notice: This patent is subject to a terminal dis-
claimer.

(**) Term: **15 Years**

(21) Appl. No.: **29/669,597**

(22) Filed: **Nov. 9, 2018**

(51) **LOC (12) Cl.** **22-05**

(52) **U.S. Cl.**
USPC **D22/134; D22/143**

(58) **Field of Classification Search**
USPC D22/134, 137-143; 43/25.2, 43.15,
43/44.84, 57.1
CPC A01K 87/06; A01K 87/08; A01K 91/00;
A01K 91/18; A01K 97/06
See application file for complete search history.

(56) **References Cited**

U.S. PATENT DOCUMENTS

- 3,295,245 A * 1/1967 Mullikin A01K 91/18
43/57.1
- 3,815,273 A * 6/1974 Perkins A01K 97/06
43/25.2
- 5,020,264 A * 6/1991 Demski A01K 97/06
43/25.2

- D393,688 S * 4/1998 Essad D22/134
- D465,255 S * 11/2002 Lankey D22/139
- 6,883,266 B1 * 4/2005 Valdivia, Sr. A01K 97/06
43/25.2
- D825,712 S * 8/2018 Nelson D22/134

OTHER PUBLICATIONS

TackleWarehouse.com, Fuji Ez Keeper, earliest review date Apr. 12,
2015.*

* cited by examiner

Primary Examiner — Catherine R Oliver-Garcia
(74) *Attorney, Agent, or Firm* — John J. Connors;
Connors & Assoc

(57) **CLAIM**

The ornamental design for a fishhook and line holder, as
shown and described.

DESCRIPTION

FIG. 1 is a rear and top perspective view showing my fishhook and line holder in conjunction with a fishing rod and hook.

FIG. 2 is an enlarged rear and top perspective view;

FIG. 3 is a bottom and front perspective view thereof;

FIG. 4 is a top plan view thereof;

FIG. 5 is a right elevation view thereof;

FIG. 6 is a bottom plan view thereof;

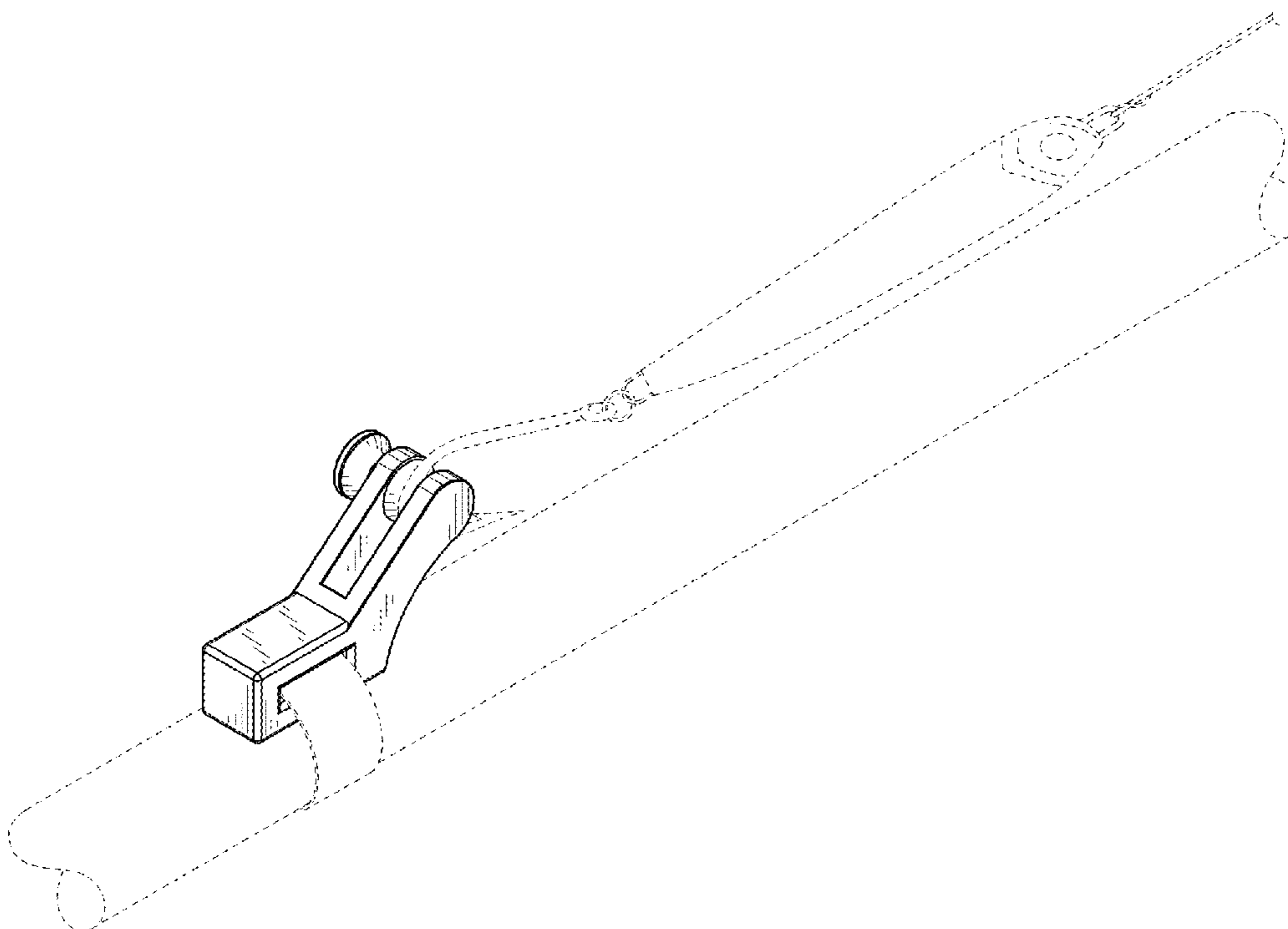
FIG. 7 is a rear elevation view thereof;

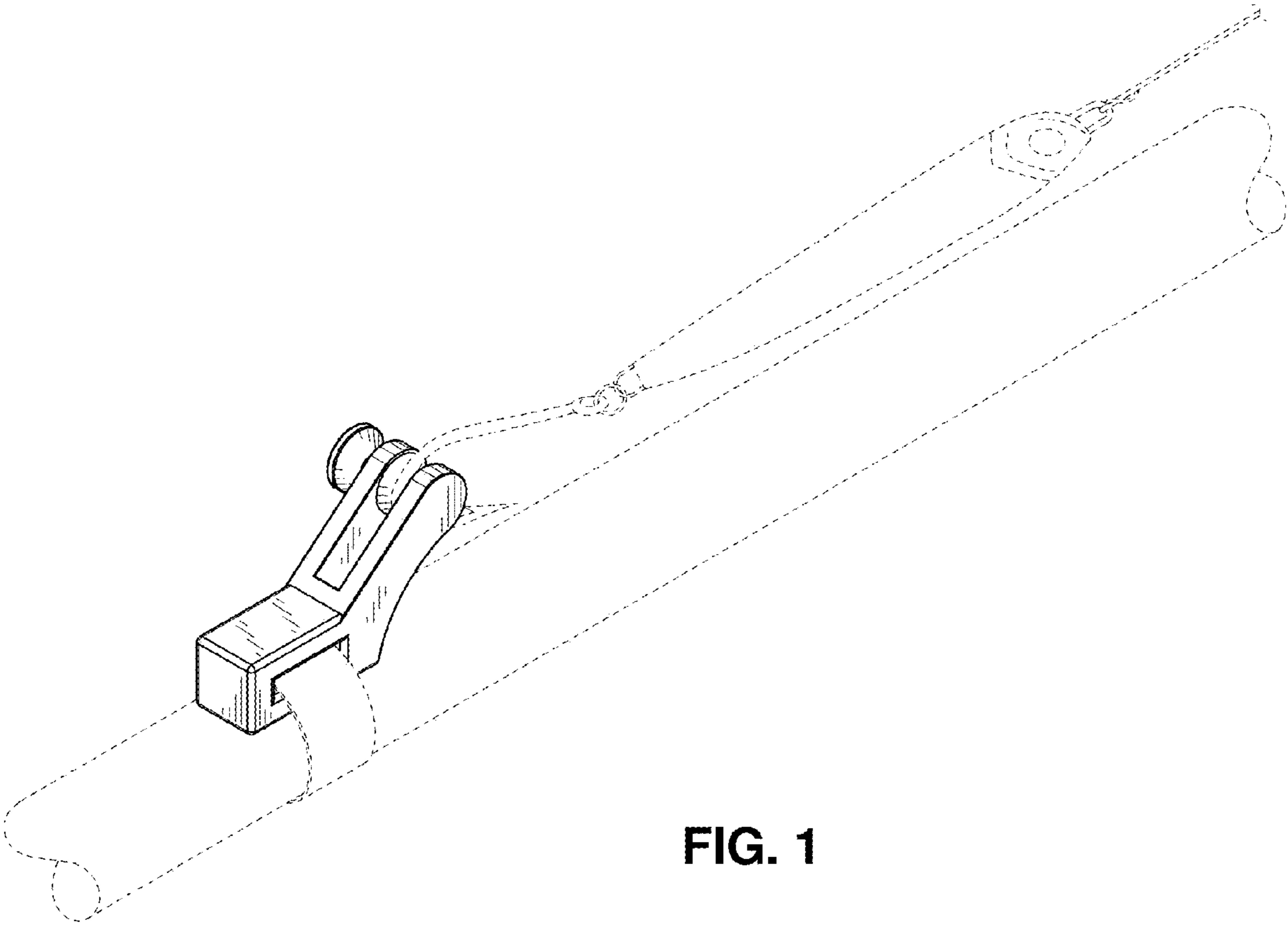
FIG. 8 is a front elevation view thereof; and,

FIG. 9 is a left elevation view thereof.

The broken lines depict environmental structure and are for illustrative purposes only and form no part of the claimed design.

1 Claim, 4 Drawing Sheets





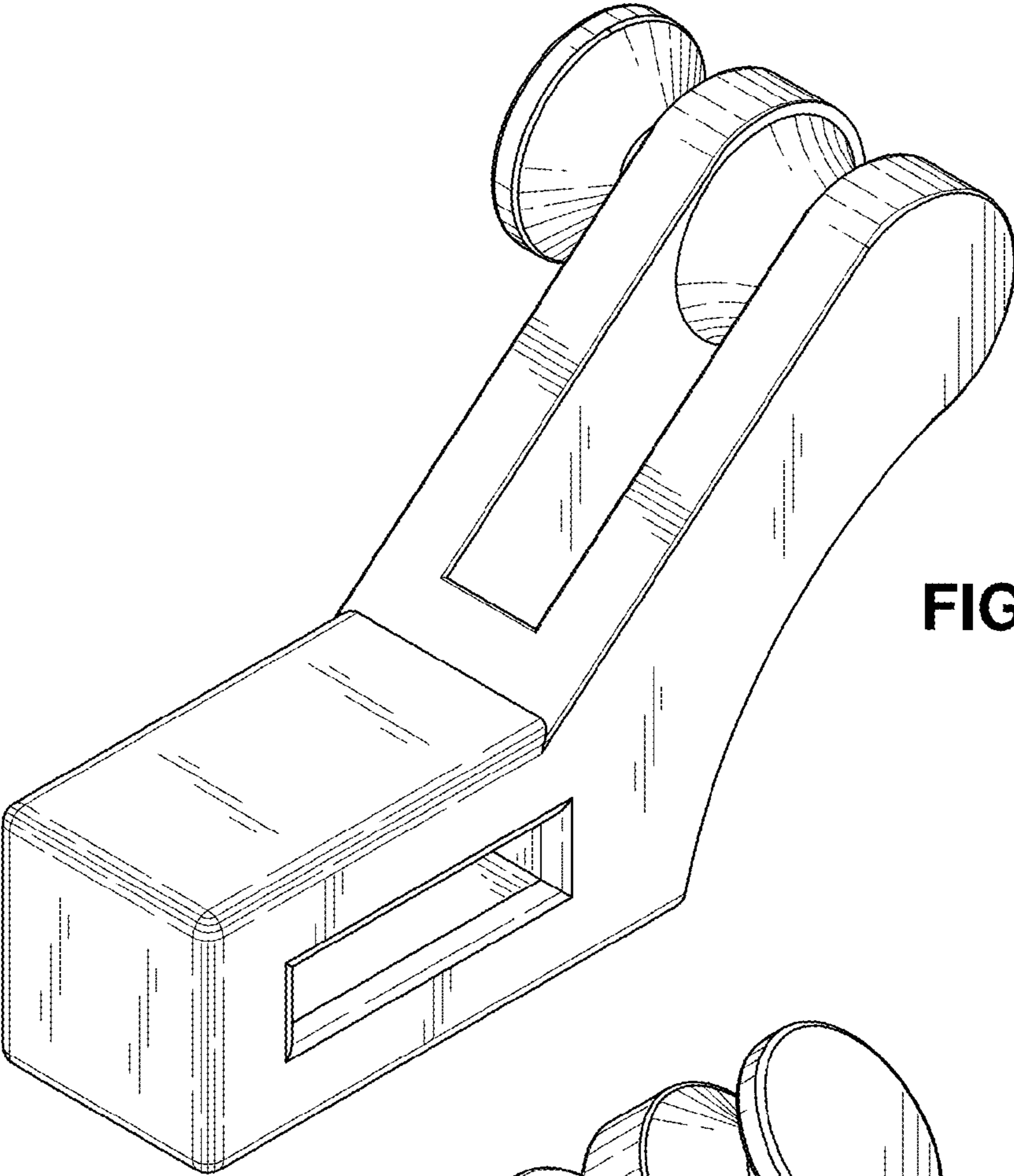


FIG. 2

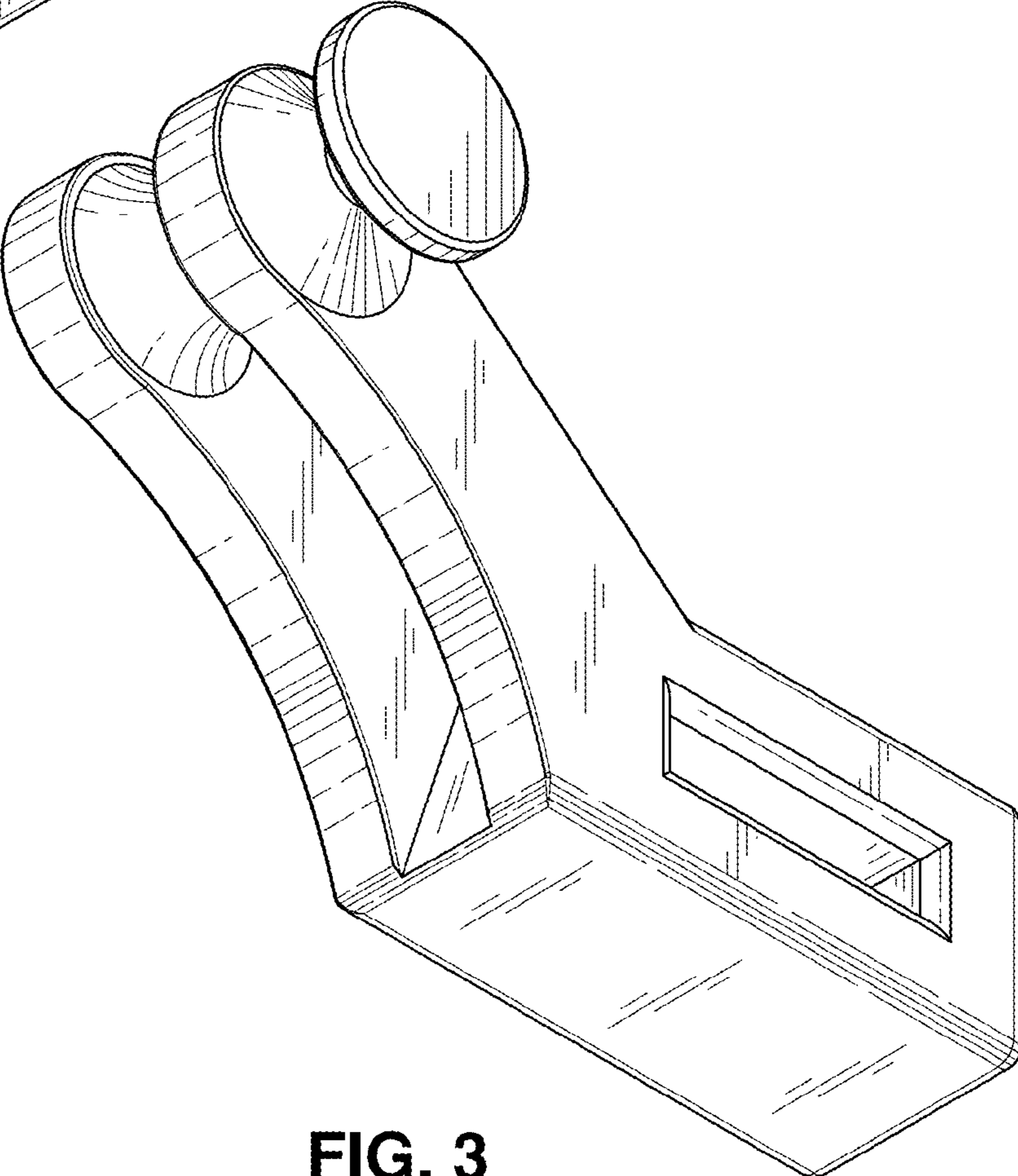


FIG. 3

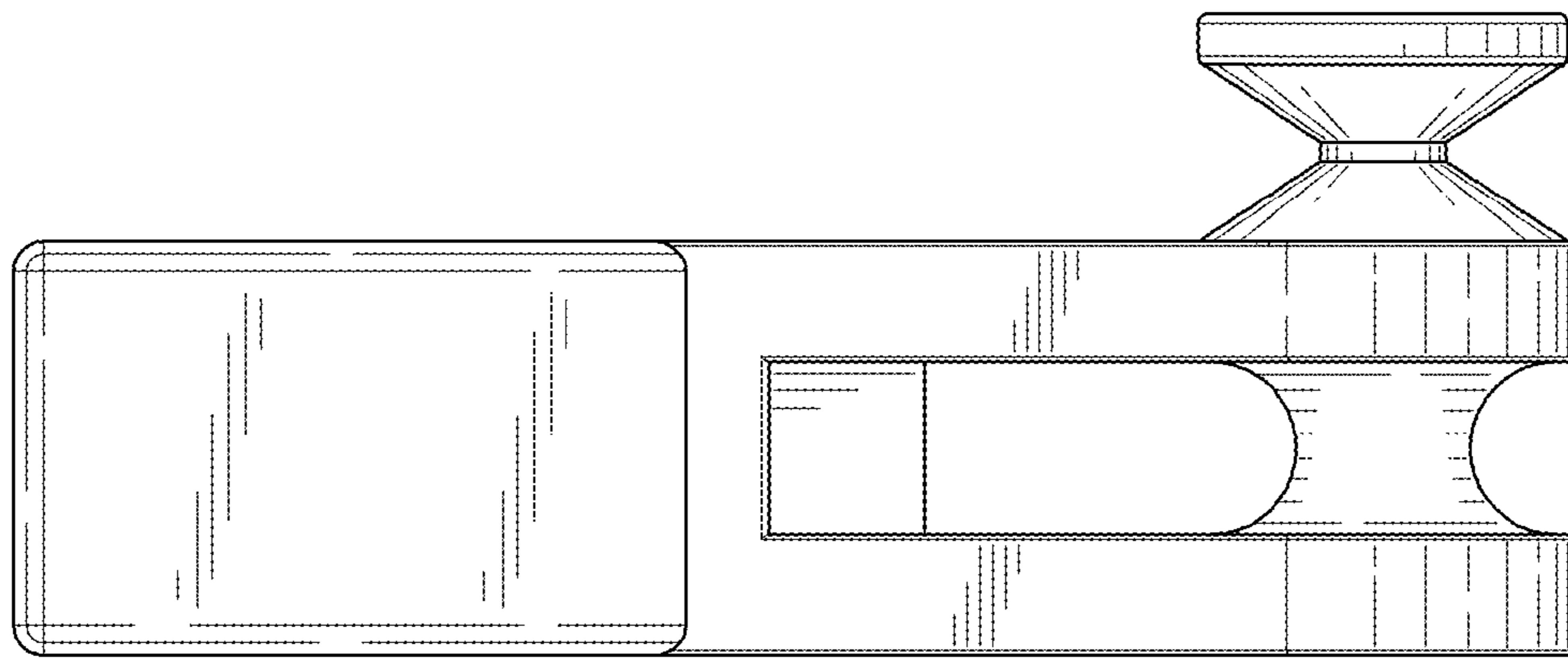


FIG. 4

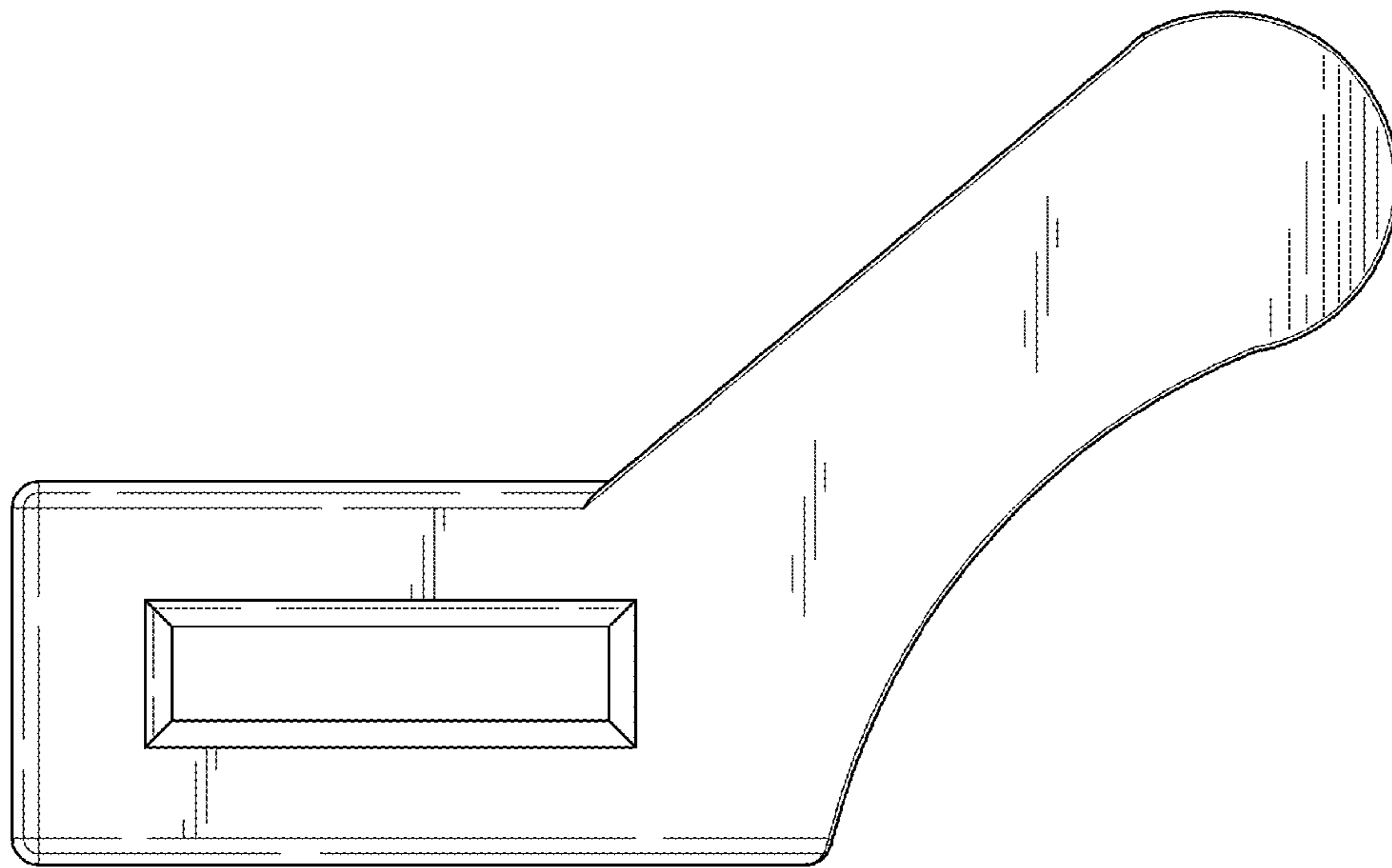


FIG. 5

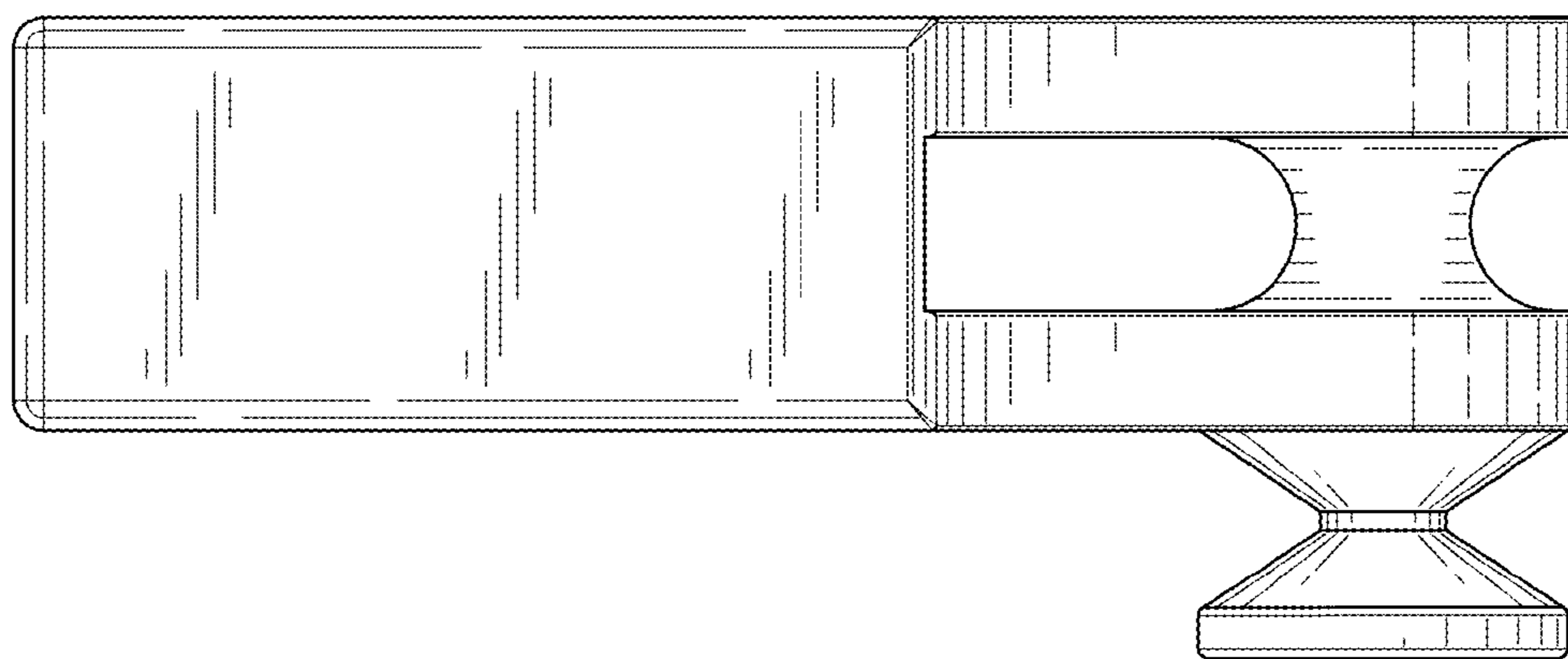


FIG. 6

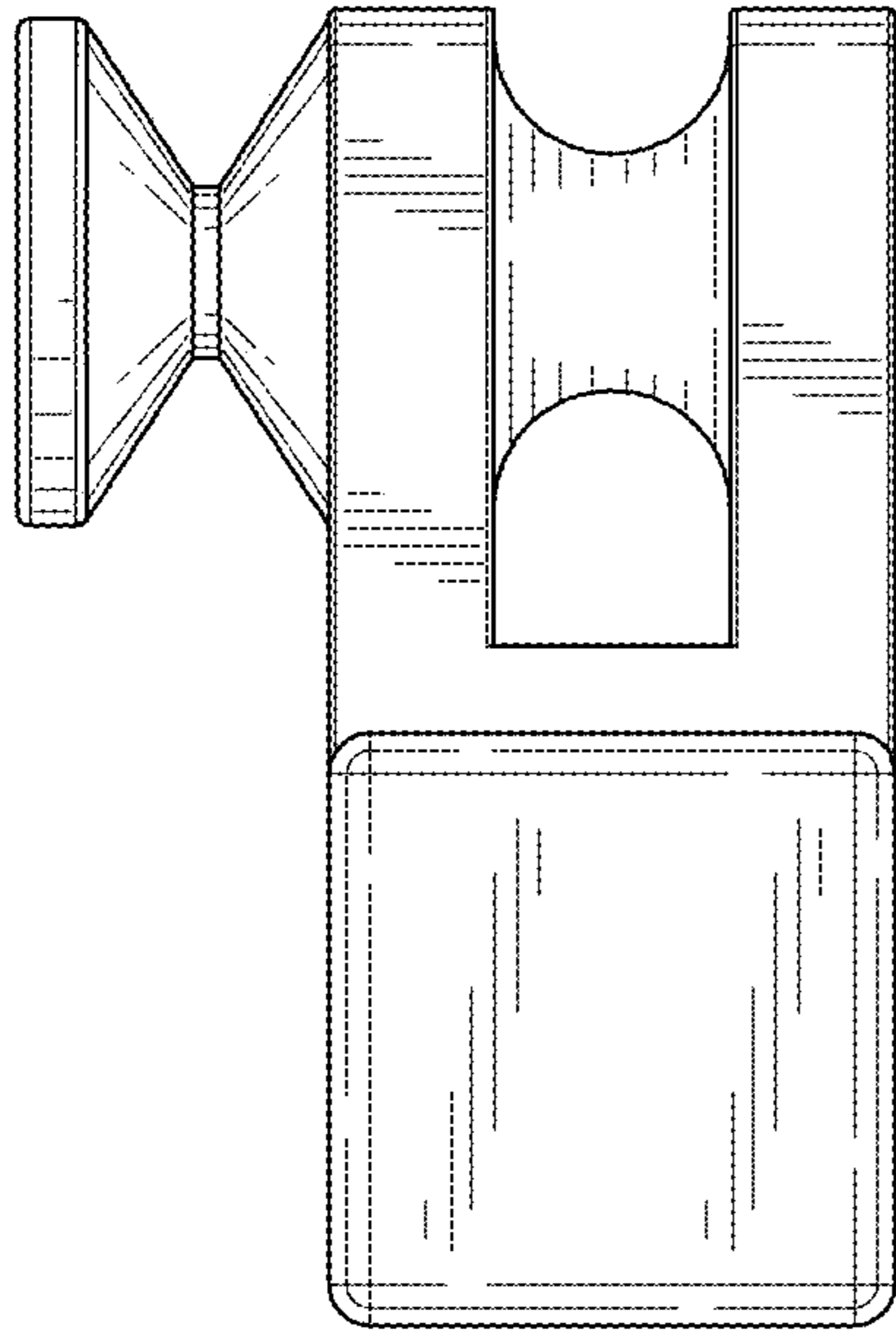


FIG. 7

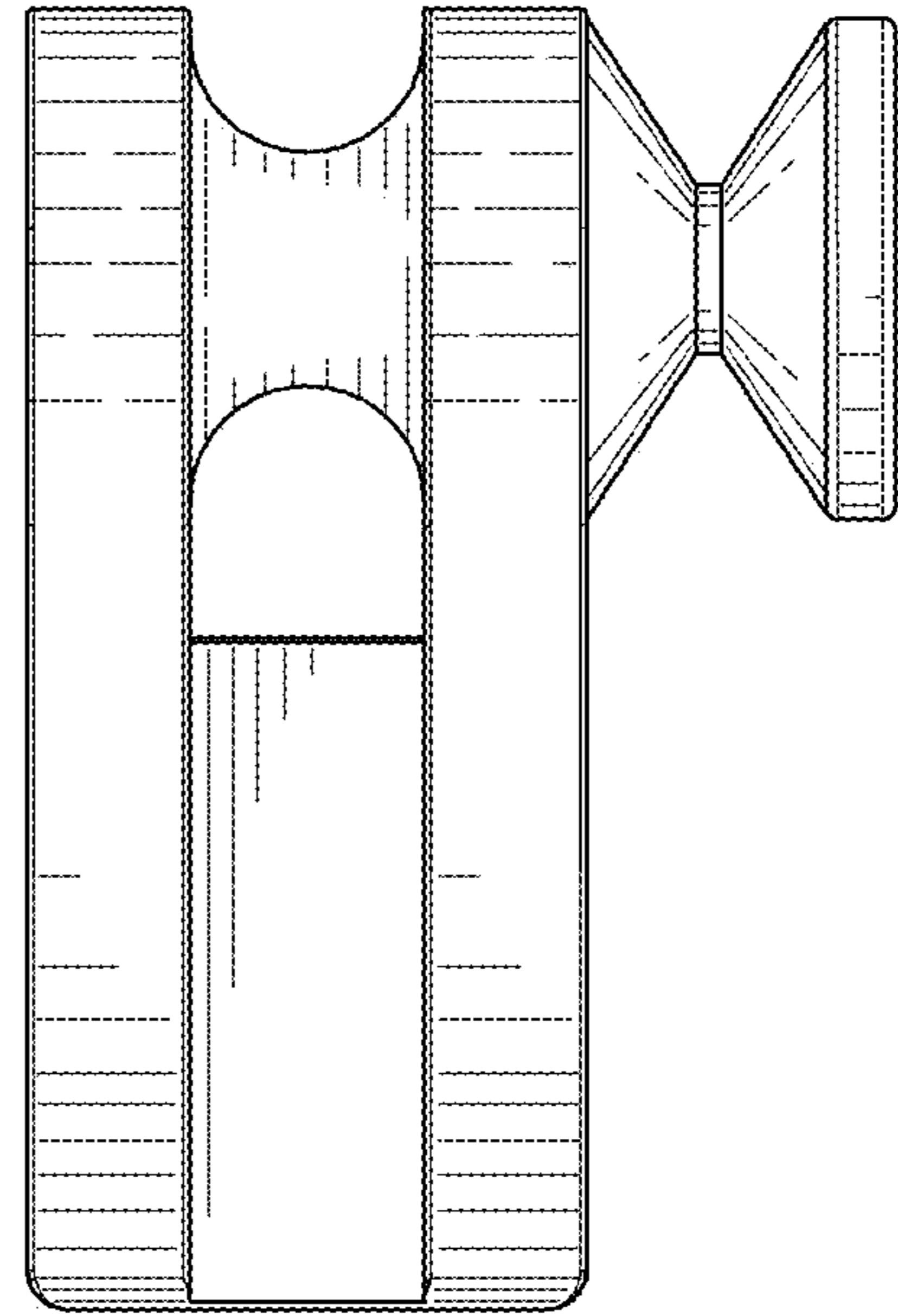


FIG. 8

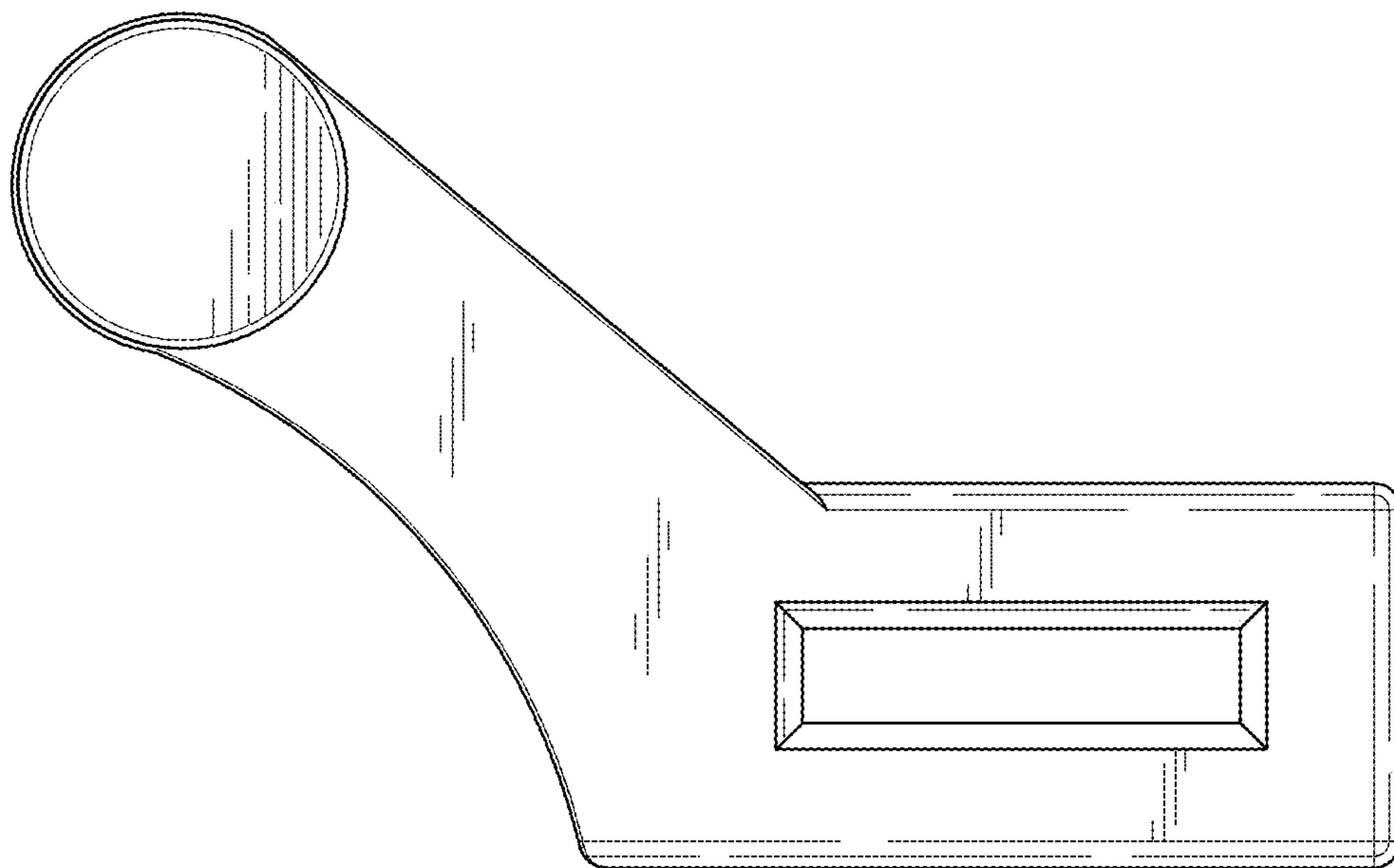


FIG. 9