



US00D903813S

(12) **United States Design Patent**
Hetman

(10) **Patent No.:** **US D903,813 S**

(45) **Date of Patent:** **** Dec. 1, 2020**

(54) **RODENT TRAP**

(71) Applicant: **Michael G. Hetman**, Otwell (IN)

(72) Inventor: **Michael G. Hetman**, Otwell (IN)

(**) Term: **15 Years**

(21) Appl. No.: **29/704,977**

(22) Filed: **Sep. 9, 2019**

(51) **LOC (12) Cl.** **22-06**

(52) **U.S. Cl.**
USPC **D22/119**

(58) **Field of Classification Search**
USPC D22/119–120; 43/58, 61, 63–65, 67, 73,
43/77, 81, 83, 90, 97, 99, 107
CPC A01M 23/00; A01M 23/06; A01M 23/08;
A01M 23/16; A01M 23/18; A01M 23/30;
A01M 23/245; A01M 31/002
See application file for complete search history.

(56) **References Cited**

U.S. PATENT DOCUMENTS

- 4,360,986 A * 11/1982 Dushey A01M 23/30
43/82
- D275,511 S * 9/1984 Nagel D22/119
- 4,472,904 A * 9/1984 Wasielewski A01M 23/30
43/81
- D519,596 S * 4/2006 Andrew D22/119
- D611,559 S * 3/2010 Crider A01M 23/30
D22/119

- 2003/0009928 A1* 1/2003 Stoddard A01M 23/26
43/77
- 2012/0260562 A1* 10/2012 Gauker A01M 23/20
43/67
- 2013/0036658 A1* 2/2013 Bayne A01M 23/005
43/81

* cited by examiner

Primary Examiner — Catherine R Oliver-Garcia
(74) *Attorney, Agent, or Firm* — Tutunjian & Bitetto, P.C.

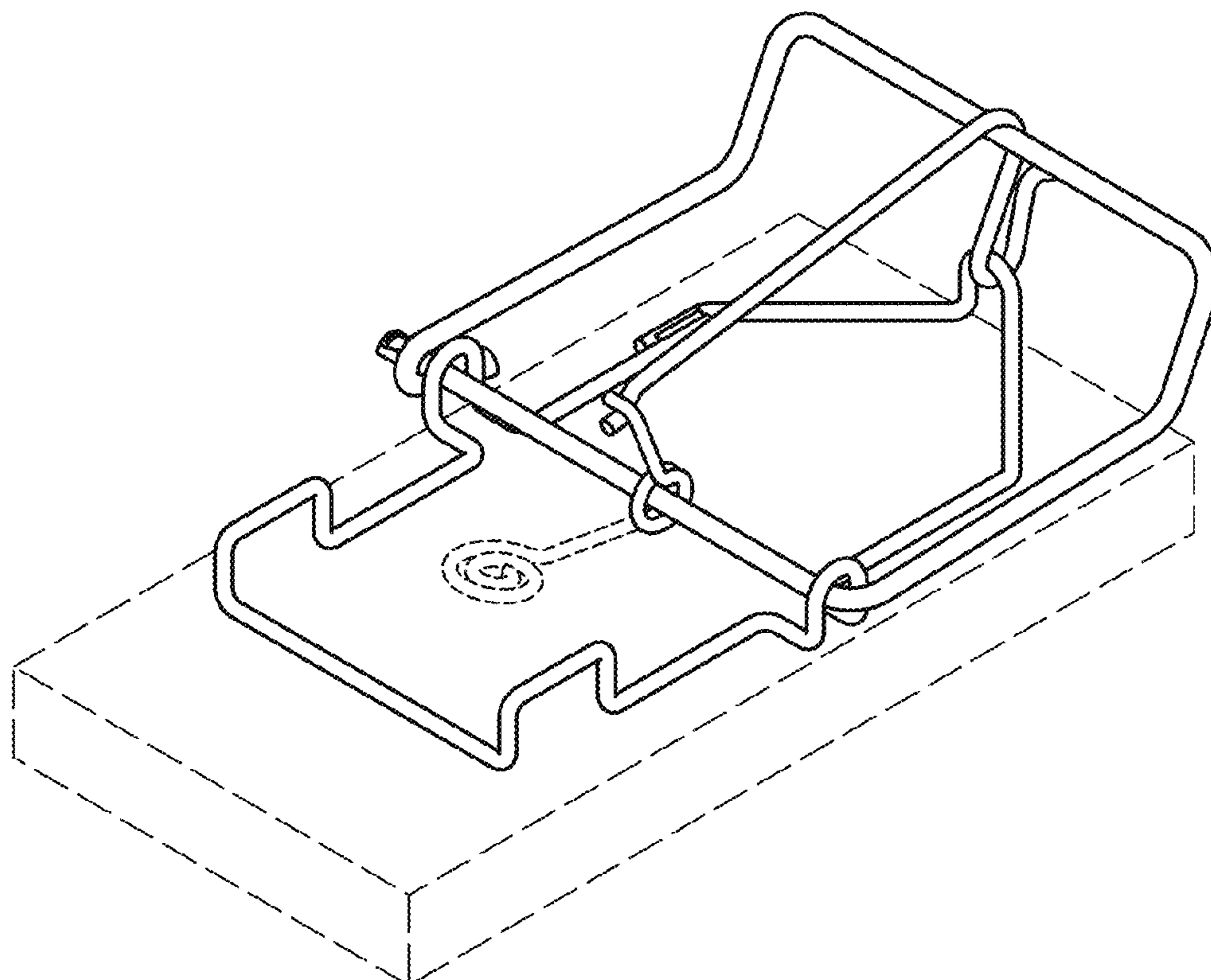
(57) **CLAIM**

The ornamental design for a rodent trap, as shown and described.

DESCRIPTION

FIG. 1 is a front perspective view of the rodent trap showing my new design;
FIG. 2 is a rear perspective view thereof;
FIG. 3 is a top view thereof;
FIG. 4 is bottom view thereof;
FIG. 5 is a left side view thereof;
FIG. 6 is a right side view thereof;
FIG. 7 is a front view thereof; and,
FIG. 8 is a rear view thereof.
The broken lines are show for illustrating environmental structure and do not form part of the claimed design.

1 Claim, 6 Drawing Sheets



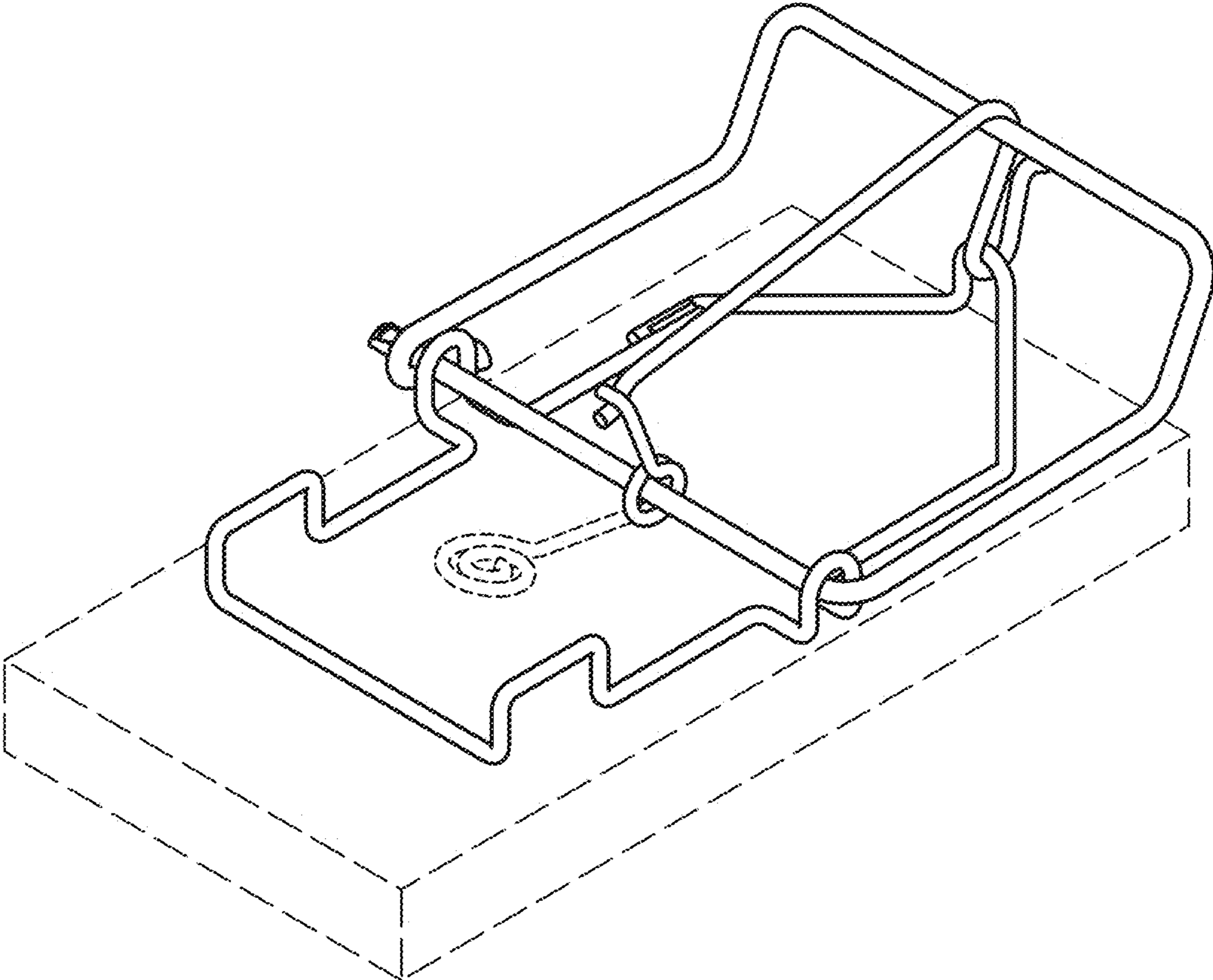


FIG. 1

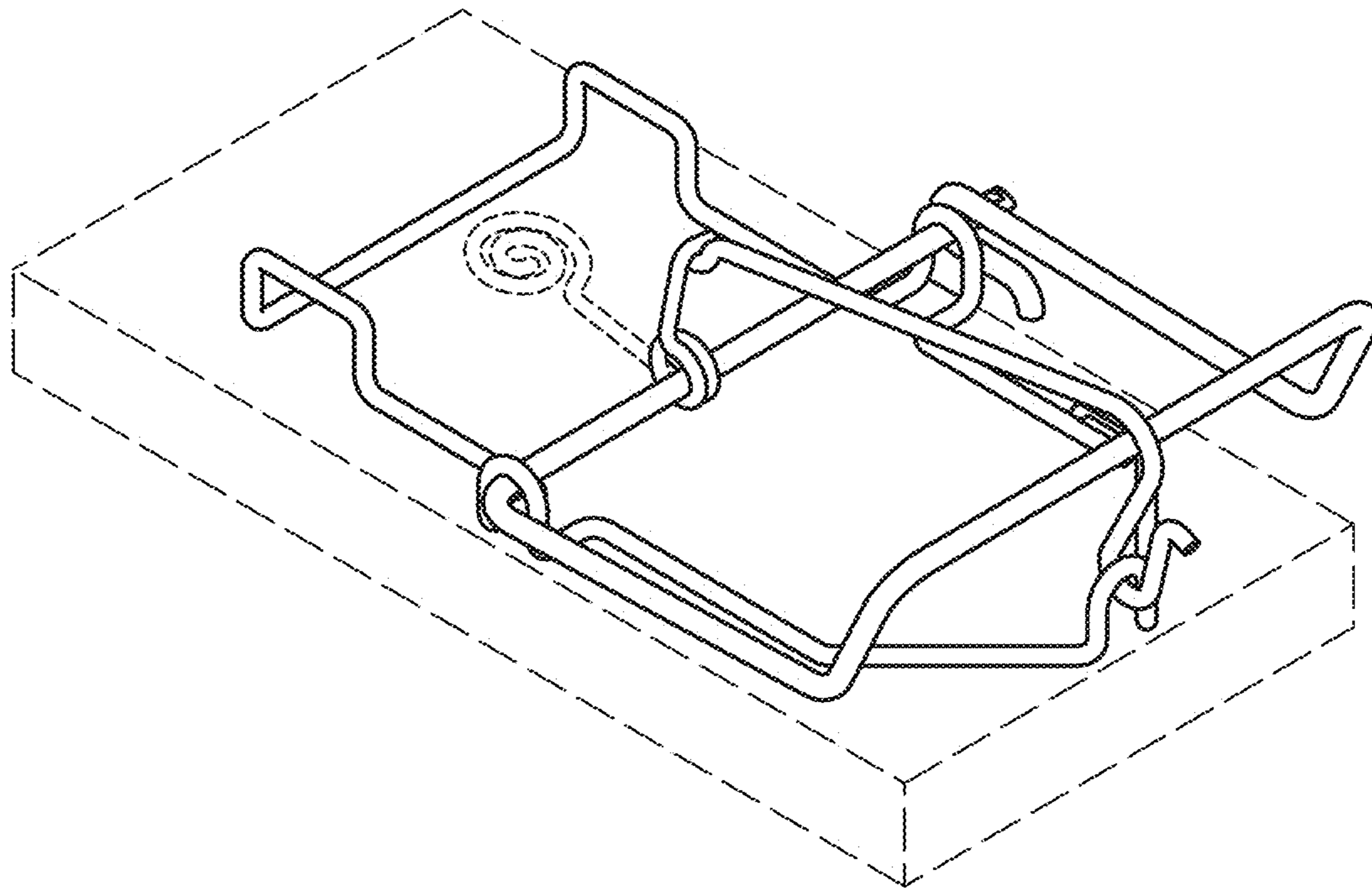


FIG. 2

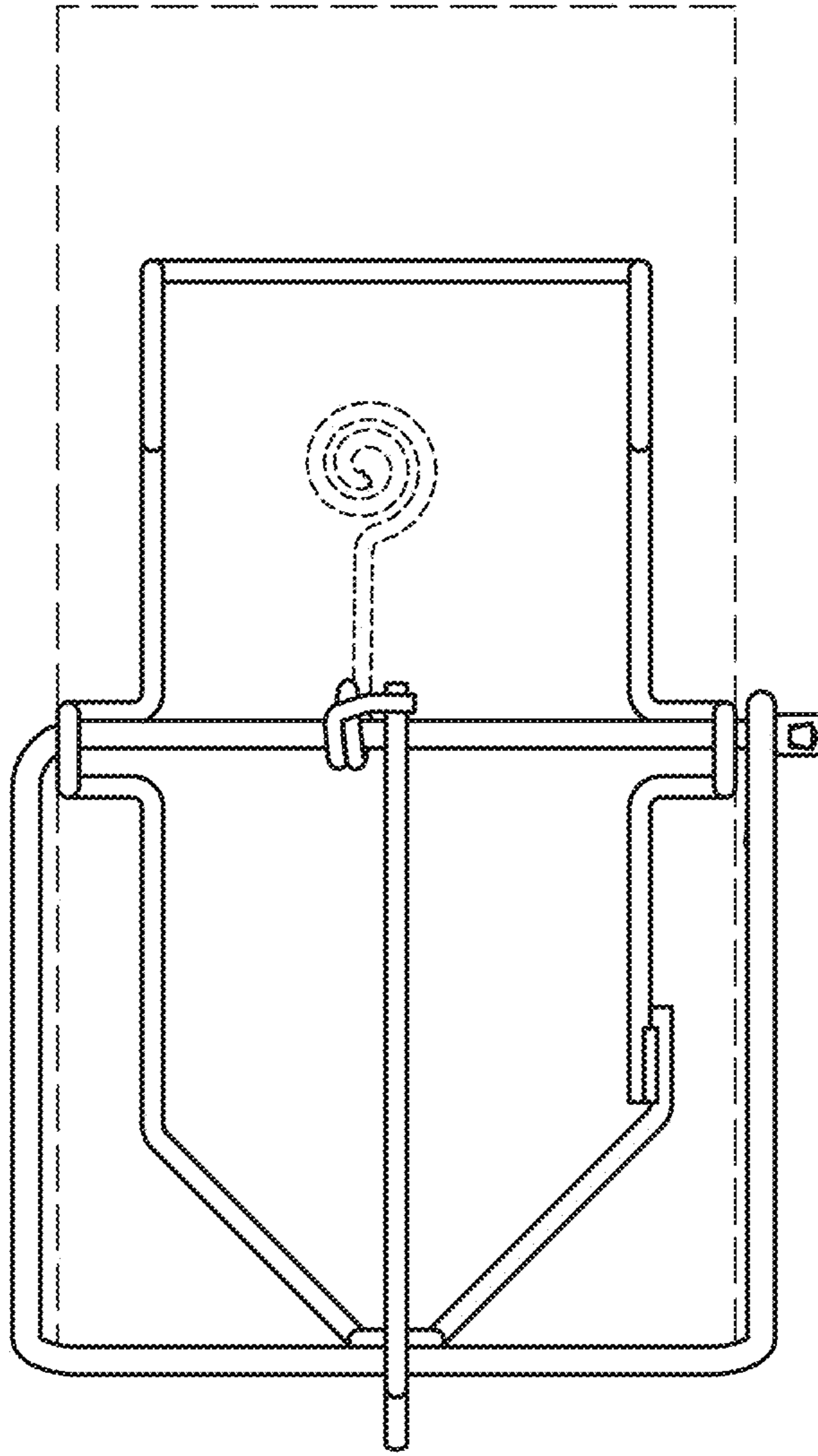


FIG. 3

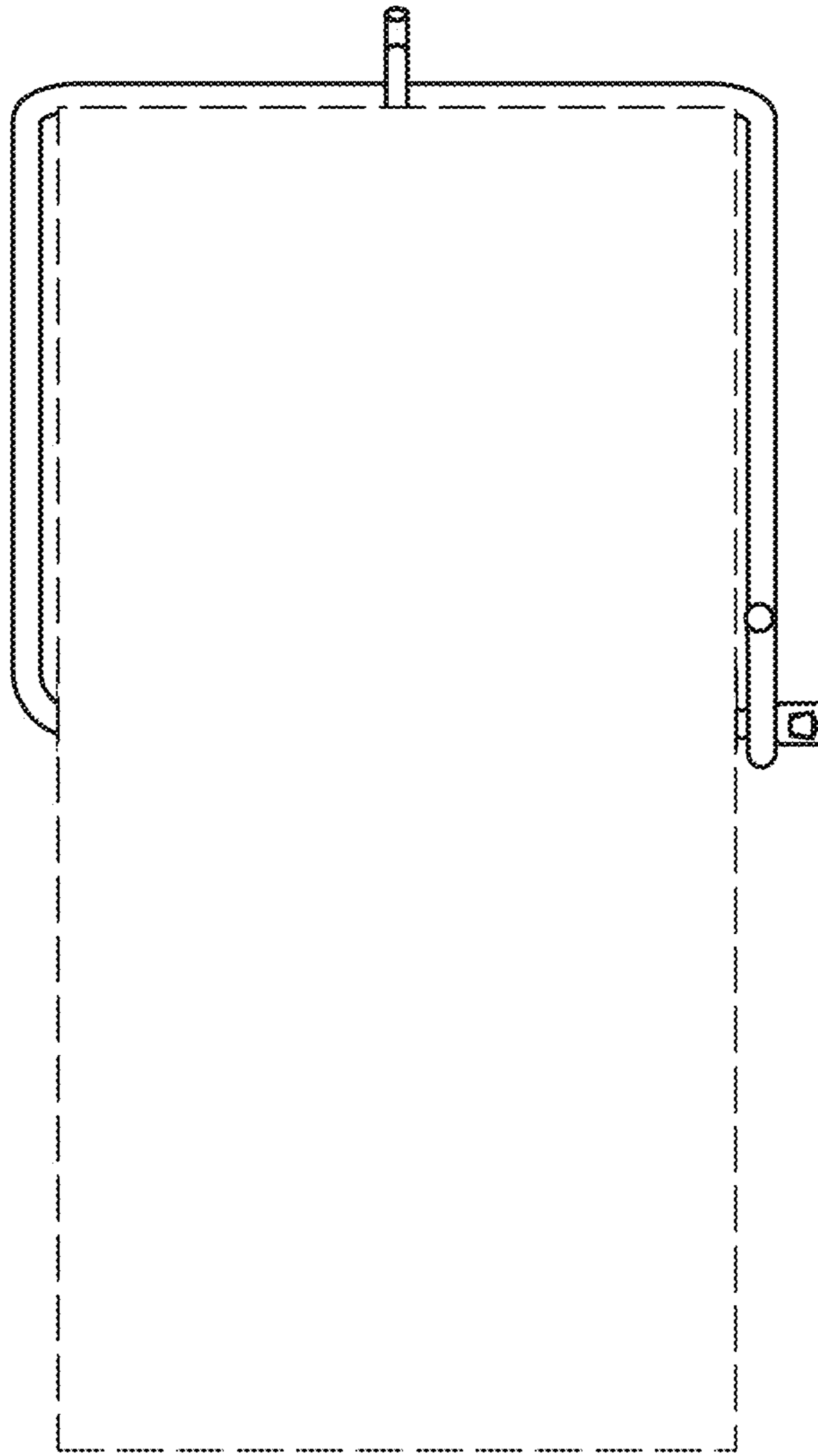


FIG. 4

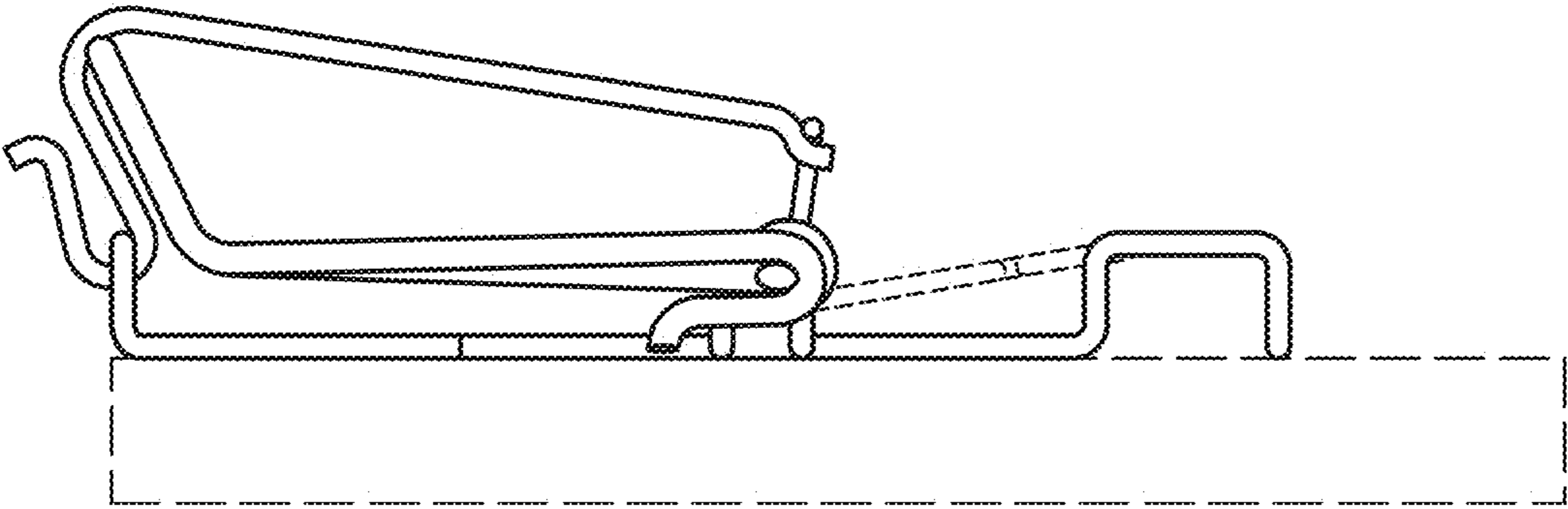


FIG. 5

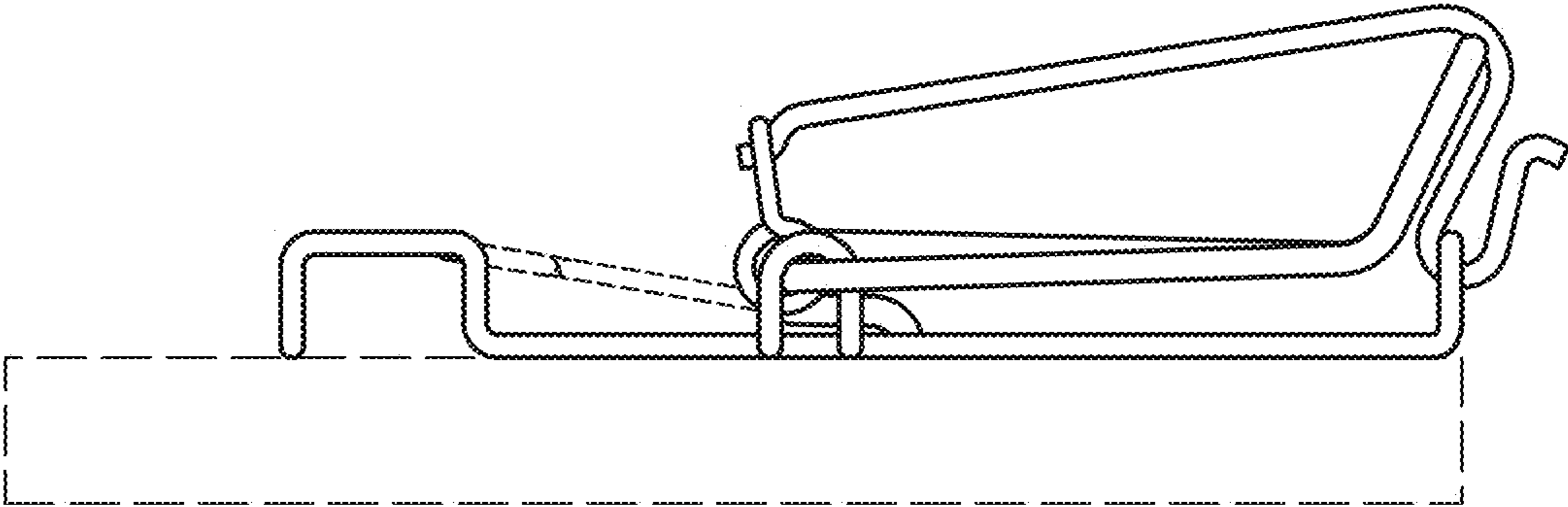


FIG. 6

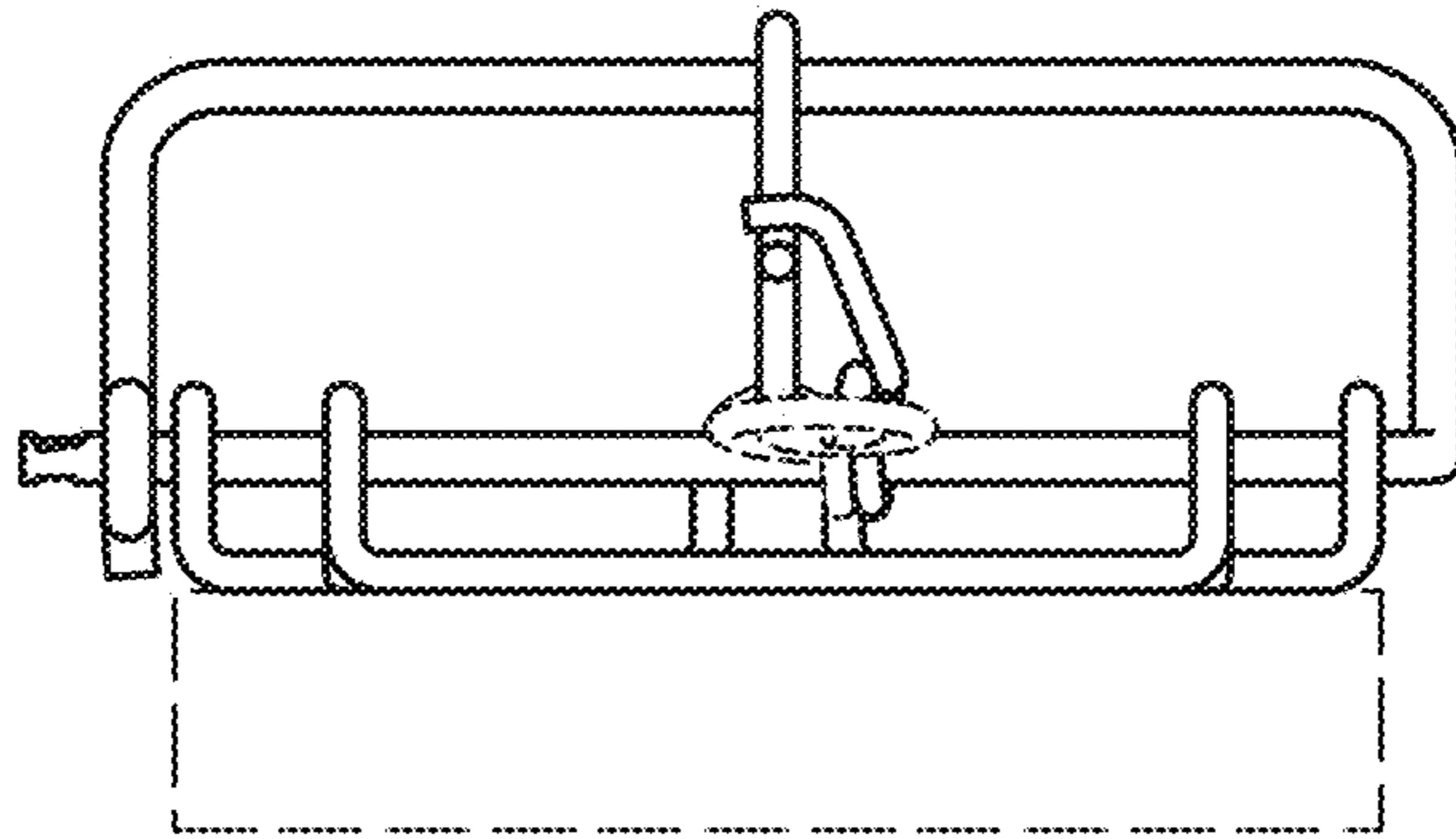


FIG. 7

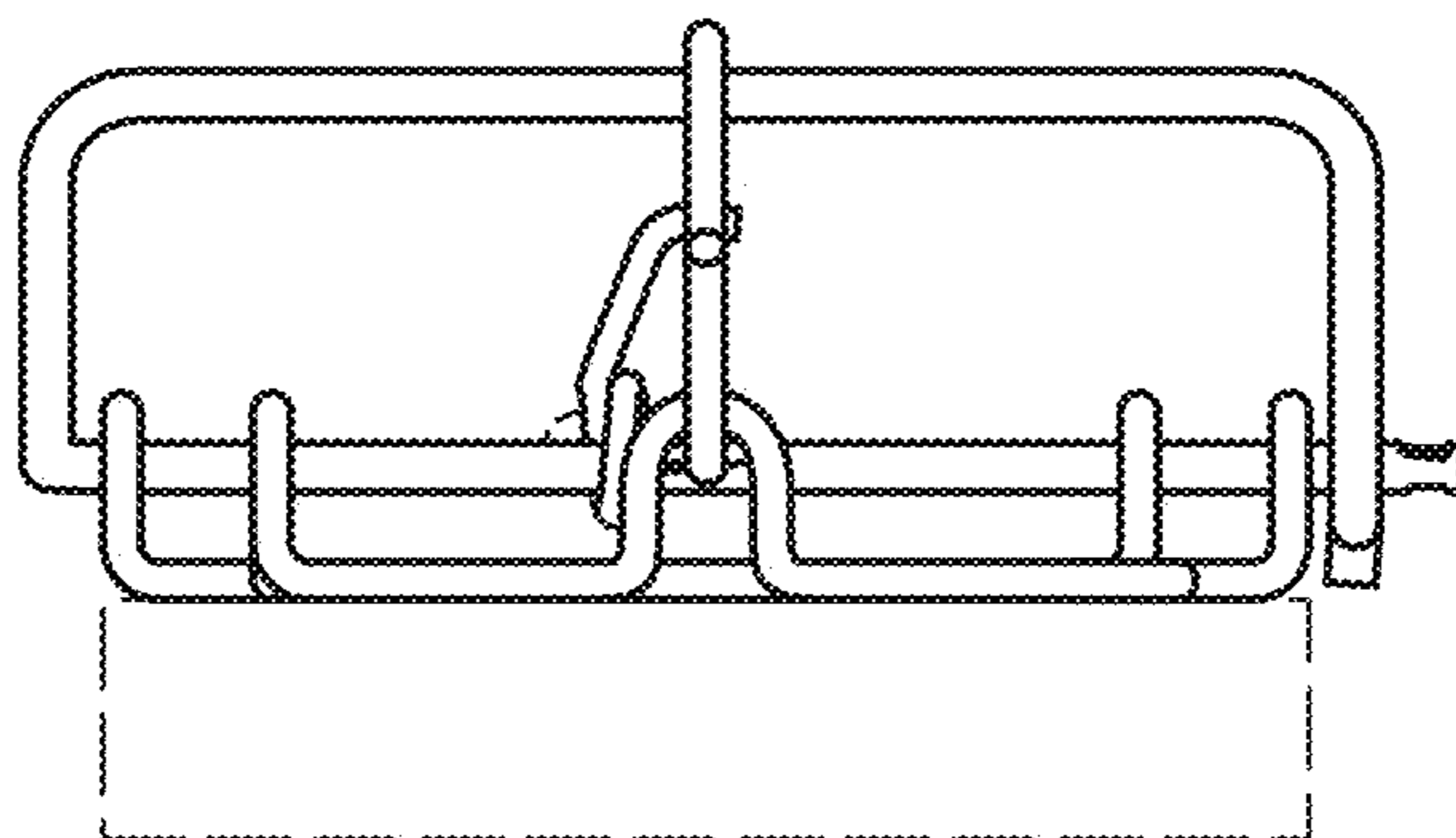


FIG. 8