

US00D903812S

(12) **United States Design Patent**  
**Buy**

(10) **Patent No.:** **US D903,812 S**

(45) **Date of Patent:** **\*\* Dec. 1, 2020**

- (54) **WAD FOR A SHOTGUN SHELL**
- (71) Applicant: **Andre Johann Buys**, Pretoria (ZA)
- (72) Inventor: **Andre Johann Buys**, Pretoria (ZA)
- (73) Assignee: **SECURITY DEVICES INTERNATIONAL INC.**, Wakefield, MA (US)
- (\*\*) Term: **15 Years**
- (21) Appl. No.: **29/670,371**
- (22) Filed: **Nov. 15, 2018**
- (51) **LOC (12) Cl.** ..... **22-03**
- (52) **U.S. Cl.**  
USPC ..... **D22/115**
- (58) **Field of Classification Search**  
USPC ..... D22/100, 103, 108, 109, 110, 111, 113,  
D22/115, 116, 199; D21/567, 573  
CPC ..... F41A 23/08; F41A 23/10; F41A 21/16;  
F41A 21/22; F41C 23/00; F41C 7/00;  
F41J 1/10; F41G 1/30  
See application file for complete search history.

- 3,812,784 A \* 5/1974 Herter ..... F42B 7/08  
102/451
- 3,974,775 A \* 8/1976 Kerzman ..... F42B 7/08  
102/451
- 4,004,522 A \* 1/1977 Furniss ..... F42B 7/08  
102/451
- 4,151,799 A \* 5/1979 Jackson ..... F42B 7/08  
102/451

(Continued)

**OTHER PUBLICATIONS**

“The Quest for the Perfect, All-In-One, Homebrew Shotgun Slug Load” [online]. guns.com. [Published on May 19, 2017]. Retrieved from the Internet: <<https://www.guns.com/news/2017/05/19/homebrew-12-gauge-slug-loads-the-punk-rock-rounds-of-handloading>>.\*

(Continued)

*Primary Examiner* — Khawaja Anwar  
*Assistant Examiner* — Mojtaba Tehrani  
(74) *Attorney, Agent, or Firm* — Nath, Goldberg & Meyer; Joshua B. Goldberg

(57) **CLAIM**

The ornamental design for a wad for a shotgun shell, as shown and described.

**DESCRIPTION**

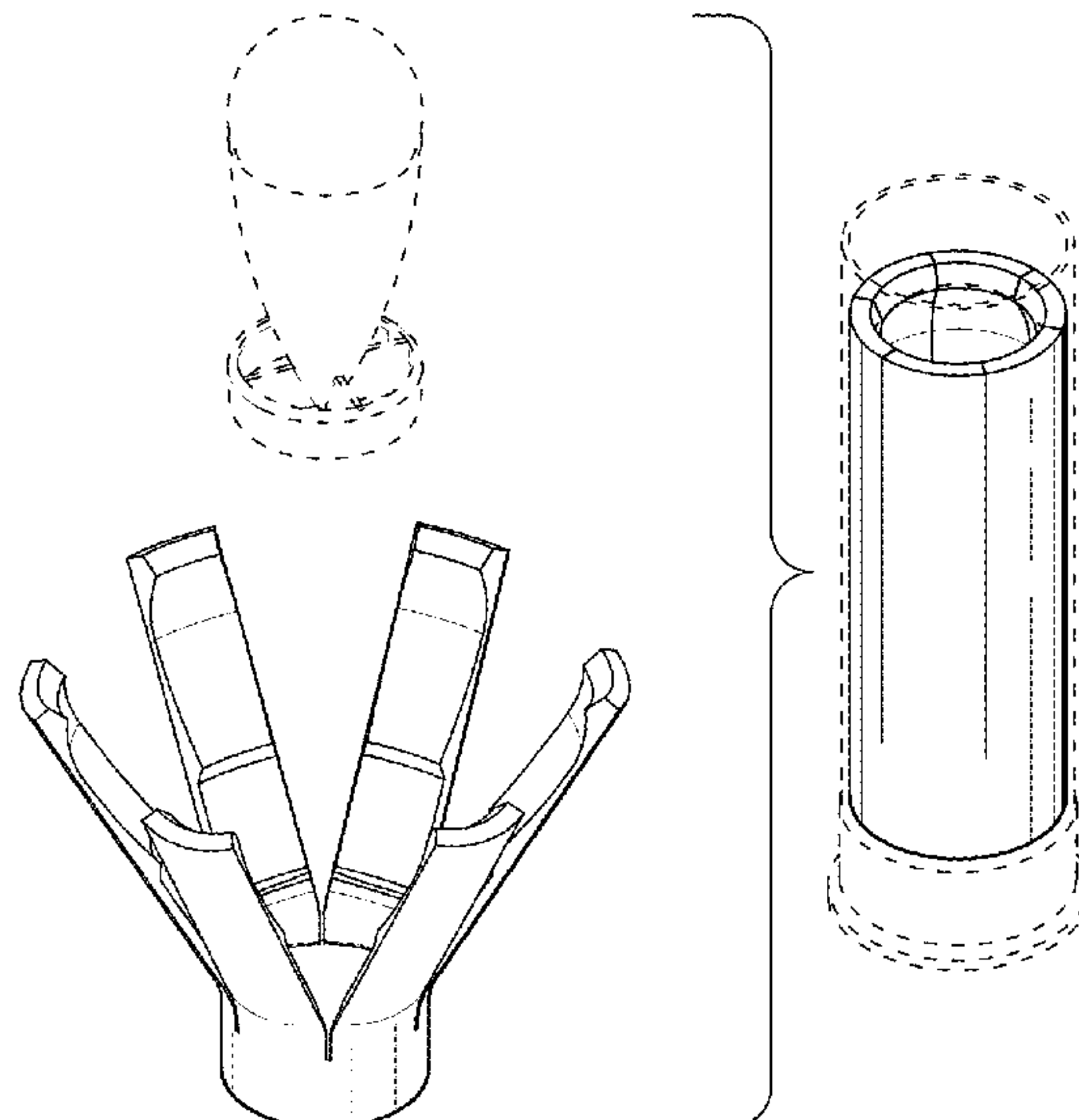
FIG. 1 is an exploded perspective view of a wad for a shotgun shell, showing my new design, which is shaped to receive the unclaimed projectile shown in broken lines; FIG. 2 is a perspective view thereof, with the wad for a shotgun shell in assembled configuration; FIG. 3 is an exploded perspective view thereof; FIG. 4 is a perspective view thereof; FIG. 5 is a side elevation view thereof; and, FIG. 6 is a section cut view taken along the line VI-VI'. The broken line in the drawings depicts unclaimed environment only and forms no part of the claimed design.

**1 Claim, 3 Drawing Sheets**

(56) **References Cited**

**U.S. PATENT DOCUMENTS**

- 3,279,375 A \* 10/1966 Herter ..... F42B 7/08  
102/451
- 3,469,527 A \* 9/1969 Pace ..... F42B 7/08  
102/451
- 3,565,010 A \* 2/1971 Sahlmann ..... F42B 7/08  
102/453
- 3,662,683 A \* 5/1972 Merritt ..... F42B 7/08  
102/451
- 3,722,420 A \* 3/1973 Herter ..... F42B 7/08  
102/451
- 3,727,557 A \* 4/1973 Starcevic ..... F42B 7/08  
102/451
- 3,750,579 A \* 8/1973 Bellington ..... F42B 7/08  
102/451



(56)

**References Cited**

U.S. PATENT DOCUMENTS

D314,806 S \* 2/1991 Cole ..... D22/116  
 5,361,701 A \* 11/1994 Stevens ..... C06B 33/00  
 102/450  
 5,623,118 A \* 4/1997 Jackson ..... F42B 7/08  
 102/451  
 6,260,484 B1 \* 7/2001 Billings ..... F42B 7/08  
 102/453  
 8,220,393 B2 \* 7/2012 Schluckebier ..... F42B 7/08  
 102/448  
 9,212,879 B2 \* 12/2015 Whitworth ..... F42B 5/24  
 D809,622 S \* 2/2018 Moser ..... D22/115  
 D810,226 S \* 2/2018 Carlson ..... D22/115  
 D836,180 S \* 12/2018 Burrow ..... C22C 38/02  
 D22/116  
 D847,293 S \* 4/2019 Moser ..... D22/115  
 D847,294 S \* 4/2019 Carlson ..... D22/115

10,422,611 B1 \* 9/2019 Moser ..... F42B 7/043  
 D865,117 S \* 10/2019 Buys ..... D22/115  
 D866,701 S \* 11/2019 Mank ..... D22/116  
 2010/0192794 A1 \* 8/2010 Cross ..... F42B 7/08  
 102/450  
 2013/0228090 A1 \* 9/2013 Billings ..... F42B 7/08  
 102/457  
 2014/0076187 A1 \* 3/2014 Schluckebier ..... F42B 7/08  
 102/448  
 2014/0366765 A1 \* 12/2014 Havens ..... F42B 7/08  
 102/532

OTHER PUBLICATIONS

“Remington—Shotgun Wads” [online]. brownells.com. [Retrieved on Dec. 31, 2019]. Retrieved from the Internet: <<https://www.brownells.com/reloading/wads/shotgun-wads-prod54053.aspx>>.\*

\* cited by examiner

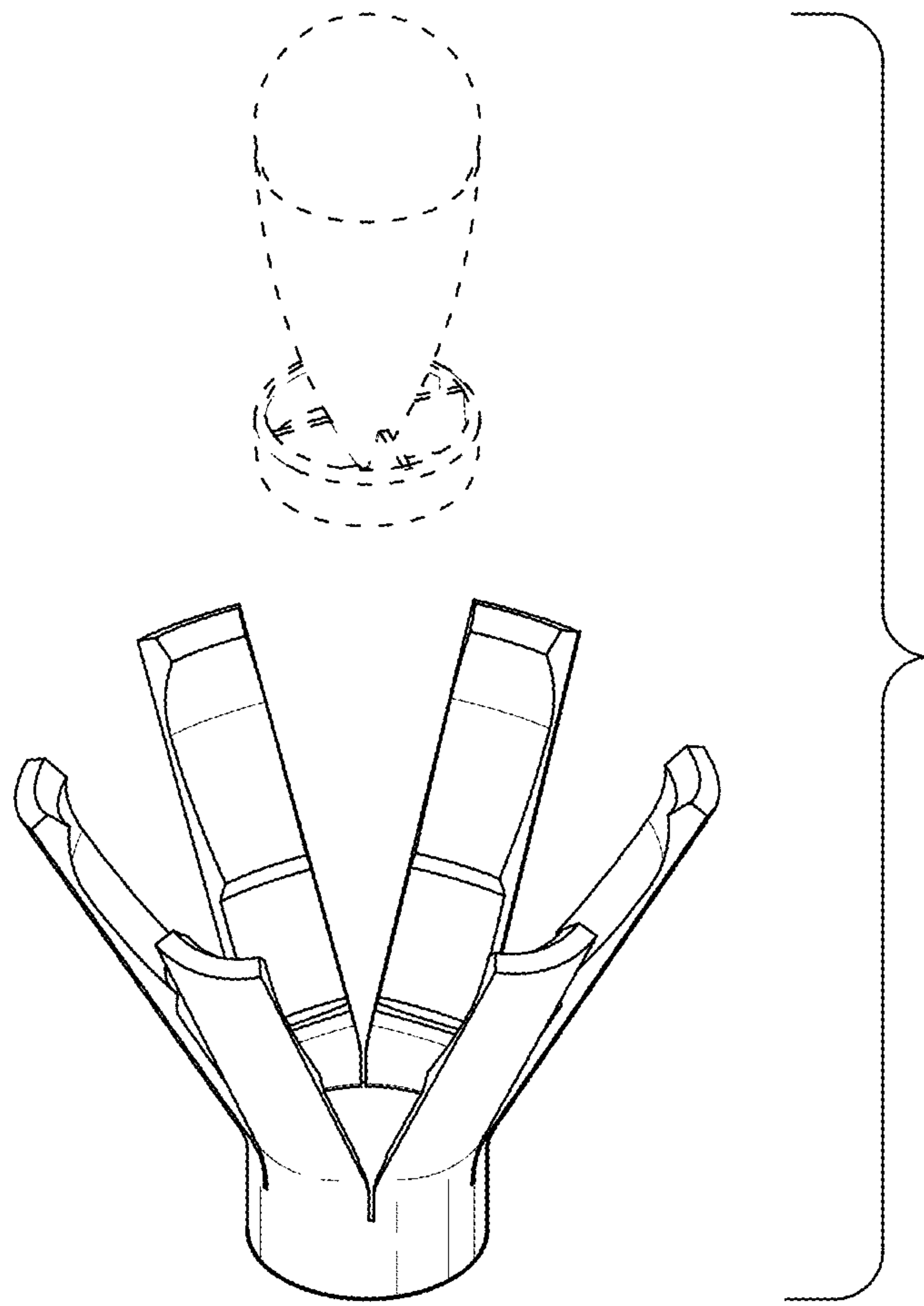


FIG. 1

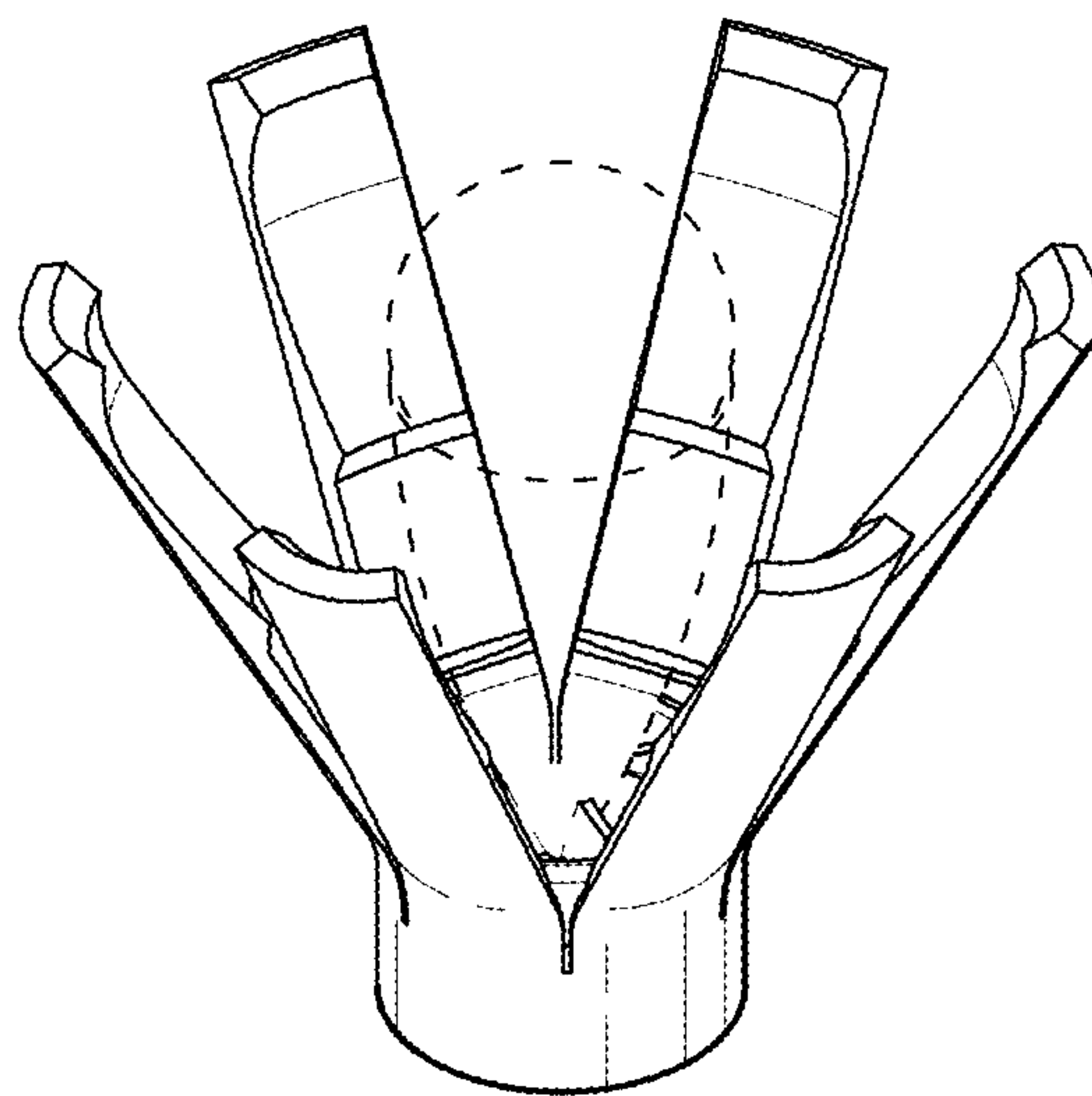


FIG. 2

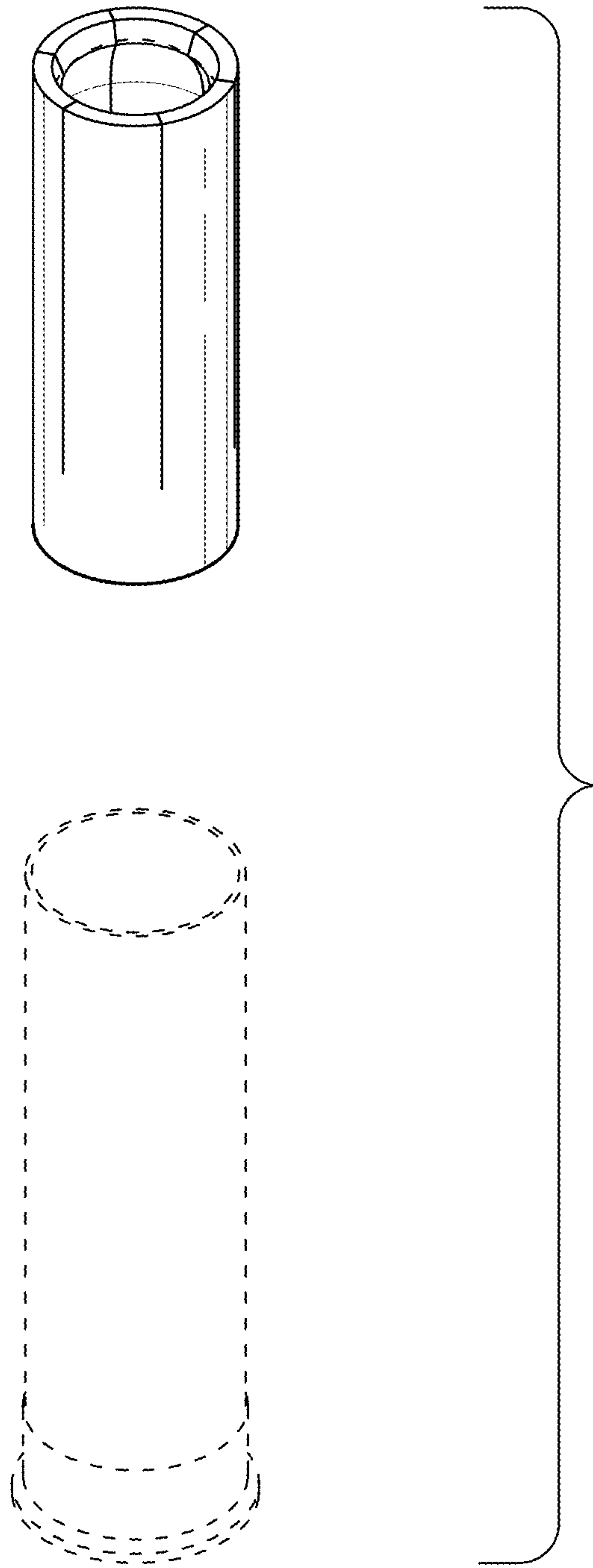


FIG. 3

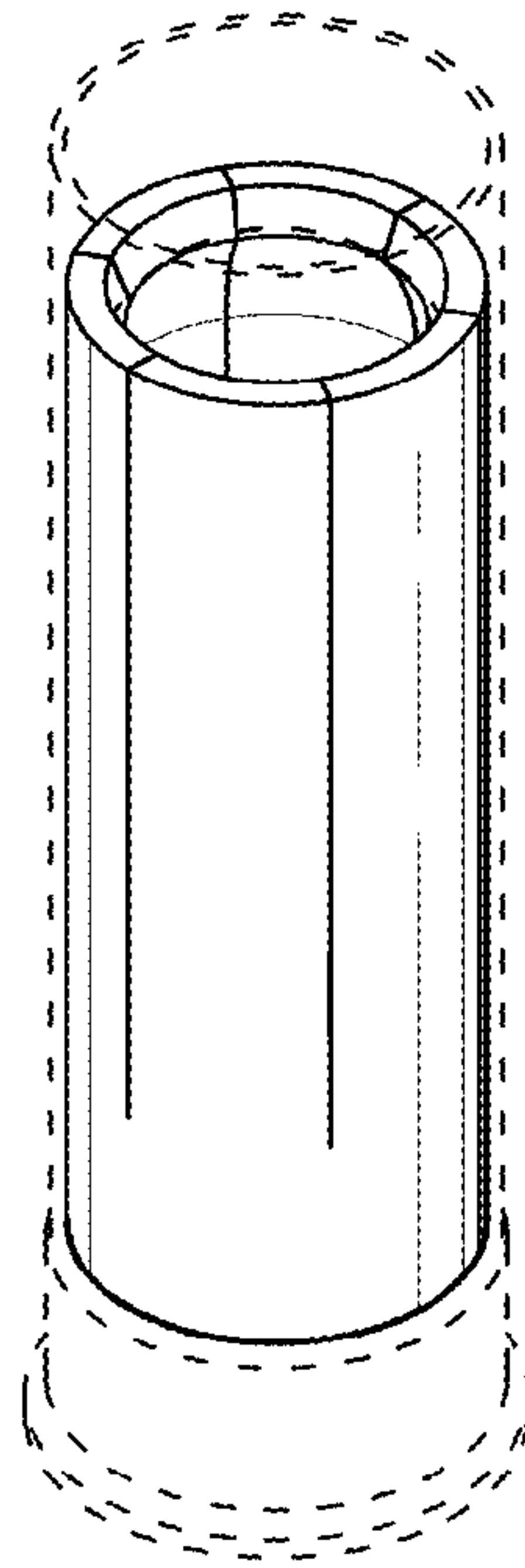


FIG. 4

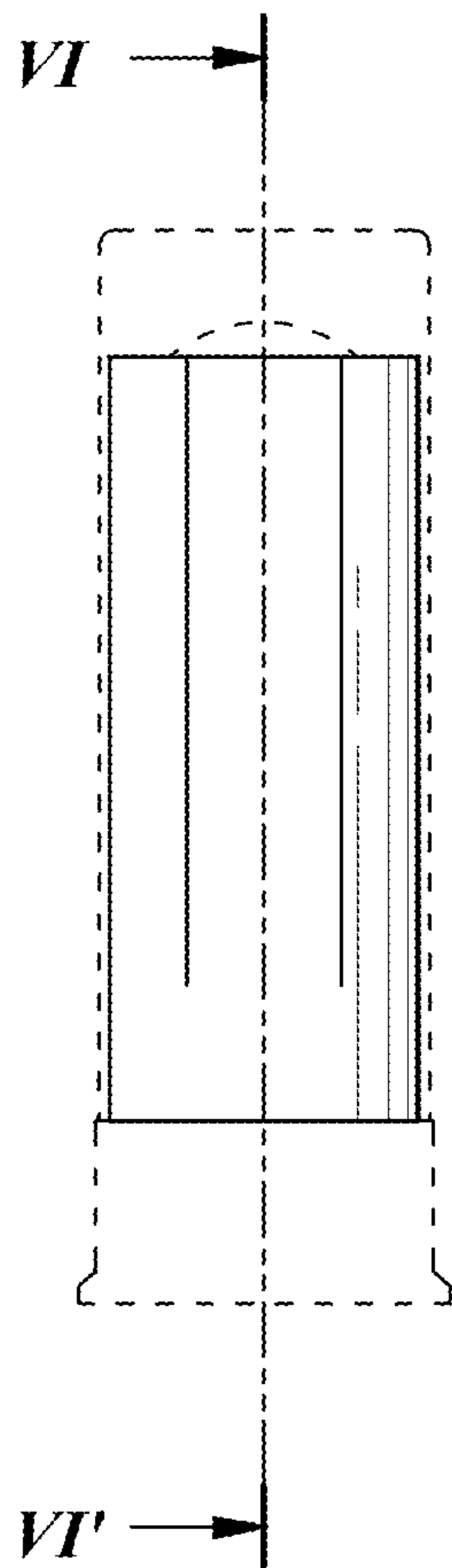


FIG. 5

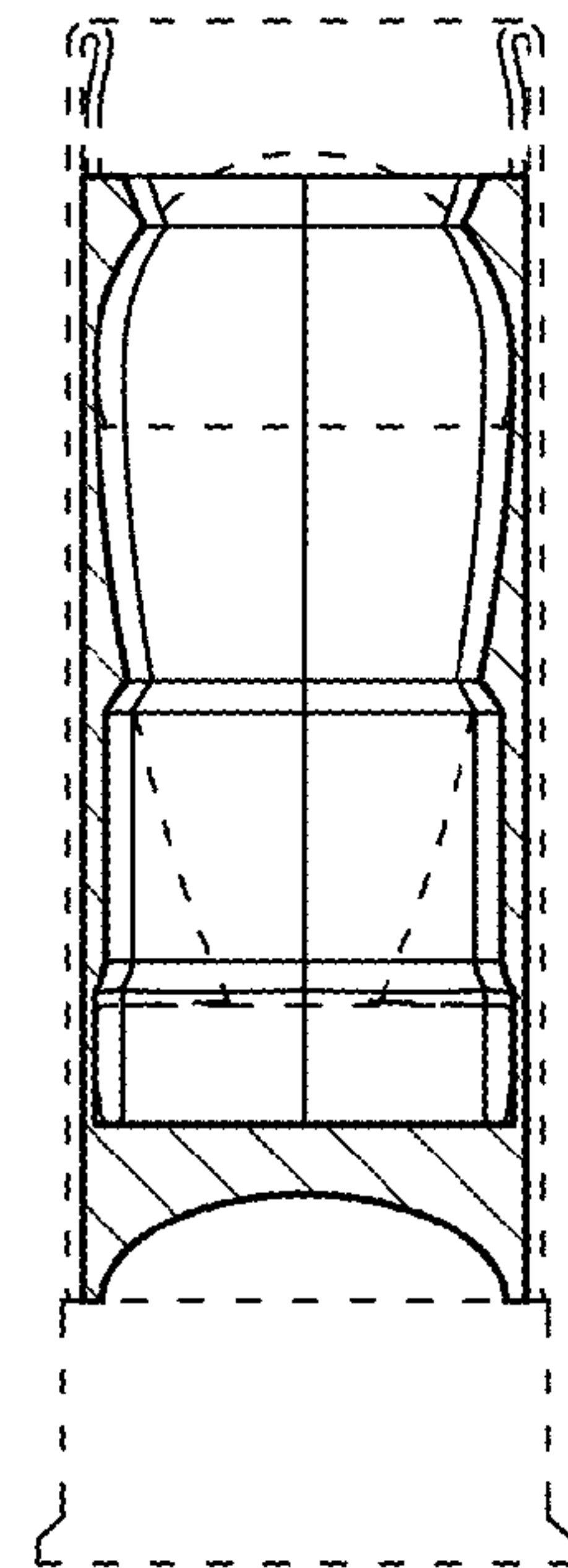


FIG. 6