



US00D903811S

(12) **United States Design Patent** (10) **Patent No.:** **US D903,811 S**
Engler et al. (45) **Date of Patent:** **** Dec. 1, 2020**

- (54) **TARGET STAND**
- (71) Applicant: **P&P IMPORTS LLC**, Santa Ana, CA (US)
- (72) Inventors: **Peter H Engler**, Newport Beach, CA (US); **Peter Tanoury**, Newport Beach, CA (US)
- (73) Assignee: **P&P Imports LLC**, Irvine, CA (US)
- (**) Term: **15 Years**
- (21) Appl. No.: **29/706,349**
- (22) Filed: **Sep. 19, 2019**
- (51) **LOC (12) Cl.** **22-04**
- (52) **U.S. Cl.**
USPC **D22/113**
- (58) **Field of Classification Search**
USPC D22/113, 199; D21/302, 790
CPC ... A47F 5/02; A47F 5/04; A47F 7/0064; F41J 1/00; F41J 1/10
See application file for complete search history.

- (56) **References Cited**
- U.S. PATENT DOCUMENTS
- 2,646,175 A * 7/1953 Beauvais A47F 5/04 211/194
- 2,650,717 A * 9/1953 Larson A47F 5/04 211/196
- 3,524,616 A * 8/1970 Marschak A47B 57/425 248/188.7
- D260,674 S * 9/1981 Simmons D22/107

- 5,785,185 A * 7/1998 Klebba A47F 7/08 211/163
- D787,010 S * 5/2017 Krasnov D22/113
- 2006/0231720 A1 * 10/2006 Smith B65D 5/52 248/460
- 2009/0127138 A1 * 5/2009 Allameh A47F 7/02 206/6.1
- 2020/0146468 A1 * 5/2020 Liu A47F 5/02

* cited by examiner

Primary Examiner — Michael A. Pratt
 (74) *Attorney, Agent, or Firm* — Michael J. DiCato

(57) **CLAIM**

The ornamental design for a target stand, as shown and described.

DESCRIPTION

FIG. 1 is a perspective view of a target stand showing the claimed design.

FIG. 2 is a perspective view of the target stand in use shown in FIG. 1.

FIG. 3 is a left view of the target stand shown in FIG. 1.

FIG. 4 is a right view of the target stand shown in FIG. 1.

FIG. 5 is a front view of the target stand shown in FIG. 1.

FIG. 6 is a back view of the target stand shown in FIG. 1.

FIG. 7 is a top view of the target stand shown in FIG. 1; and, FIG. 8 is a bottom view of the target stand shown in FIG. 1.

The broken lines in the figures show portions of the target stand that form no part of the claimed design.

1 Claim, 8 Drawing Sheets

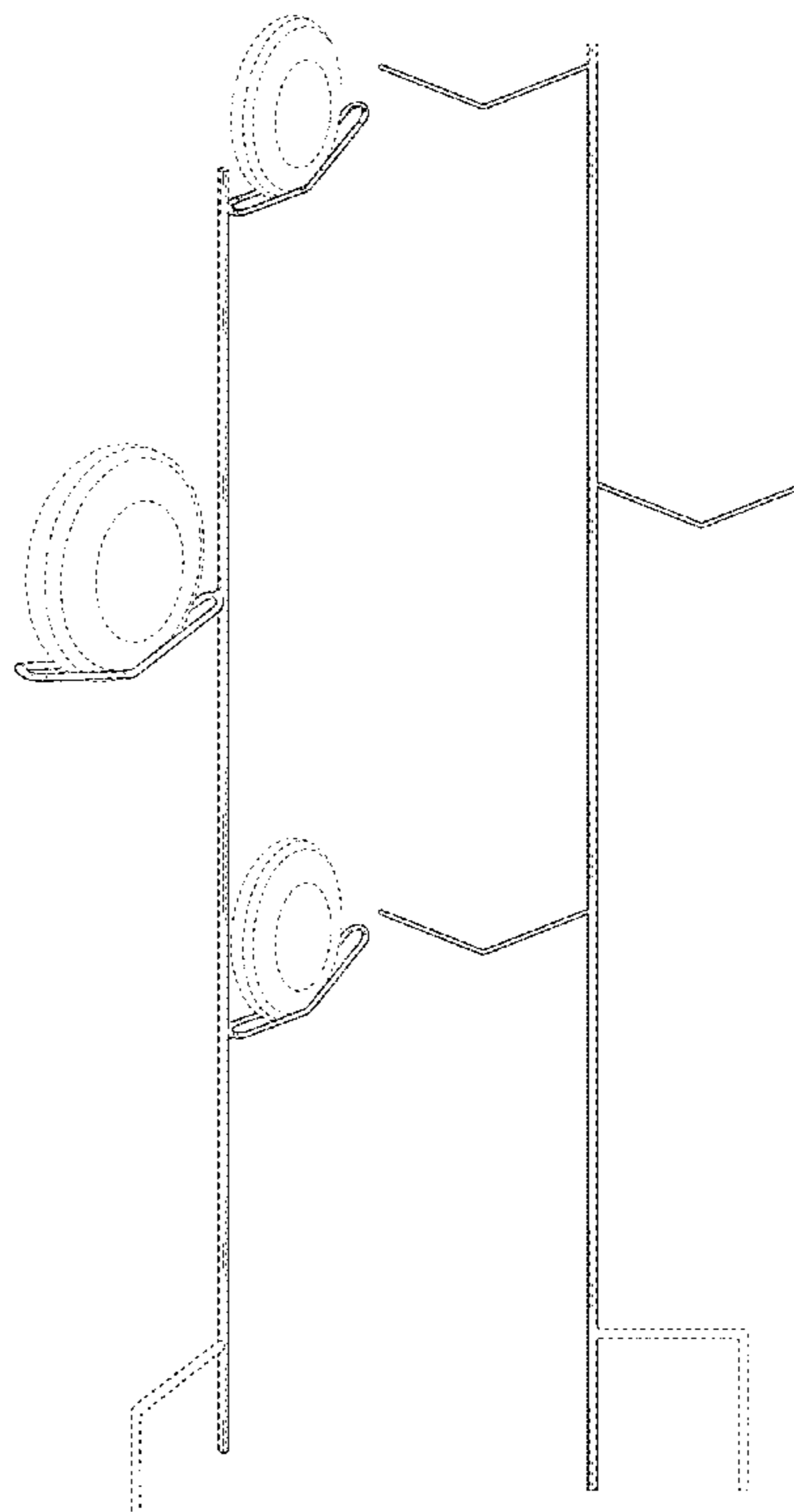


FIG. 1

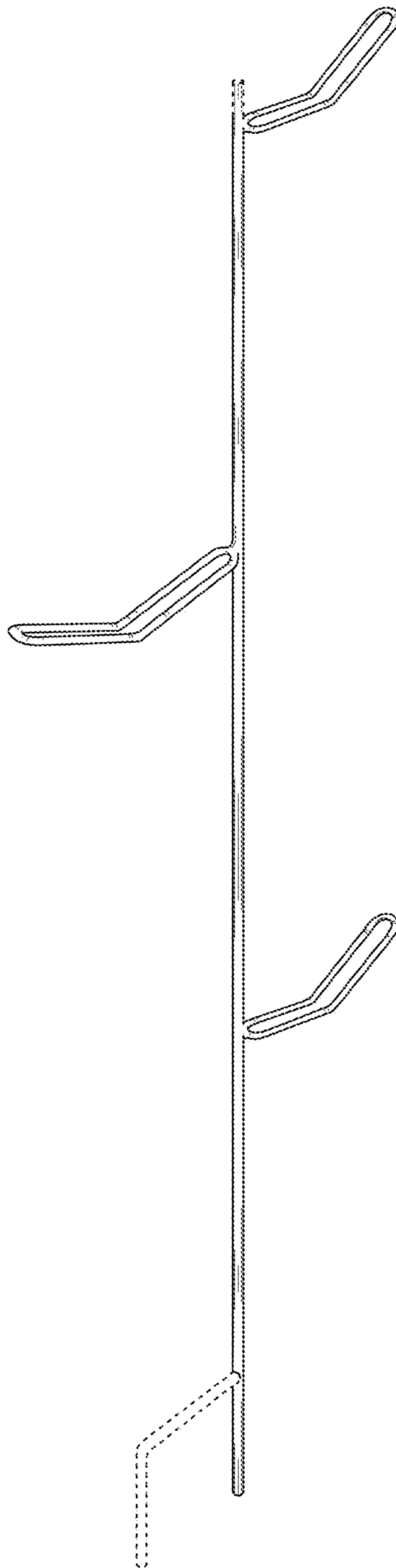


FIG. 2

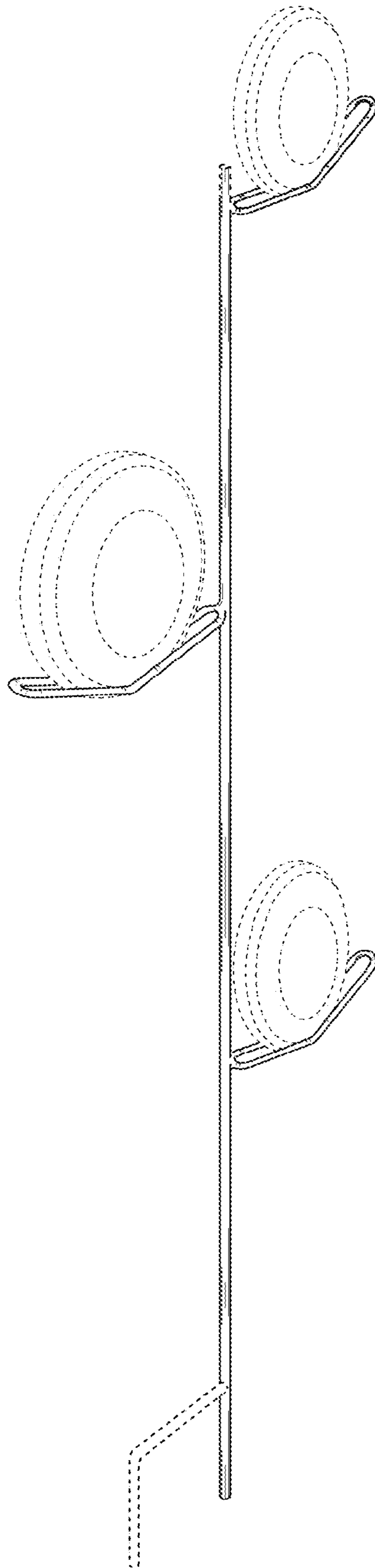


FIG. 3

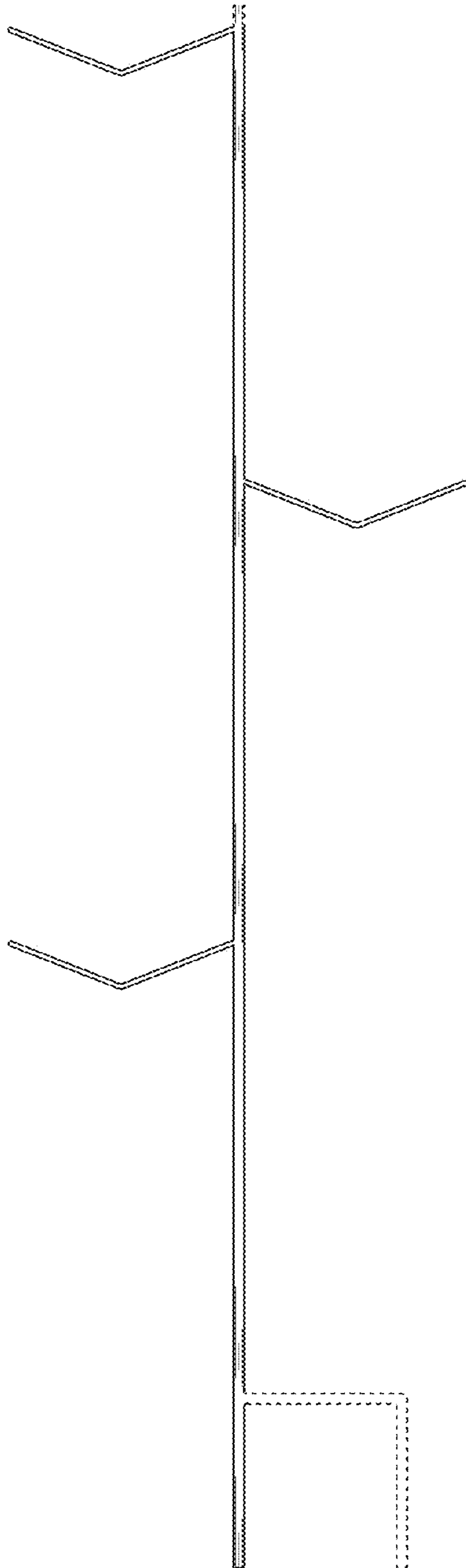


FIG. 4

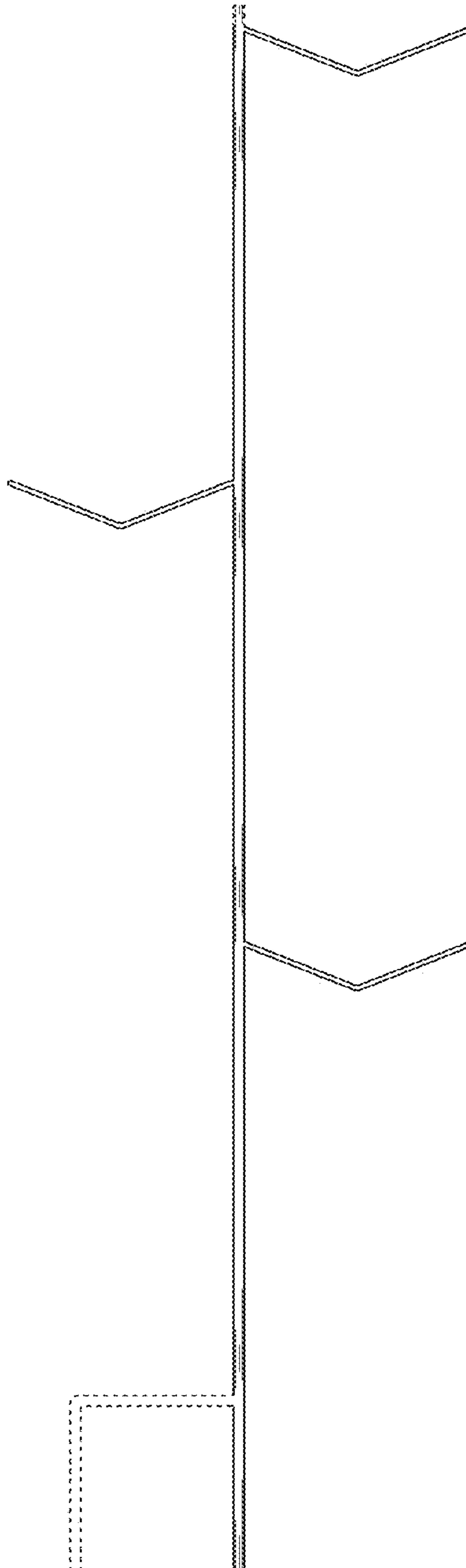


FIG. 5

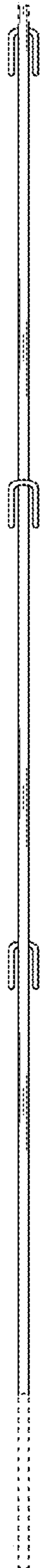


FIG. 6

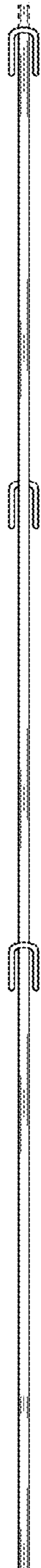


FIG. 7



FIG. 8

