



US00D903810S

(12) **United States Design Patent**
Wu

(10) **Patent No.:** **US D903,810 S**

(45) **Date of Patent:** **** Dec. 1, 2020**

(54) **MAGNETIC GUN MOUNT**

(71) Applicant: **Qingqu Wu**, Shenzhen (CN)

(72) Inventor: **Qingqu Wu**, Shenzhen (CN)

(**) Term: **15 Years**

(21) Appl. No.: **29/739,653**

(22) Filed: **Jun. 28, 2020**

(51) **LOC (12) Cl.** **22-01**

(52) **U.S. Cl.**
USPC **D22/110**

(58) **Field of Classification Search**
USPC D22/110; D6/368, 552; D8/349, 353,
D8/373, 380
CPC A47B 81/005; F41G 11/004; B60R 7/14
See application file for complete search history.

(56) **References Cited**

U.S. PATENT DOCUMENTS

D806,818 S 1/2018 Major
10,024,615 B1 * 7/2018 Oh E05B 47/0001
D835,748 S 12/2018 Stewart
D882,718 S * 4/2020 Wu D22/110

2015/0377578 A1* 12/2015 Tucker F41A 23/18
248/309.4
2018/0142989 A1* 5/2018 Tedder F41C 33/041
2020/0049444 A1* 2/2020 Cerda F41A 23/18

* cited by examiner

Primary Examiner — Michael A. Pratt

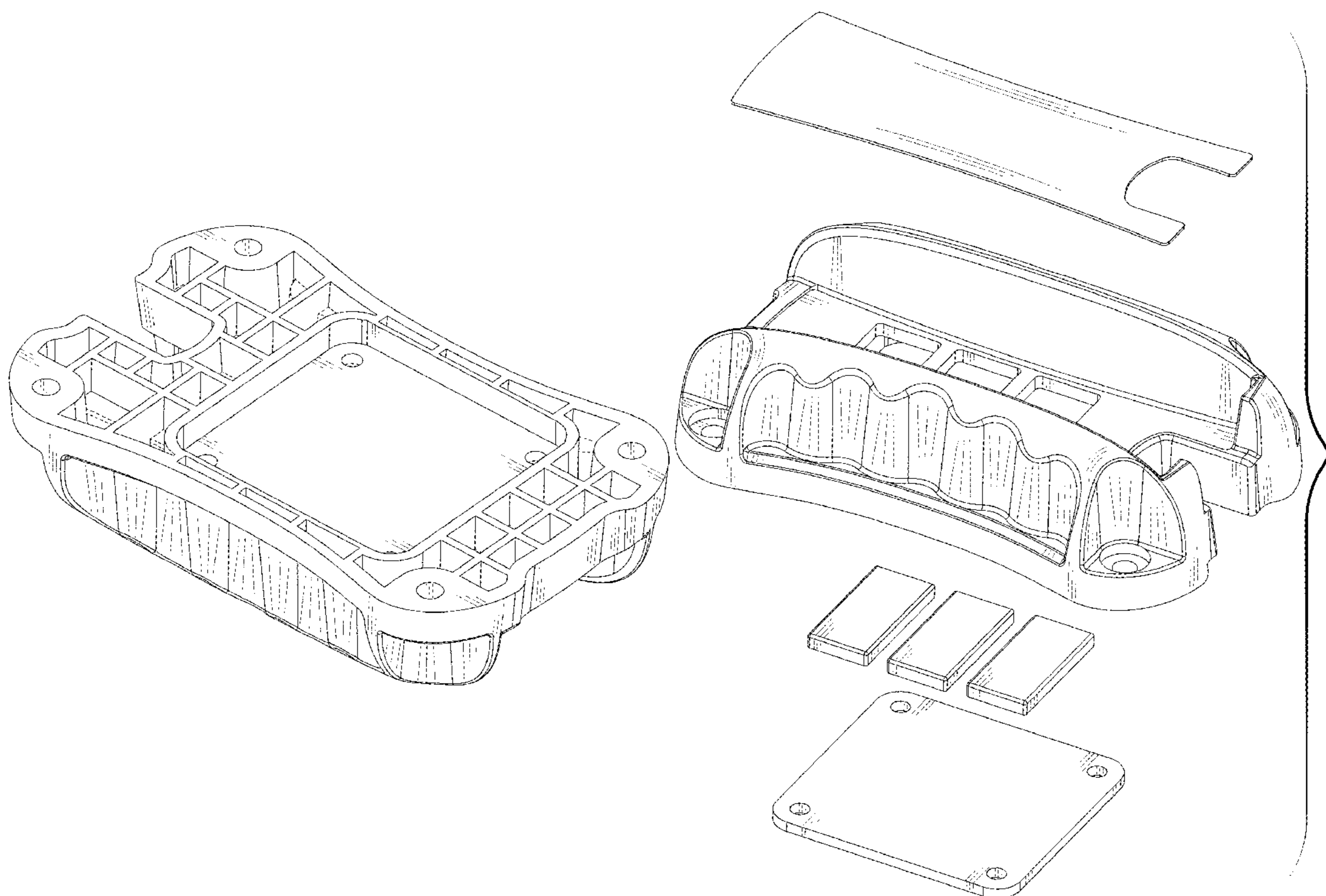
(57) **CLAIM**

The ornamental design for a magnetic gun mount, as shown and described.

DESCRIPTION

FIG. 1 is a perspective view of the magnetic gun mount showing my new design;
FIG. 2 is a front elevational view thereof;
FIG. 3 is a rear elevational view thereof;
FIG. 4 is a left side elevational view thereof;
FIG. 5 is a right side elevational view thereof;
FIG. 6 is a top plan view thereof;
FIG. 7 is a bottom plan view thereof;
FIG. 8 is another perspective view thereof; and,
FIG. 9 is an exploded perspective view thereof.
The broken lines illustrate portions of the magnetic gun mount that form no part of the claimed design.

1 Claim, 9 Drawing Sheets



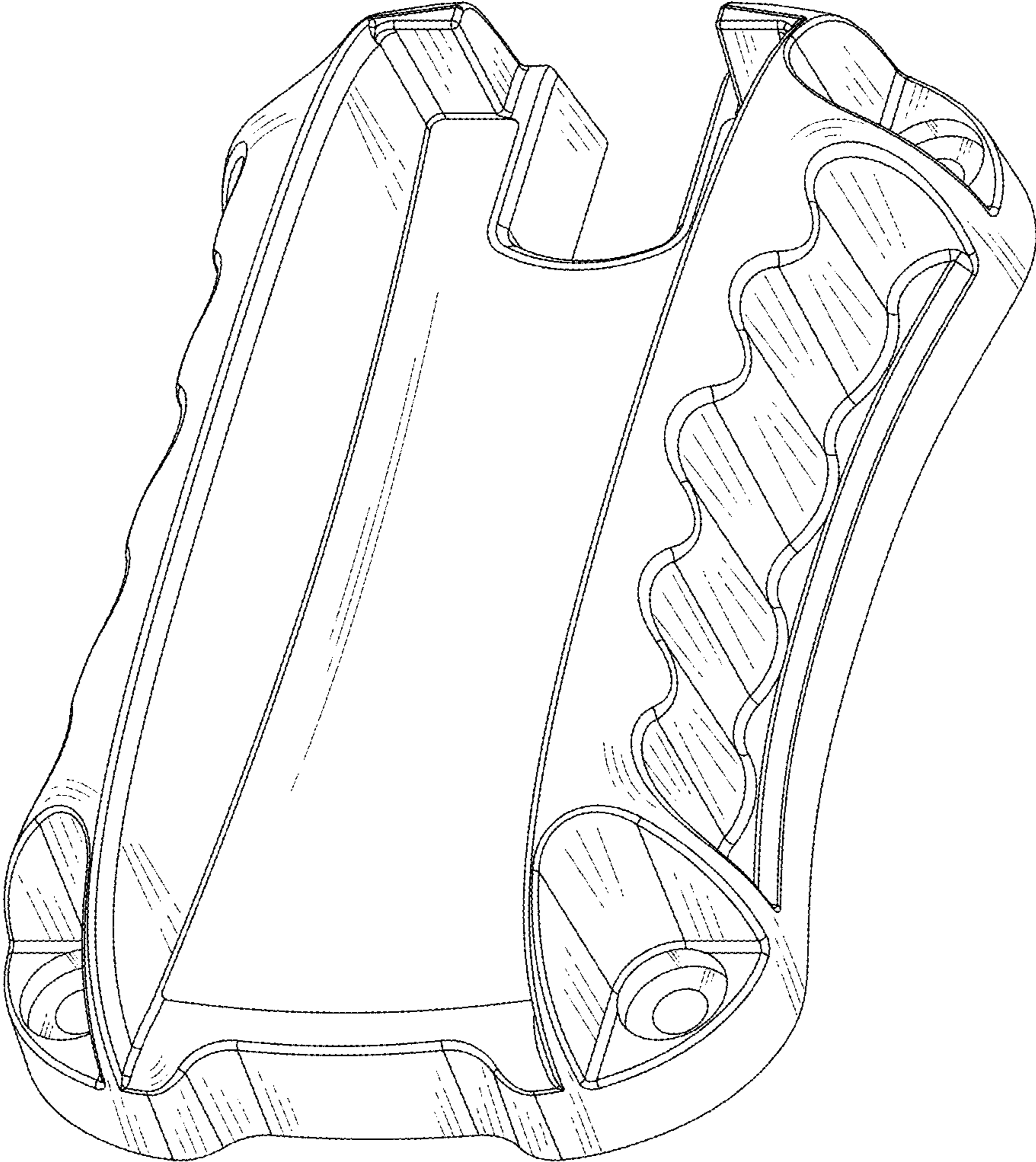


FIG. 1

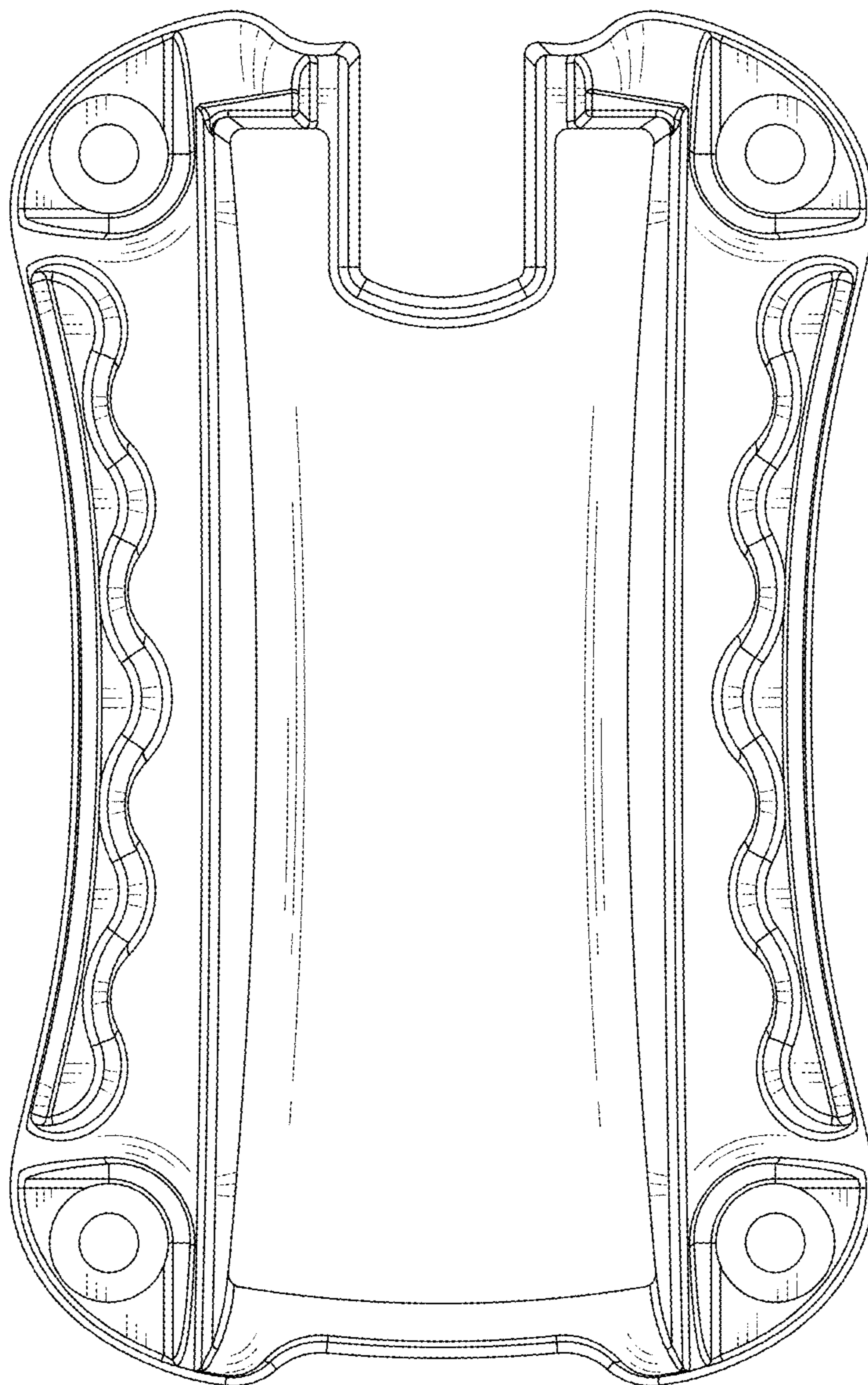


FIG. 2

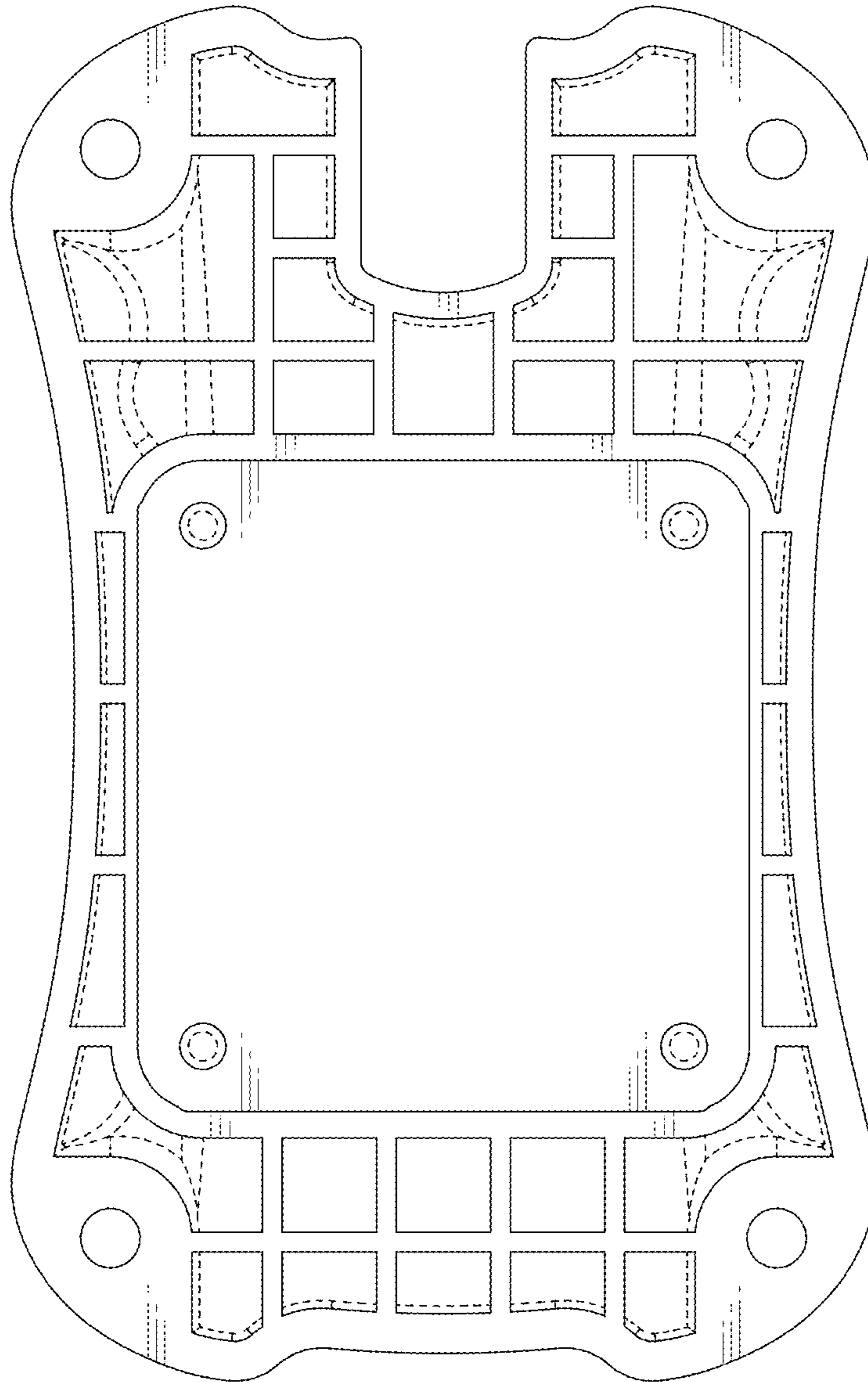


FIG. 3

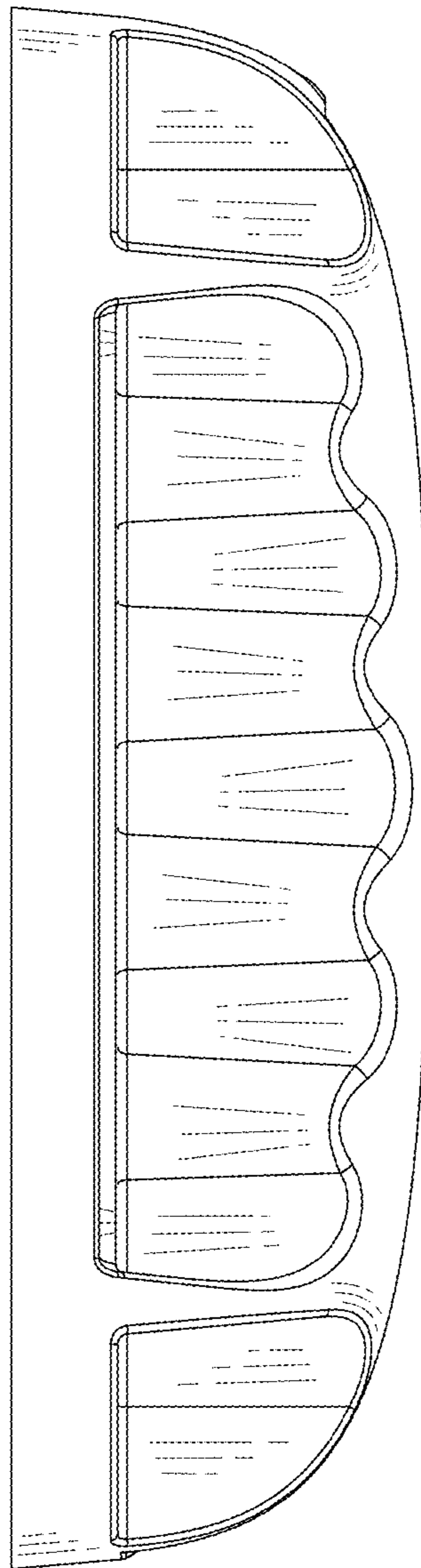


FIG. 4

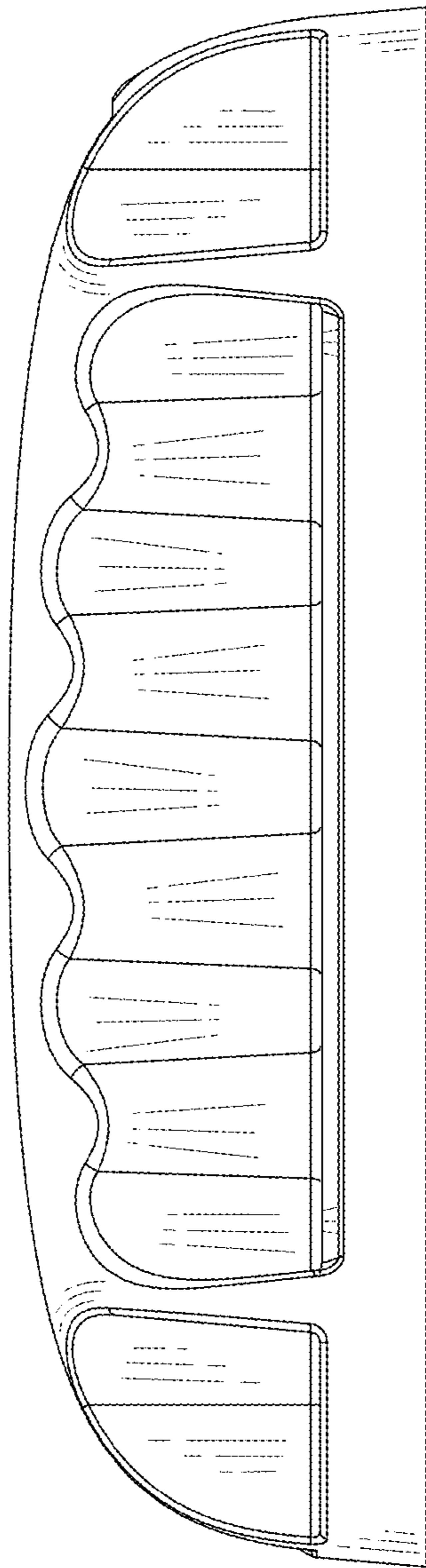


FIG. 5

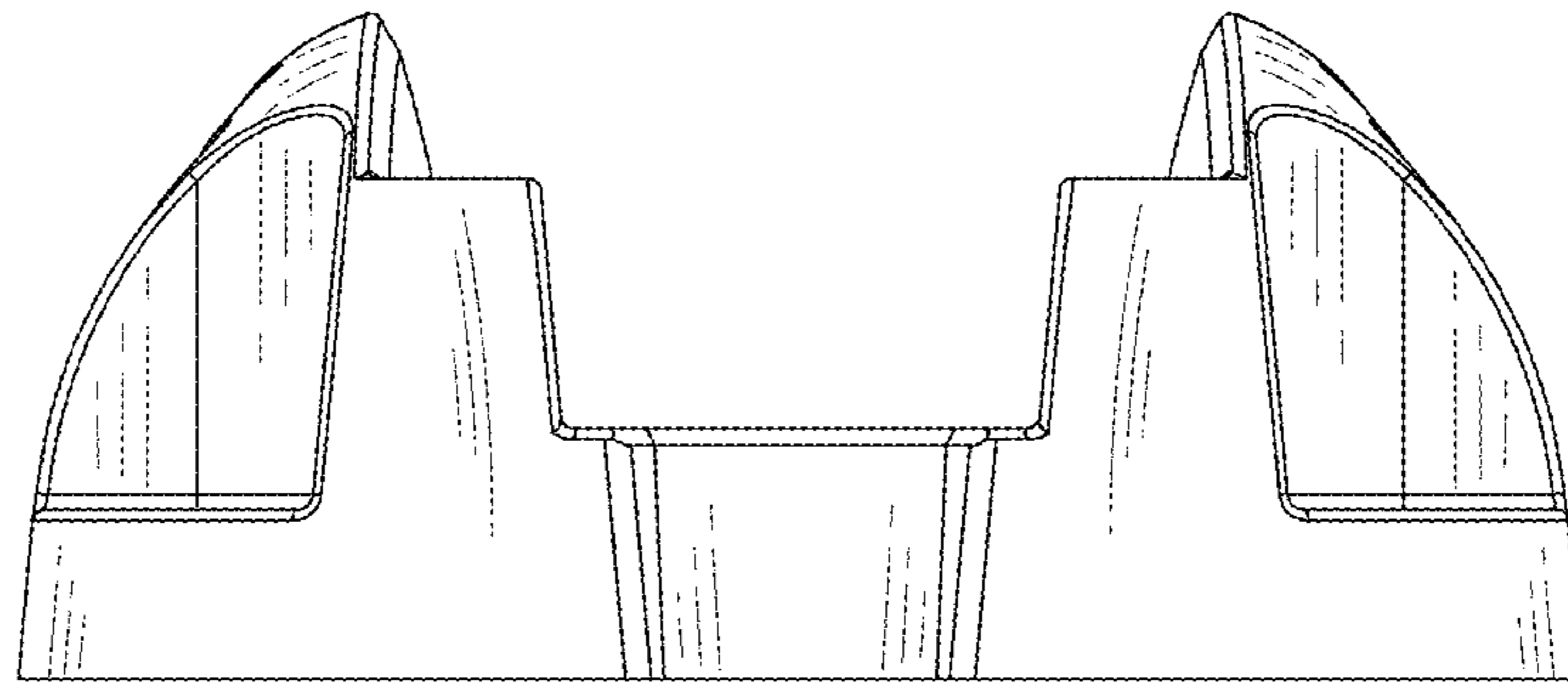


FIG. 6

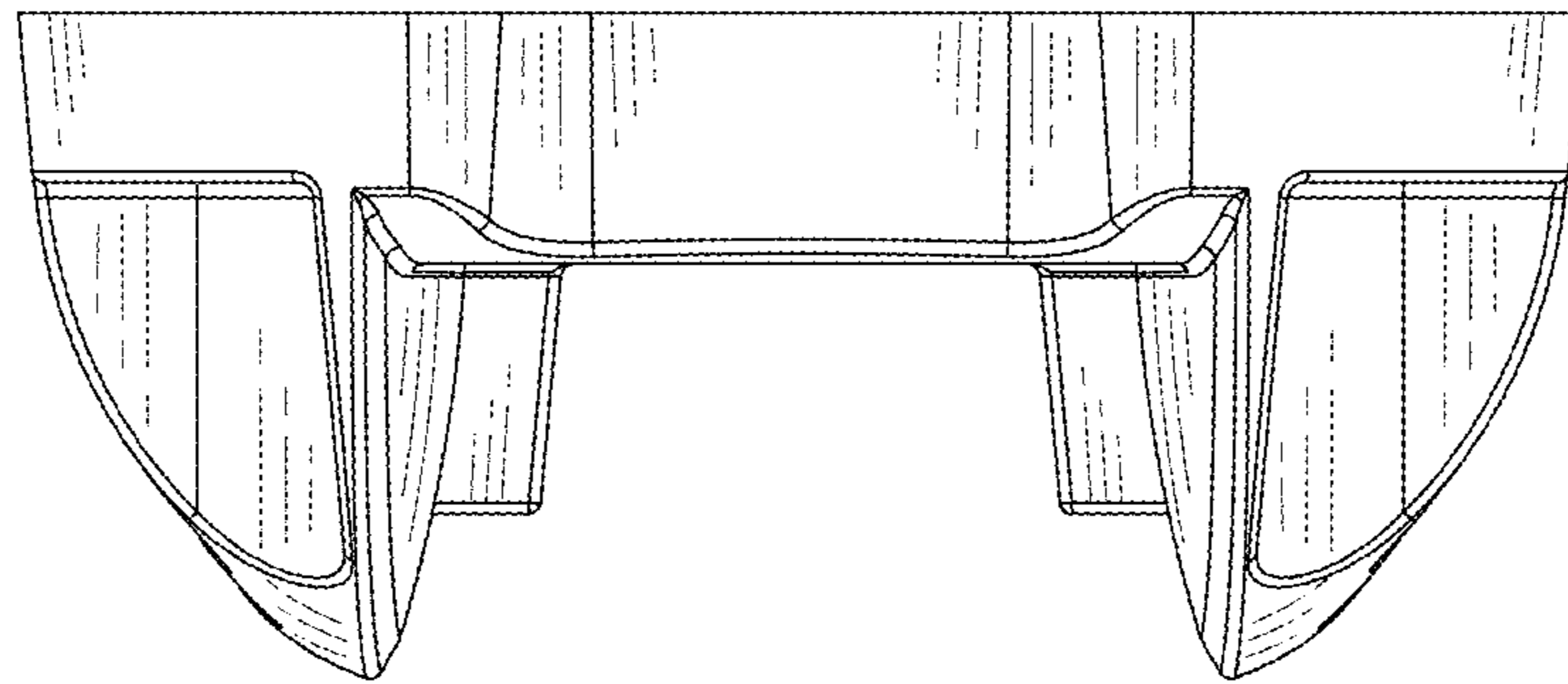


FIG. 7

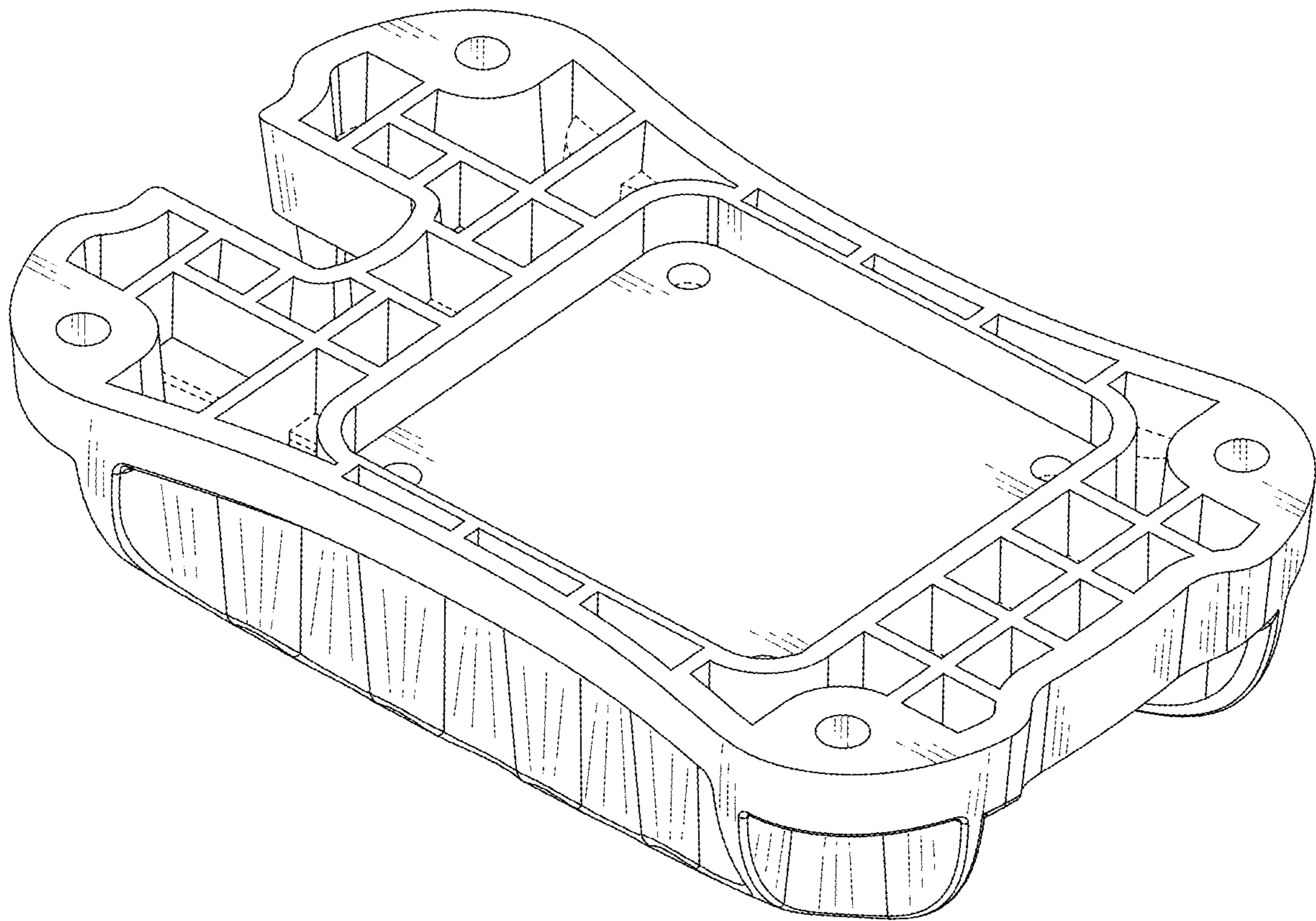


FIG. 8

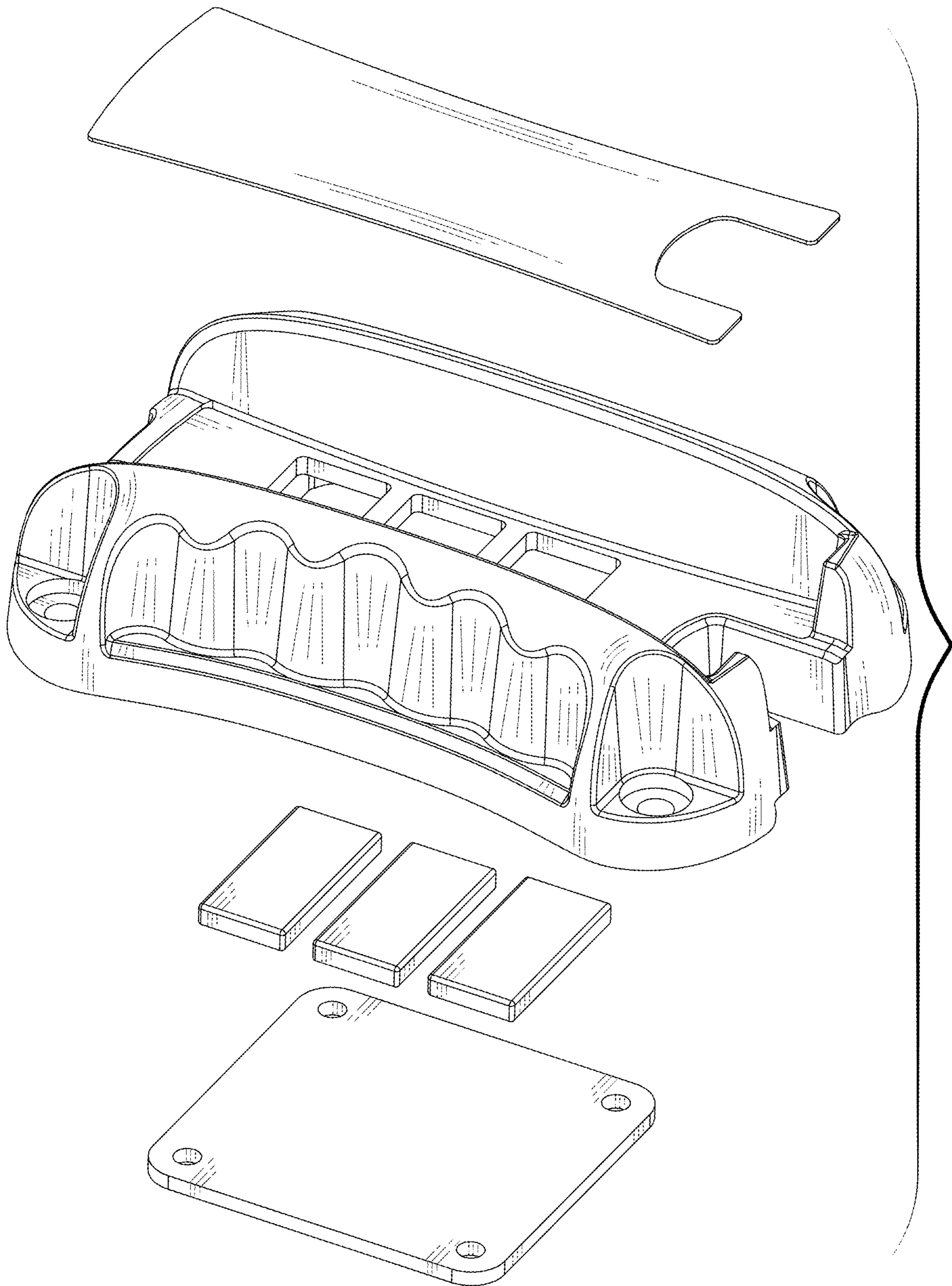


FIG. 9