



US00D903808S

(12) **United States Design Patent** (10) **Patent No.:** **US D903,808 S**
Moretti (45) **Date of Patent:** **** Dec. 1, 2020**

(54) **BOLT**

(71) Applicant: **BENELLI ARMI S.P.A.**, Urbino (IT)

(72) Inventor: **Luigi Moretti**, Collebeato (IT)

(73) Assignee: **BENELLI ARMI S.P.A.**, Pesaro Urbino (IT)

(**) Term: **15 Years**

(21) Appl. No.: **29/700,553**

(22) Filed: **Aug. 2, 2019**

(30) **Foreign Application Priority Data**

Apr. 18, 2019 (EM) 006382255-0004

(51) **LOC (12) Cl.** **22-01**

(52) **U.S. Cl.**
USPC **D22/108**

(58) **Field of Classification Search**
USPC D22/108
CPC F41C 7/06; F41A 3/26; F41A 3/12; F41A 19/34
See application file for complete search history.

(56) **References Cited**

U.S. PATENT DOCUMENTS

D282,388 S * 1/1986 Pashman D22/108
D475,430 S * 6/2003 Wardle D22/108

D478,146 S * 8/2003 Wygant D22/108
2014/0090283 A1 * 4/2014 Gomez F41A 15/14
42/25
2016/0091271 A1 * 3/2016 Seymore F41A 17/44
42/16
2018/0164057 A1 * 6/2018 Steimke F41A 3/30
2020/0049436 A1 * 2/2020 Braceras Devecchi ... F41A 3/30

* cited by examiner

Primary Examiner — Michael A. Pratt

(74) *Attorney, Agent, or Firm* — R. Neil Sudol; Henry D. Coleman

(57) **CLAIM**

The ornamental design for bolt, as shown and described.

DESCRIPTION

FIG. 1 is a rear, top and right side perspective view of bolt, showing my new design;

FIG. 2 is a right side elevational view thereof;

FIG. 3 is a left side elevational view thereof;

FIG. 4 is a rear elevational view thereof;

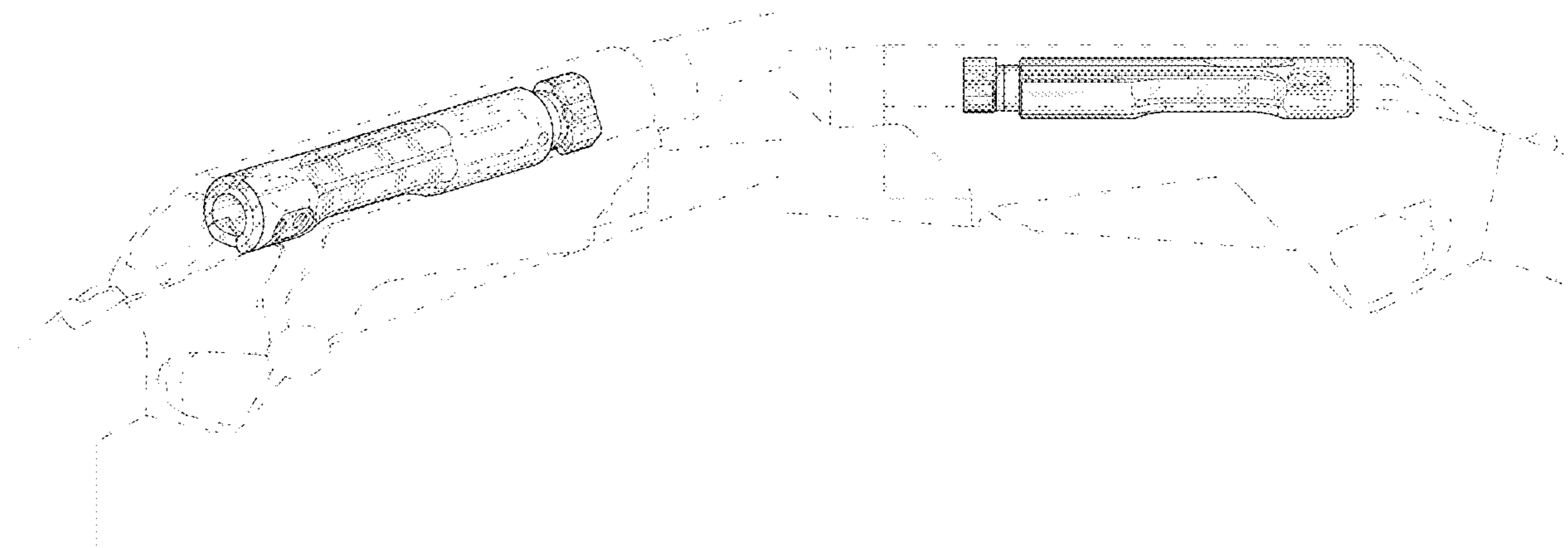
FIG. 5 is a front elevational view thereof;

FIG. 6 is top plan view thereof; and,

FIG. 7 is bottom plan view thereof.

The broken lines in the drawing figures designate surrounding or environmental structure of a shotgun that forms no part of the design to be patented.

1 Claim, 6 Drawing Sheets



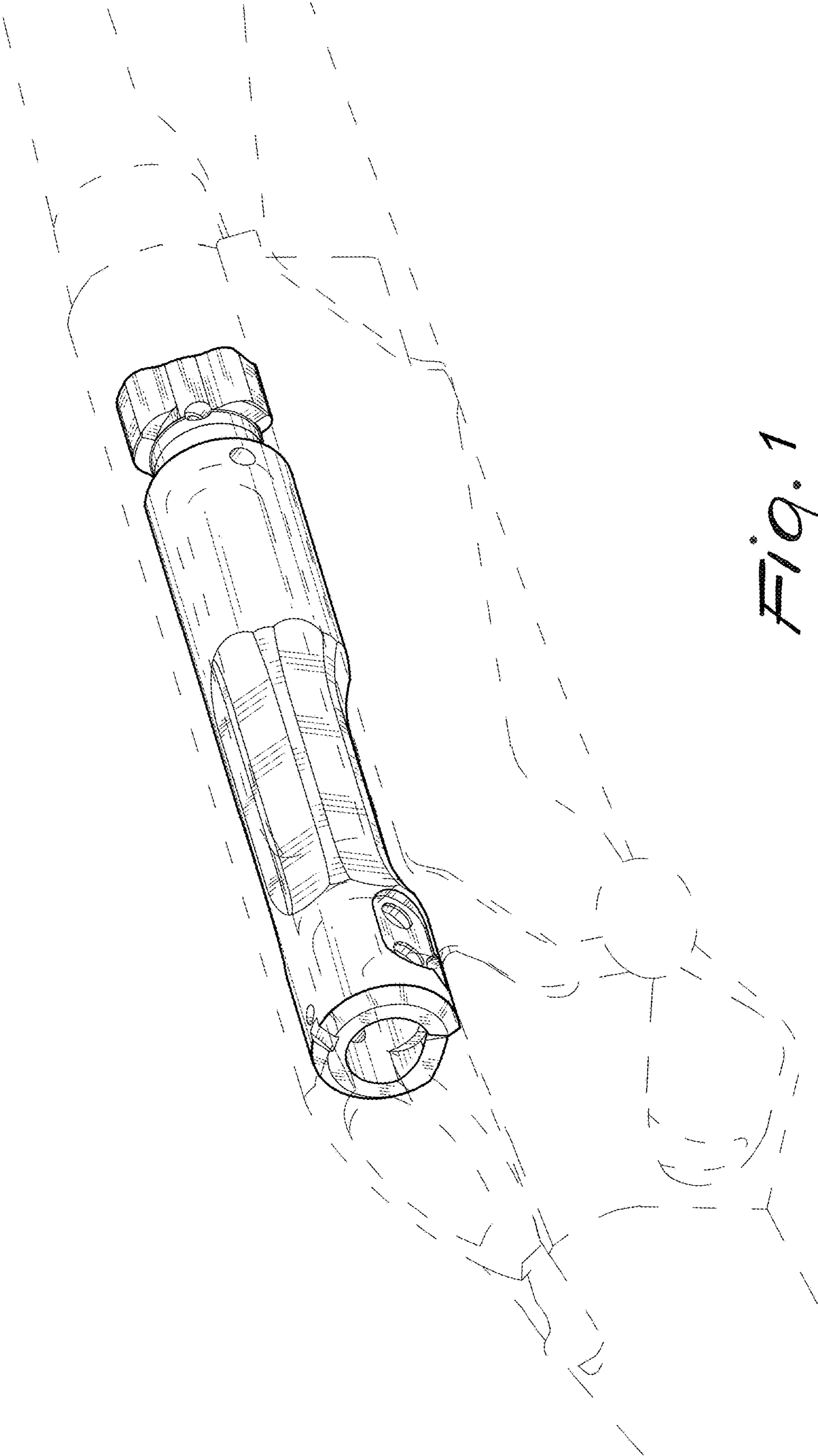


Fig. 1

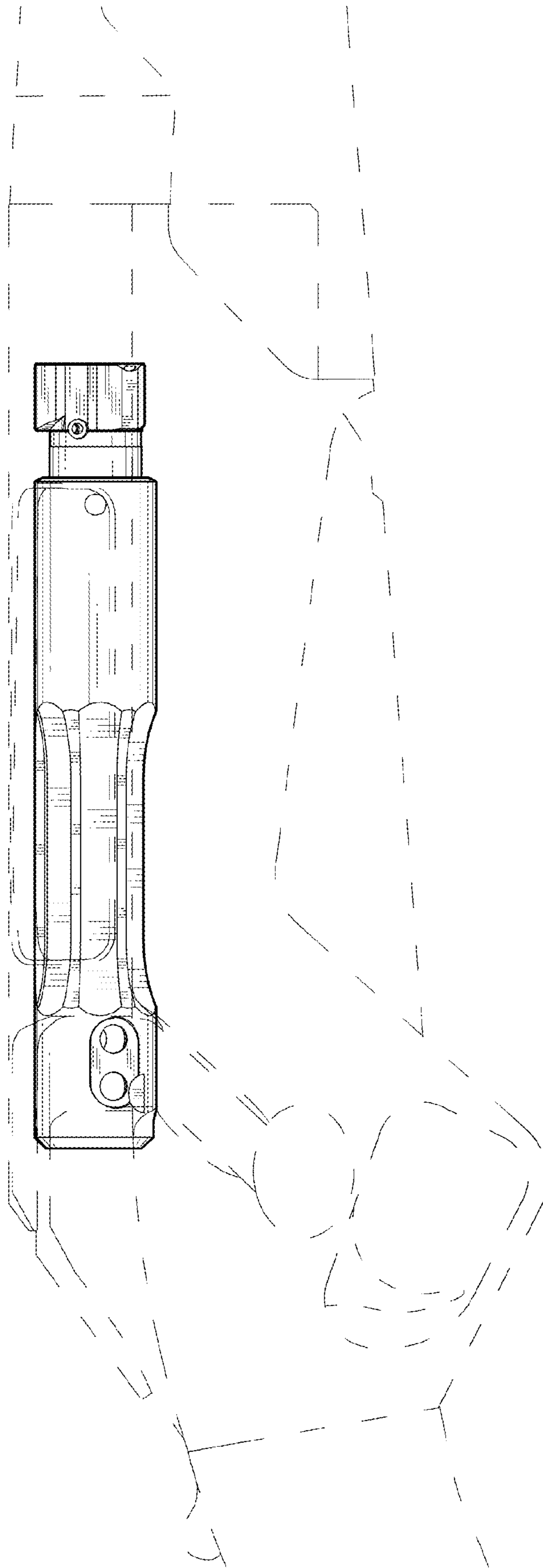


Fig. 2

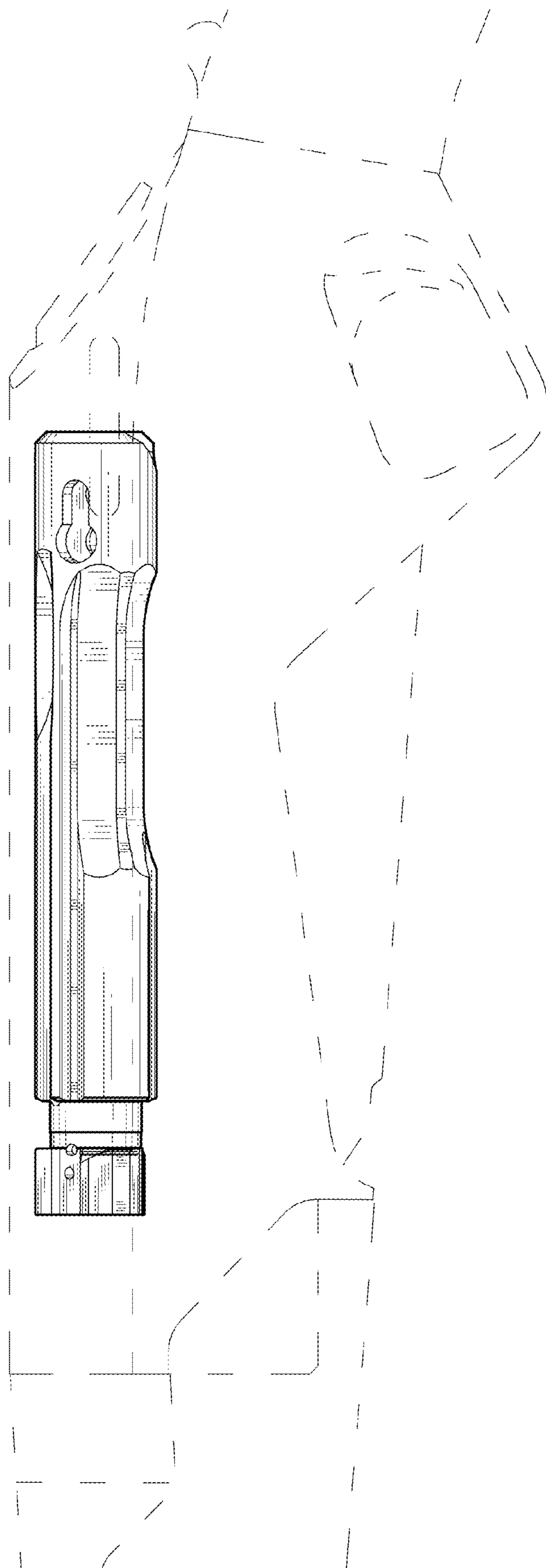


Fig. 3

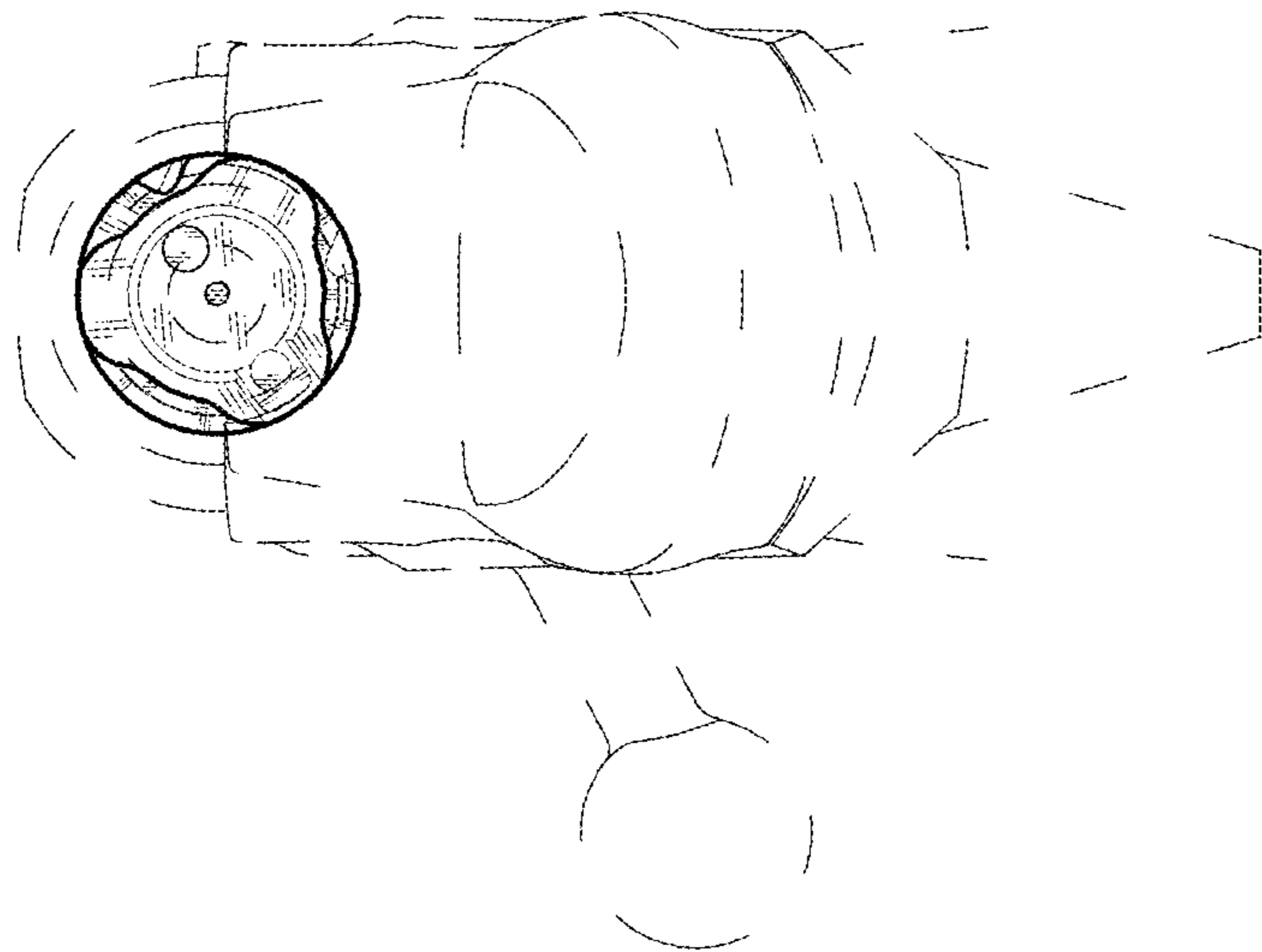


Fig. 5

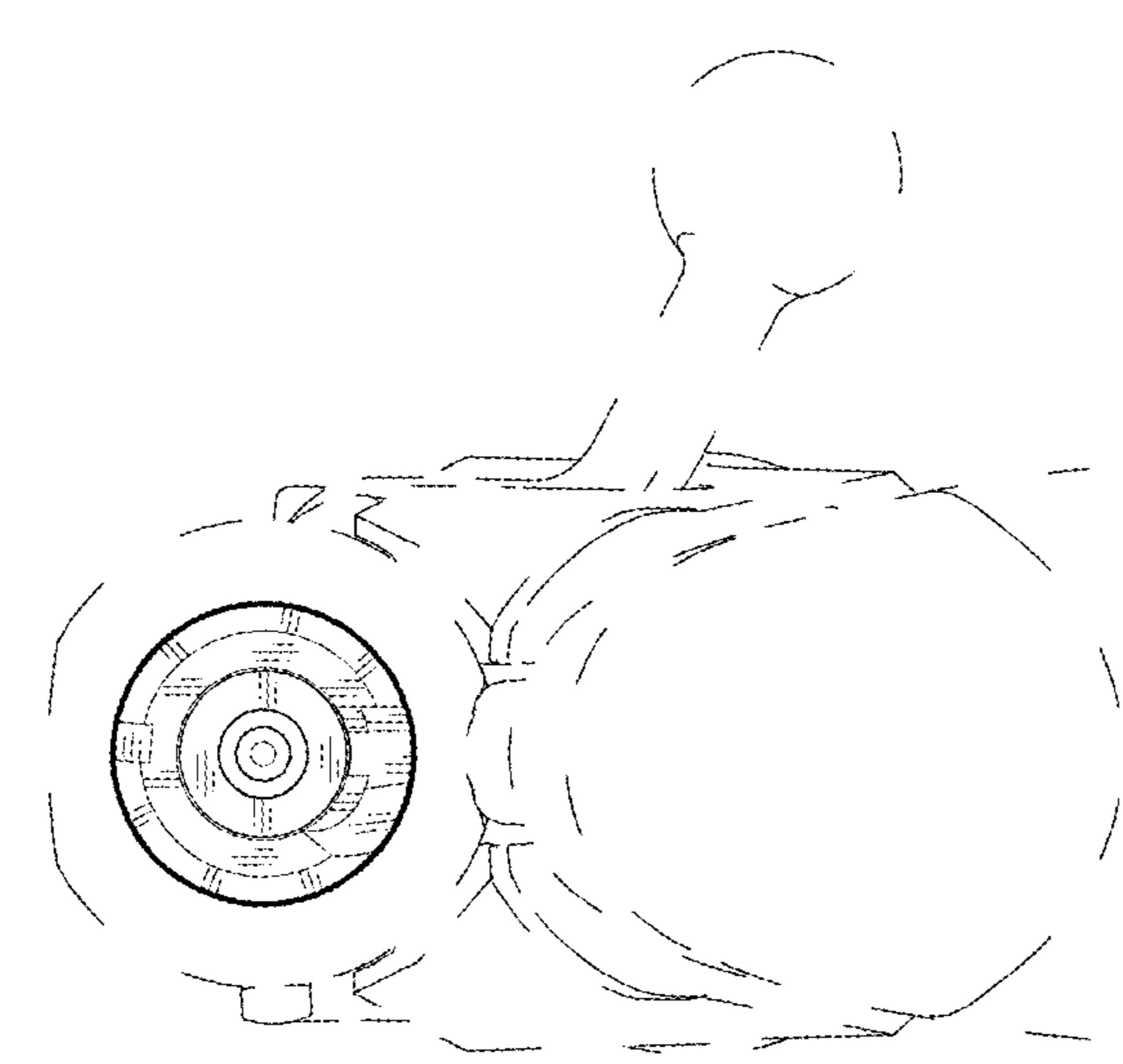


Fig. 4

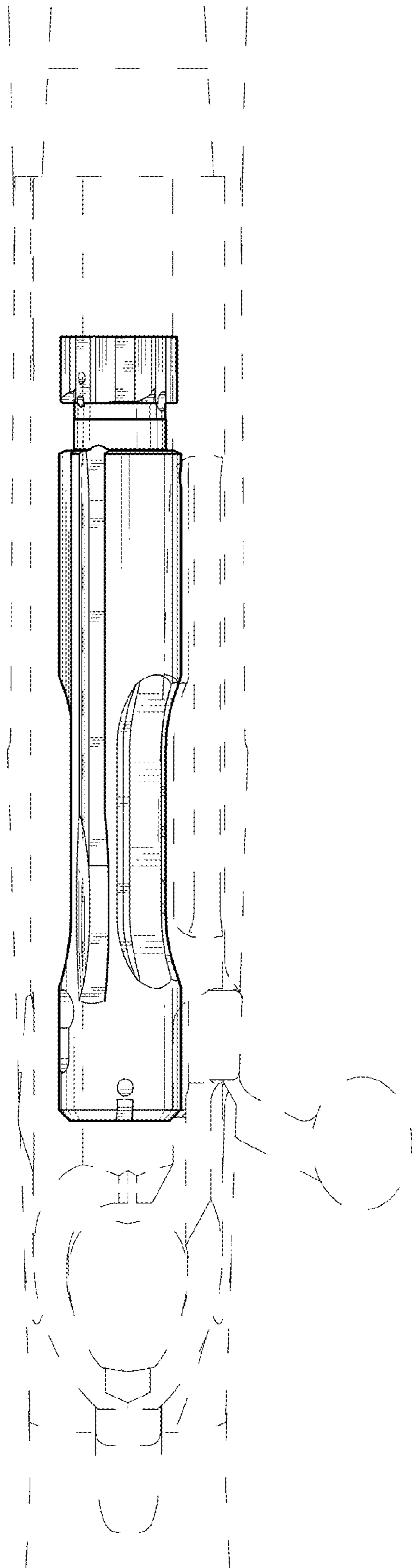


Fig. 6

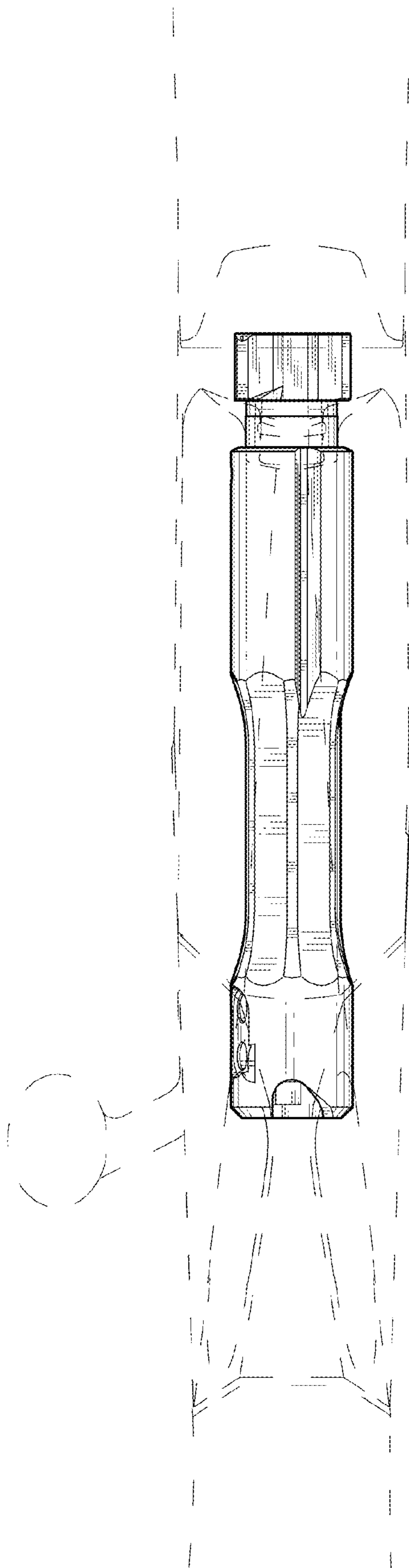


Fig. 7