



US00D903807S

(12) **United States Design Patent** (10) **Patent No.:** **US D903,807 S**
Delgado Acarreta et al. (45) **Date of Patent:** **** Dec. 1, 2020**

(54) **SLIDE FOR SMALL AND LIGHT FIREARMS**

2011/0088539 A1* 4/2011 Oz F41A 19/34
89/1.4
2011/0154710 A1* 6/2011 Hatfield F41A 19/34
42/90
2012/0198744 A1* 8/2012 Meller F41A 3/72
42/90

(71) Applicant: **RADE TECNOLOGÍAS, S.L.**,
Saragossa (ES)

(72) Inventors: **Raül Delgado Acarreta**, Saragossa
(ES); **Diego Bernal Somavilla**,
Saragossa (ES); **Diego Lorente Algora**,
Saragossa (ES)

(Continued)

(73) Assignee: **RADE TECNOLOGIAS, S.L.**,
Saragossa (ES)

(**) Term: **15 Years**

(21) Appl. No.: **29/656,437**

(22) Filed: **Jul. 12, 2018**

(51) **LOC (12) Cl.** **22-01**

(52) **U.S. Cl.**
USPC **D22/108; D21/574**

(58) **Field of Classification Search**
USPC D22/100, 101, 103, 104, 105, 108, 109,
D22/110, 111, 199; D21/567, 573, 574,
D21/575
CPC F41A 23/02; F41A 35/00; F41C 23/04;
F41C 23/12; F41C 27/22
See application file for complete search history.

(56) **References Cited**

U.S. PATENT DOCUMENTS

D702,308 S *	4/2014	Glock	D22/108
D729,895 S *	5/2015	Porat	D22/108
D732,629 S *	6/2015	Wolf	D22/108
D777,871 S *	1/2017	Niswander	D22/108
D777,872 S *	1/2017	Wolf	D22/108
D784,479 S *	4/2017	Niswander	D22/108
D800,243 S *	10/2017	Niswander	D22/108
D803,341 S *	11/2017	Wolf	D22/108
9,970,727 B2 *	5/2018	Niswander	F41A 21/36
D824,478 S *	7/2018	Shelton	D22/108
10,209,019 B2 *	2/2019	Dechant	F41A 3/64

OTHER PUBLICATIONS

“[Shot 2019] Radetec Unveils Smart Glock Slide & Mobile App”
[online]. Adam Scepaniak. [Published on Jan. 24, 2019]. Retrieved
from the Internet: <https://www.thefirearmblog.com/blog/2019/01/24/shot-2019-radetec-smart-glock-slide/>.*

Primary Examiner — Khawaja Anwar

Assistant Examiner — Mojtaba Tehrani

(74) *Attorney, Agent, or Firm* — Hayes Soloway PC

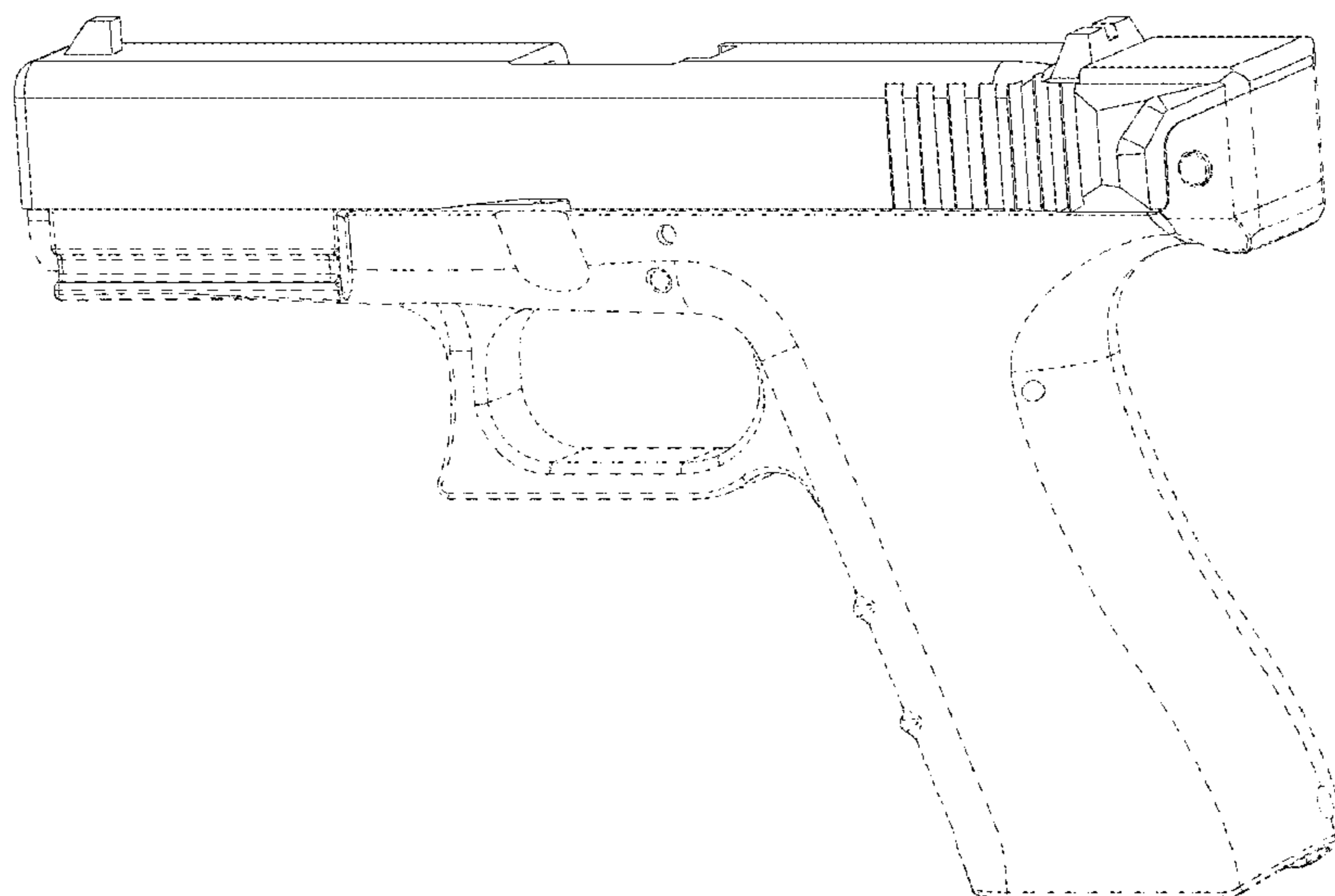
(57) **CLAIM**

We claim the ornamental design for a slide for small and light firearms, as shown and described.

DESCRIPTION

FIG. 1 is a bottom plan view of a slide for small and light firearms showing the new design;
FIG. 2 is a perspective view of the slide for small and light firearms thereof;
FIG. 3 is a front elevation view of the slide for small and light firearms thereof;
FIG. 4 is a left side elevation view of the slide for small and light firearms thereof;
FIG. 5 is a rear plan view of the slide for small and light firearms thereof;
FIG. 6 is a right side elevation view of the slide for small and light firearms thereof; and,
FIG. 7 is a top plan view of the slide for small and light firearms thereof.
The broken lines in the figures represent unclaimed portions of the slide for small and light firearms and form no part of the claimed design.

1 Claim, 7 Drawing Sheets



(56)

References Cited

U.S. PATENT DOCUMENTS

2012/0317856 A1* 12/2012 Burke F41A 11/02
42/16
2015/0226508 A1* 8/2015 Hughes F41A 33/02
434/21
2016/0047613 A1* 2/2016 Hudson, III F41A 3/86
42/14
2017/0211901 A1* 7/2017 Keller F41A 3/66

* cited by examiner

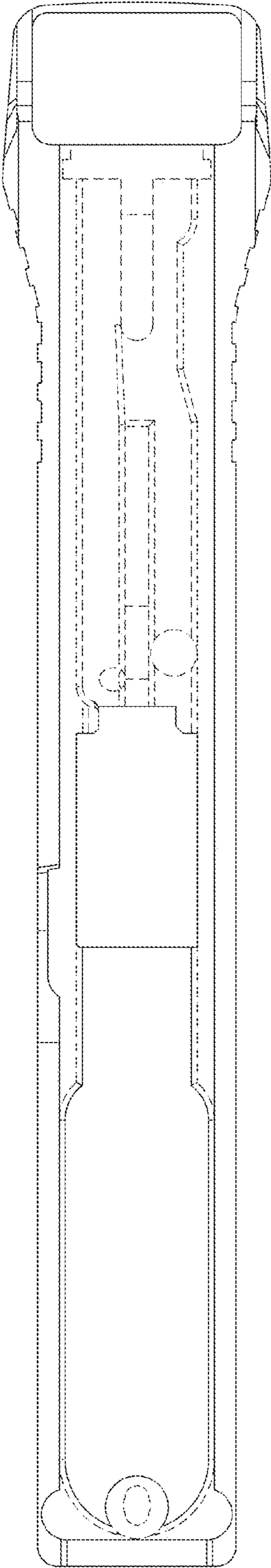


FIGURE 1

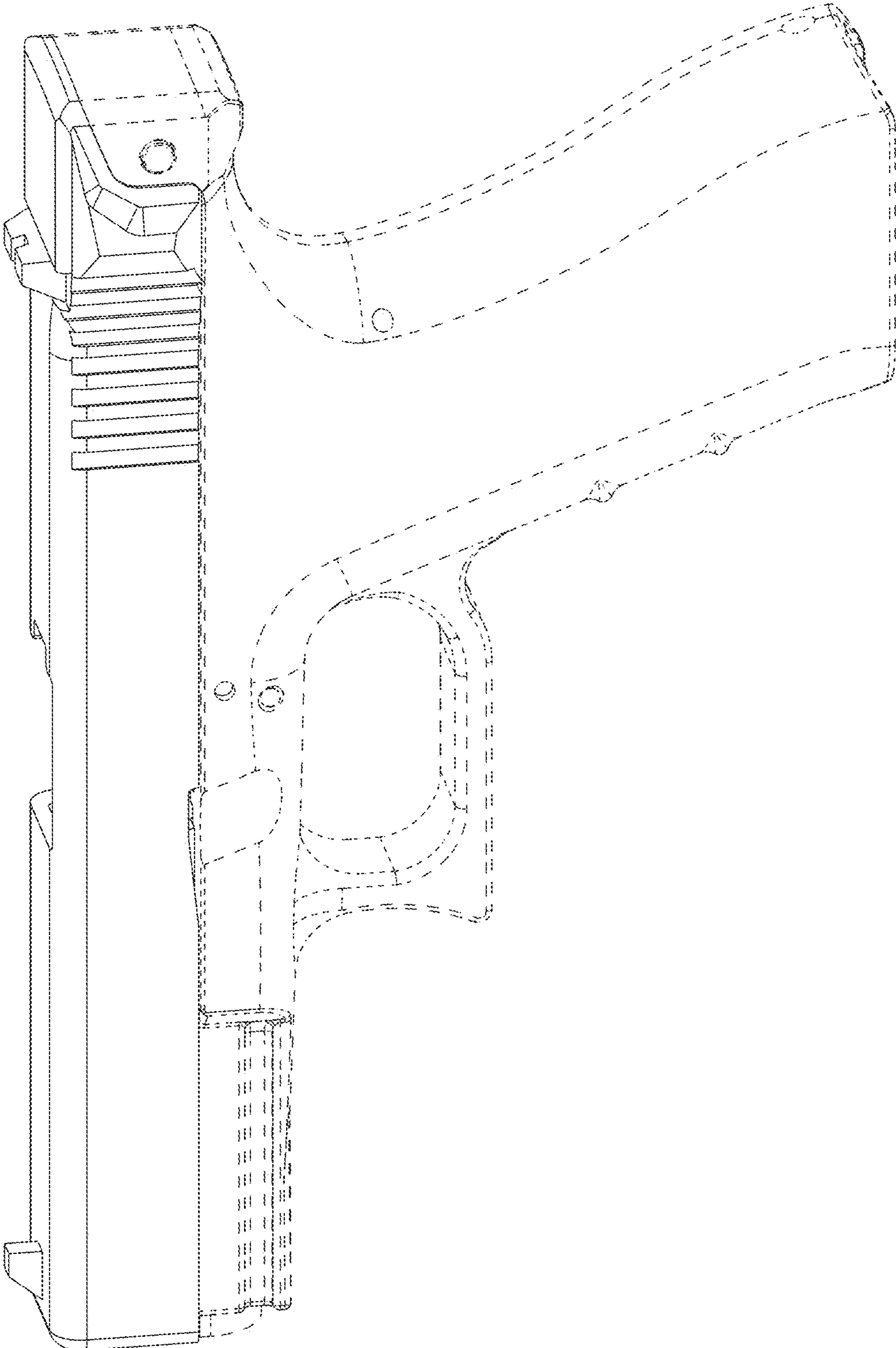


FIGURE 2

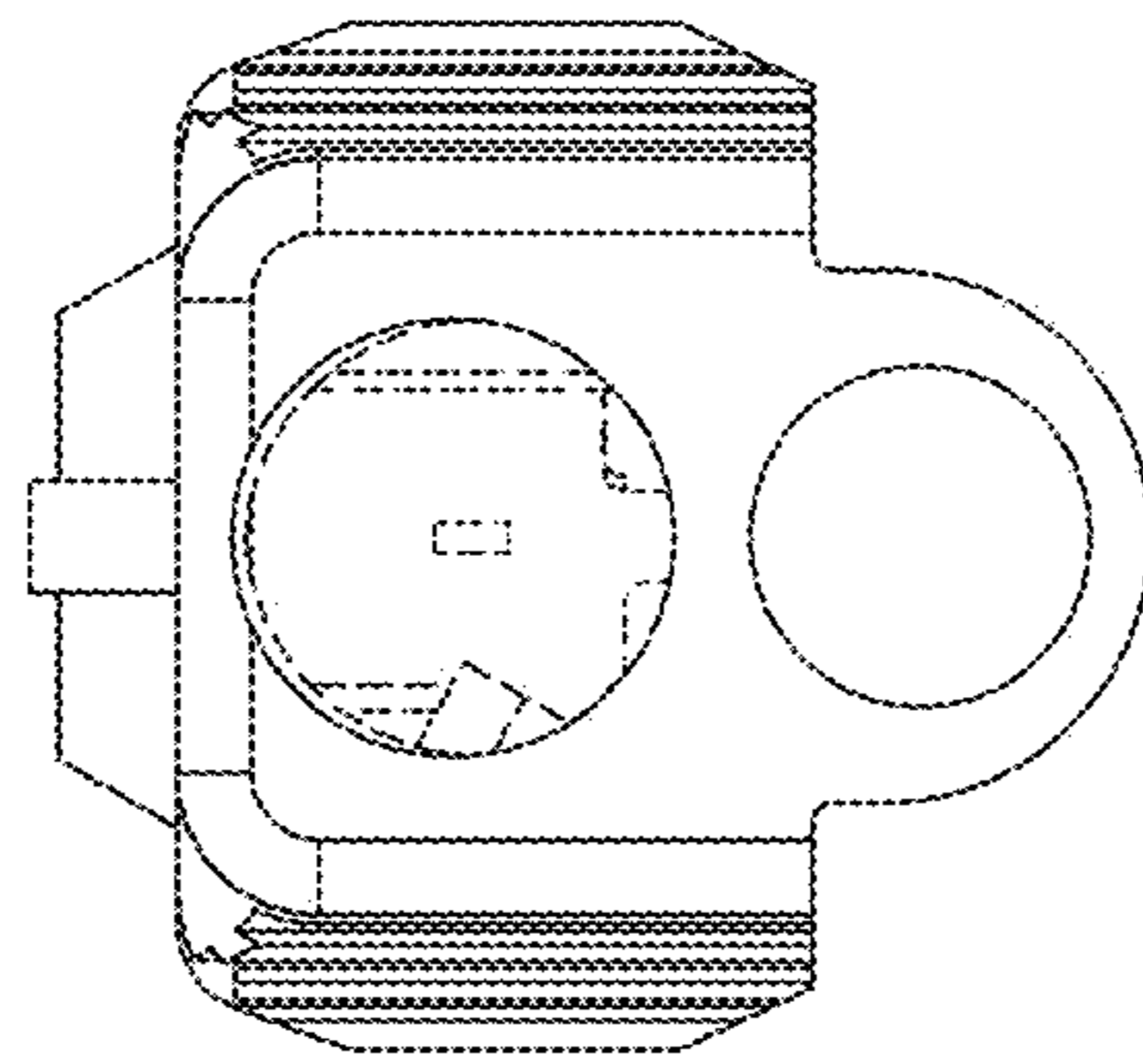


FIGURE 3

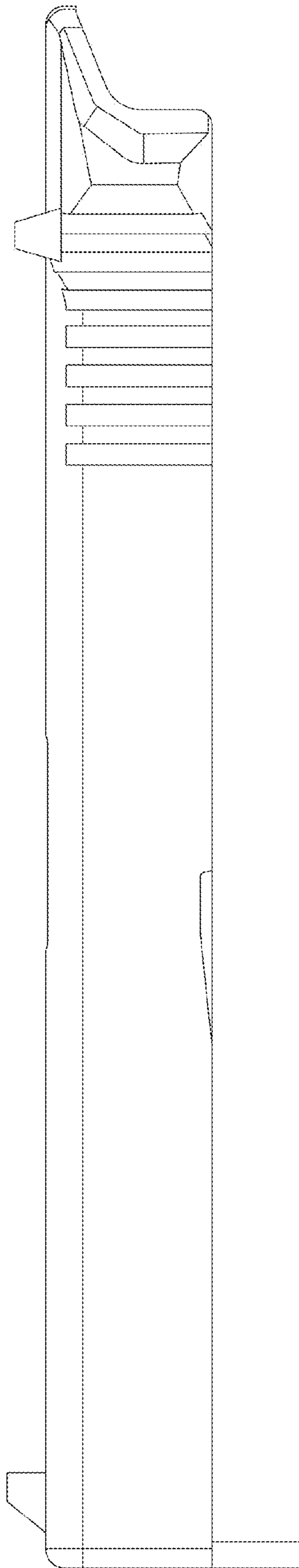


FIGURE 4

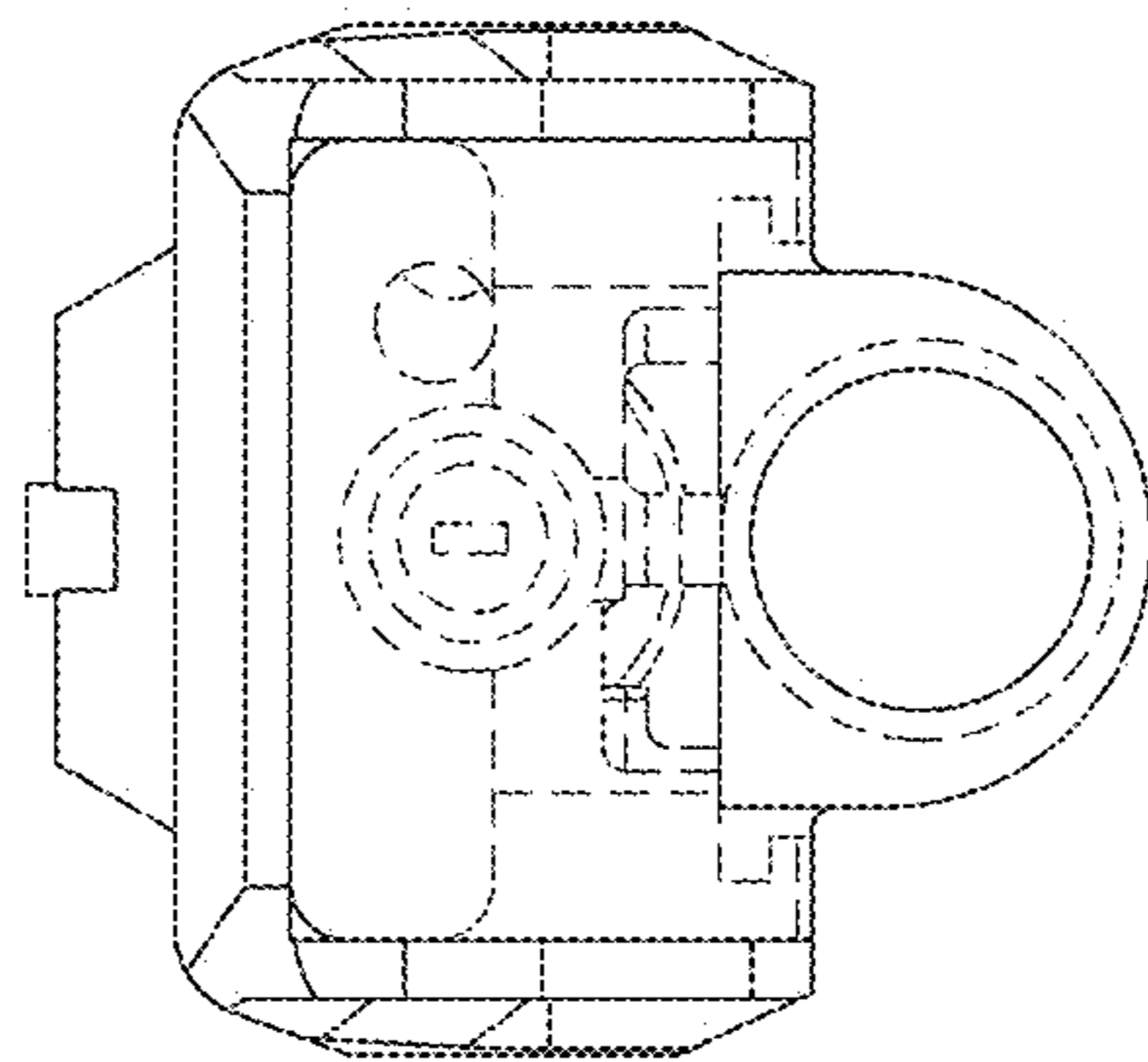


FIGURE 5

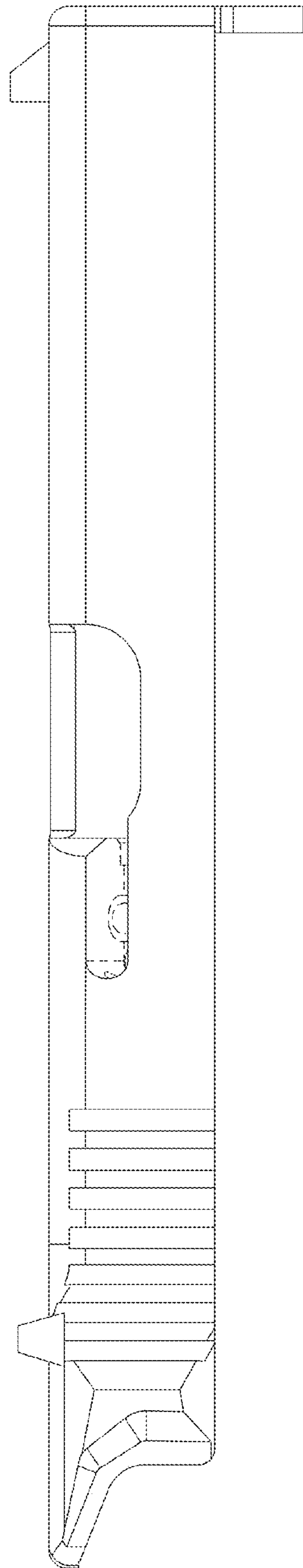


FIGURE 6

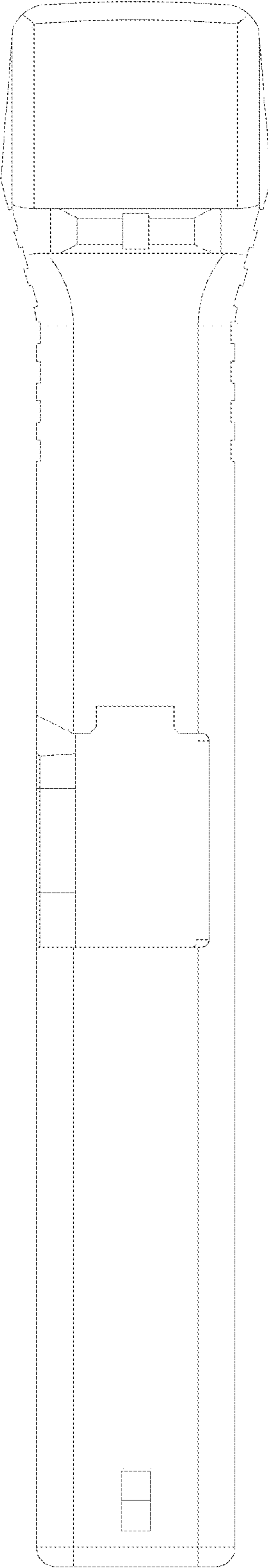


FIGURE 7