



US00D903806S

(12) **United States Design Patent** (10) **Patent No.:** **US D903,806 S**
Storch (45) **Date of Patent:** **** Dec. 1, 2020**

(54) **FIREARM HAND GUARD WITH QUICK CONNECT SOCKET**

(71) Applicant: **Midwest Industries, Inc.**, Waukesha, WI (US)

(72) Inventor: **Troy Storch**, Wales, WI (US)

(73) Assignee: **Midwest Industries, Inc.**, Waukesha, WI (US)

(**) Term: **15 Years**

(21) Appl. No.: **29/634,588**

(22) Filed: **Jan. 23, 2018**

(51) **LOC (12) Cl.** **22-01**

(52) **U.S. Cl.**
USPC **D22/108**

(58) **Field of Classification Search**
USPC D22/108–110, 199; D21/570, 573–575
See application file for complete search history.

(56) **References Cited**

U.S. PATENT DOCUMENTS

| | | | | |
|-----------|-----|---------|--------------|---------|
| 3,462,021 | A | 8/1969 | Hawke et al. | |
| 3,731,418 | A | 5/1973 | Birkenhagen | |
| D259,994 | S | 7/1981 | Salcedo | |
| D276,789 | S | 12/1984 | Olson | |
| 4,751,610 | A | 6/1988 | Nickola | |
| 4,765,224 | A | 8/1988 | Morris | |
| D302,514 | S | 8/1989 | Gates | |
| D349,230 | S | 8/1994 | Essick | |
| D508,726 | S | 8/2005 | Storch | |
| 7,066,059 | B1 | 6/2006 | Hsieh | |
| RE39,465 | E | 1/2007 | Swan | |
| 7,216,451 | B1 | 5/2007 | Troy | |
| D544,564 | S * | 6/2007 | Swan | D22/108 |
| D556,289 | S * | 11/2007 | Yu | D22/108 |
| D556,290 | S | 11/2007 | Swan | |
| 7,574,823 | B2 | 8/2009 | Nakayama | |
| 7,640,689 | B2 | 1/2010 | Fluhr | |

(Continued)

OTHER PUBLICATIONS

U.S. Pat. No. D725,220, posted at Orbit.com, publication date Mar. 24, 2015. Site visited Mar. 6, 2019. Available from Internet. (Year: 2015).*

(Continued)

Primary Examiner — Kevin K Rudzinski

Assistant Examiner — Kathleen J Jones

(74) *Attorney, Agent, or Firm* — Boyle Fredrickson S.C.

(57) **CLAIM**

The ornamental design for a firearm hand guard with quick connect socket, substantially as shown and described.

DESCRIPTION

FIG. 1 front upper left side perspective view of a firearm hand guard with quick connect socket according to the present invention;

FIG. 2 is a top plan view of the firearm hand guard with quick connect socket shown in FIG. 1;

FIG. 3 is a bottom plan view of the firearm hand guard with quick connect socket shown in FIG. 1;

FIG. 4 is a right side elevation view of the firearm hand guard with quick connect socket shown in FIG. 1;

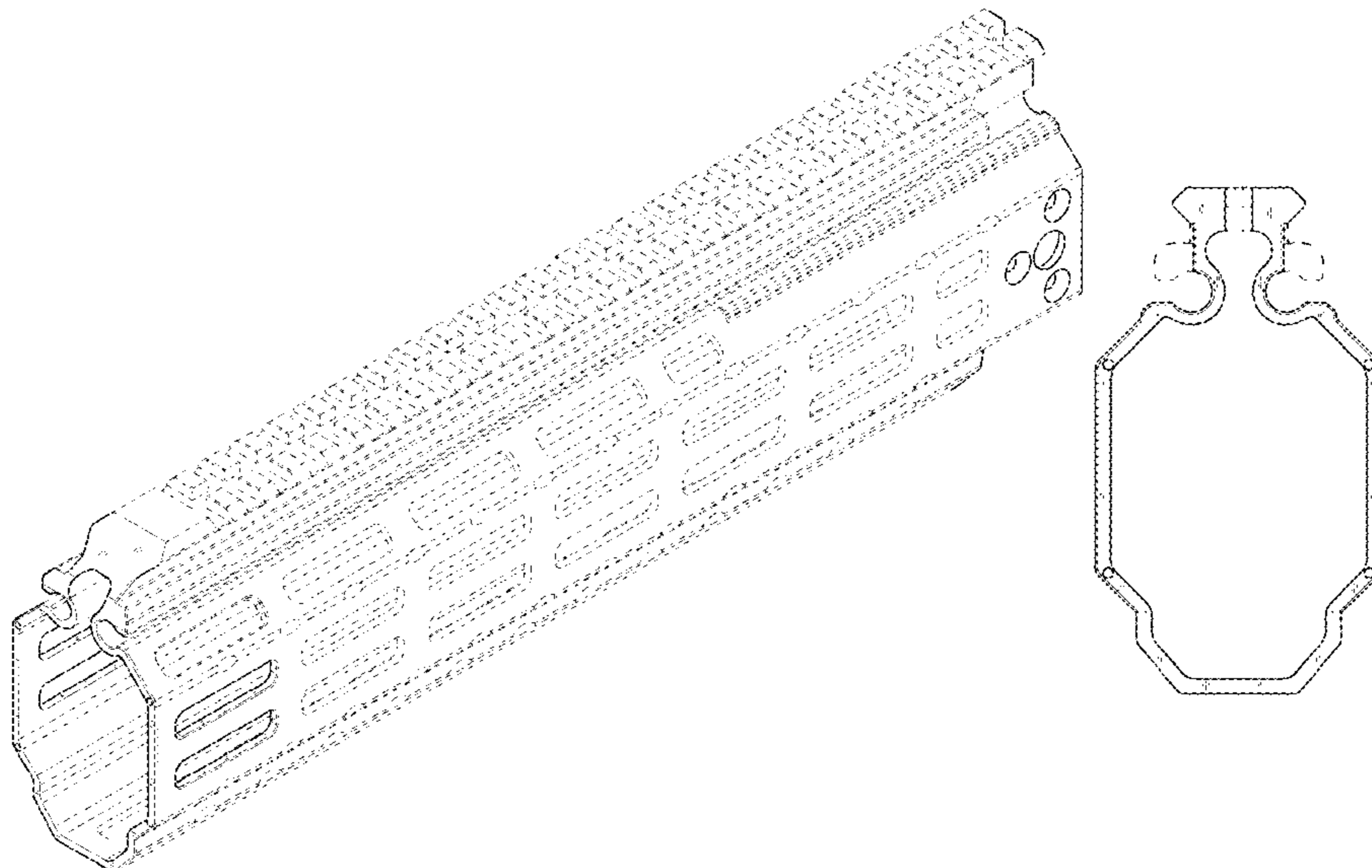
FIG. 5 is a left side elevation view of the firearm hand guard with quick connect socket shown in FIG. 1;

FIG. 6 is a front elevation view of the firearm hand guard with quick connect socket shown in FIG. 1; and,

FIG. 7 is a rear elevation view of the firearm hand guard with quick connect socket shown in FIG. 1.

The evenly-spaced broken lines show portions of the firearm hand guard with quick connect socket that form no part of the claimed design. The surfaces adjacent broken lines form no part of the claimed design.

1 Claim, 6 Drawing Sheets



(56)

References Cited

U.S. PATENT DOCUMENTS

D616,521 S * 5/2010 Starnes D22/108
 7,707,762 B1 5/2010 Swan
 7,716,865 B2 5/2010 Daniel et al.
 7,770,317 B1 8/2010 Tankersley
 D625,765 S 10/2010 Storch
 7,905,041 B1 3/2011 Davies
 7,938,055 B2 5/2011 Hochstrate
 D648,811 S * 11/2011 En D21/573
 8,046,949 B1 11/2011 Daniel
 8,051,595 B2 11/2011 Hochstrate
 8,091,265 B1 * 1/2012 Teetzel F41C 23/16
 42/124
 8,096,213 B2 1/2012 Miers
 8,141,287 B2 3/2012 Dubois
 8,141,289 B2 3/2012 Gomez et al.
 D657,013 S 4/2012 Swan
 D659,220 S 5/2012 Foltz
 8,201,353 B1 6/2012 Swan
 8,205,373 B1 6/2012 Ubl et al.
 8,230,634 B1 7/2012 Davies
 8,234,808 B2 8/2012 Lewis et al.
 8,234,809 B2 8/2012 Daniel
 D666,689 S 9/2012 Swan
 8,276,303 B2 10/2012 Kapusta et al.
 8,276,304 B2 10/2012 Samson et al.
 D670,352 S 11/2012 Norberg et al.
 D674,859 S * 1/2013 Robbins D22/108
 8,347,540 B2 1/2013 Sirois
 8,359,779 B2 1/2013 Daniel et al.
 D677,048 S 3/2013 Du
 8,438,770 B2 5/2013 Troy
 8,448,367 B2 5/2013 Samson et al.
 D683,807 S 6/2013 Elkaim
 8,464,457 B2 6/2013 Troy et al.
 8,578,642 B2 11/2013 Troy et al.
 8,607,490 B1 12/2013 Zinsner
 8,640,372 B2 2/2014 Hochstrate
 8,689,477 B2 4/2014 Gomez et al.
 8,689,478 B2 4/2014 Patel
 8,690,138 B2 4/2014 Lin et al.
 8,713,838 B2 5/2014 Uhl et al.
 8,739,448 B2 6/2014 Kimmel et al.
 D708,693 S * 7/2014 Faxon D22/108
 8,769,854 B1 7/2014 Battaglia
 8,789,304 B2 7/2014 Engesser
 8,806,792 B2 8/2014 Yen
 8,806,793 B2 8/2014 Daniel et al.
 8,819,980 B2 9/2014 Geissele
 8,904,691 B1 12/2014 Kincel
 9,003,686 B2 4/2015 Brown
 9,010,009 B2 4/2015 Buxton
 9,032,658 B2 5/2015 Geissele
 D732,378 S 6/2015 Oquendo et al.
 9,068,786 B2 6/2015 DiChario
 9,068,801 B1 6/2015 Stecher et al.
 9,086,247 B2 7/2015 Lessard
 9,091,505 B1 7/2015 Battaglia
 9,140,506 B2 9/2015 Gomez
 9,140,520 B2 9/2015 Lopes et al.
 9,157,696 B2 10/2015 Dextraze
 9,157,697 B2 10/2015 Leclair
 D744,459 S 12/2015 Cummings et al.
 D746,399 S * 12/2015 Folkestad, II D22/108
 D747,428 S * 1/2016 Chen D22/108
 D752,171 S * 3/2016 Chen D22/108
 D753,256 S 4/2016 Azhocar
 D753,257 S 4/2016 Azhocar

9,453,694 B1 9/2016 Storch
 9,494,382 B2 11/2016 Storch
 9,528,793 B1 12/2016 Oglesby
 D783,760 S * 4/2017 Pavlick D22/108
 D783,761 S * 4/2017 Pavlick D22/108
 D785,126 S 4/2017 Barrett
 D785,743 S * 5/2017 Pavlick D22/108
 9,658,020 B2 5/2017 Daniel et al.
 D788,871 S 6/2017 Storch
 D789,476 S * 6/2017 Dustin D22/103
 9,700,996 B2 7/2017 Hensley et al.
 D797,232 S * 9/2017 Gibbens D22/108
 9,766,035 B2 9/2017 Storch
 D811,511 S 2/2018 Jenkinson et al.
 9,891,023 B2 * 2/2018 Compton F41G 11/003
 D815,237 S * 4/2018 Podgurny D22/108
 D834,113 S * 11/2018 Chu D21/574
 D844,094 S * 3/2019 Geissele D22/108
 10,352,635 B2 * 7/2019 Noonan F41A 5/30
 D862,629 S * 10/2019 Chambless D22/108
 D865,111 S * 10/2019 Storch D22/108
 10,480,896 B2 * 11/2019 Jen F41C 23/16
 2006/0174733 A1 8/2006 Hsieh
 2006/0260169 A1 11/2006 Samson
 2007/0261285 A1 11/2007 Troy
 2010/0212201 A1 8/2010 Kincel et al.
 2010/0269392 A1 10/2010 Swan
 2010/0319231 A1 * 12/2010 Stone F41C 23/16
 42/71.01
 2011/0000119 A1 1/2011 Desomma et al.
 2011/0061281 A1 3/2011 Kapusta et al.
 2011/0126443 A1 6/2011 Sirois
 2012/0317859 A1 12/2012 Brown
 2013/0180151 A1 7/2013 Moore
 2013/0219765 A1 8/2013 Iburguren
 2013/0284008 A1 10/2013 Pizano
 2014/0026459 A1 1/2014 Yan
 2014/0033590 A1 2/2014 Gomez
 2014/0075817 A1 3/2014 Gomez
 2014/0076150 A1 3/2014 Brinkmeyer
 2014/0130390 A1 5/2014 Geissele
 2015/0135573 A1 5/2015 DiChario
 2015/0247695 A1 9/2015 Jarboe
 2015/0316347 A1 11/2015 Shea et al.
 2015/0343627 A1 12/2015 Hensley
 2018/0128571 A1 * 5/2018 Leitner-Wise F41C 23/16
 2018/0259276 A1 * 9/2018 Doll F41A 3/66
 2019/0101355 A1 * 4/2019 Hubbell F41C 23/16
 2019/0162503 A1 * 5/2019 Keeney F41C 27/00
 2019/0162504 A1 * 5/2019 Keeney F41C 23/16
 2019/0162505 A1 * 5/2019 Mezynski F41C 23/16
 2019/0226799 A1 * 7/2019 Hubbell F41C 27/00
 2020/0103200 A1 * 4/2020 Williams F41G 11/003

OTHER PUBLICATIONS

CZ Scorpion 15" LW Rifle Handguard, posted at HBindustries, review posting date May 25, 2017. Site visited Mar. 6, 2019. URL: <<https://hbindustries.net/store/shop/cz-scorpion-15-lw-rifle-handguard/#reviews>> (Year: 2017).*

Eric B., Kriss Vector Modular Rail Handguard, posted at The Firearm Blog, posting date Aug. 23, 2017. Site visited Mar. 7, 2019. URL: <<https://www.thefirearmblog.com/blog/2017/08/23/kriss-vector-modular-rail-handguard/>> (Year: 2017).*

M-Lok Offset Light/Optic Mount, Magpul, [online], [site visited Sep. 13, 2016]. <URL: <https://www.magpul.com/products/m-lok-offset-light-optic-mount-aluminum/>>.

* cited by examiner

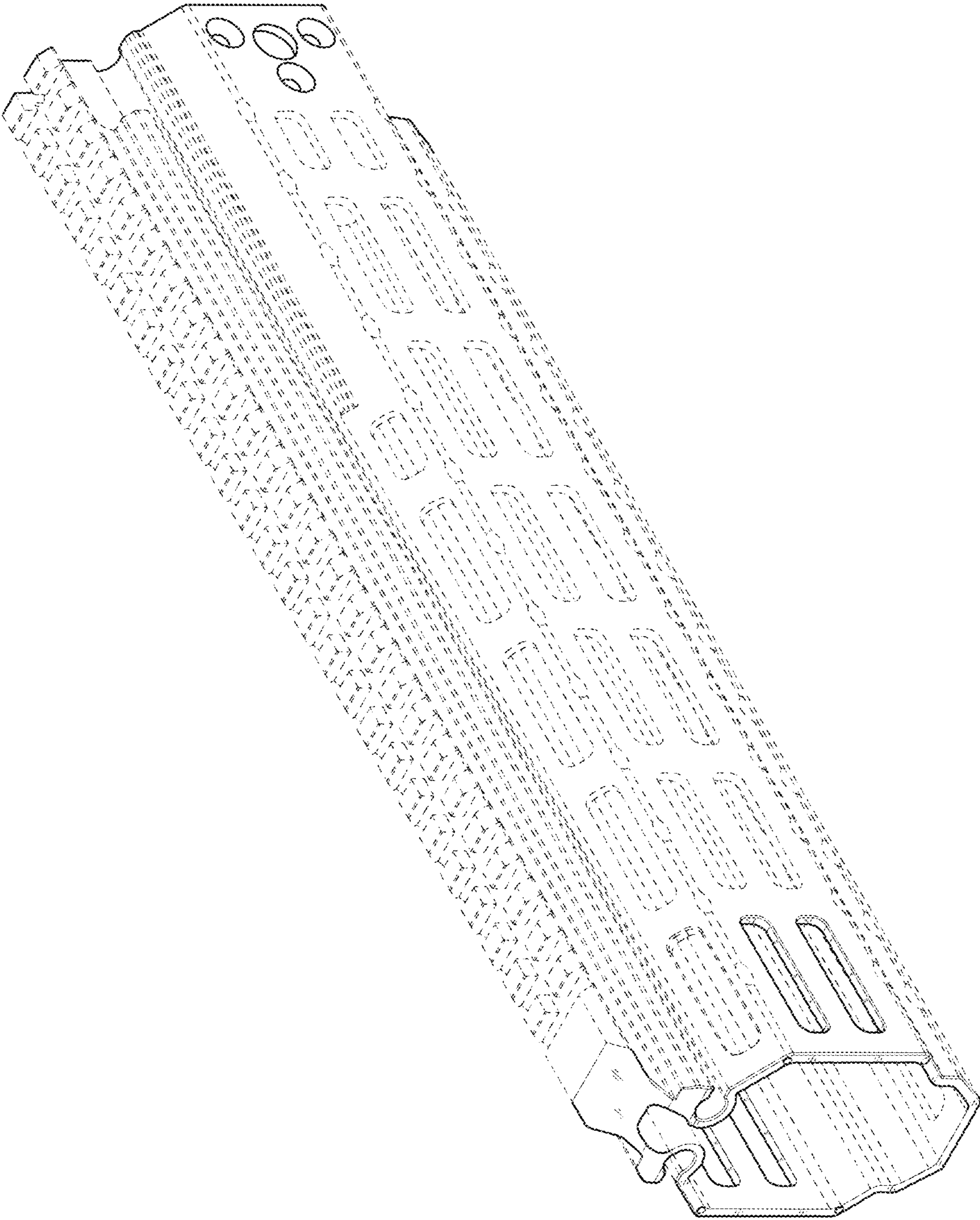


FIG. 1

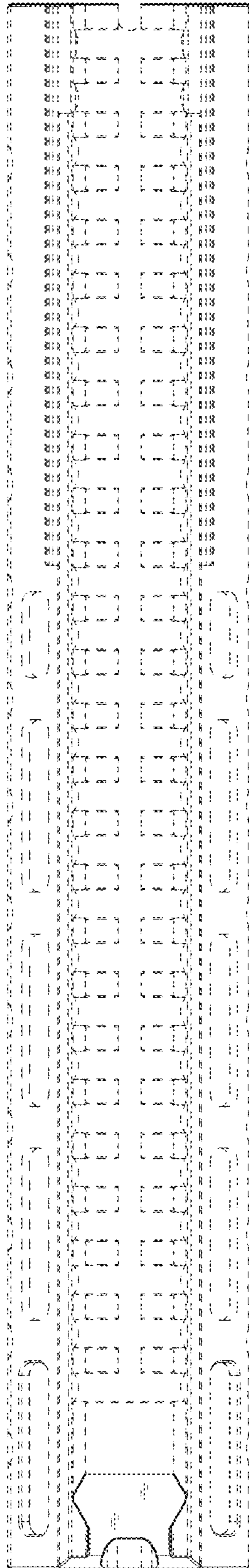


FIG. 2

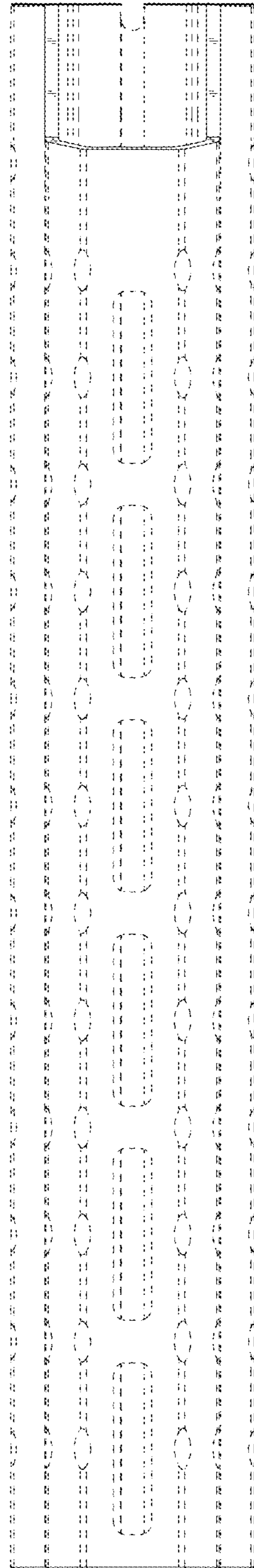


FIG. 3

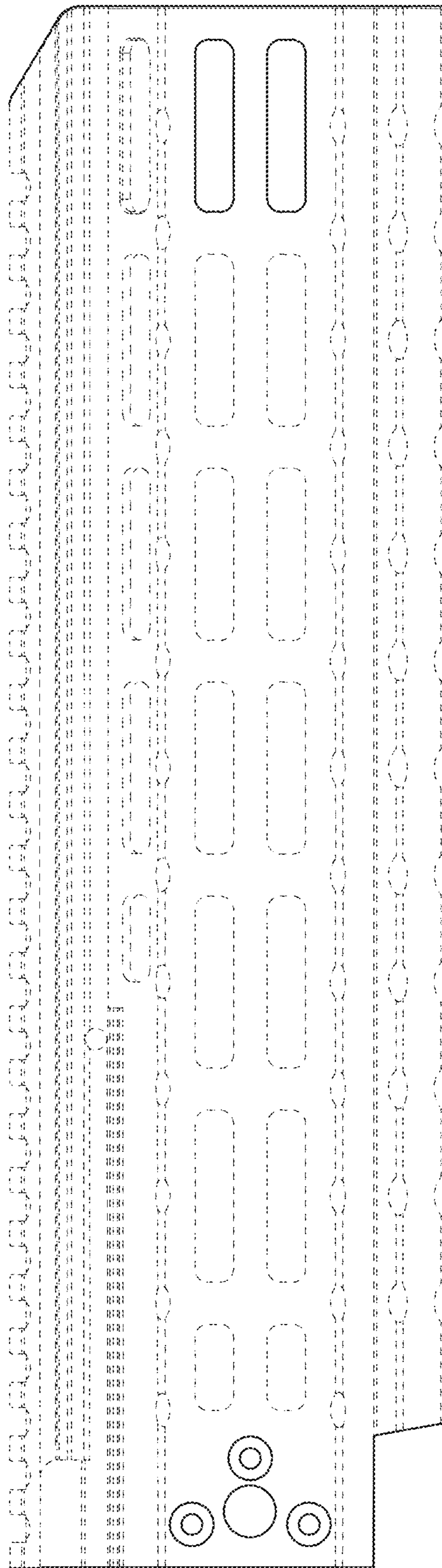


FIG. 4

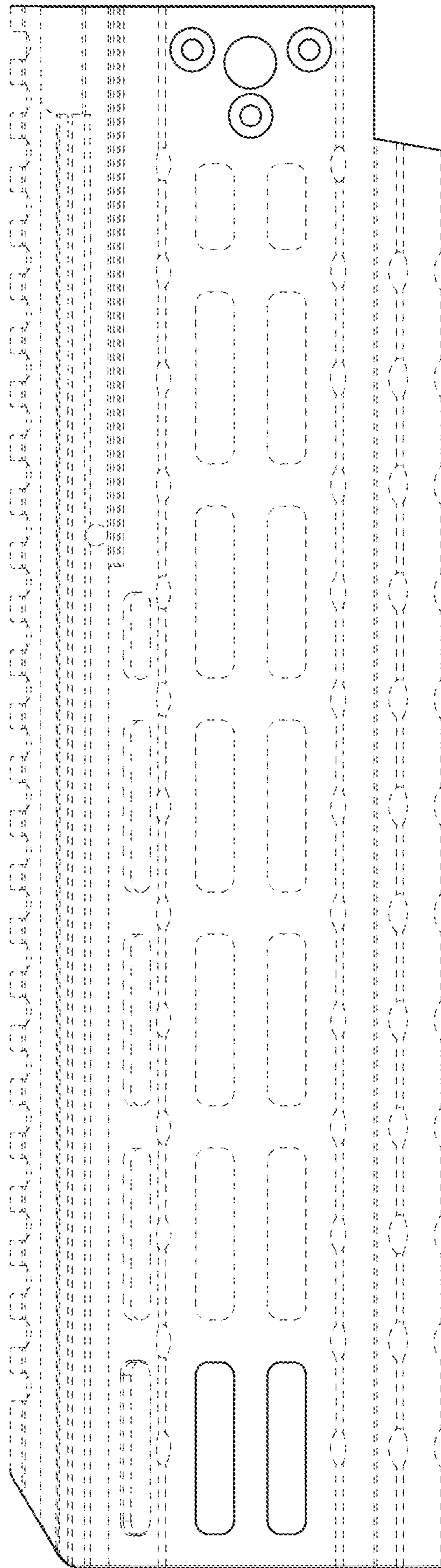


FIG. 5

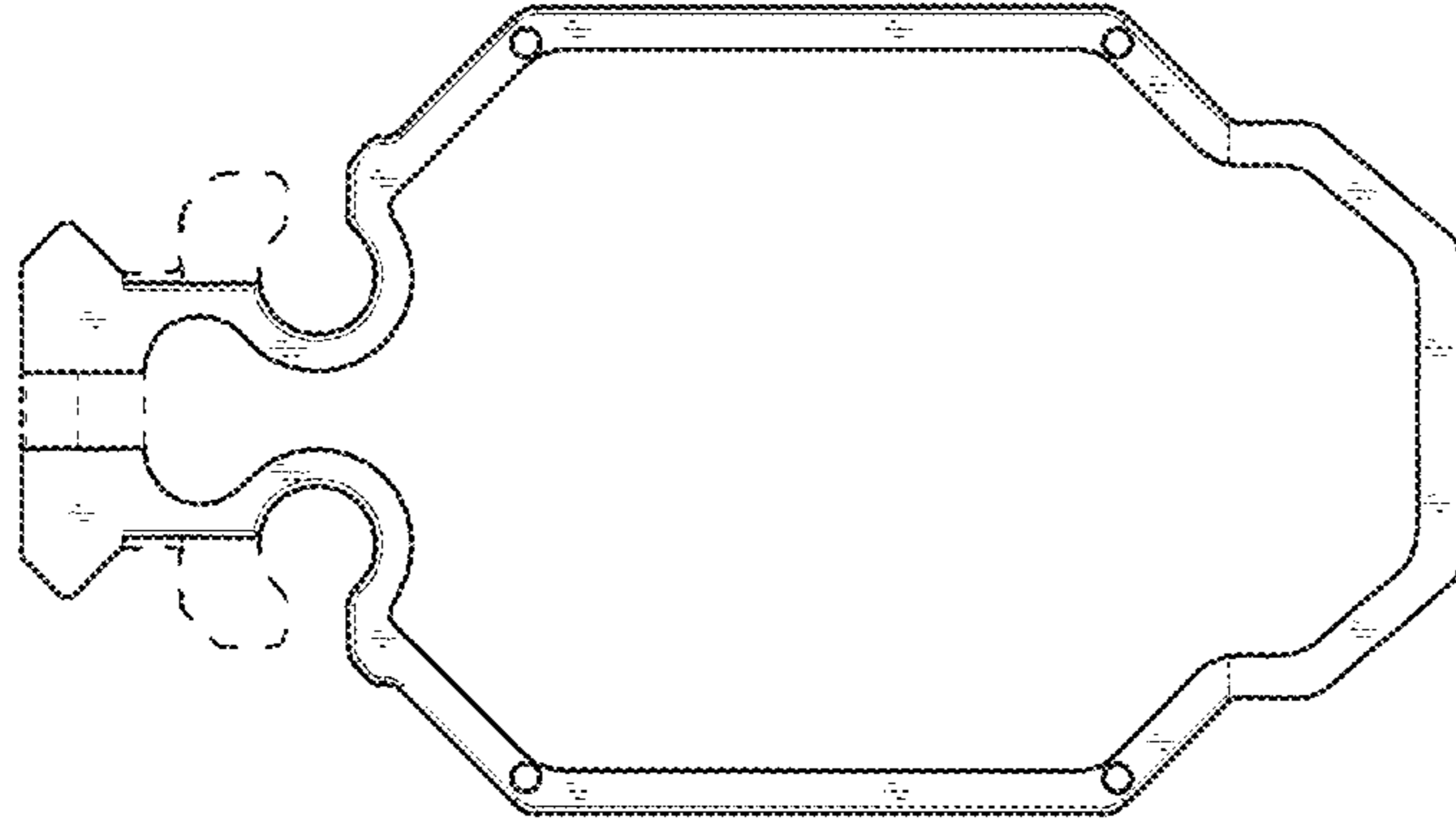


FIG. 7

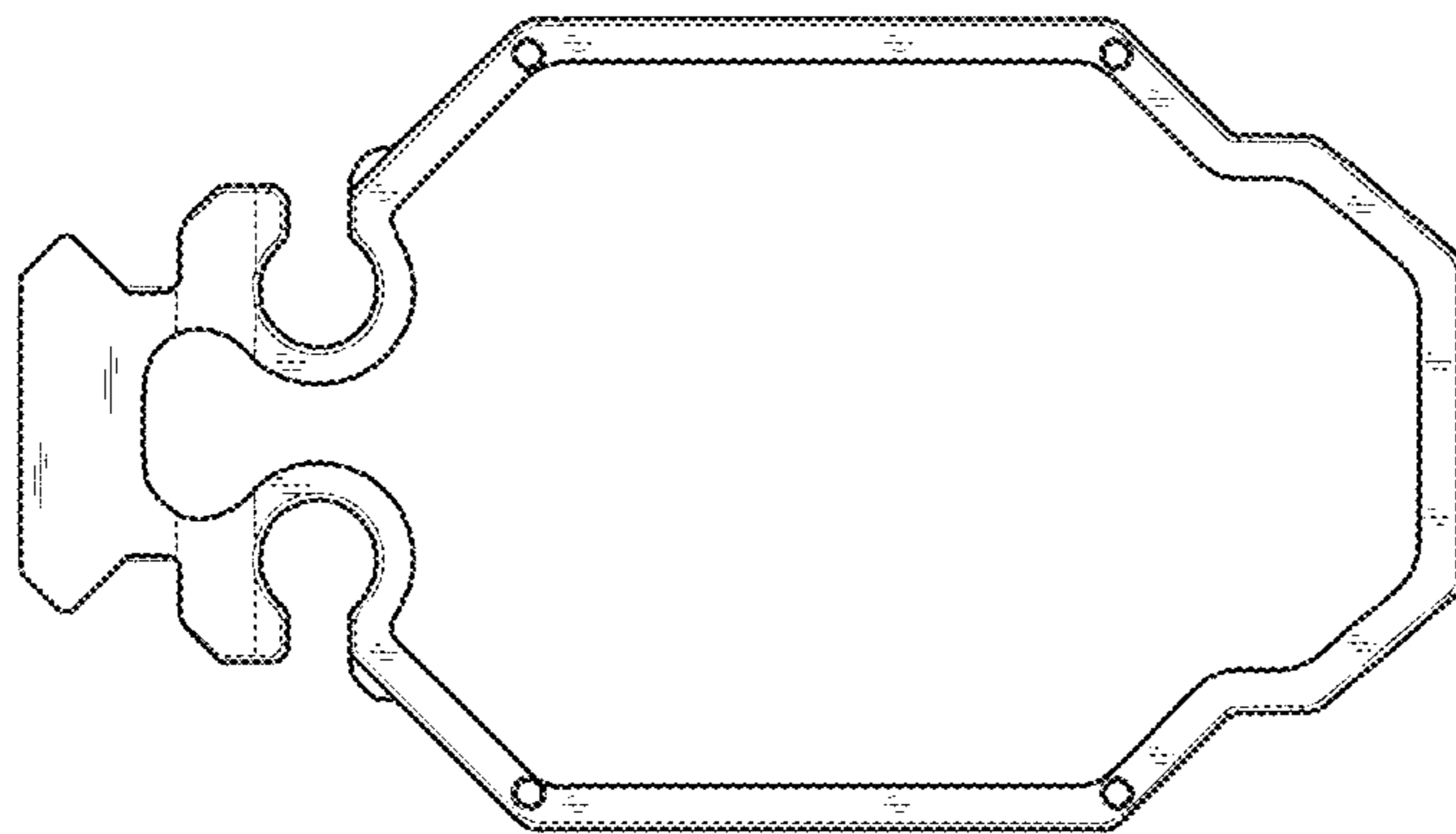


FIG. 6